



US00D770288S

(12) **United States Design Patent** (10) **Patent No.:** **US D770,288 S**
Verdura et al. (45) **Date of Patent:** **** *Nov. 1, 2016**

(54) **BOTTLE**

(71) Applicant: **The Coca-Cola Company**, Atlanta, GA (US)

(72) Inventors: **Javier Verdura**, Rancho Palos Verdes, CA (US); **Daniel Peter Sterling**, Norwalk, CT (US); **John Kevin Clay**, Milford, CT (US)

(73) Assignee: **The Coca-Cola Company**, Atlanta, GA (US)

(*) Notice: This patent is subject to a terminal disclaimer.

(**) Term: **14 Years**

(21) Appl. No.: **29/457,022**

(22) Filed: **Jun. 6, 2013**

(51) **LOC (10) Cl.** **09-01**

(52) **U.S. Cl.**
USPC **D9/516**; D9/538; D9/539; D9/556; D9/571

(58) **Field of Classification Search**
USPC D9/502, 516, 537-540, 549-552, D9/556-558, 571, 575; 215/381-384; 220/606, 670, 674-675; D7/509-511
See application file for complete search history.

(56) **References Cited**

U.S. PATENT DOCUMENTS

4,082,200	A	*	4/1978	Guest	B65D 23/001
						215/12.1
D379,151	S	*	5/1997	Stevens	D9/538 X
D379,306	S	*	5/1997	Peykoff	D9/502
D414,112	S	*	9/1999	Waggaman	D9/557 X
D448,673	S	*	10/2001	Bretz	D9/538
D508,207	S	*	8/2005	Knight	D9/550
D524,159	S	*	7/2006	Mooney	D9/516
D527,270	S	*	8/2006	Ungrady	D9/538
D530,619	S	*	10/2006	Stockwell	D9/551

D535,885	S	*	1/2007	Davis	D9/558 X
D547,664	S	*	7/2007	Davis	D9/539 X
D559,112	S	*	1/2008	Hyde	D9/571 X
D561,596	S	*	2/2008	Hyde	D9/571 X
D568,751	S	*	5/2008	Boon	D9/551 X
D572,599	S	*	7/2008	Melrose	D9/539
D573,030	S	*	7/2008	Boon	D9/539
D575,158	S	*	8/2008	Boon	D9/516
D584,630	S	*	1/2009	Darr	D9/538
7,581,654	B2	*	9/2009	Stowitts	B65D 1/0223
						215/382 X
D625,607	S	*	10/2010	Heisner	D9/539
8,182,683	B1	*	5/2012	Allen	C02F 1/003
						210/244
D661,196	S	*	6/2012	Heisner	D9/538
D663,620	S	*	7/2012	Lepoitevin	D9/516
D679,142	S	*	4/2013	Allen	D7/510
D692,764	S	*	11/2013	Rhodes	D9/516
D705,071	S	*	5/2014	Abend	D9/538
D712,270	S	*	9/2014	Maquita Nakano	D9/552 X
D741,187	S	*	10/2015	Didier	D9/556 X
D743,263	S	*	11/2015	Pedmo	D9/557 X

* cited by examiner

Primary Examiner — Carol P Rademaker

(74) *Attorney, Agent, or Firm* — Cynthia R. Parks; Parks IP Law LLC

(57) **CLAIM**

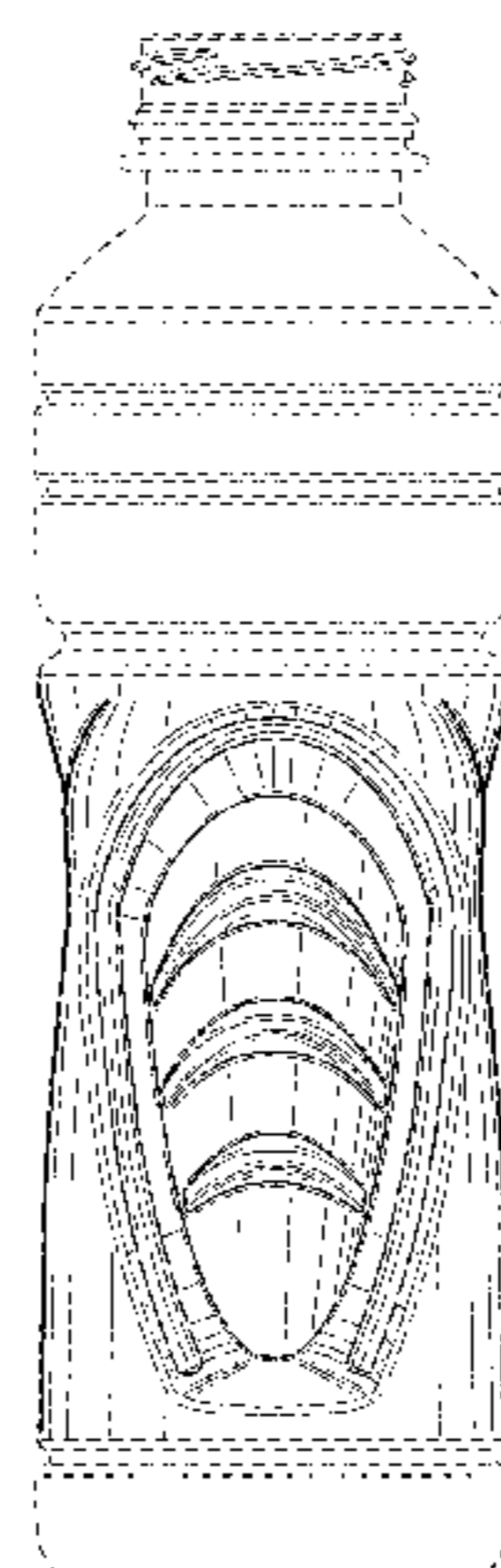
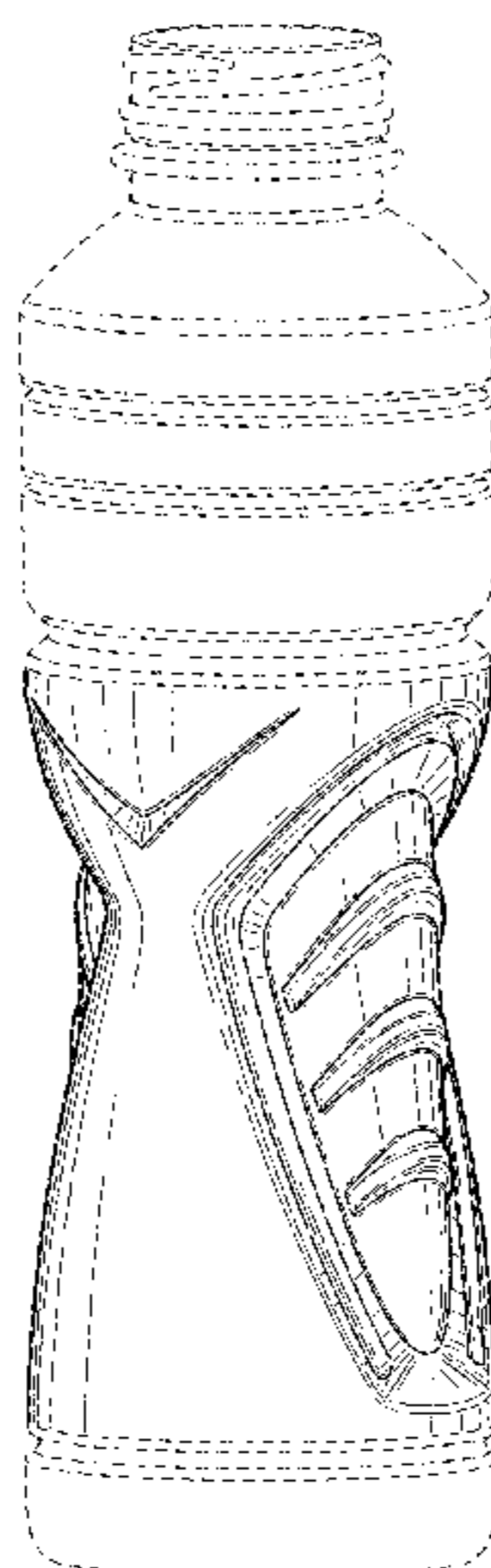
We claim the ornamental design for a bottle, as shown and described.

DESCRIPTION

FIG. 1 is a top, front, and right side perspective view of a bottle in accordance with our new design; FIG. 2 is a front elevational view thereof; FIG. 3 is a back elevational view thereof; FIG. 4 is a right side elevational view thereof; FIG. 5 is a left side elevational view thereof; FIG. 6 is a top plan view thereof; and, FIG. 7 is a bottom plan view thereof.

The broken lines shown in the drawings are included for the purpose of illustrating portions of the bottle that form no part of the claimed design.

1 Claim, 4 Drawing Sheets



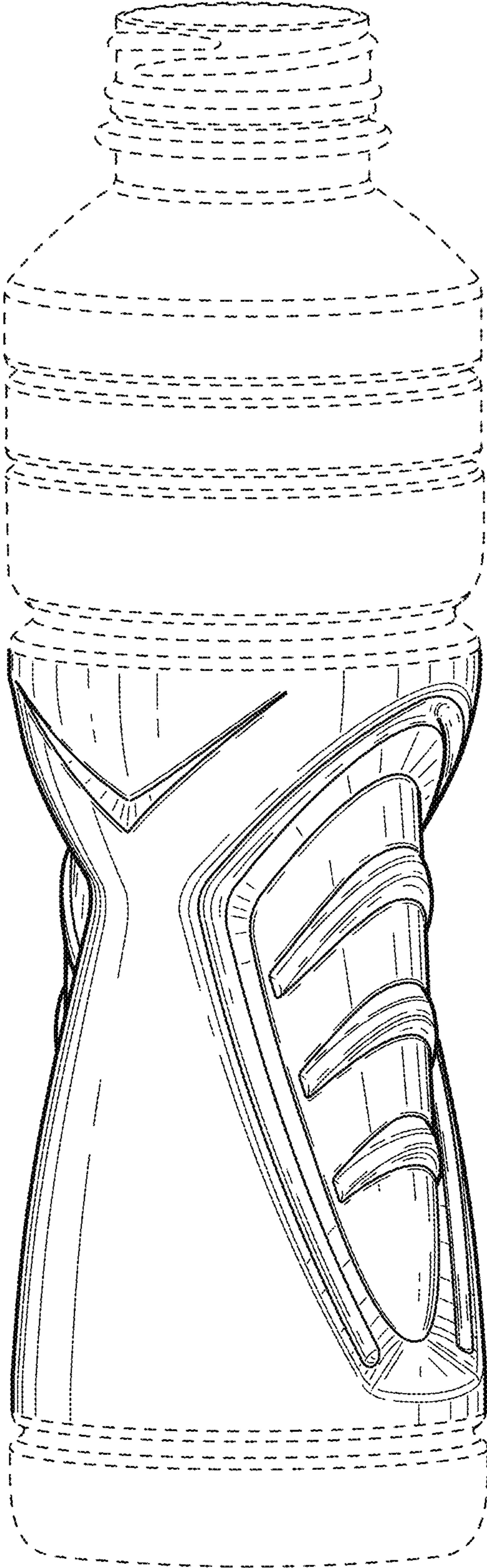


FIG. 1

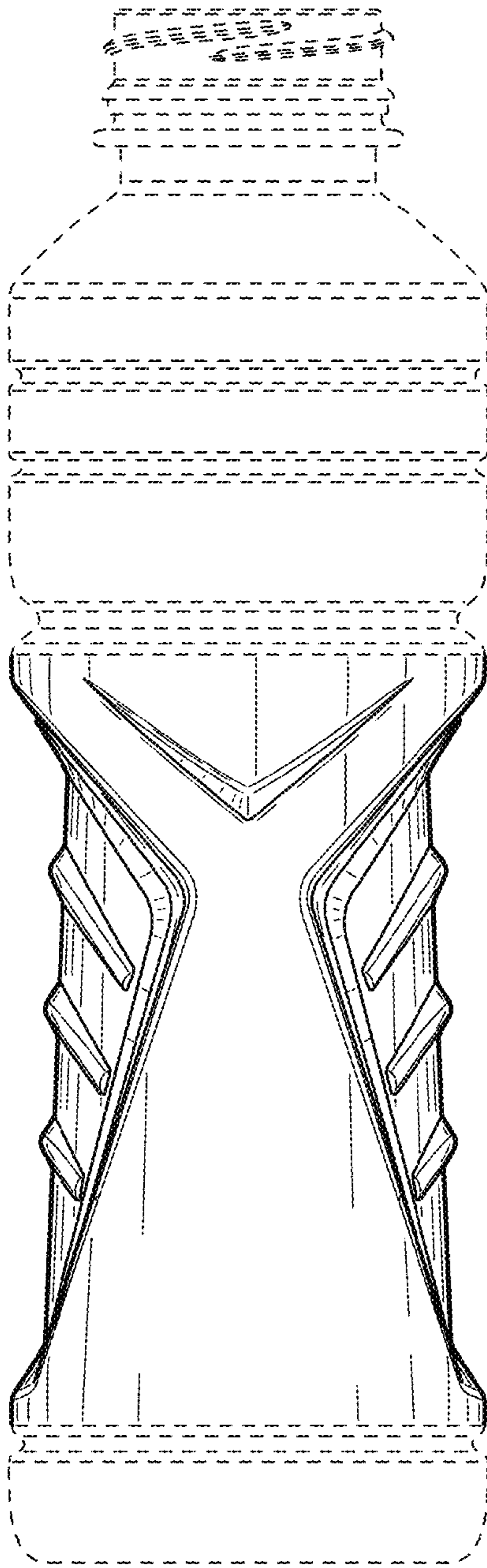


FIG. 2

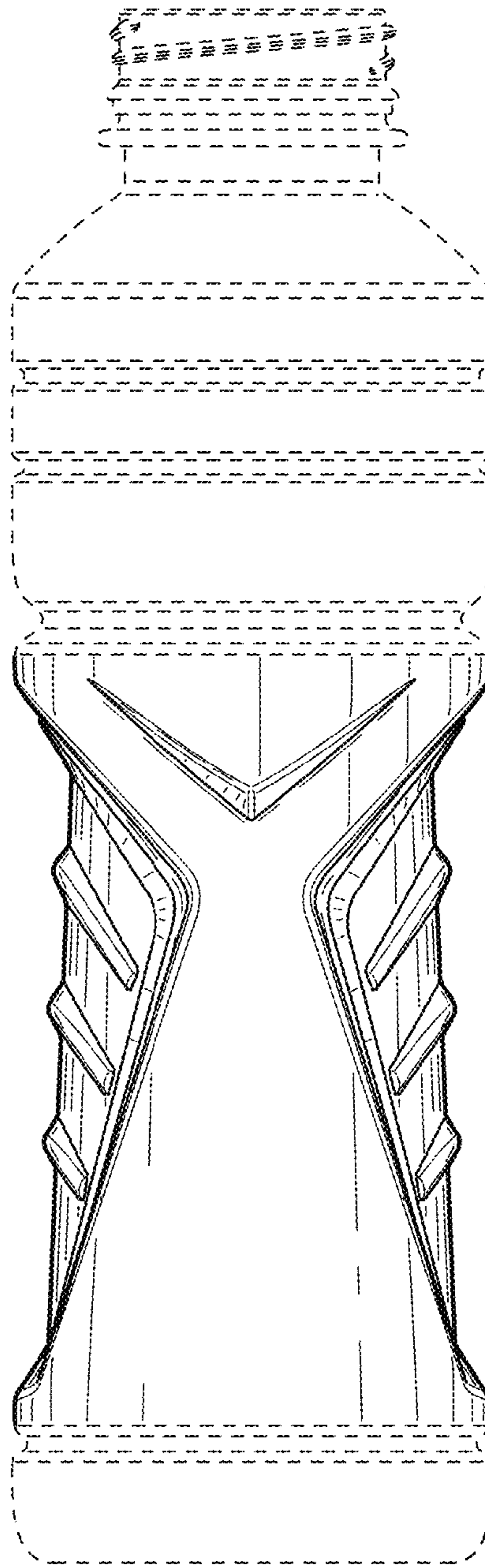


FIG. 3

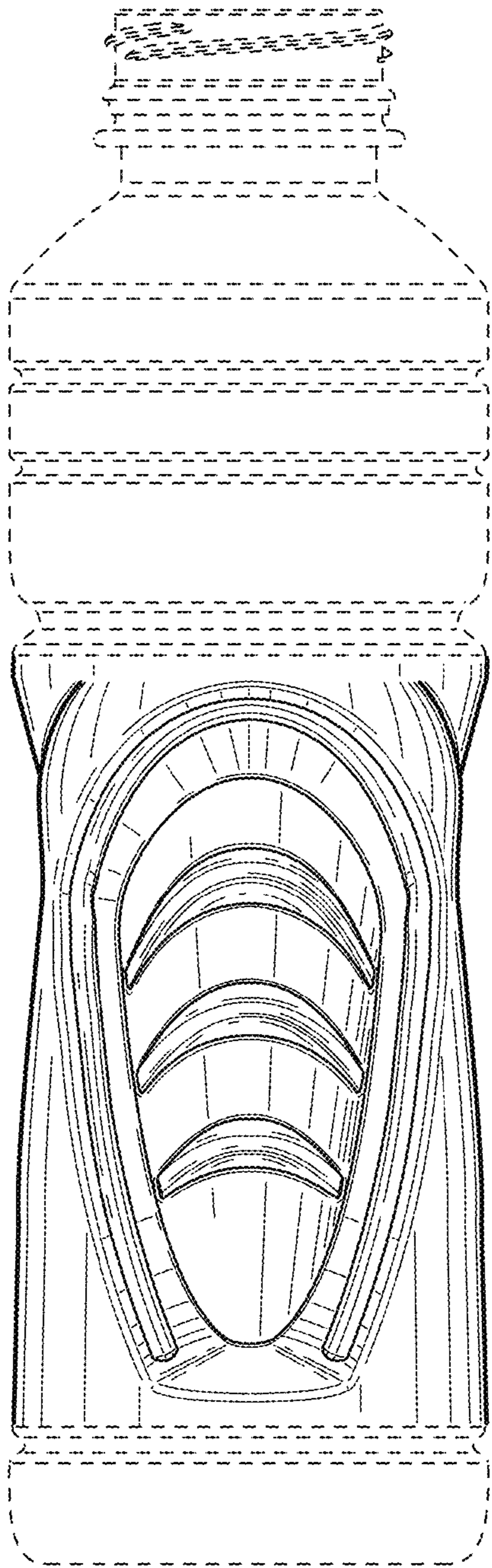


FIG. 4

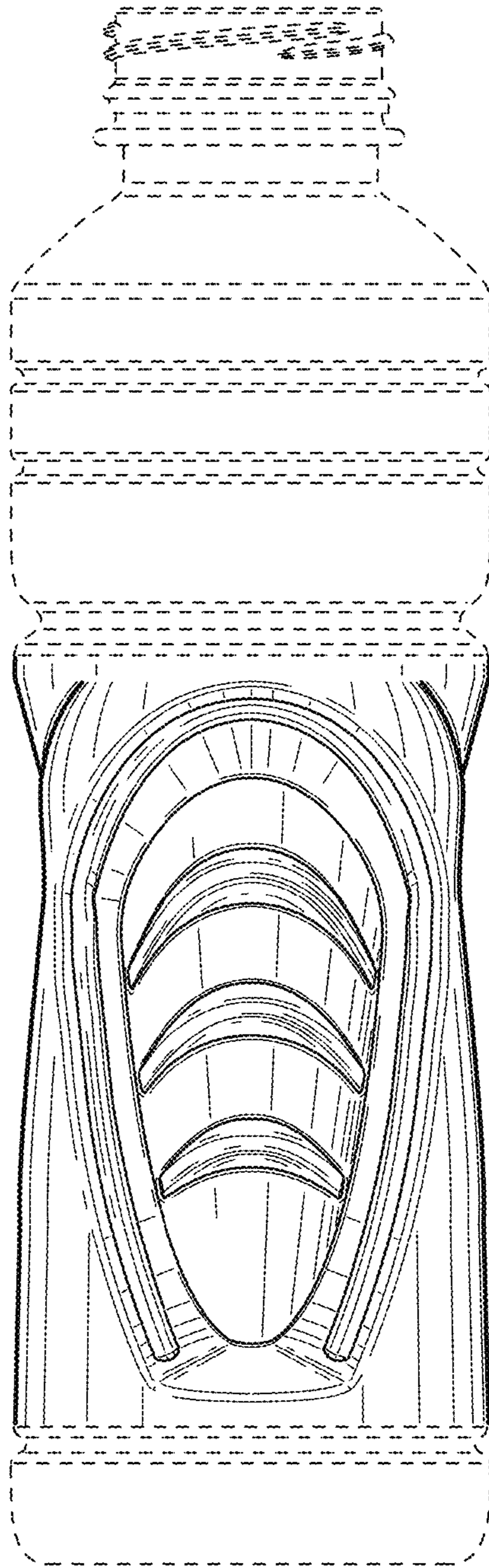


FIG. 5

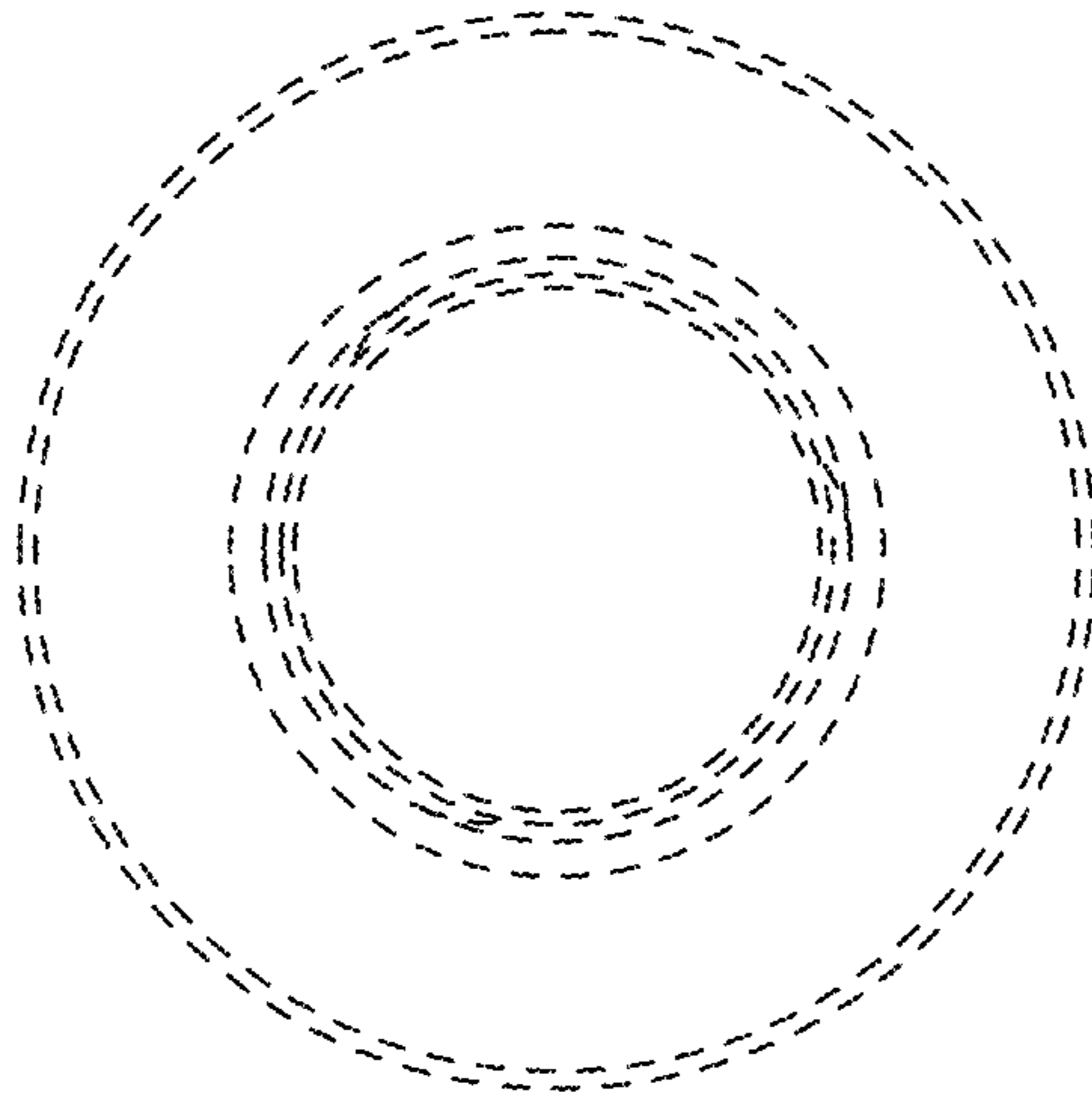


FIG. 6

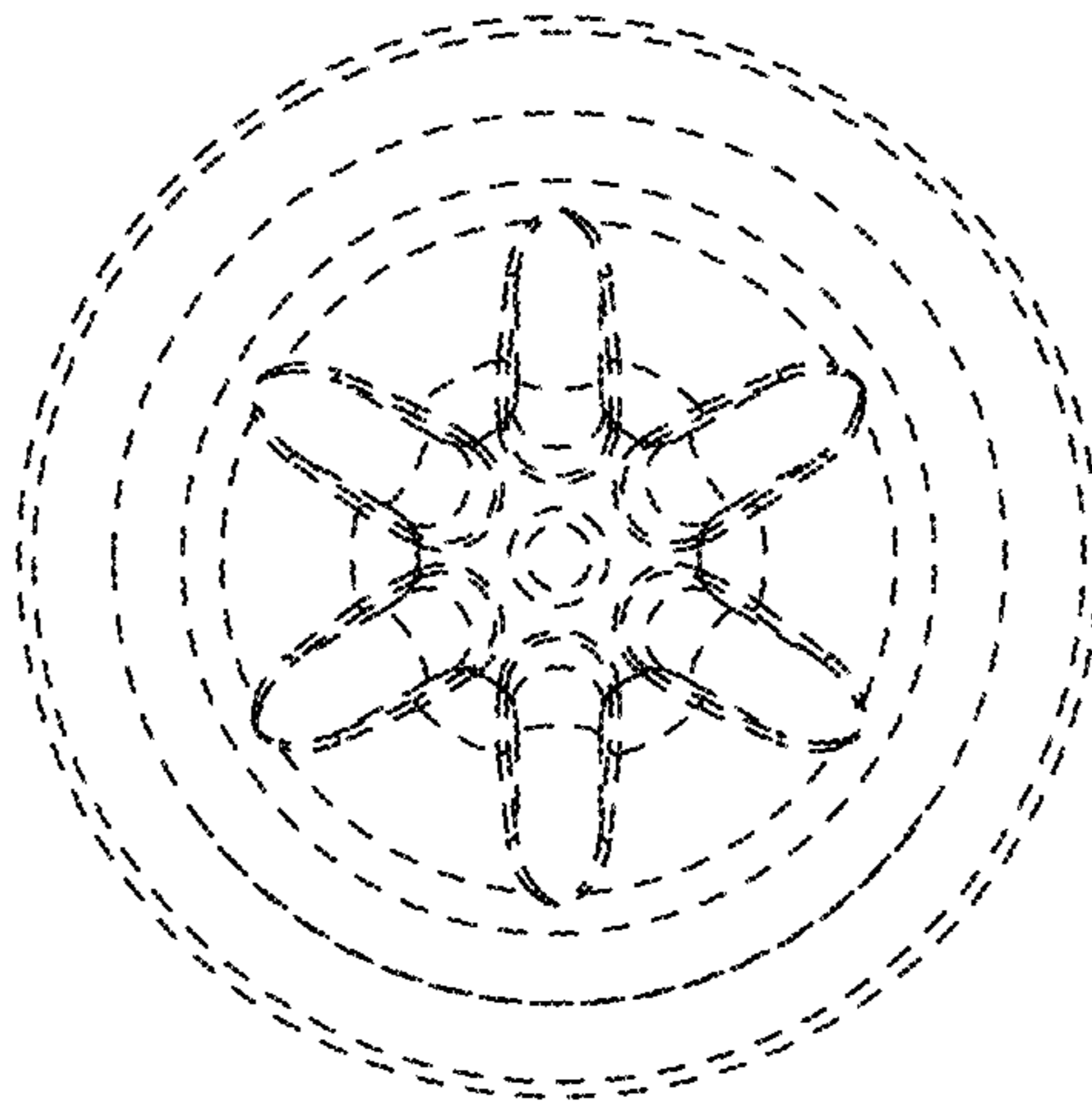


FIG. 7