



US00D770287S

(12) **United States Design Patent**  
**Holaschke**

(10) **Patent No.:** **US D770,287 S**

(45) **Date of Patent:** **\*\* Nov. 1, 2016**

(54) **BOTTLE**

(71) Applicant: **Ivoclar Vivadent AG**, Schaan (LI)

(72) Inventor: **Sebastian Holaschke**, Lauterach (AT)

(73) Assignee: **Ivoclar Vivadent AG**, Schaan (LI)

(\*\*) Term: **14 Years**

(21) Appl. No.: **29/500,051**

(22) Filed: **Aug. 21, 2014**

(30) **Foreign Application Priority Data**

Feb. 27, 2014 (WO) ..... 796813301

(51) **LOC (10) Cl.** ..... **09-01**

(52) **U.S. Cl.**  
USPC ..... **D9/503**; D9/558; D9/453; D9/454

(58) **Field of Classification Search**  
USPC ..... D9/434, 435, 452-454, 500, 503, 504,  
D9/516, 529, 549, 558, 682, 684, 686, 688,  
D9/690, 692, 715, 719, 723, 724  
CPC ..... B65D 85/816; B65D 51/1683; B65D  
5/5097; B65D 2251/0018; B65D 2251/0081;  
B65D 51/2814; B65D 81/3227  
See application file for complete search history.

(56) **References Cited**

**U.S. PATENT DOCUMENTS**

D167,213 S \* 7/1952 Lapin ..... D9/690  
D264,939 S \* 6/1982 Stock ..... D24/115  
D264,940 S \* 6/1982 Stock ..... D24/115  
D328,244 S \* 7/1992 Hamilton ..... D24/110  
D343,791 S \* 2/1994 Pitaknarongphorn ..... D9/447  
5,588,559 A \* 12/1996 Vallet Mas ..... A61J 1/1443  
210/445  
D447,561 S \* 9/2001 Rudzena ..... D24/121  
D447,949 S \* 9/2001 Richardson ..... D9/435  
D543,118 S \* 5/2007 Poisson ..... D9/724  
D544,957 S \* 6/2007 Bloc ..... D24/110  
D564,357 S \* 3/2008 Kapoor ..... D9/503

D603,710 S \* 11/2009 Wilson ..... D9/454  
7,757,901 B2 \* 7/2010 Welp ..... B05B 11/0032  
222/153.13  
D663,038 S \* 7/2012 Enghard ..... D24/197  
D672,253 S \* 12/2012 Lee ..... D9/724  
D673,283 S \* 12/2012 Mitchell ..... D24/197  
D705,070 S \* 5/2014 Zheng ..... D9/523  
D707,566 S \* 6/2014 Serrano ..... D9/724  
D711,542 S \* 8/2014 Pierson ..... D24/176  
D732,975 S \* 6/2015 Hua ..... D9/724

(Continued)

*Primary Examiner* — Ian Simmons

*Assistant Examiner* — Keith Frank

(74) *Attorney, Agent, or Firm* — Ann M. Knab; Thad  
McMurray

(57) **CLAIM**

The ornamental design for a bottle, as shown and described.

**DESCRIPTION**

FIG. 1 is a perspective view of a bottle showing our new design.

FIG. 2 is a left side view thereof.

FIG. 3 is a right side view thereof.

FIG. 4 is a front view thereof.

FIG. 5 is a rear view thereof.

FIG. 6 is a top view thereof.

FIG. 7 is a bottom view thereof.

FIG. 8 is a perspective view of a bottle without a cap showing our new design.

FIG. 9 is a left side view thereof.

FIG. 10 is a right side view thereof.

FIG. 11 is a front view thereof.

FIG. 12 is a rear view thereof.

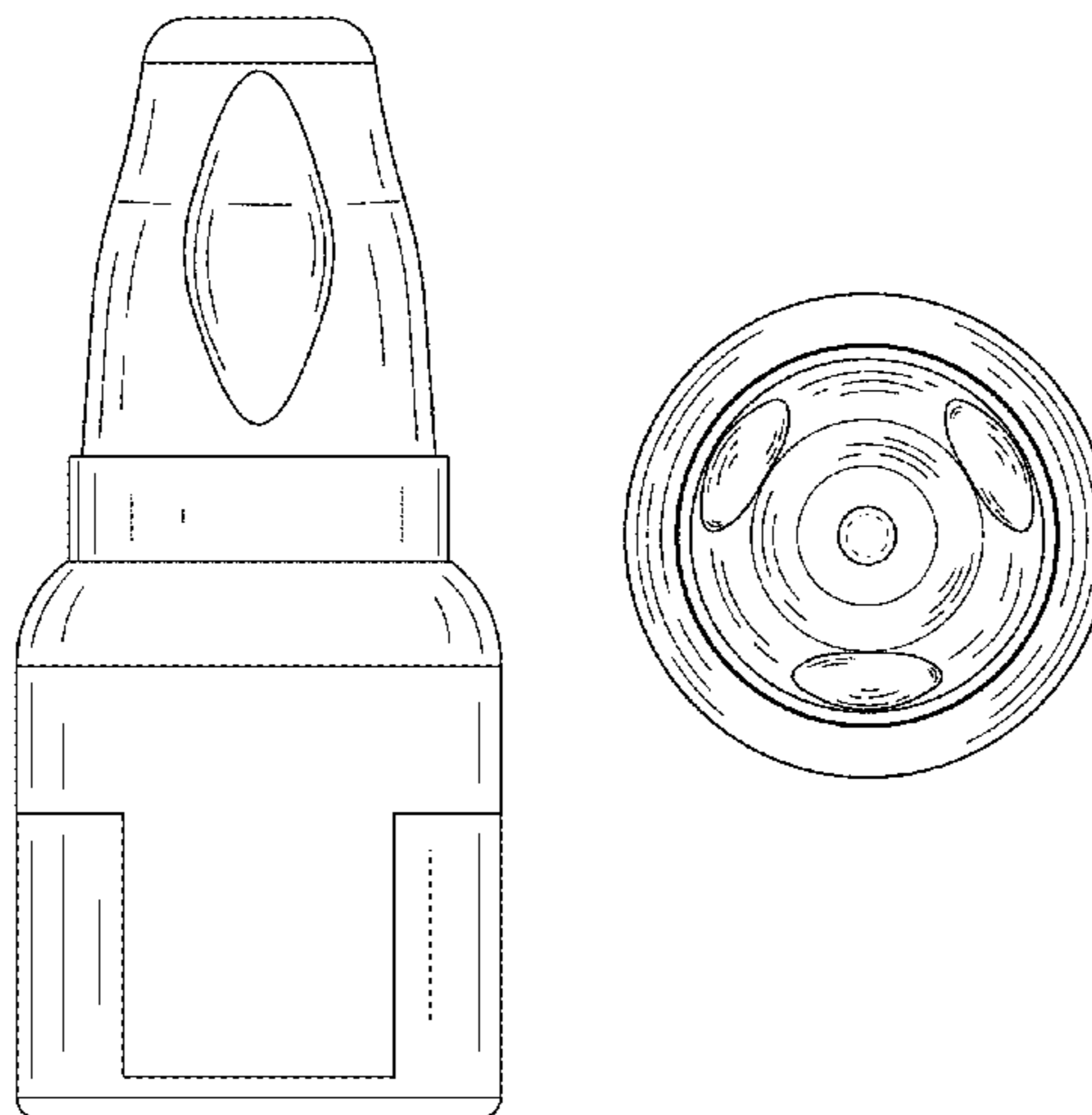
FIG. 13 is a top view thereof.

FIG. 14 is a bottom view thereof; and,

FIG. 15 is a perspective view of the bottle and the cap off the bottle showing our new design.

The broken lines in the drawings illustrate the portions of the bottle that form no part of the claimed design.

**1 Claim, 15 Drawing Sheets**



# US D770,287 S

Page 2

---

(56)

## References Cited

D743,269 S \* 11/2015 Pape ..... D9/550  
2010/0145287 A1\* 6/2010 Grevin ..... A61F 9/0008  
604/295

### U.S. PATENT DOCUMENTS

D736,906 S \* 8/2015 Schultz ..... D24/108  
D742,019 S \* 10/2015 Montgomery ..... D24/197 \* cited by examiner

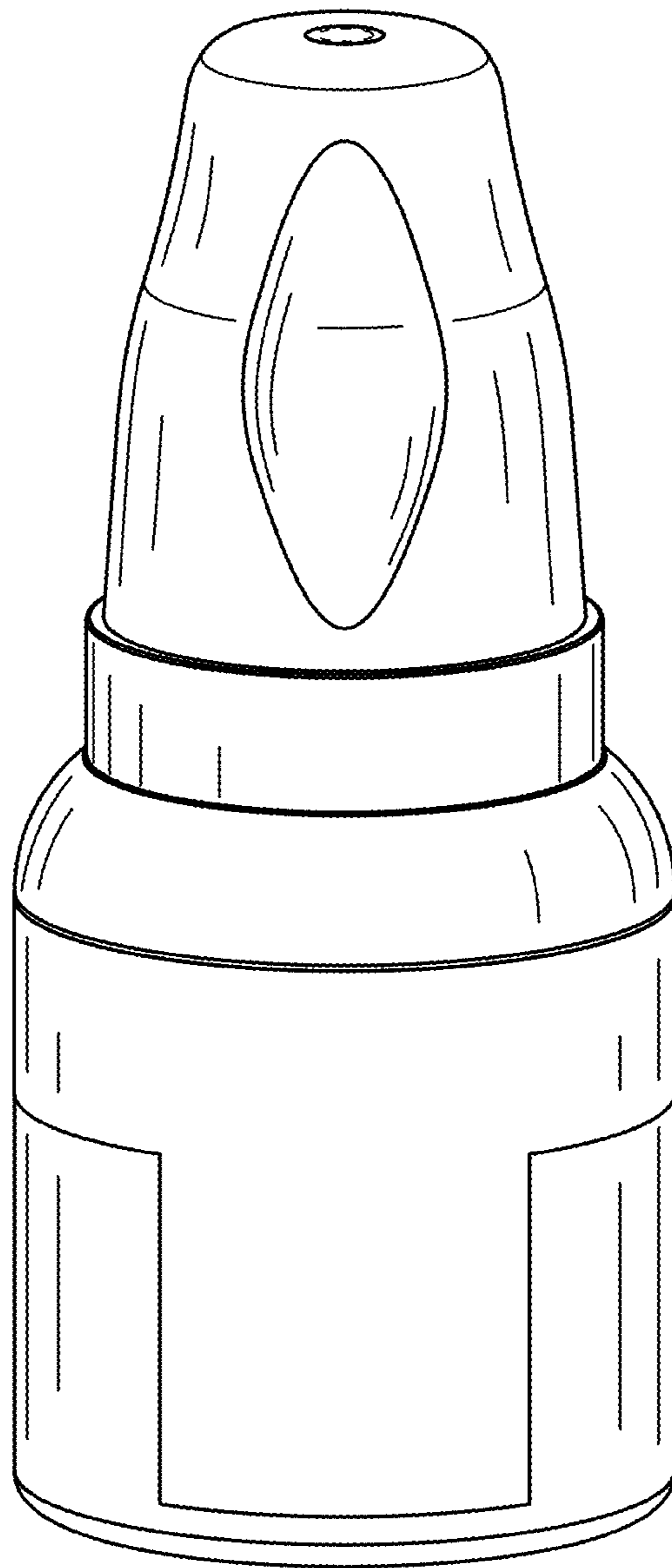


Fig. 1

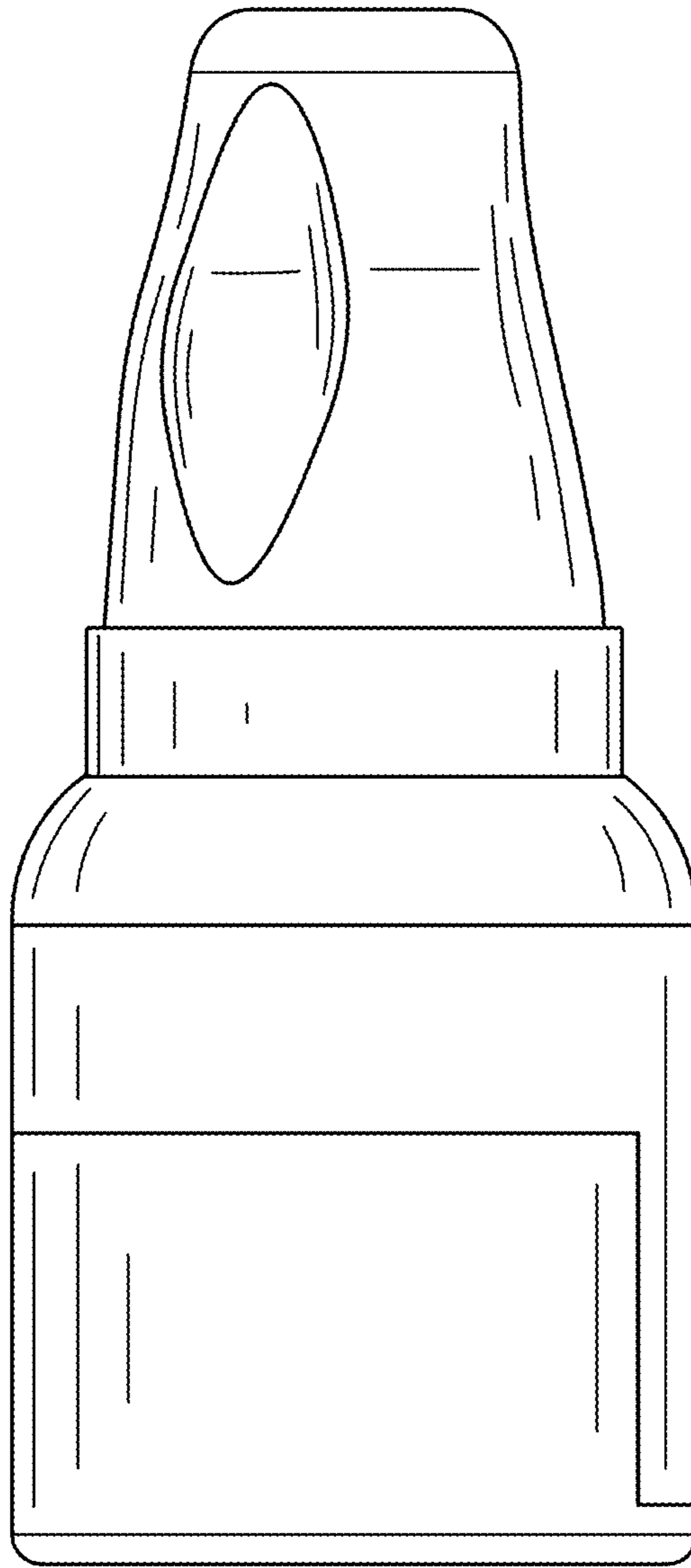


Fig. 2

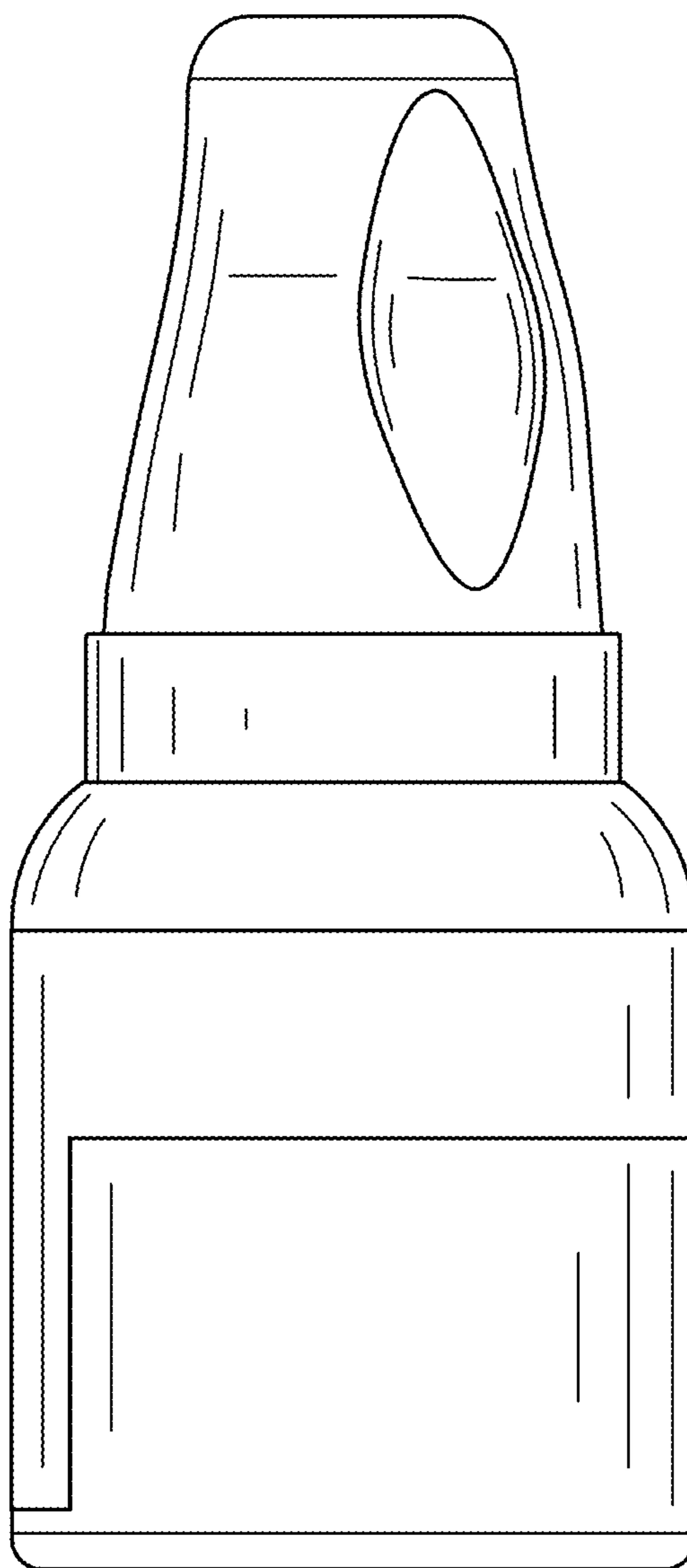


Fig. 3

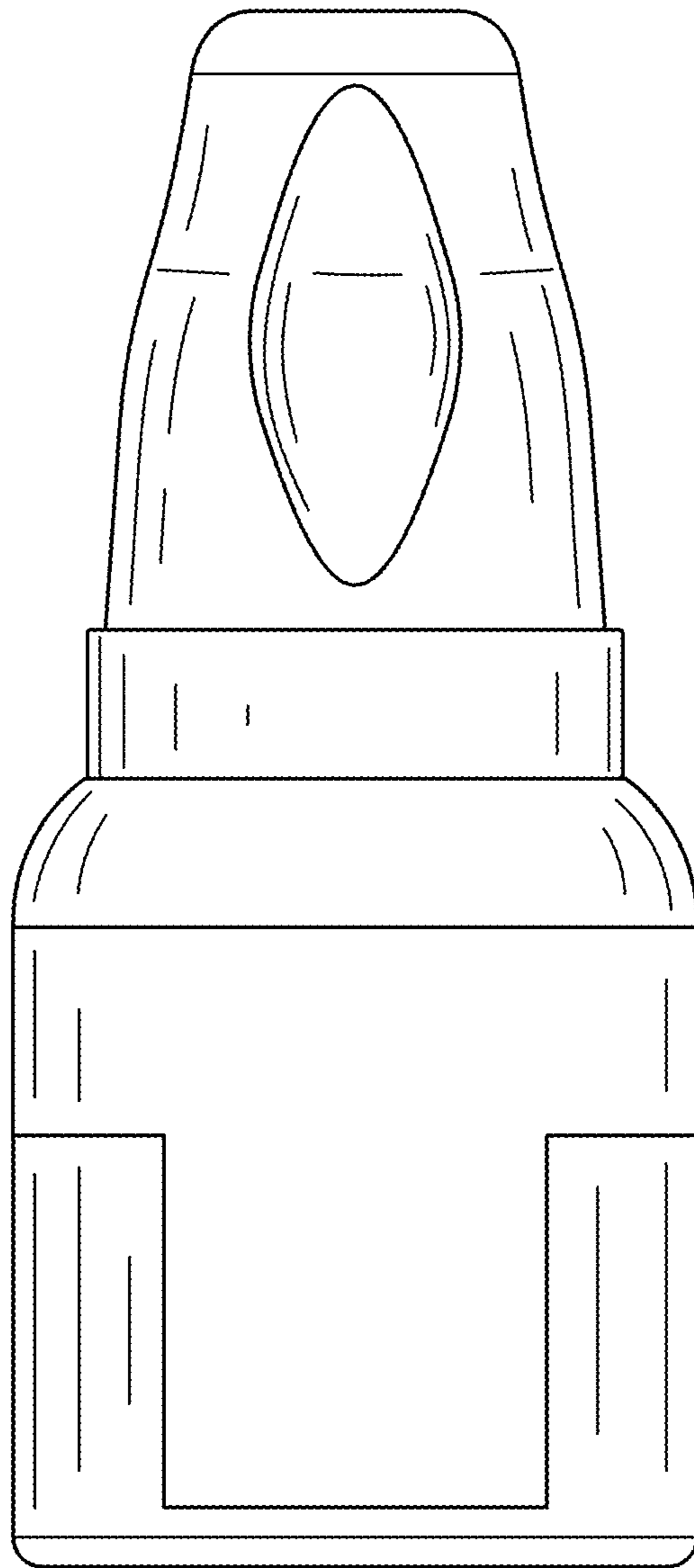


Fig. 4

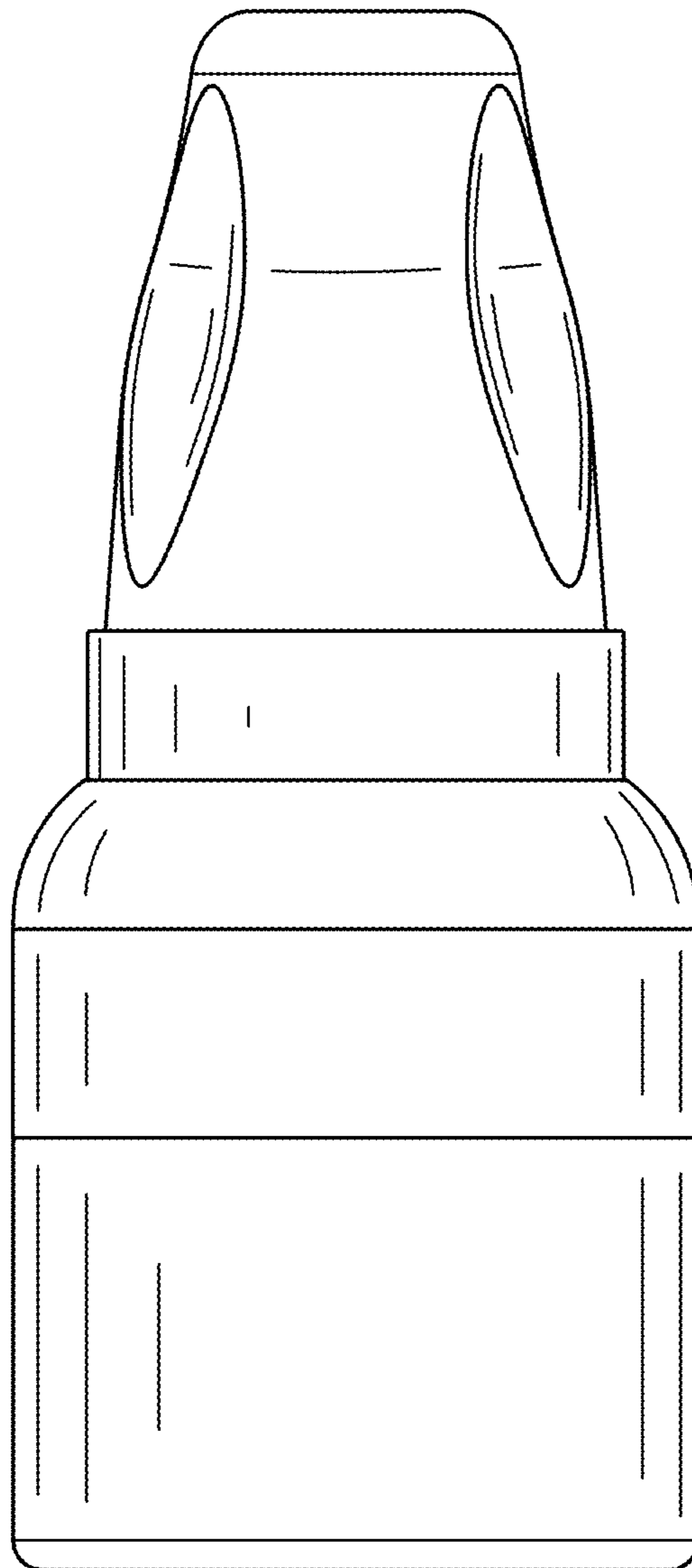


Fig. 5

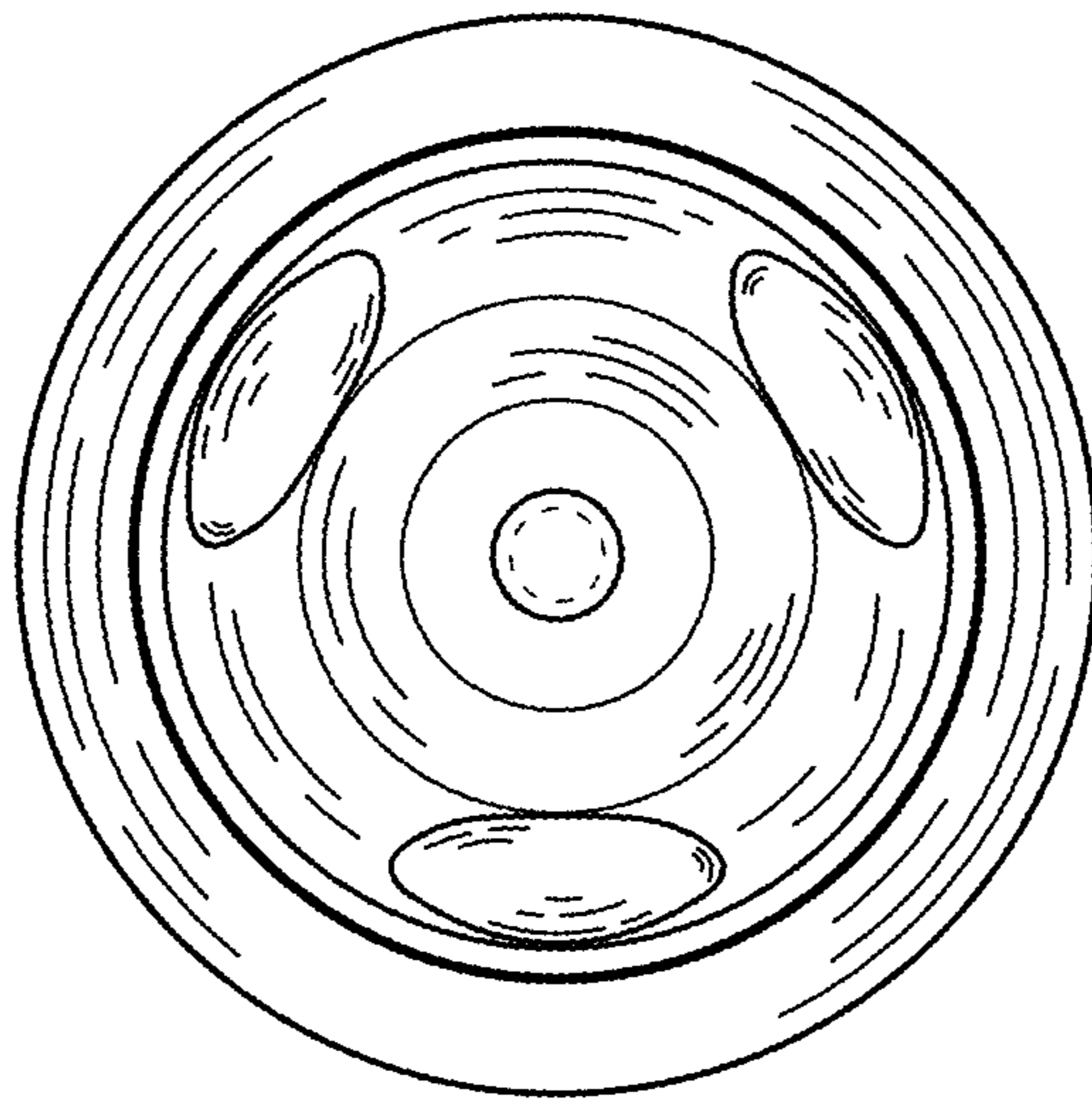


Fig. 6



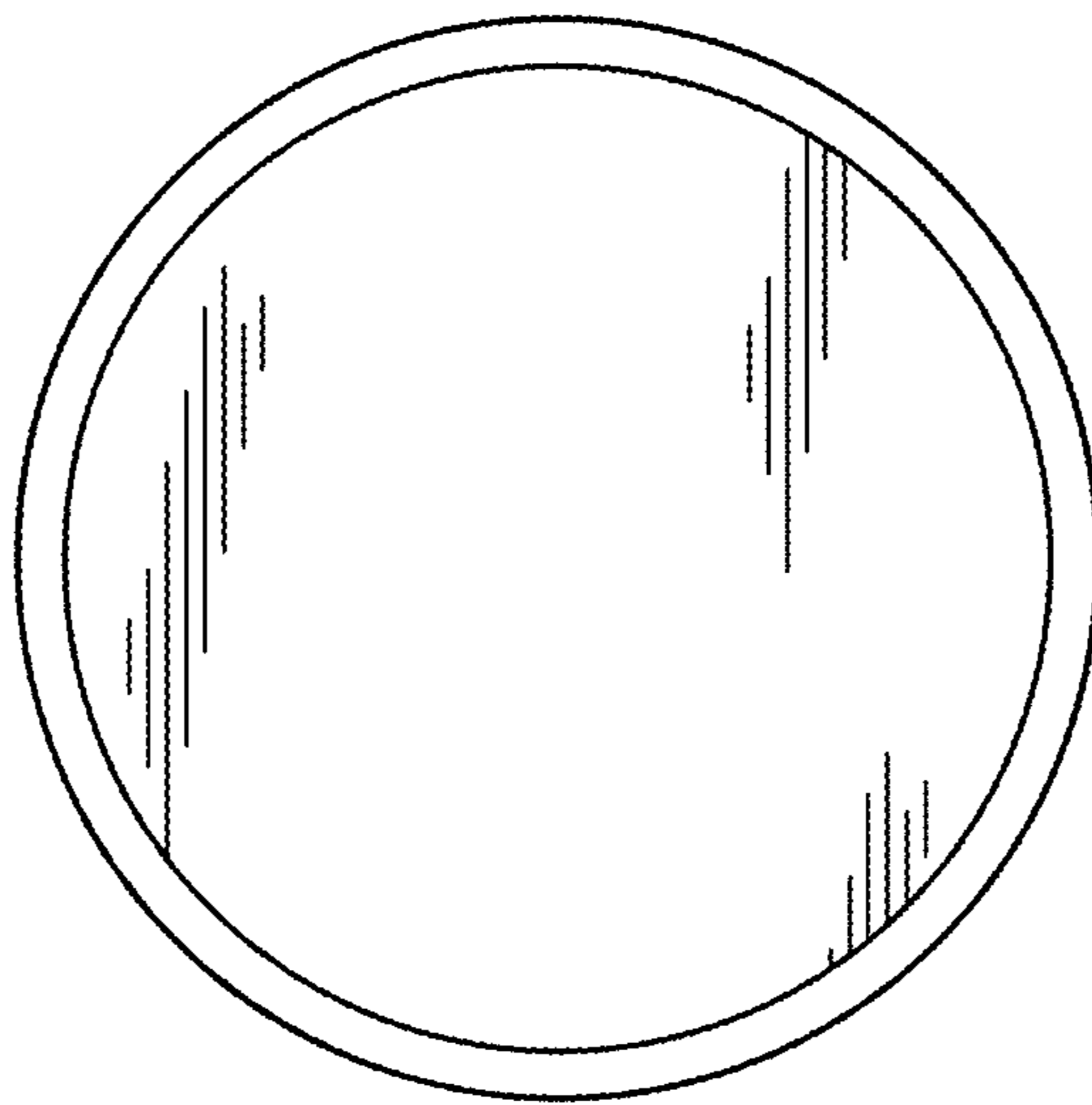


Fig. 7

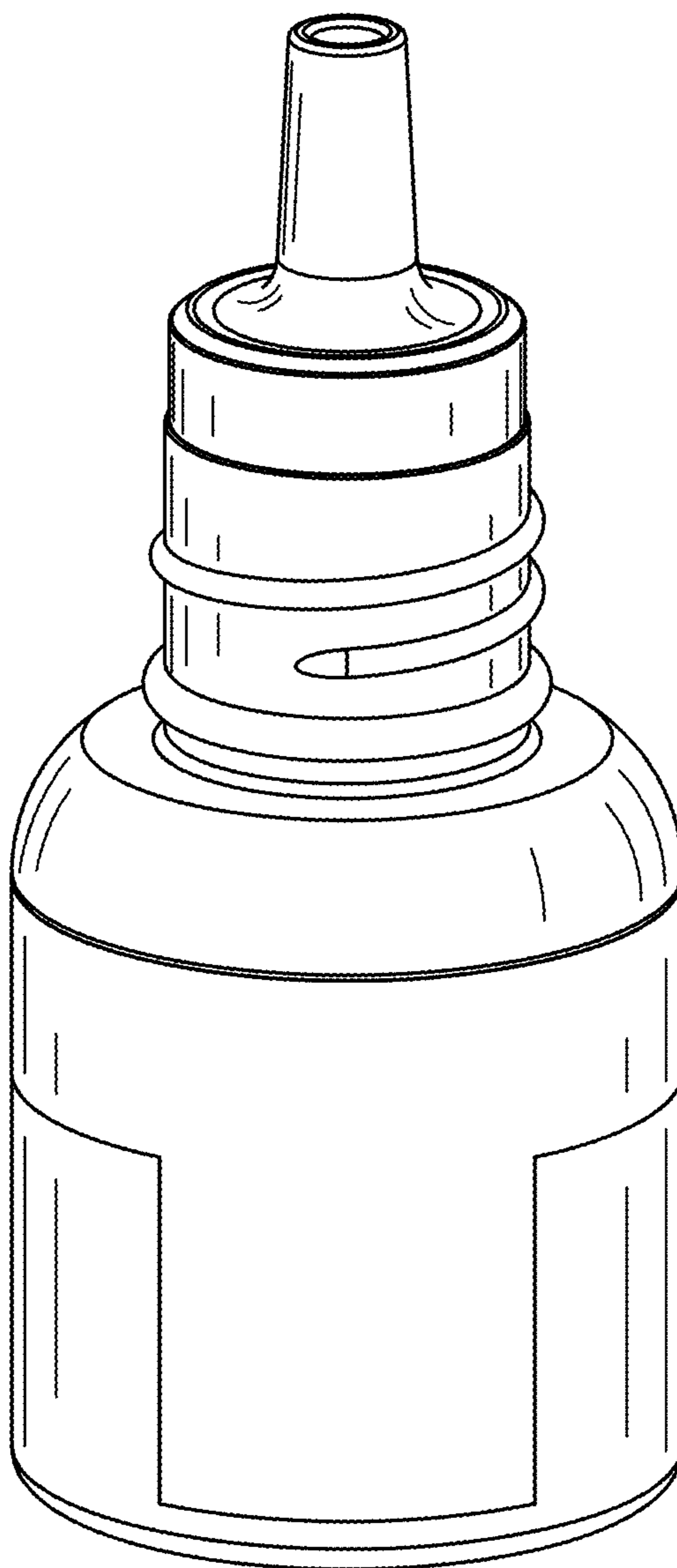


Fig. 8

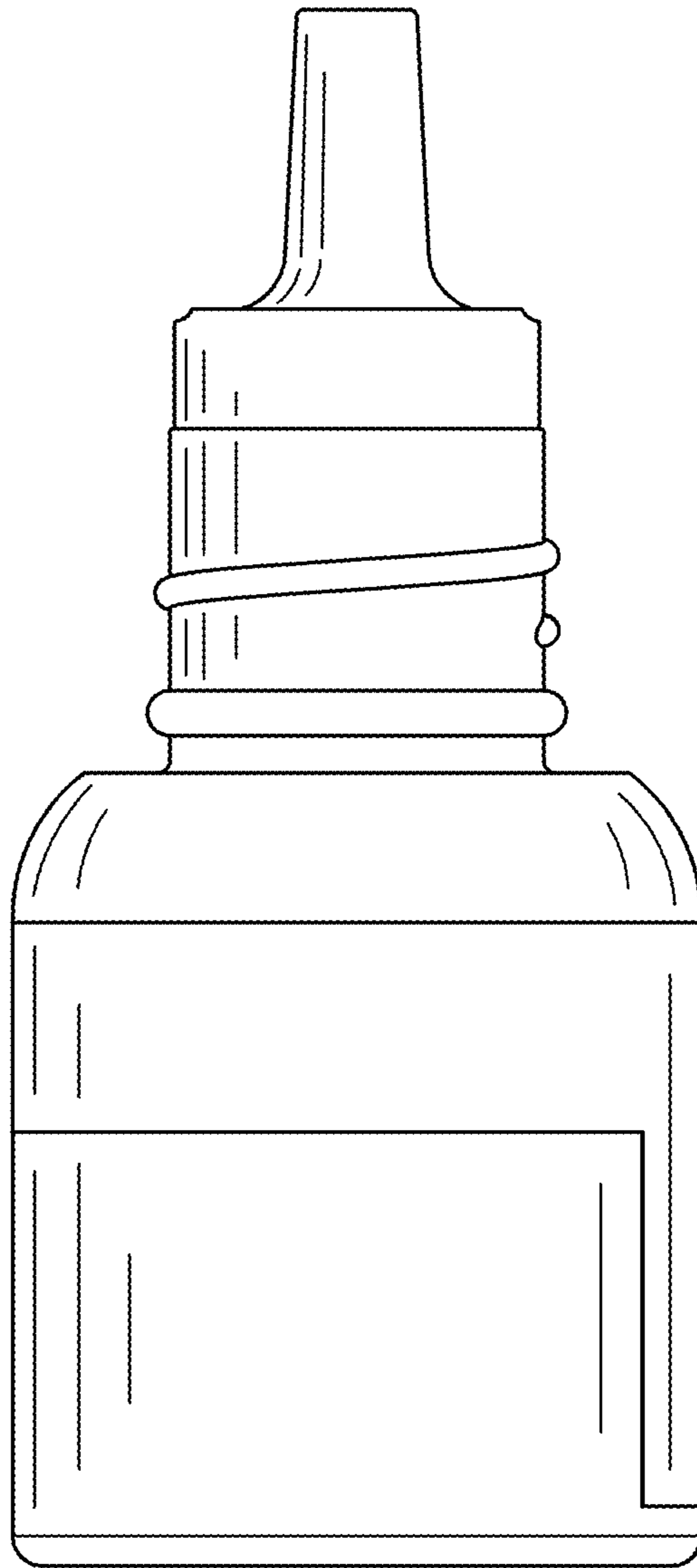


Fig. 9

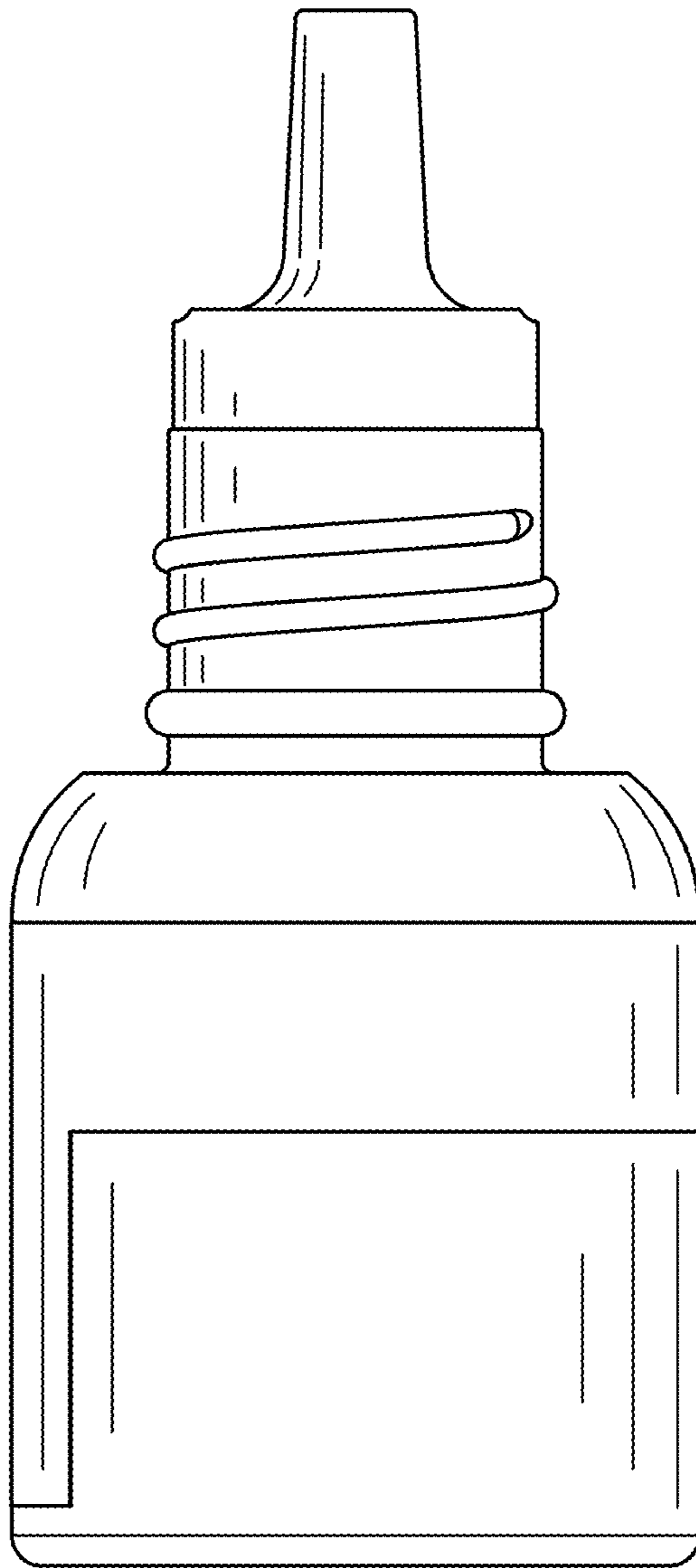


Fig. 10

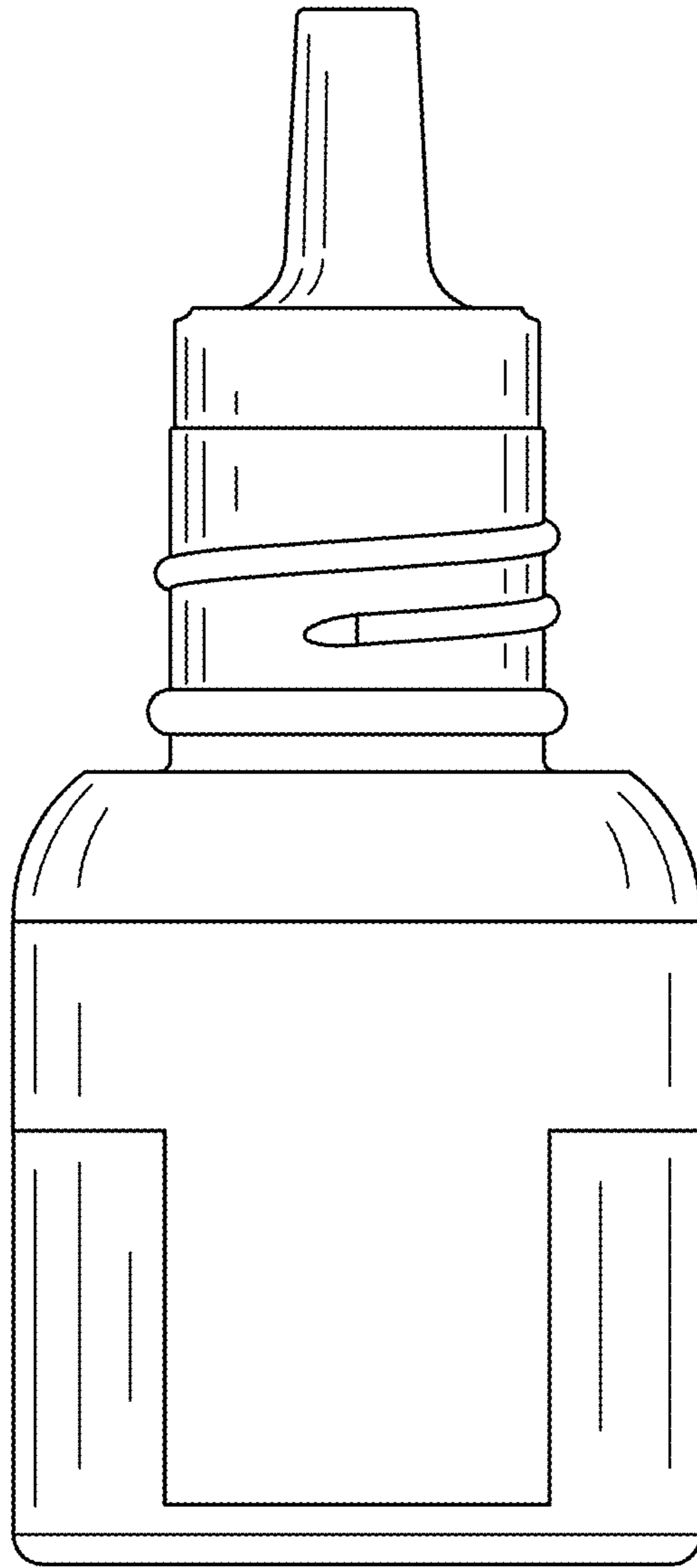


Fig. 11

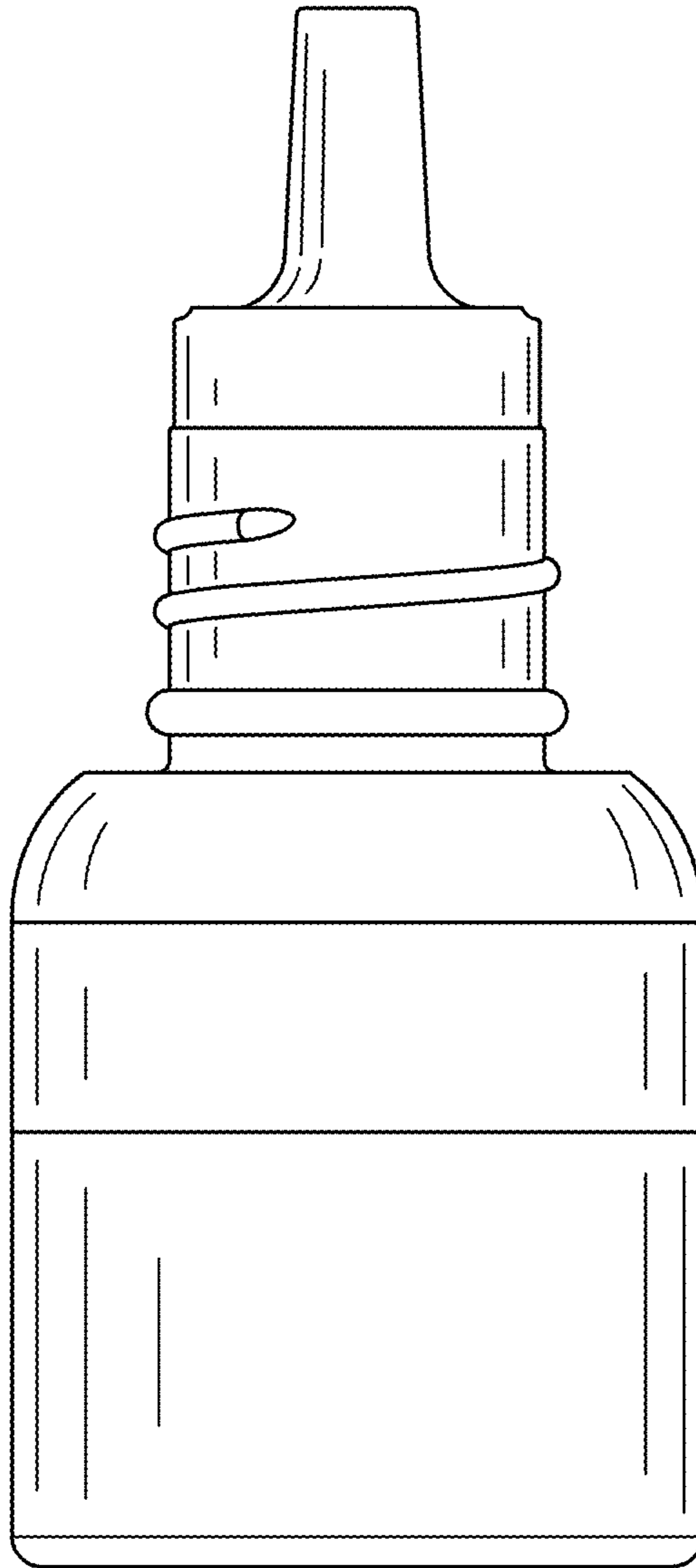


Fig. 12

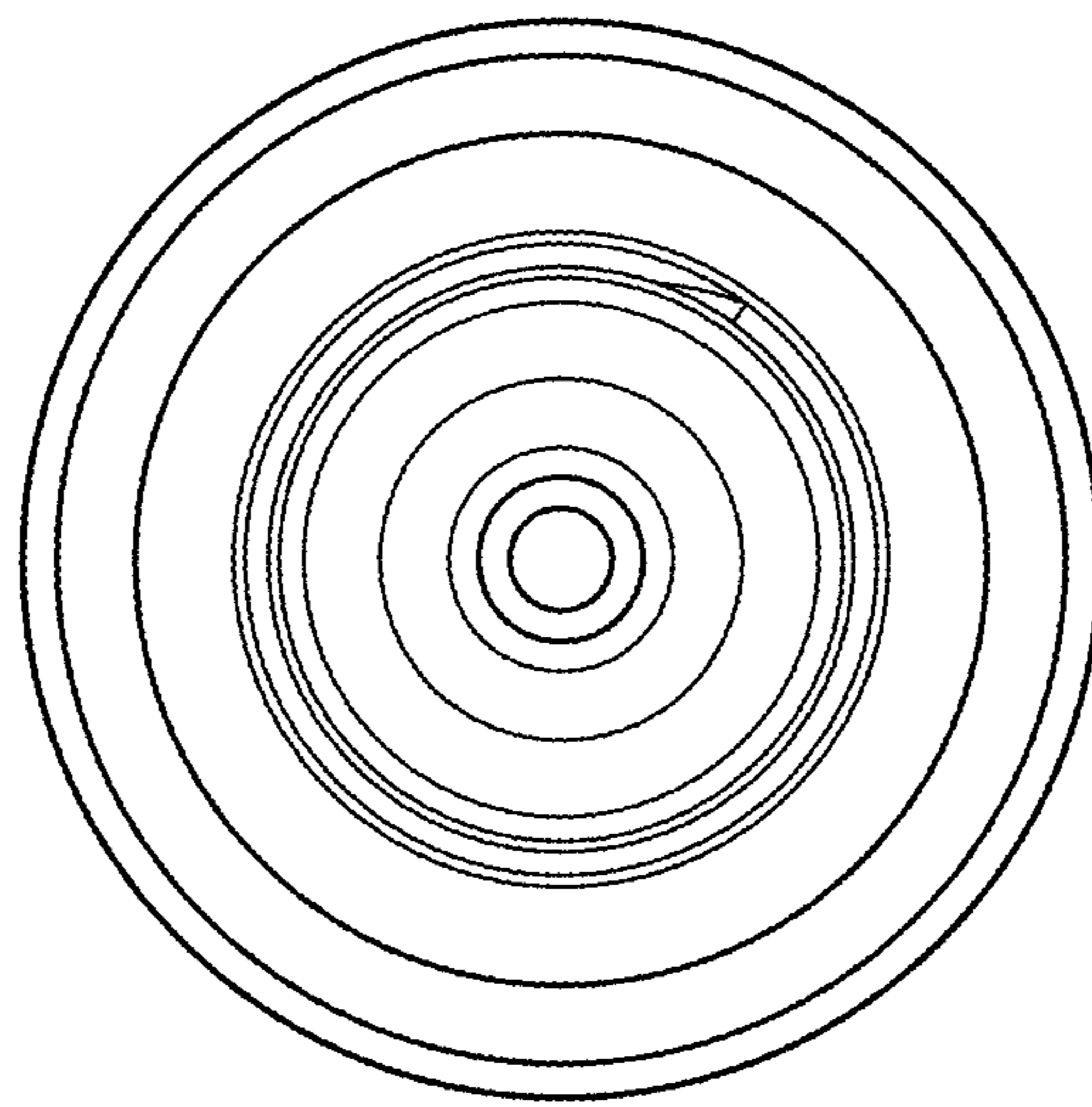


Fig. 13

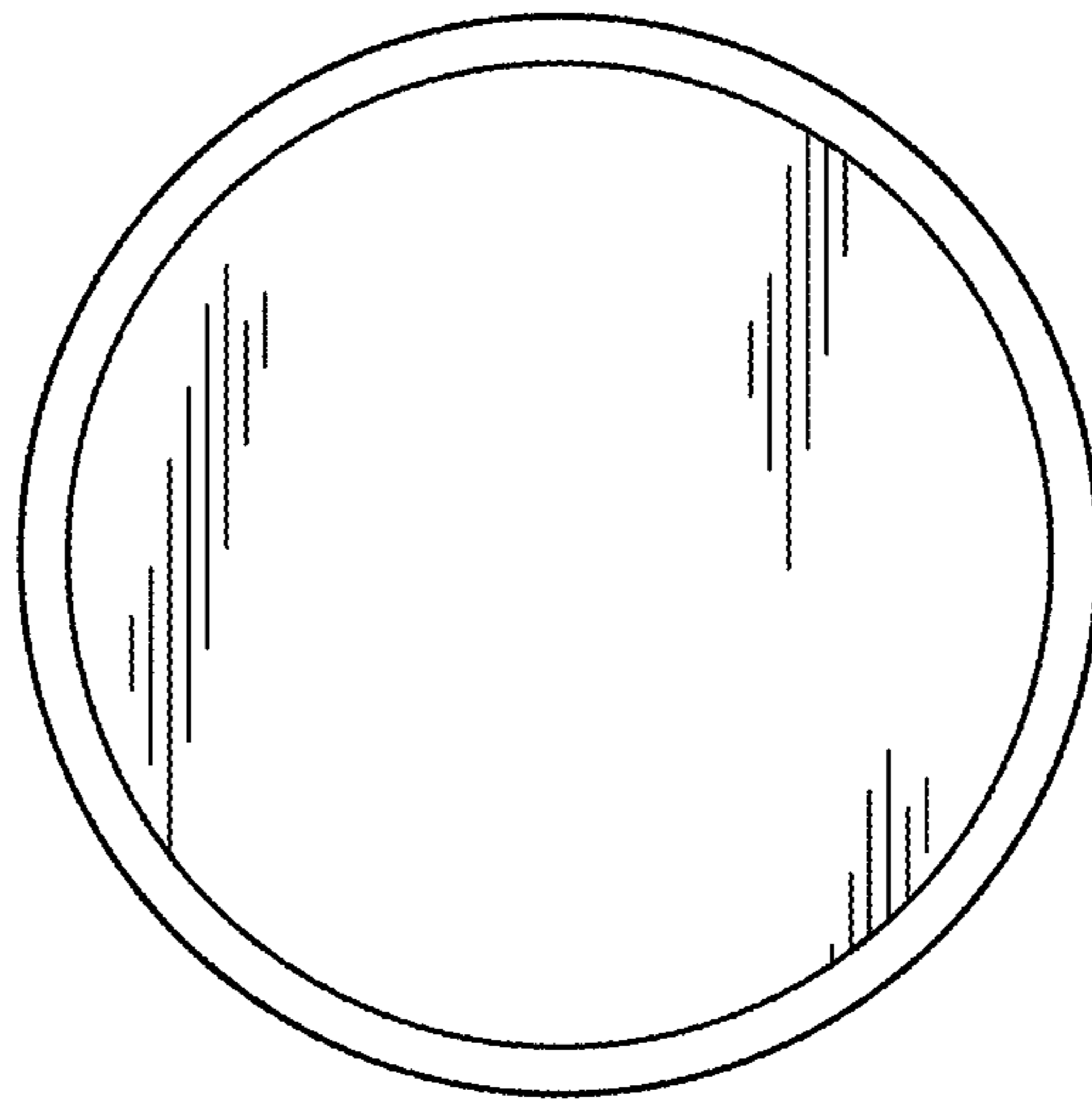


Fig. 14



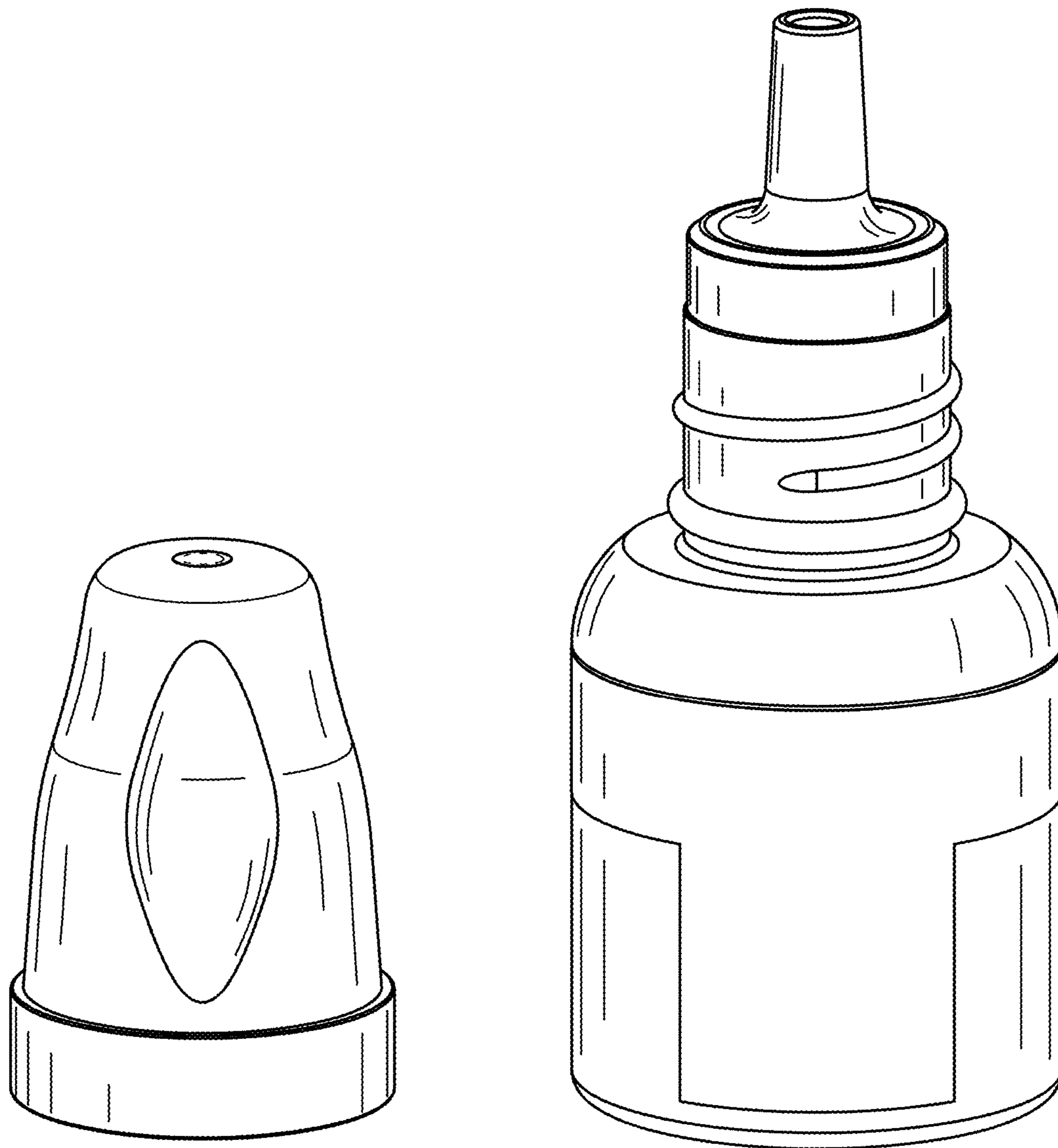


Fig. 15