



US00D770286S

(12) **United States Design Patent**
Trombetta

(10) **Patent No.:** **US D770,286 S**
(45) **Date of Patent:** **** Nov. 1, 2016**

- (54) **CAPSULE**
- (71) Applicant: **2266170 Ontario Inc.**, Mississauga, Ontario (CA)
- (72) Inventor: **Liberatore A. Trombetta**, Ancaster (CA)
- (73) Assignee: **2266170 Ontario Inc.** (CA)
- (**) Term: **14 Years**
- (21) Appl. No.: **29/485,783**

- (22) Filed: **Mar. 21, 2014**
- (51) **LOC (10) Cl.** **09-01**
- (52) **U.S. Cl.**
USPC **D9/503**
- (58) **Field of Classification Search**
USPC D9/414, 416, 418, 424-425, 427-428, D9/434-435, 454, 500, 503-505, 516, 518, D9/549, 558, 715-716, 719; D7/507, D7/509-511, 523, 601-603, 612, 615, D7/629-630, 400; D11/152; D20/11, 22, D20/28
CPC B65D 1/00; B65D 1/26; B65D 1/265; B65D 17/00; B65D 17/02; B65D 17/50; B65D 17/501; B65D 23/00; B65D 81/00; B65D 85/804; B65D 85/8043; B65D 85/8046; B65D 2501/00; B65D 2501/0009
See application file for complete search history.

(56) **References Cited**

U.S. PATENT DOCUMENTS

D4,260 S	7/1870	Doyle	
2,828,789 A *	4/1958	Geisler B65D 43/0206 220/783

(Continued)

FOREIGN PATENT DOCUMENTS

CN	3102737	2/1999
CN	3102740	2/1999

(Continued)

OTHER PUBLICATIONS

U.S. Appl. No. 29/464,387, titled "Capsule," filed Aug. 15, 2013.

(Continued)

Primary Examiner — Dana L Meyrow
(74) *Attorney, Agent, or Firm* — Saidman DesignLaw Group, LLC

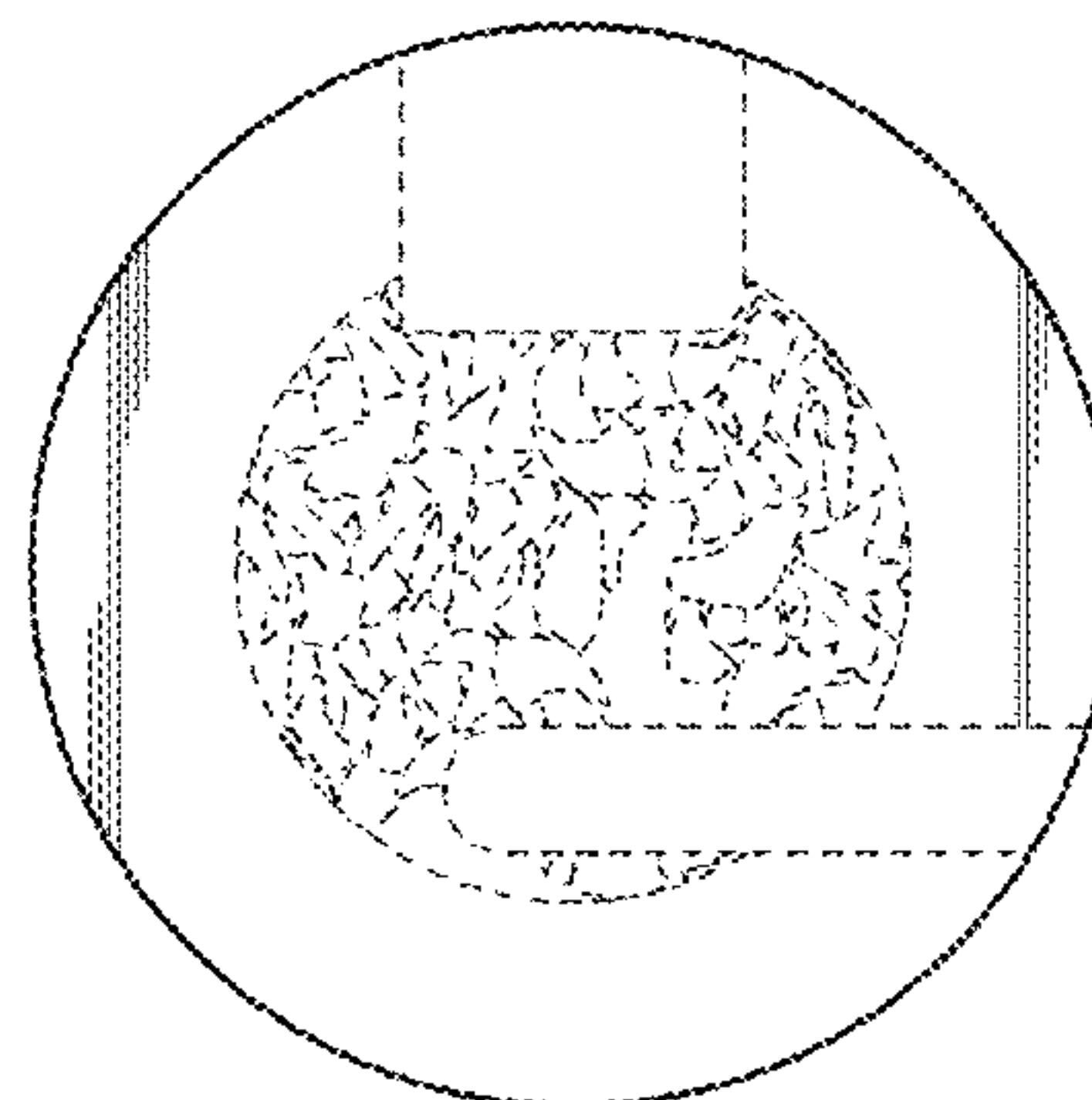
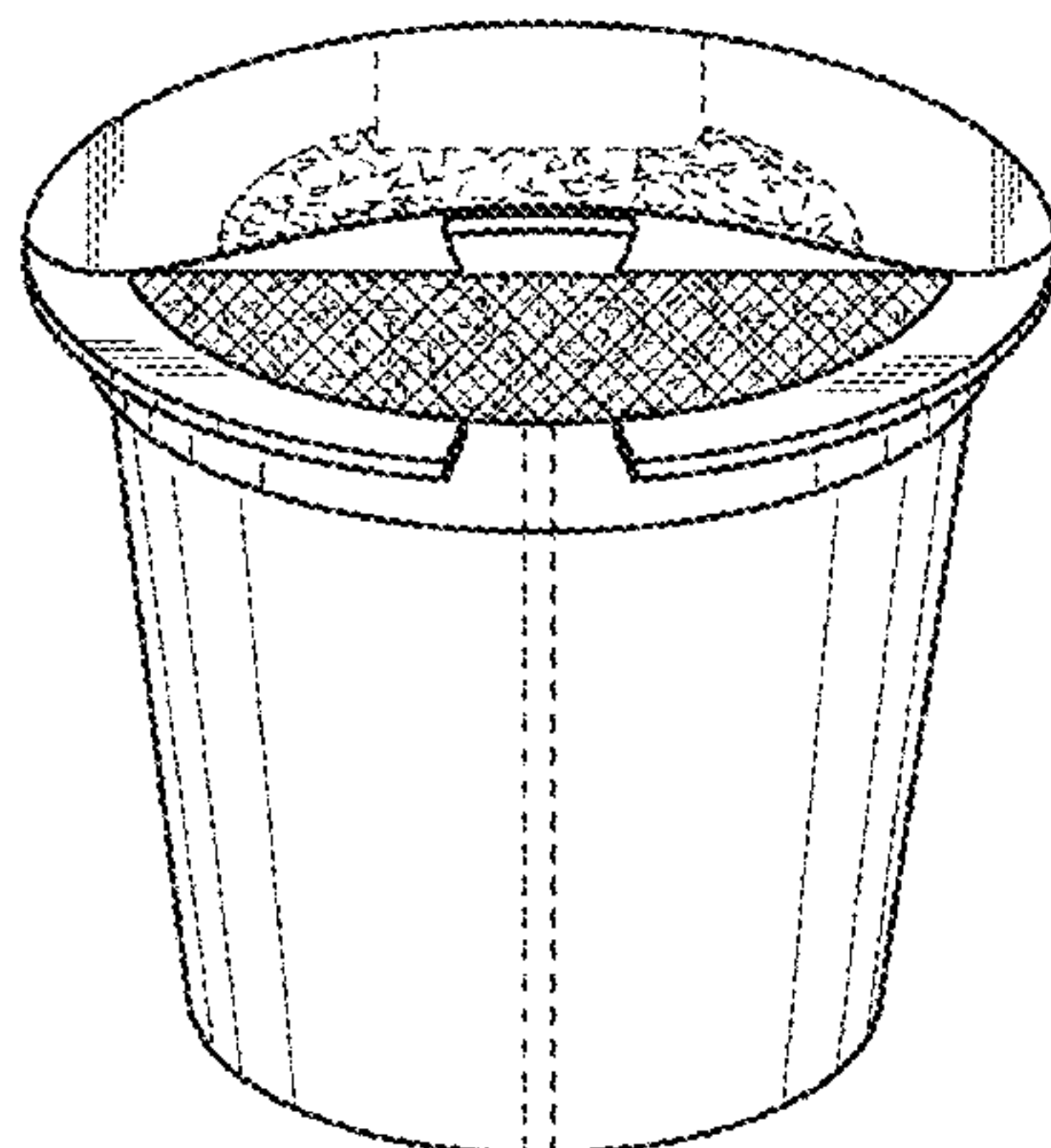
(57) **CLAIM**
The ornamental design for a capsule, as shown and described.

DESCRIPTION

FIG. 1 is a top perspective view of a capsule showing my new design;
 FIG. 2 is another perspective view thereof, showing the top cover partially removed wherein the intersecting diagonal lines represent a filter;
 FIG. 3 is a bottom perspective view thereof;
 FIG. 4 is a front view thereof;
 FIG. 5 is a left side view thereof, the right side view being a mirror image thereof;
 FIG. 6 is a rear view thereof;
 FIG. 7 is a top view thereof;
 FIG. 8 is a bottom view thereof;
 FIG. 9 is a top perspective view of a second embodiment thereof;
 FIG. 10 is another perspective view thereof, showing the top cover partially removed wherein the intersecting diagonal lines represent a filter;
 FIG. 11 is a bottom perspective view thereof;
 FIG. 12 is a front view thereof;
 FIG. 13 is a left side view thereof, the right side view being a mirror image thereof;
 FIG. 14 is a rear view thereof;
 FIG. 15 is a top view thereof;
 FIG. 16 is a bottom view thereof;
 FIG. 17 is a top perspective view of a third embodiment thereof;
 FIG. 18 is another perspective view thereof, showing the top cover partially removed wherein the intersecting diagonal lines represent a filter;
 FIG. 19 is a bottom perspective view thereof;
 FIG. 20 is a front view thereof;
 FIG. 21 is a left side view thereof, the right side view being a mirror image thereof;
 FIG. 22 is a rear view thereof;
 FIG. 23 is a top view thereof; and,
 FIG. 24 is a bottom view thereof.

The broken lines in the drawings represent structure and features of the capsule which form no part of the claimed design. The two closely placed vertical broken lines centered on the front surface of the capsule are unclaimed lines on a claimed surface. The groups of parallel diagonal lines in the second embodiment represent transparency.

1 Claim, 12 Drawing Sheets



(56)

References Cited

U.S. PATENT DOCUMENTS

2,919,844 A 1/1960 Anderson
 3,128,029 A * 4/1964 Price B29C 67/221
 220/DIG. 14
 3,527,020 A * 9/1970 Mancini B65B 7/16
 53/282
 D241,228 S * 8/1976 Boduch D7/523
 D244,063 S 4/1977 Christian
 D247,548 S 3/1978 Crary
 D258,350 S * 2/1981 Scott D9/438
 D259,625 S 6/1981 Hamilton et al.
 D263,447 S 3/1982 Brown
 D280,075 S * 8/1985 Haag, Sr. D9/428
 D280,076 S * 8/1985 Haag, Sr. D9/428
 D312,400 S 11/1990 Schwaikert
 D321,477 S 11/1991 Gunter
 D334,113 S 3/1993 Lewis et al.
 D416,796 S * 11/1999 Smith D7/629
 6,237,777 B1 5/2001 Bierly
 D445,674 S 7/2001 Pritchett
 D452,433 S 12/2001 Lazaris
 D452,434 S 12/2001 Sweeney
 D467,800 S * 12/2002 Chen D9/428
 D473,788 S 4/2003 Chen et al.
 D474,110 S 5/2003 Sweeney
 D474,111 S 5/2003 Lazaris
 D501,368 S 2/2005 Roth et al.
 D502,362 S 3/2005 Lazaris et al.
 D536,579 S 2/2007 Roth et al.
 D568,156 S 5/2008 Wilson et al.
 D572,133 S 7/2008 Wilson et al.
 D577,253 S 9/2008 Bodum
 D577,288 S 9/2008 Wilson et al.
 D606,363 S * 12/2009 Aardenburg D7/400
 D632,563 S * 2/2011 Sitabkhan D9/435
 D637,484 S 5/2011 Winkler
 D642,454 S 8/2011 Santoiemmo
 D642,455 S 8/2011 Santoiemmo
 D646,968 S 10/2011 Ortiz et al.
 D647,398 S 10/2011 Winkler
 D647,399 S 10/2011 Winkler
 D652,266 S * 1/2012 Smyers D7/630
 D656,009 S 3/2012 Ortiz et al.
 D656,010 S 3/2012 Ortiz et al.
 D658,493 S * 5/2012 Cometto D9/424
 D671,831 S 12/2012 Moreau
 D686,916 S * 7/2013 O'Brien D9/429
 D687,297 S * 8/2013 O'Brien D9/429
 D698,649 S * 2/2014 Quint D7/400
 D700,839 S * 3/2014 O'Brien D9/429
 D715,649 S * 10/2014 O'Brien D9/500
 D726,537 S * 4/2015 Trombetta D9/454
 D730,174 S * 5/2015 O'Brien D9/429
 D731,884 S * 6/2015 Trombetta D9/428
 D731,890 S * 6/2015 Trombetta D9/428
 D732,390 S * 6/2015 Trombetta D9/428
 D732,949 S * 6/2015 Schroeder D9/416
 D736,621 S * 8/2015 Ivancic D9/436
 D753,491 S * 4/2016 Trombetta D9/503
 2009/0200301 A1 * 8/2009 Beekman B65D 81/3216
 220/4.27
 2010/0288131 A1 * 11/2010 Kilber B65D 85/8043
 99/295
 2011/0183048 A1 * 7/2011 Noble A23F 5/32
 426/122

2012/0097602 A1 * 4/2012 Tedford B65D 65/466
 210/500.1
 2014/0120217 A1 * 5/2014 O'Brien B65D 85/8043
 426/115
 2014/0120218 A1 * 5/2014 O'Brien B65D 85/8043
 426/115
 2014/0161936 A1 * 6/2014 Trombetta B65D 85/8046
 426/77
 2014/0308406 A1 * 10/2014 O'Brien C08K 3/34
 426/115
 2014/0377413 A1 * 12/2014 Liu B65D 85/8043
 426/115
 2015/0150409 A1 * 6/2015 Cross B65D 85/8043
 426/112

FOREIGN PATENT DOCUMENTS

CN	3102741	2/1999
CN	3103590	2/1999
CN	3336640	11/2003
CN	3336639	11/2003
CN	3336646	11/2003
CN	3340286	12/2003
CN	3386161	8/2004
CN	3429241	3/2005
CN	3442199	4/2005
CN	3442205	4/2005
CN	3448912	5/2005
CN	3448913	5/2005
CN	3469773	8/2005
CN	3570660	10/2006
CN	3597250	1/2007
CN	3614944	2/2007
CN	300707939	11/2007
CN	300707940	11/2007
CN	300707941	11/2007
CN	300707942	11/2007
CN	300710086	11/2007
CN	300710087	11/2007
CN	300710088	11/2007
CN	300710089	11/2007
CN	300815220	8/2008
CN	300833940	10/2008
CN	300843246	10/2008
CN	301347136	9/2010
CN	301437314	1/2011
CN	301505145	4/2011
CN	302041529	8/2012
CN	302141646	10/2012
CN	302141791	10/2012
CN	302297349	1/2013
CN	302370417	3/2013
CN	302439912	5/2013
KR	300341422.0000	12/2006

OTHER PUBLICATIONS

U.S. Appl. No. 29/464,380, titled "Capsule," filed Aug. 15, 2013.
 U.S. Appl. No. 29/464,384, titled "Capsule," filed Aug. 15, 2013.
 U.S. Appl. No. 29/464,393, titled "Capsule," filed Aug. 15, 2013.
 U.S. Appl. No. 29/464,395, titled "Capsule," filed Aug. 15, 2013.
 U.S. Appl. No. 29/464,399, titled "Capsule," filed Aug. 15, 2013.
 U.S. Appl. No. 29/464,397, titled "Capsule," filed Aug. 15, 2013.
 U.S. Appl. No. 29/485,747, titled "Capsule," filed Mar. 21, 2014.
 U.S. Appl. No. 29/485,784, titled "Capsule and/or Logo," filed Mar. 21, 2014.

* cited by examiner

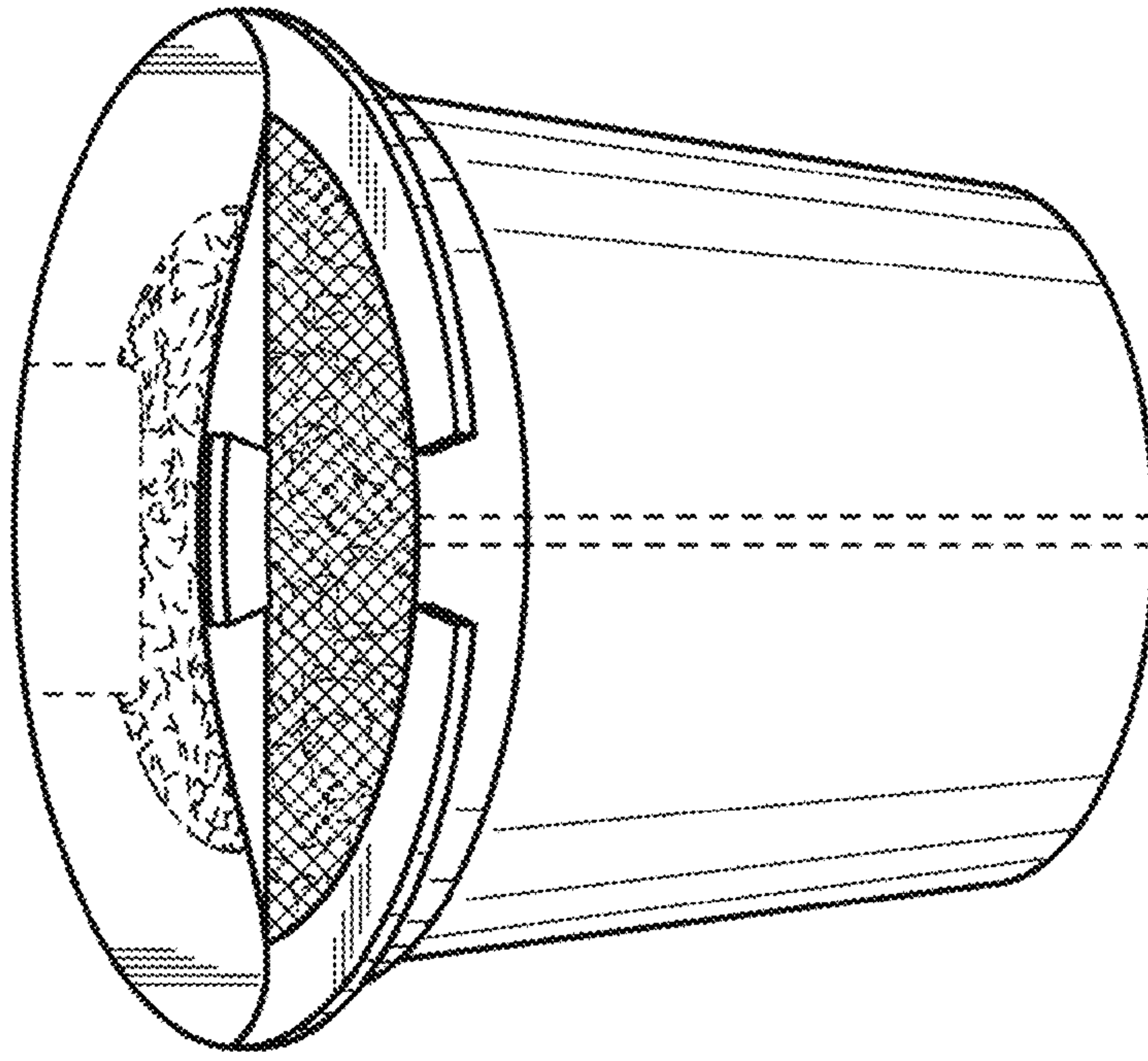


Fig. 1

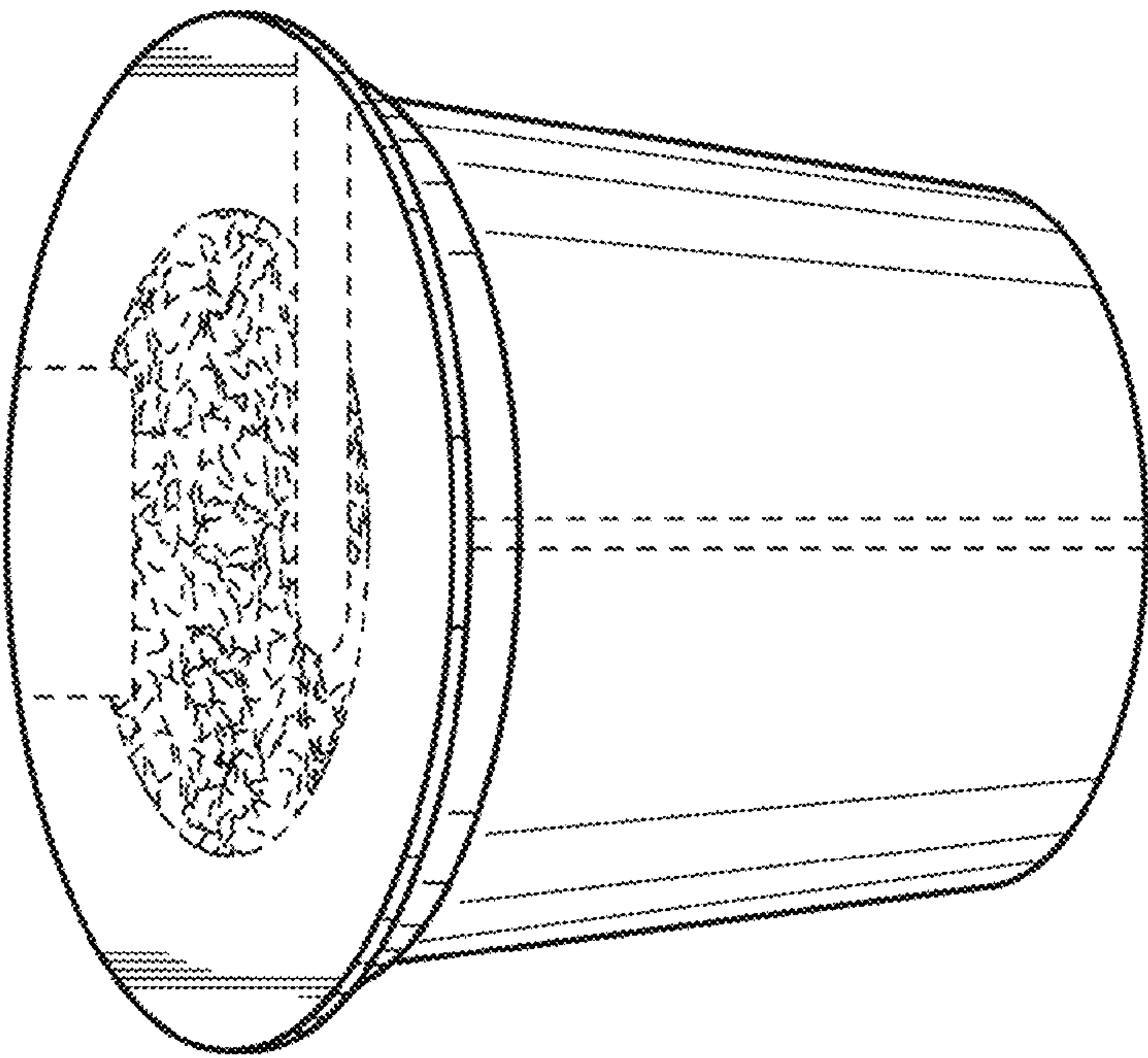


Fig. 2

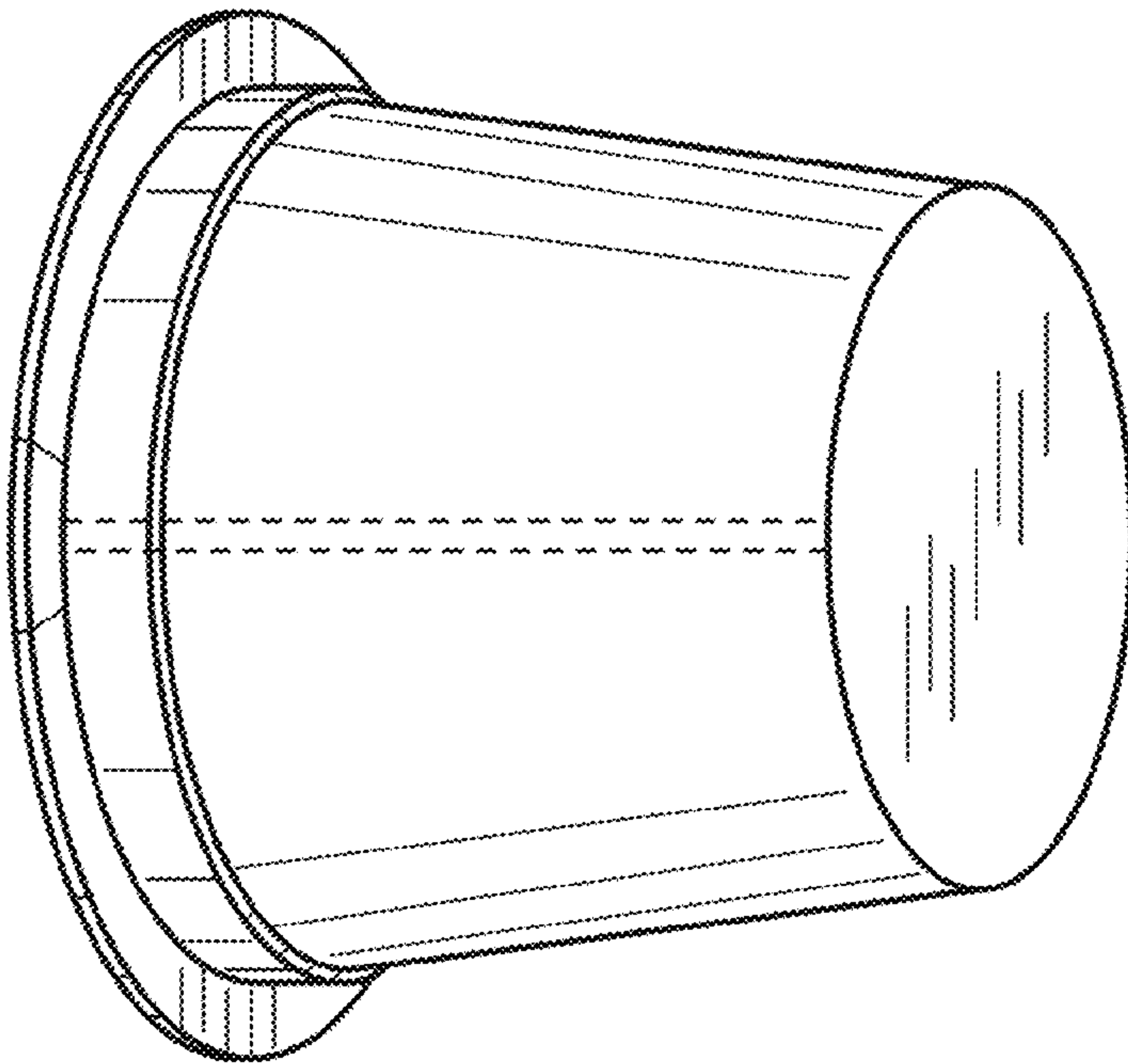


Fig. 3

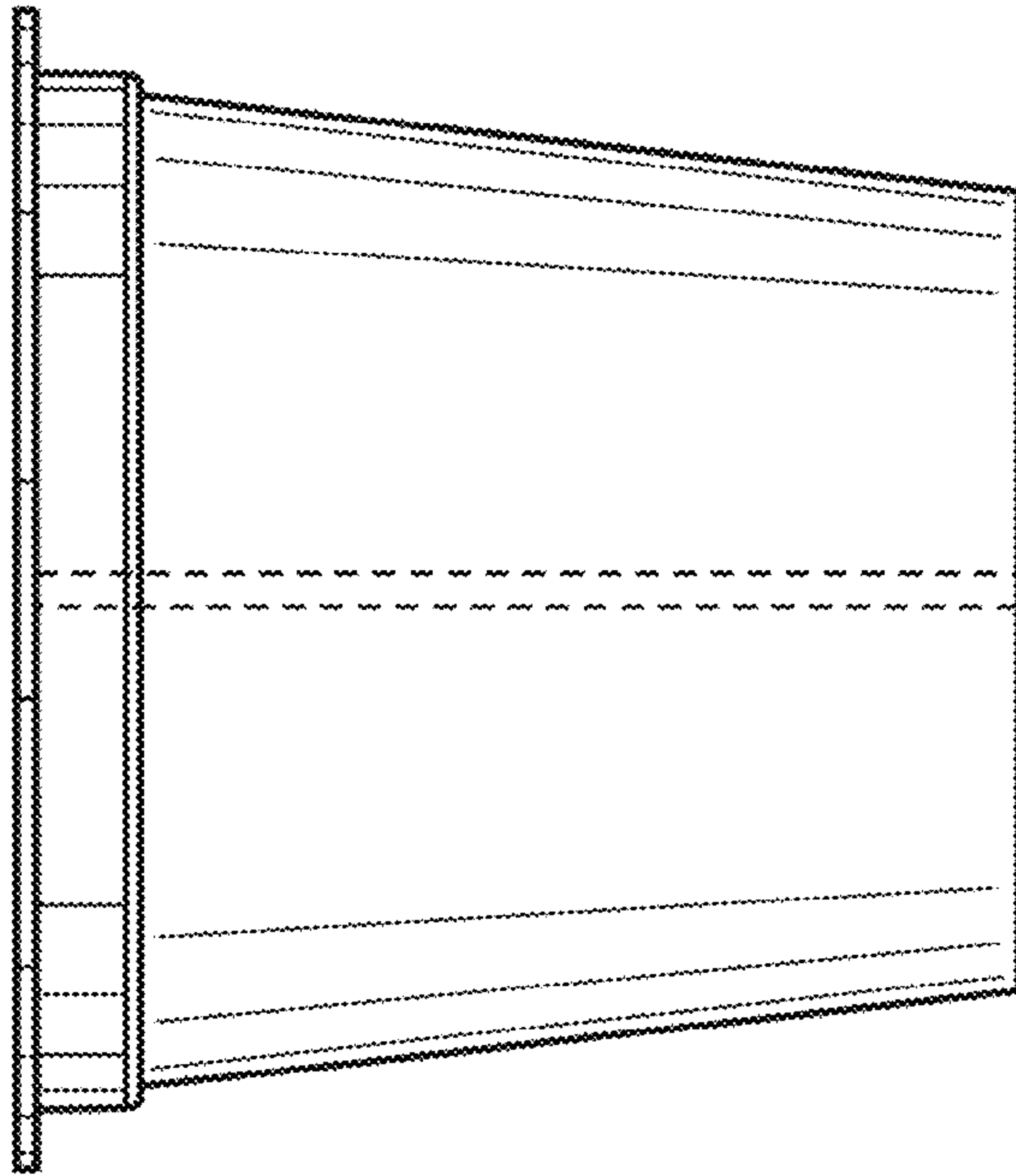


Fig. 4

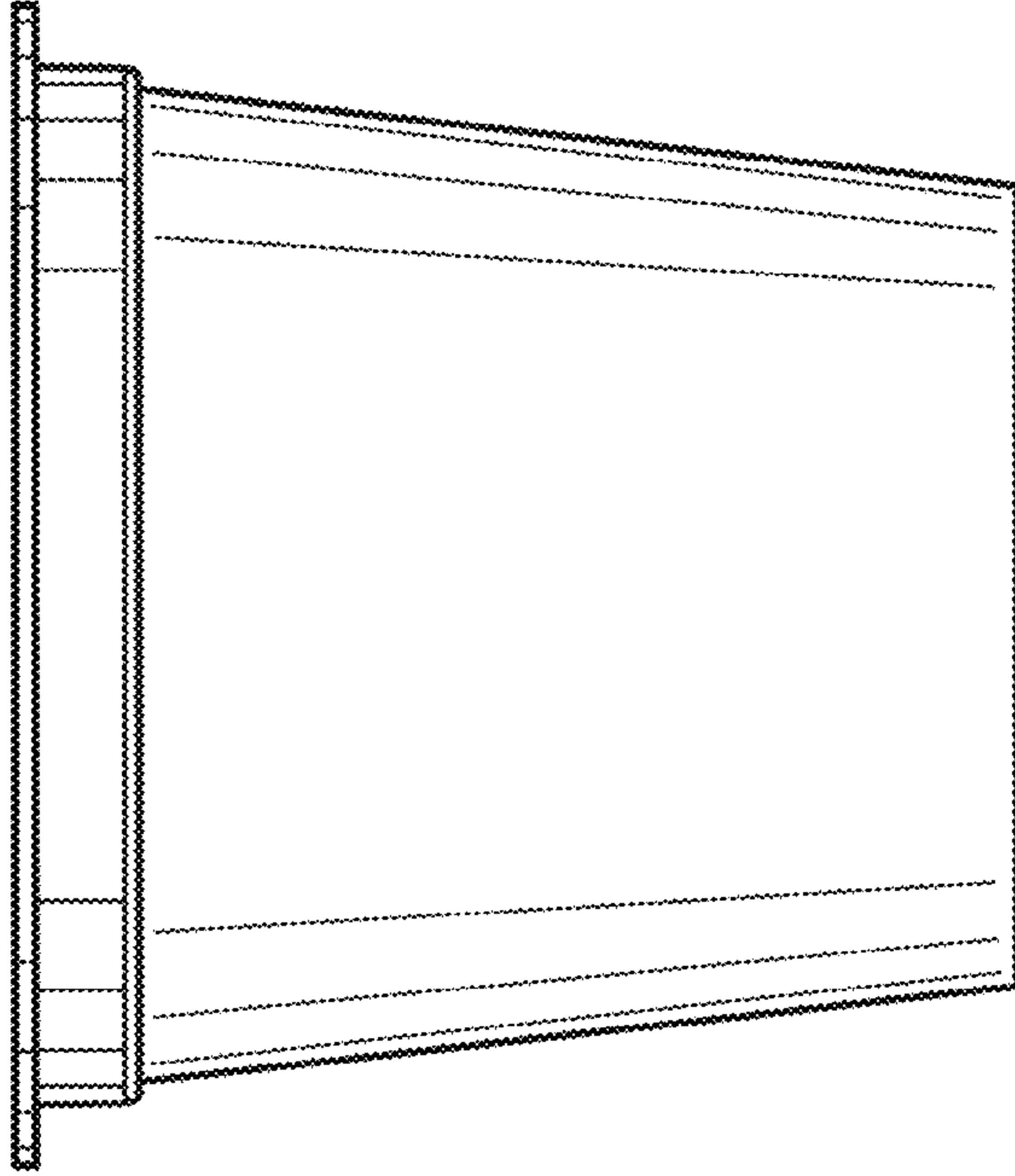


Fig. 5

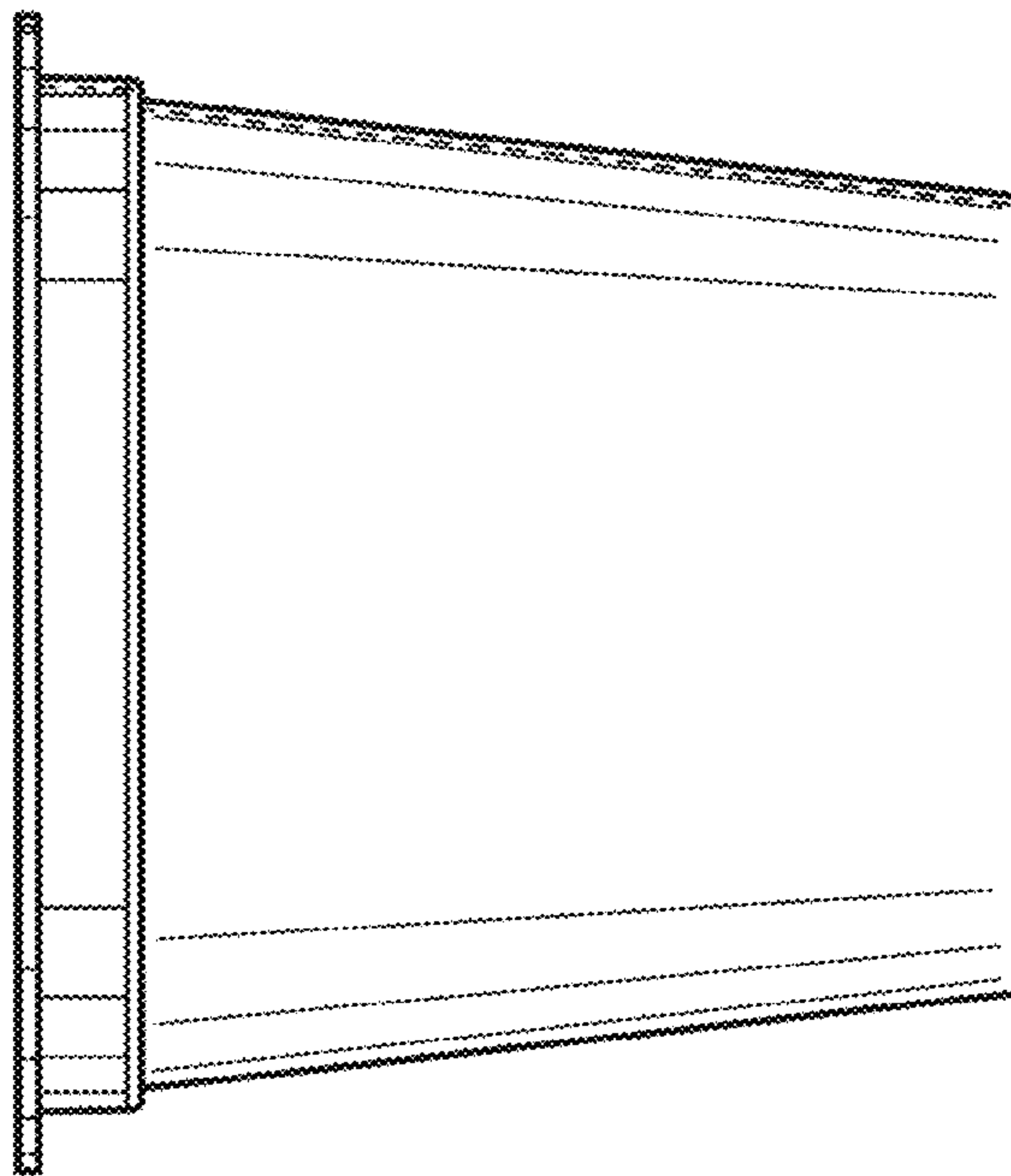


Fig. 6

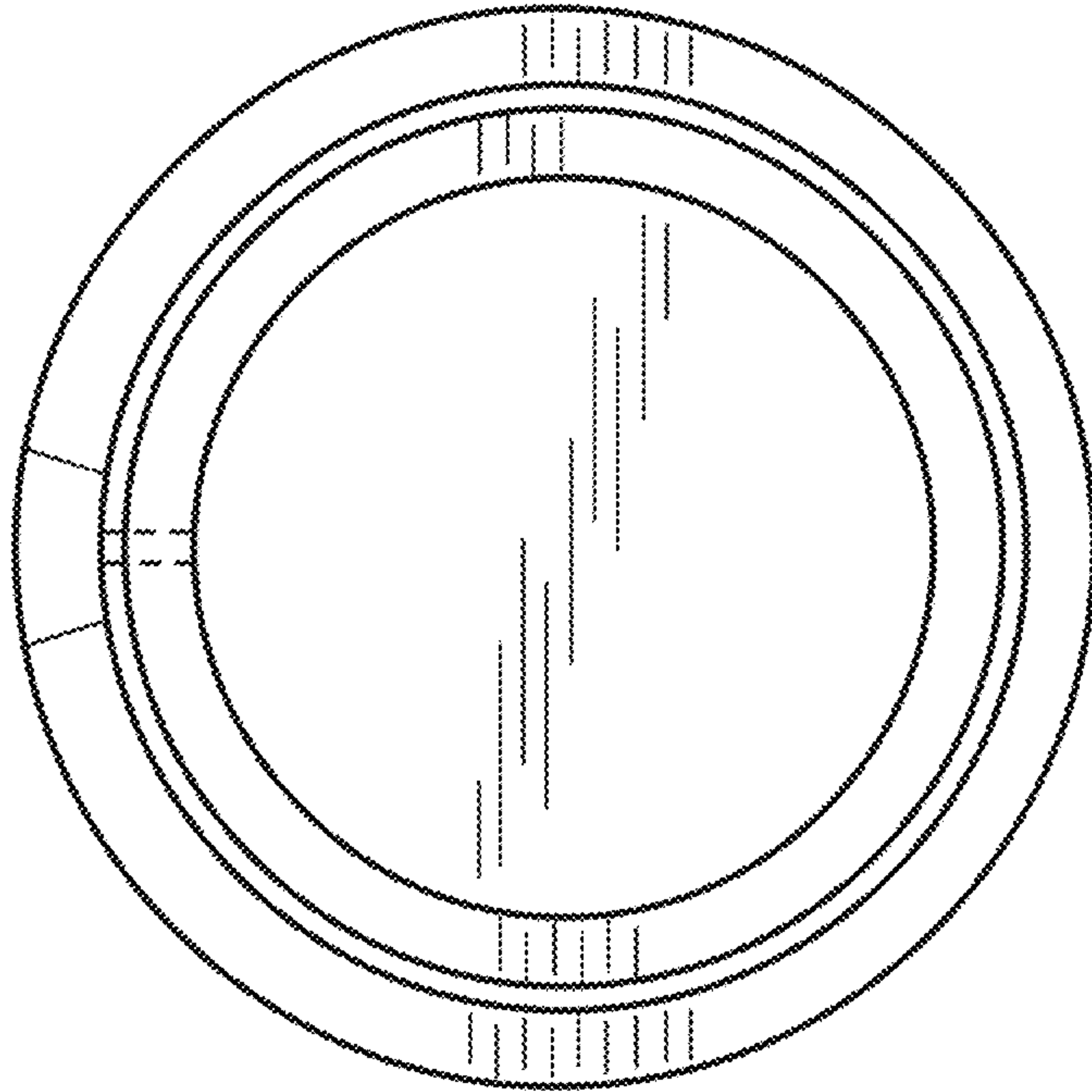


Fig. 7

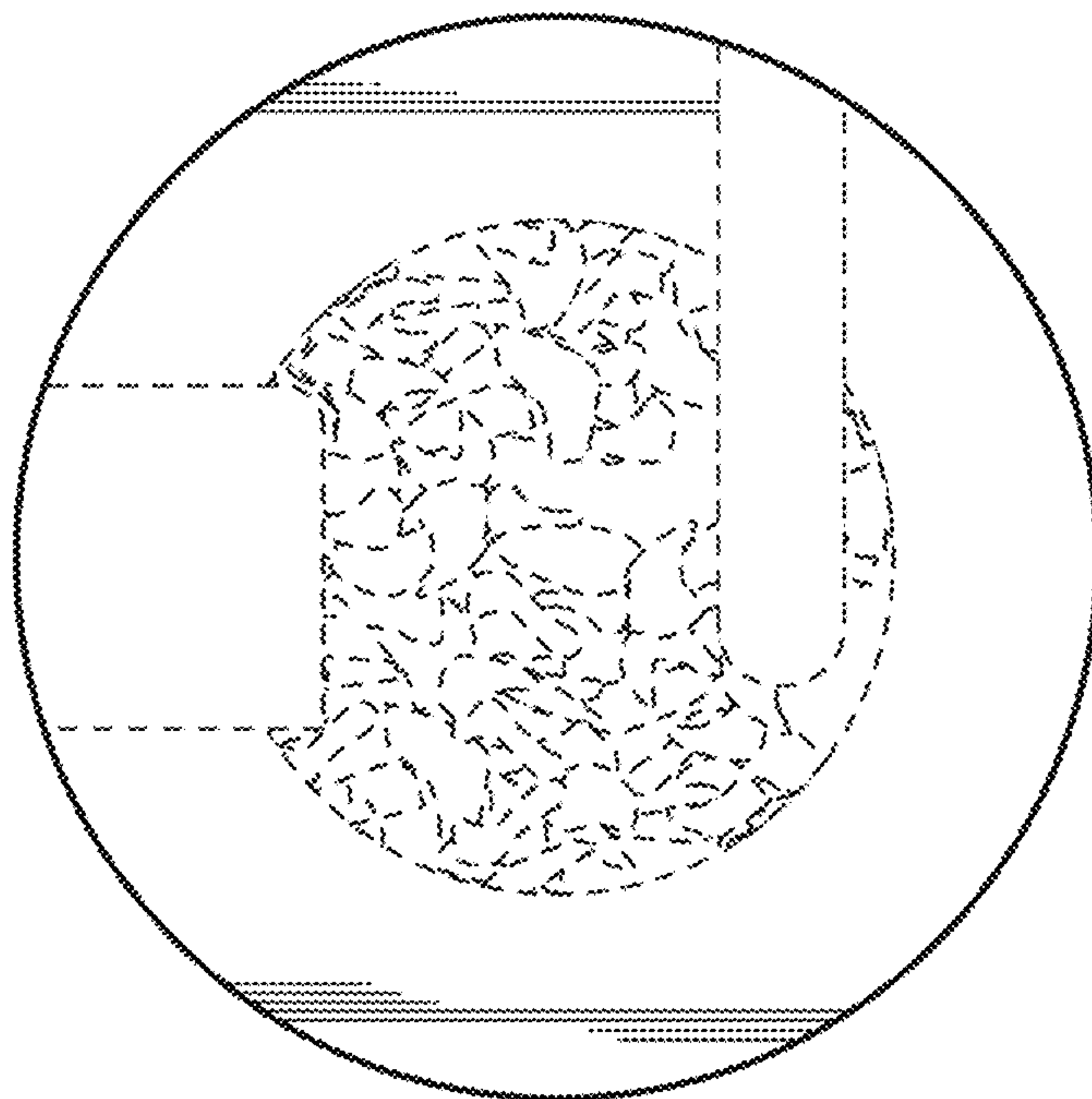


Fig. 8

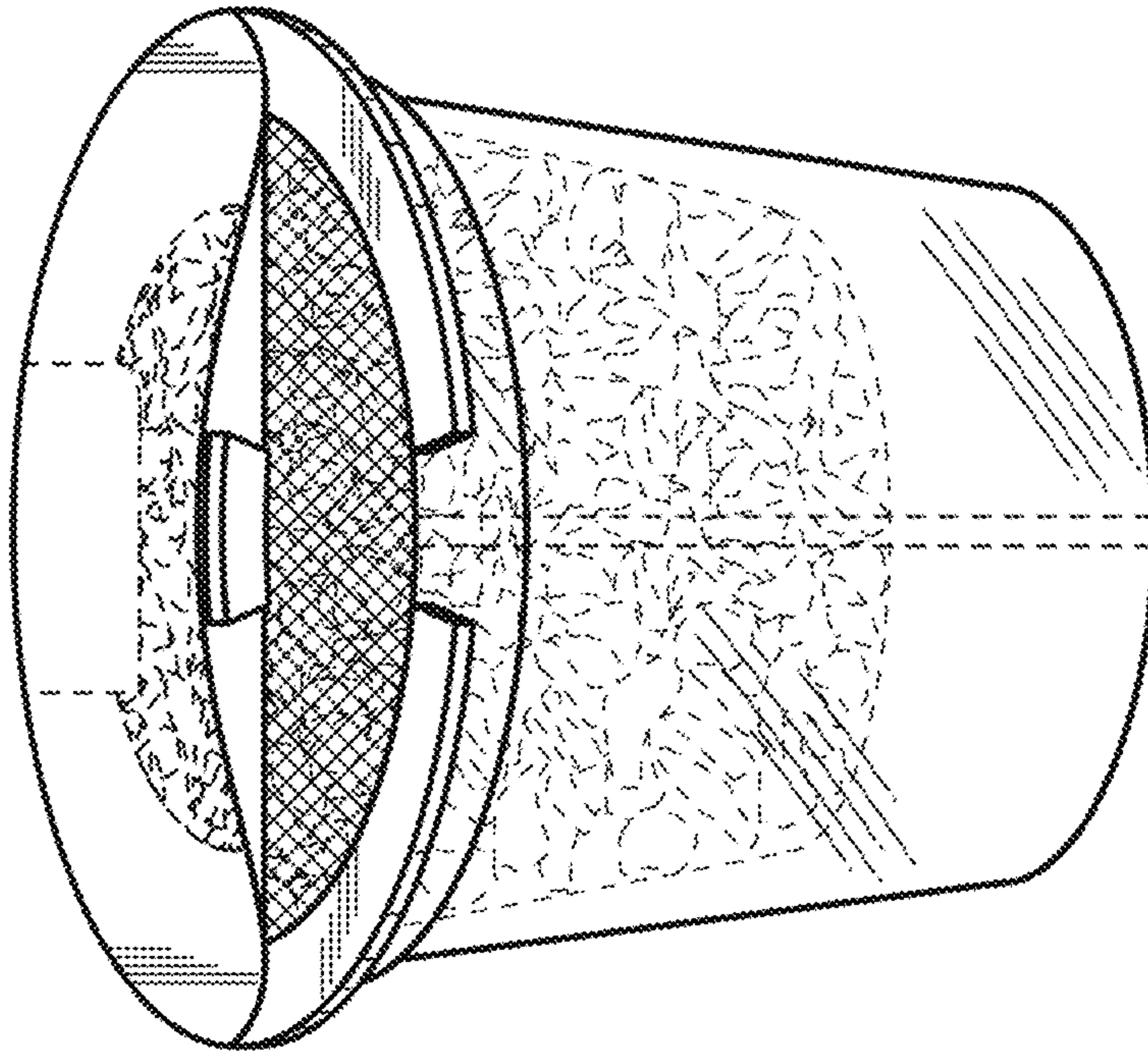


Fig. 9

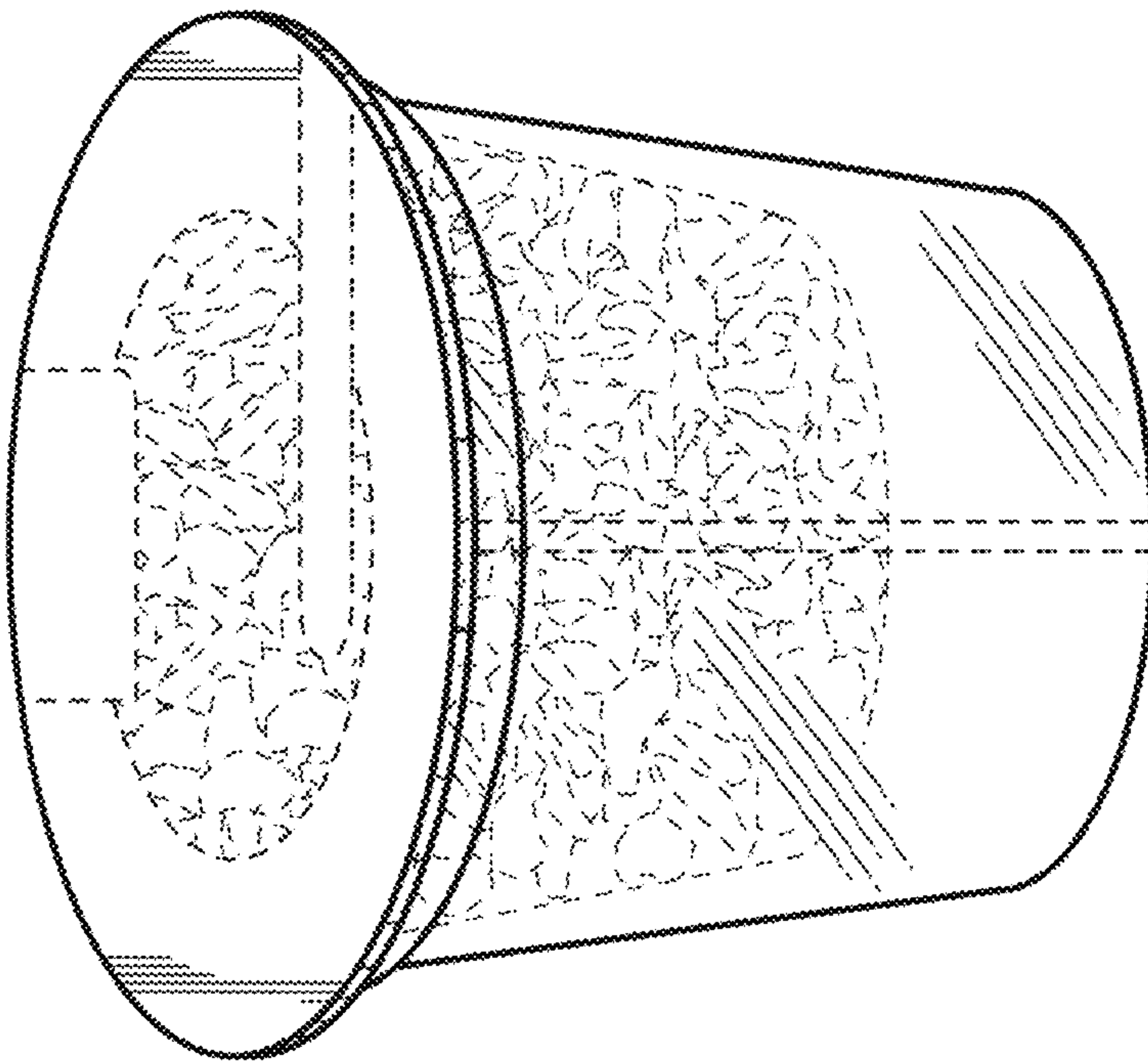


Fig. 10

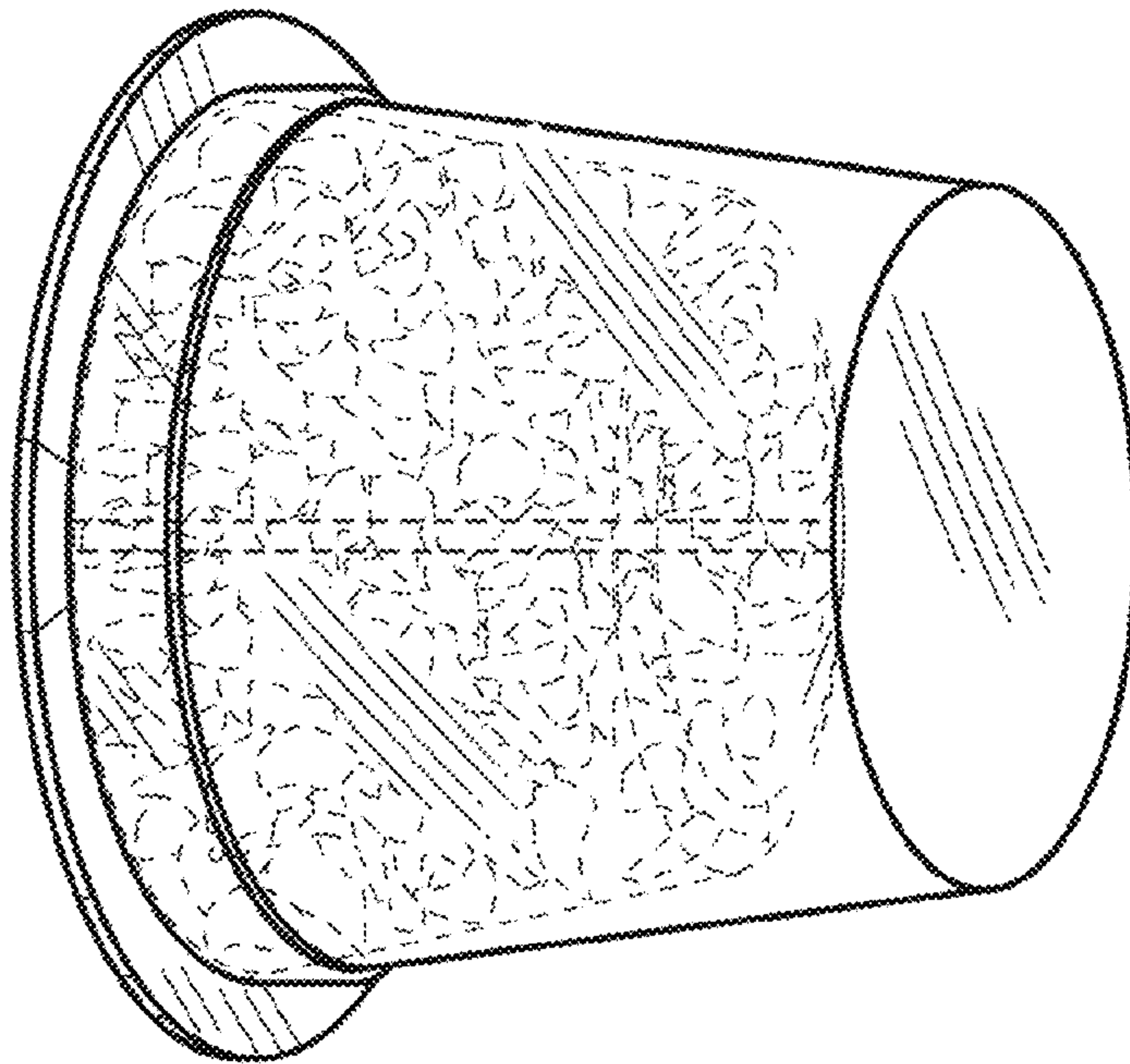


Fig. 11

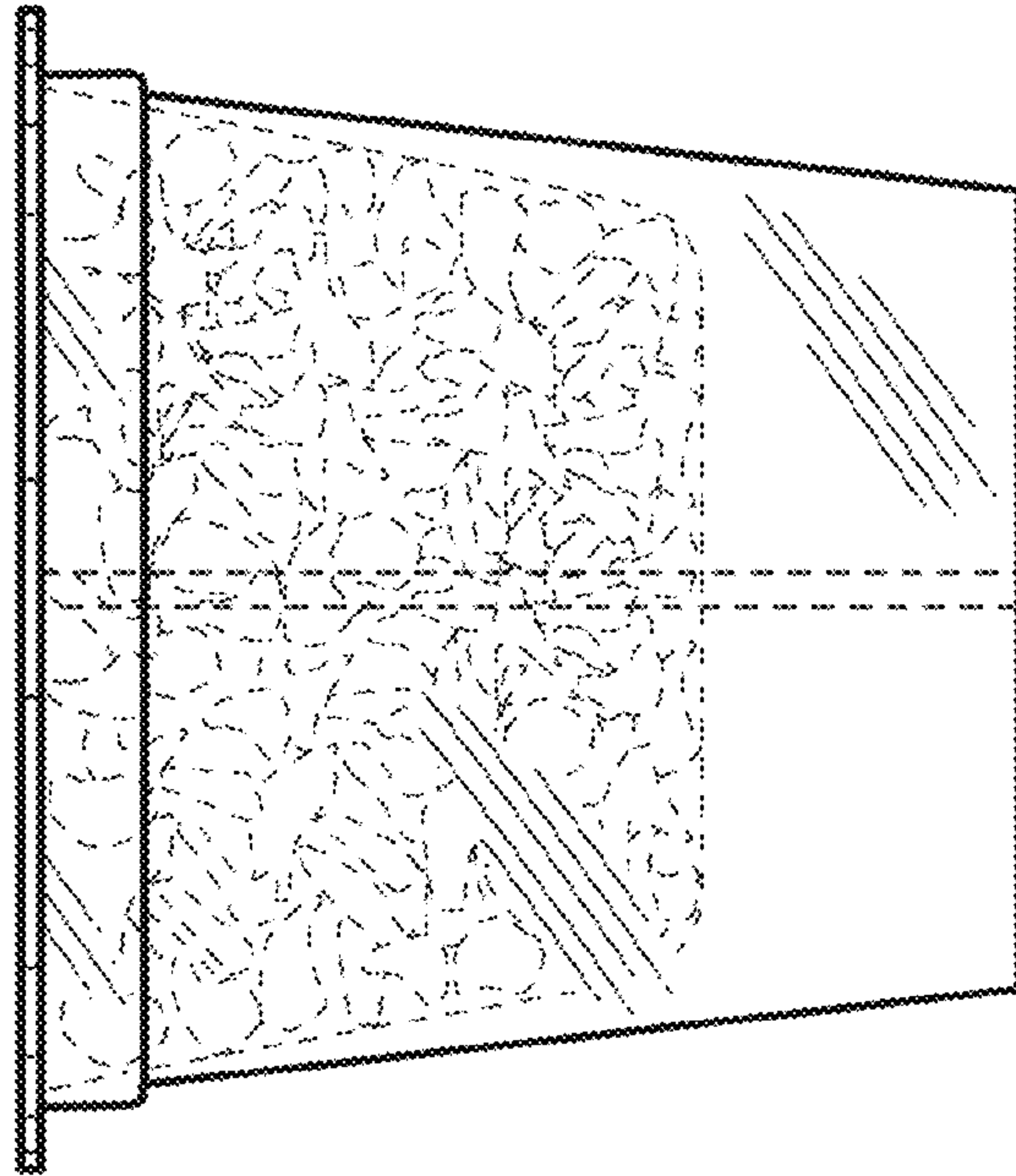


Fig. 12

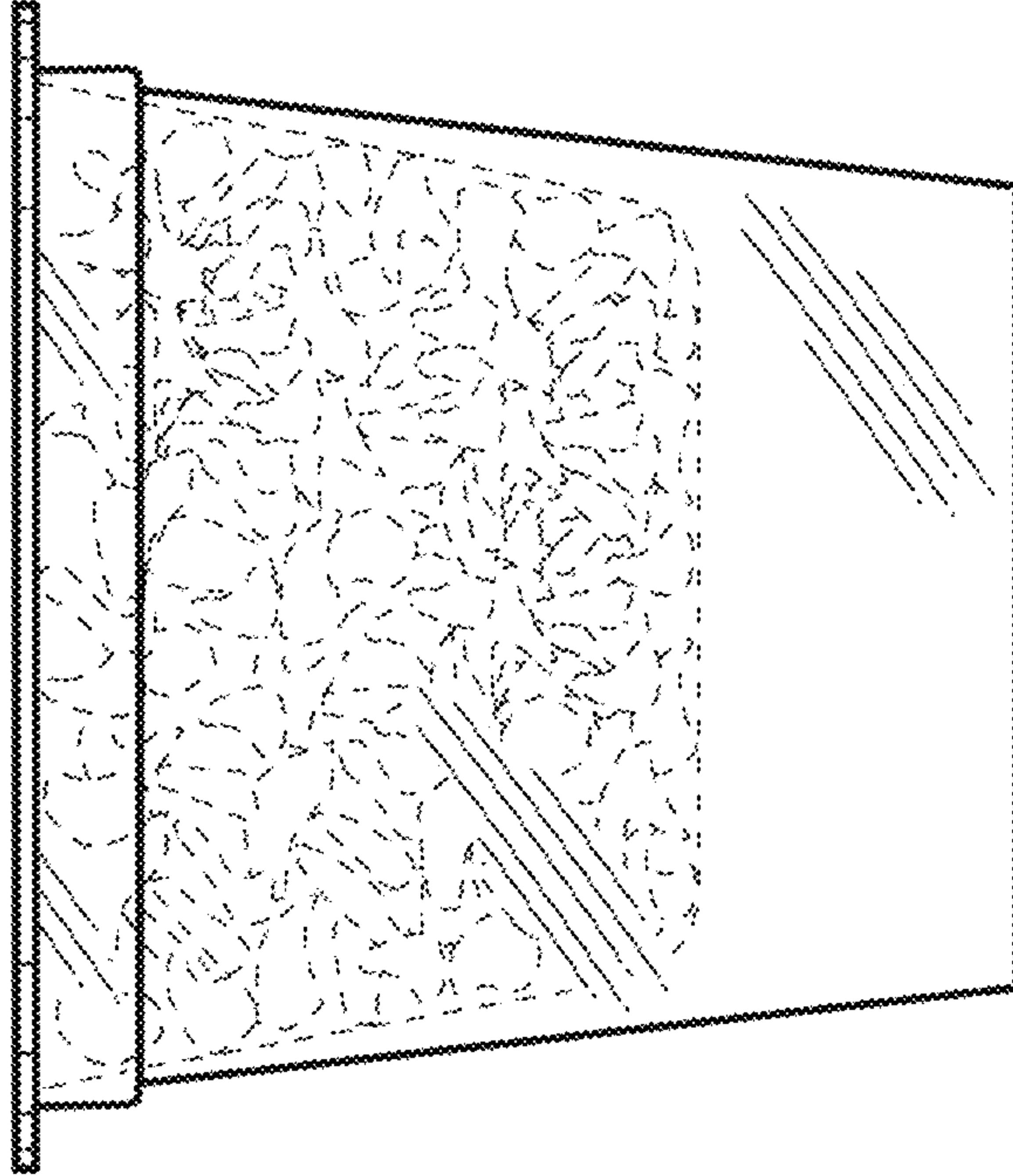


Fig. 13

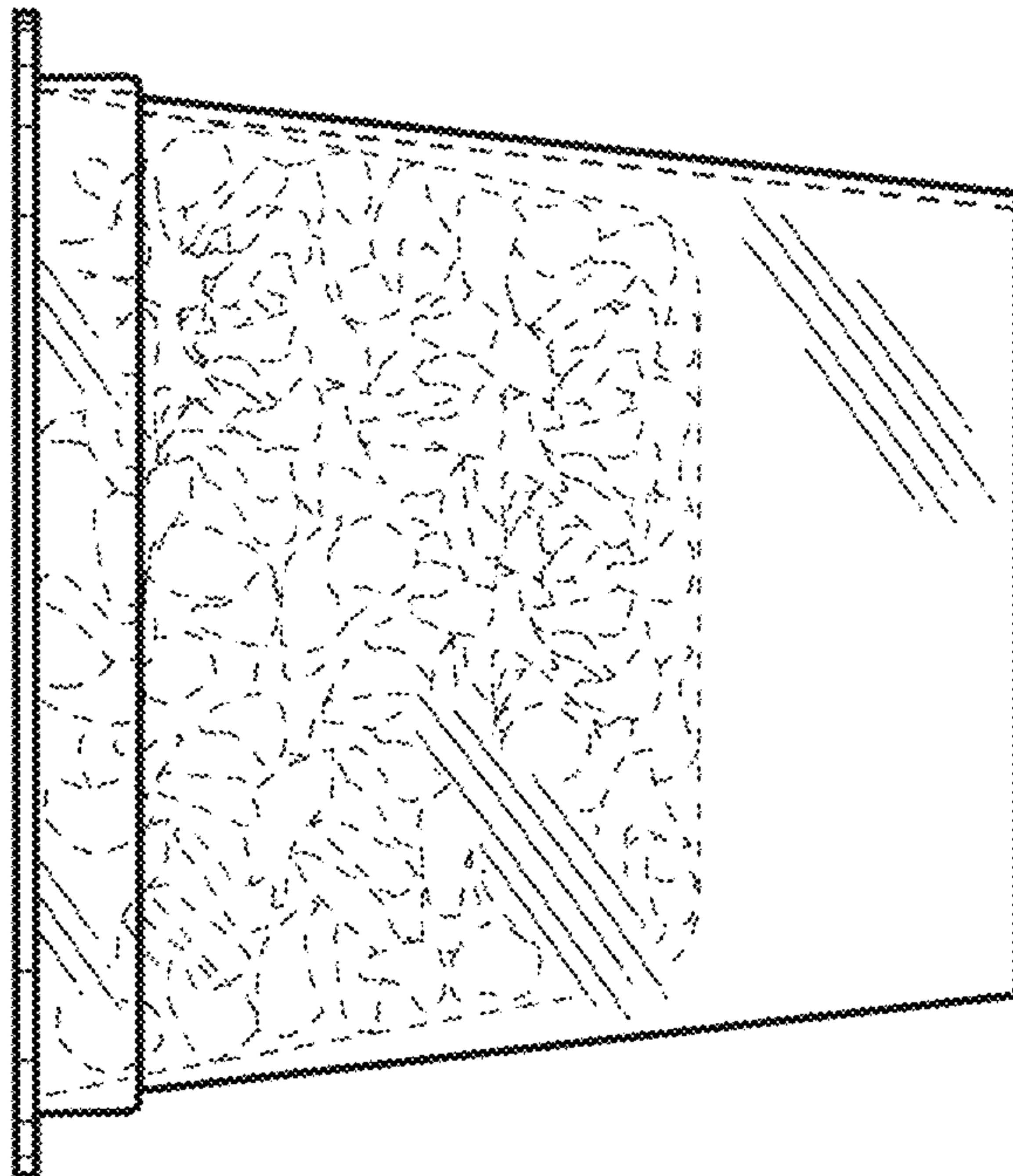


Fig. 14

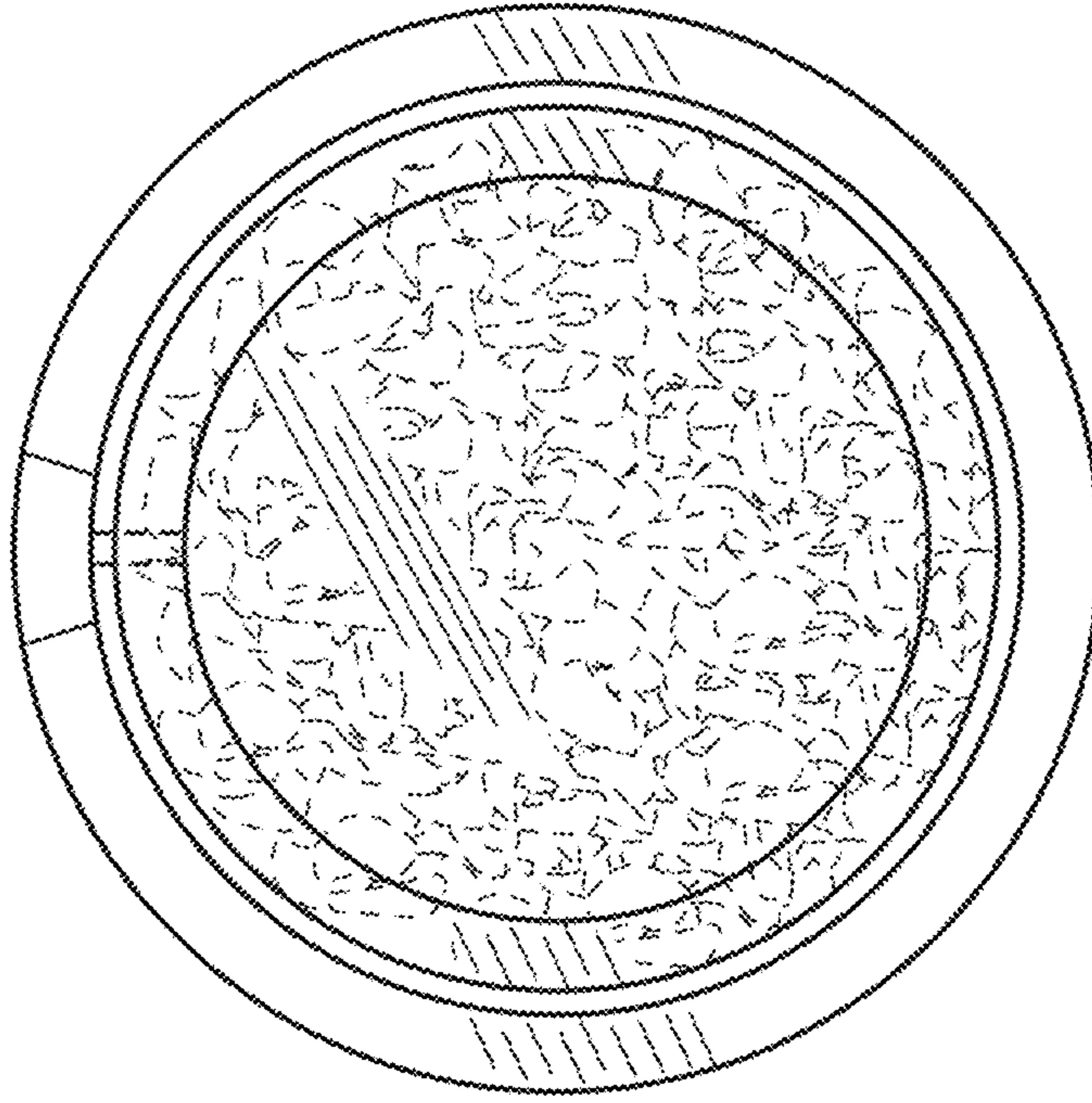


Fig. 15

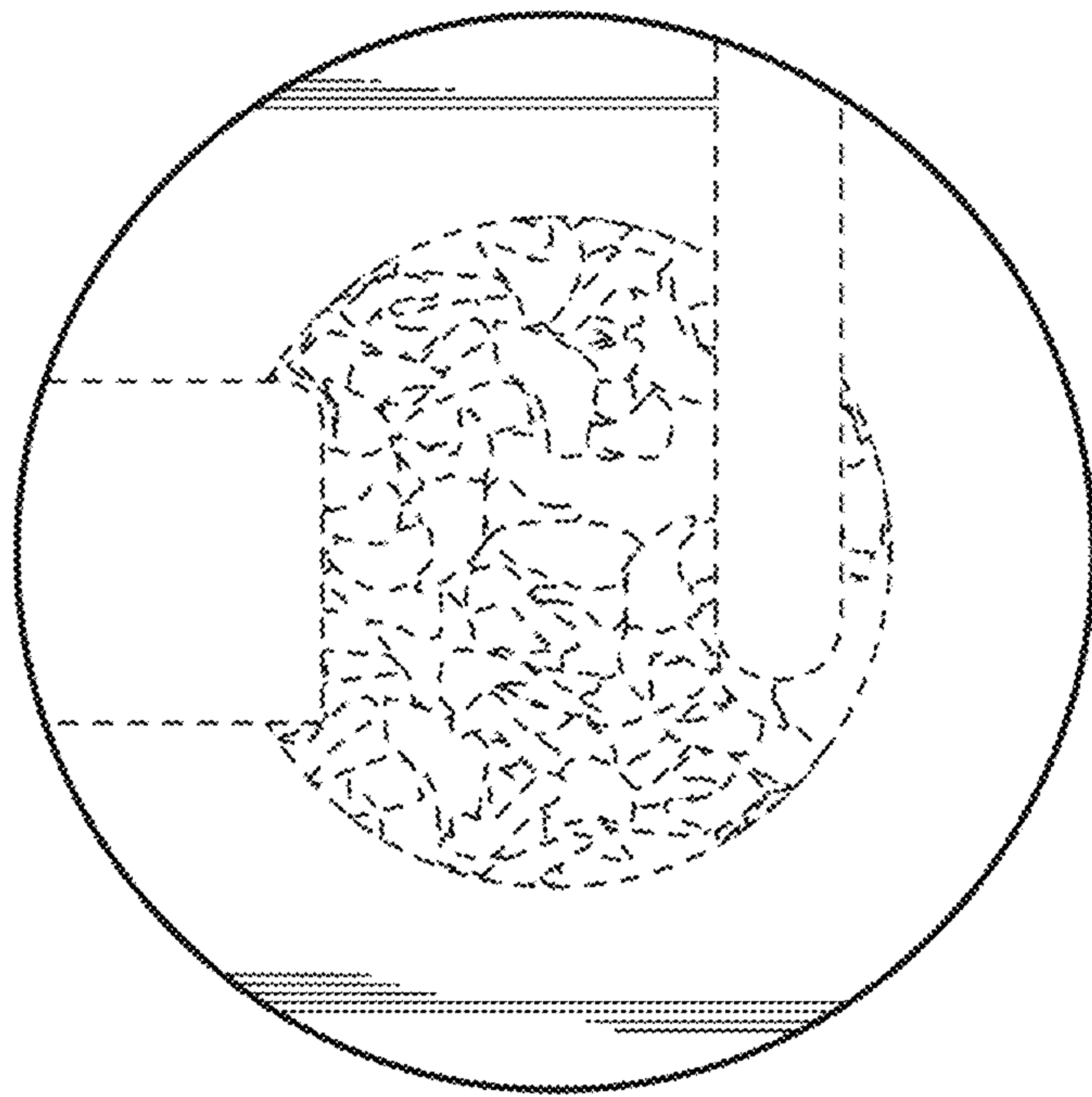


Fig. 16

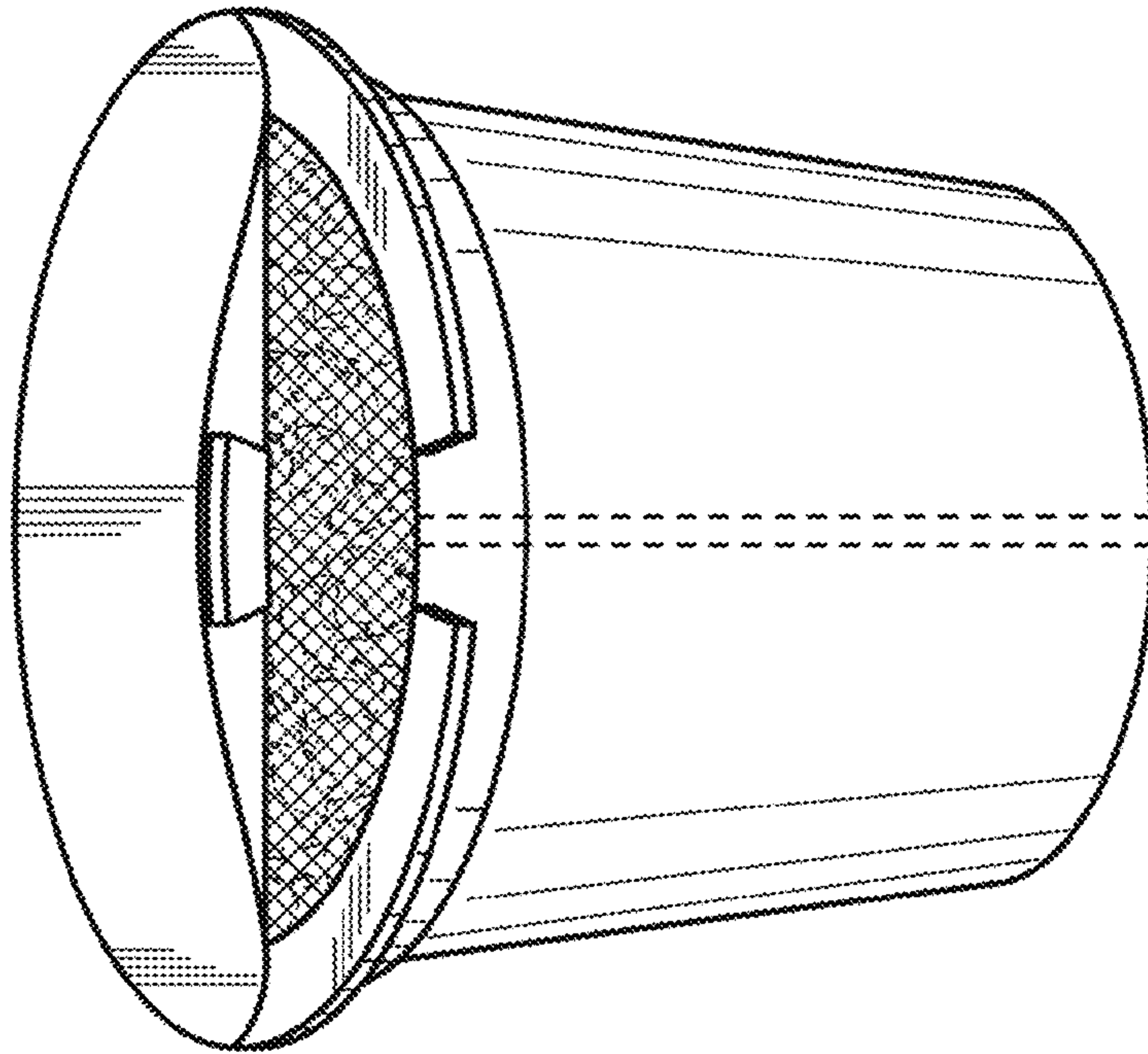


Fig. 17

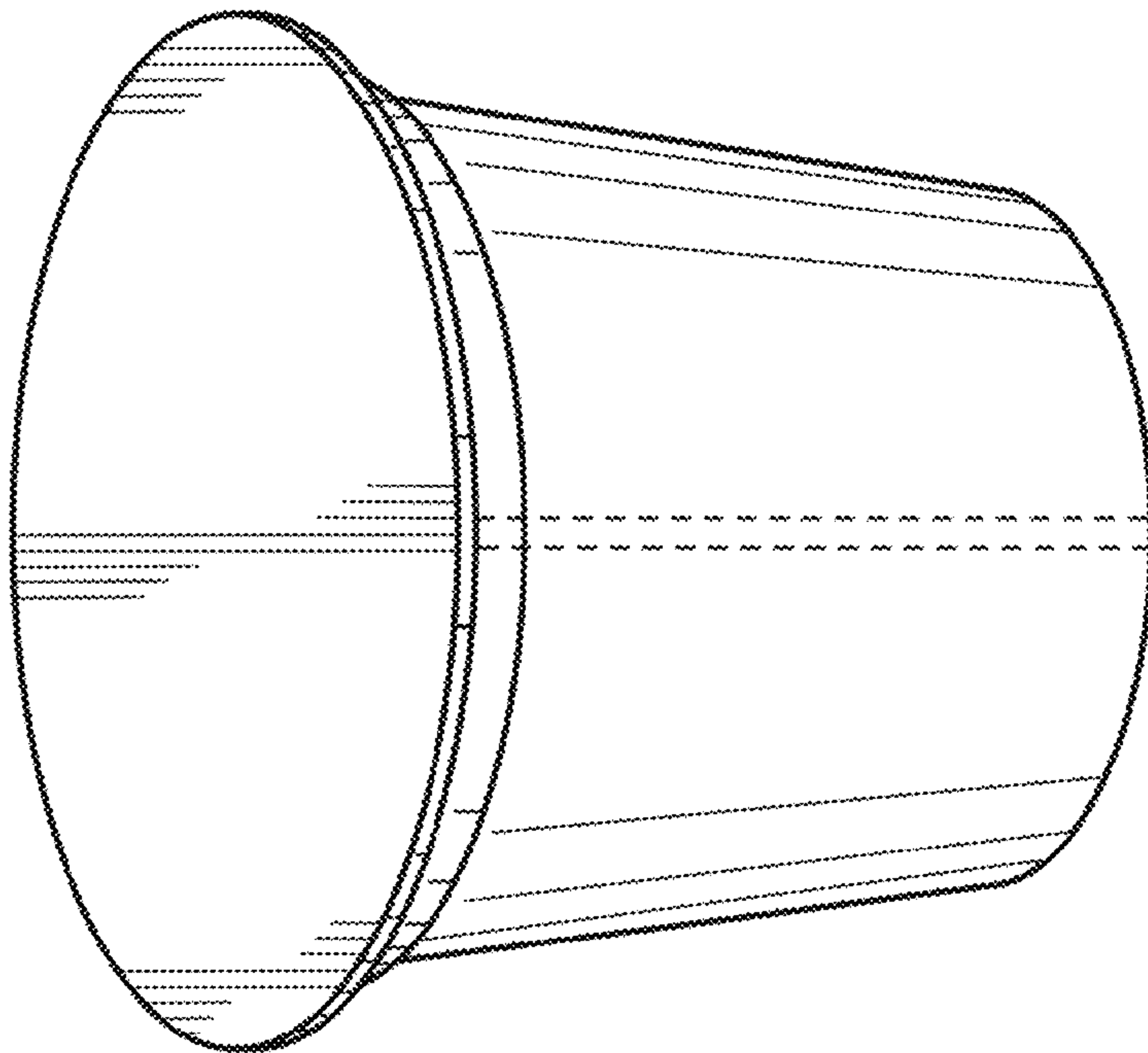


Fig. 18

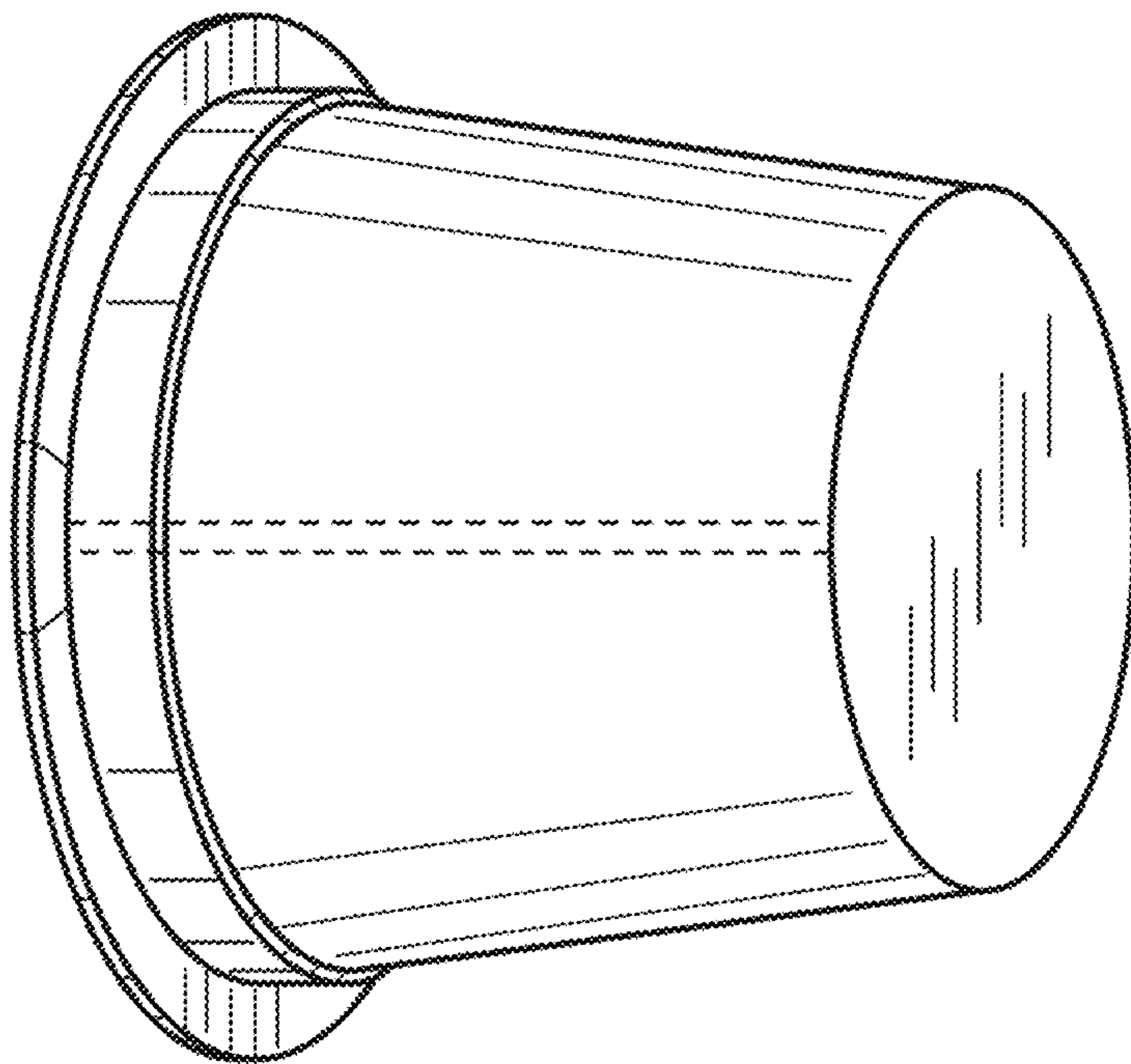


Fig. 19

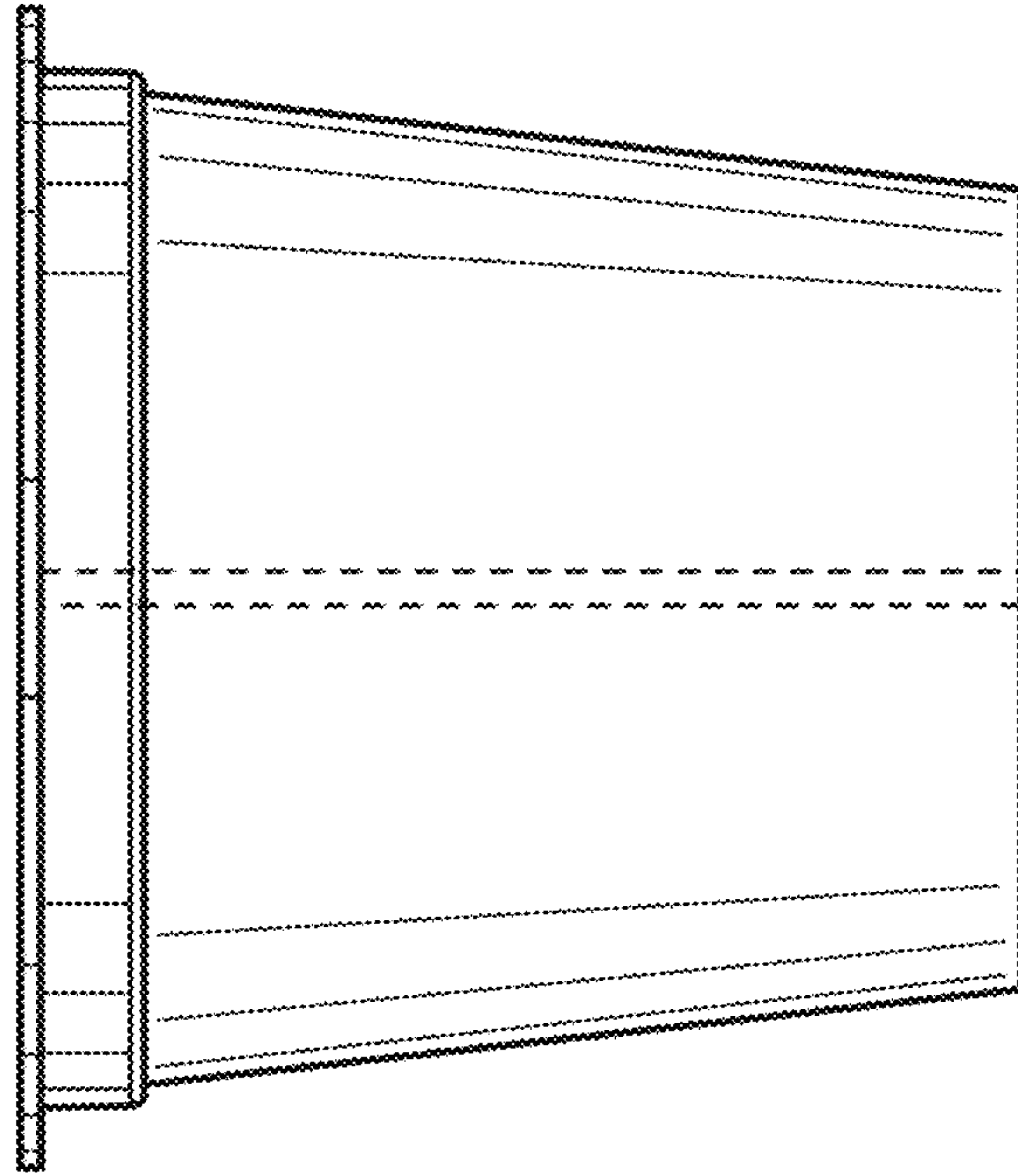


Fig. 20

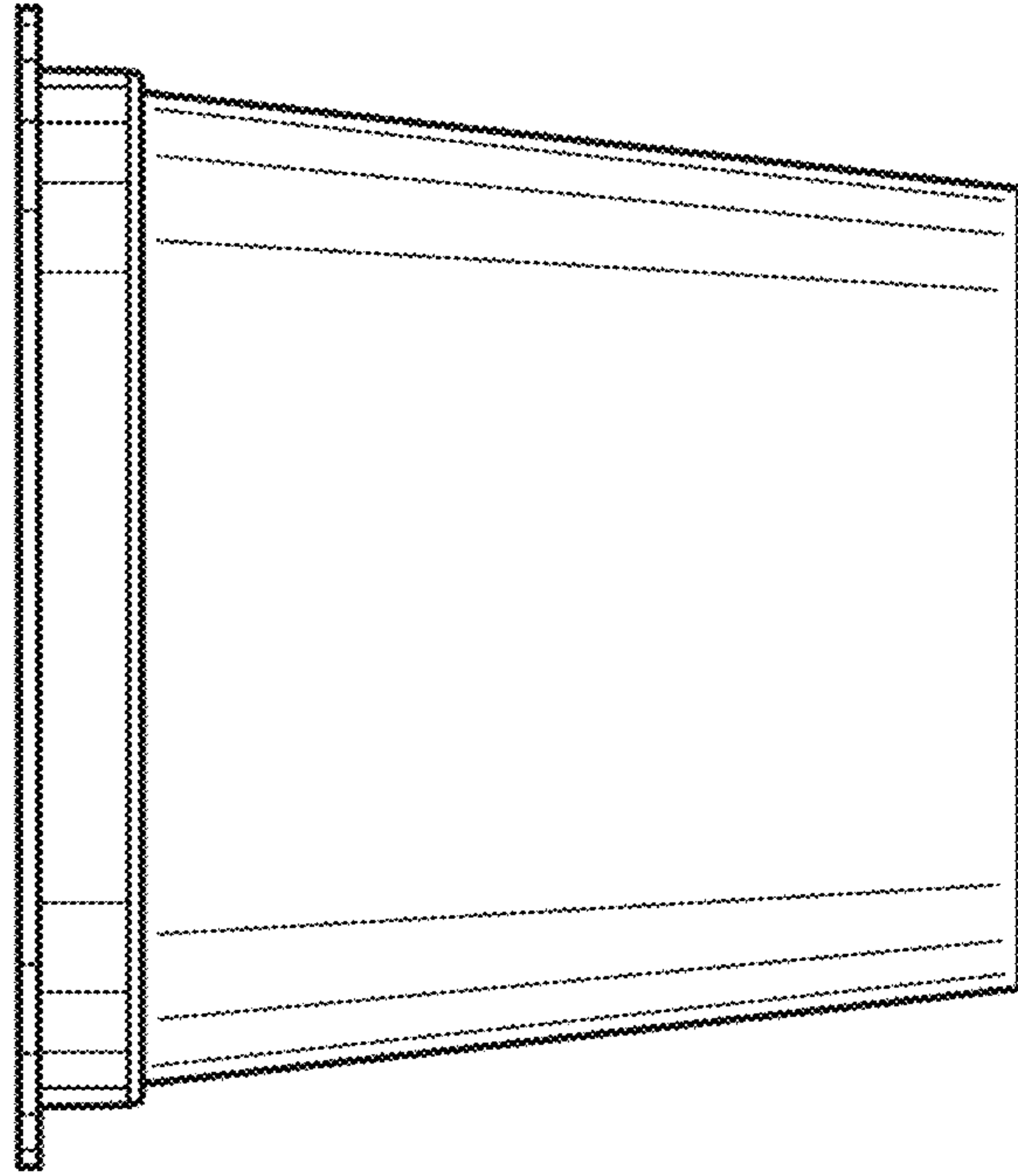


Fig. 21

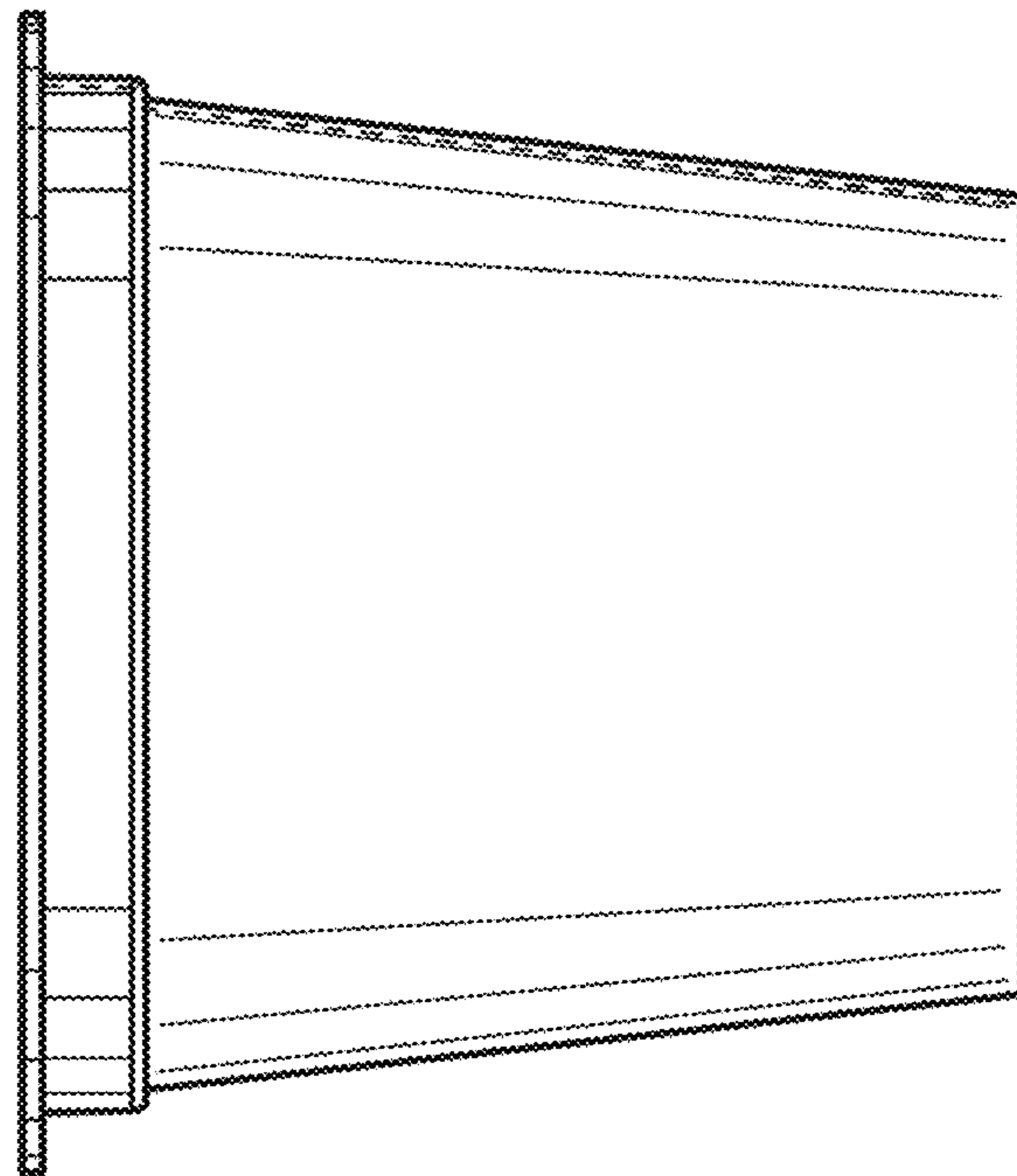


Fig. 22

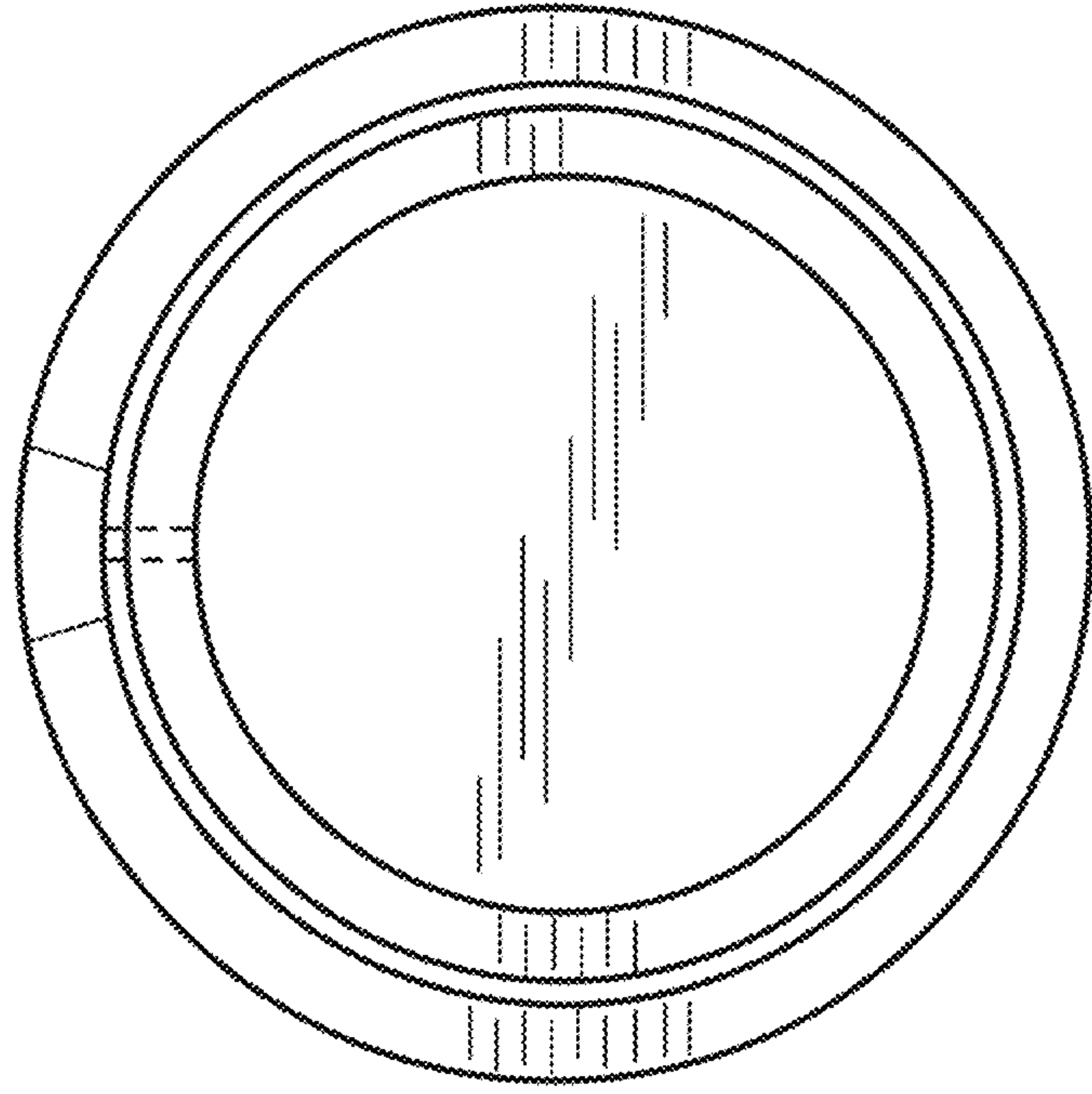


Fig. 24

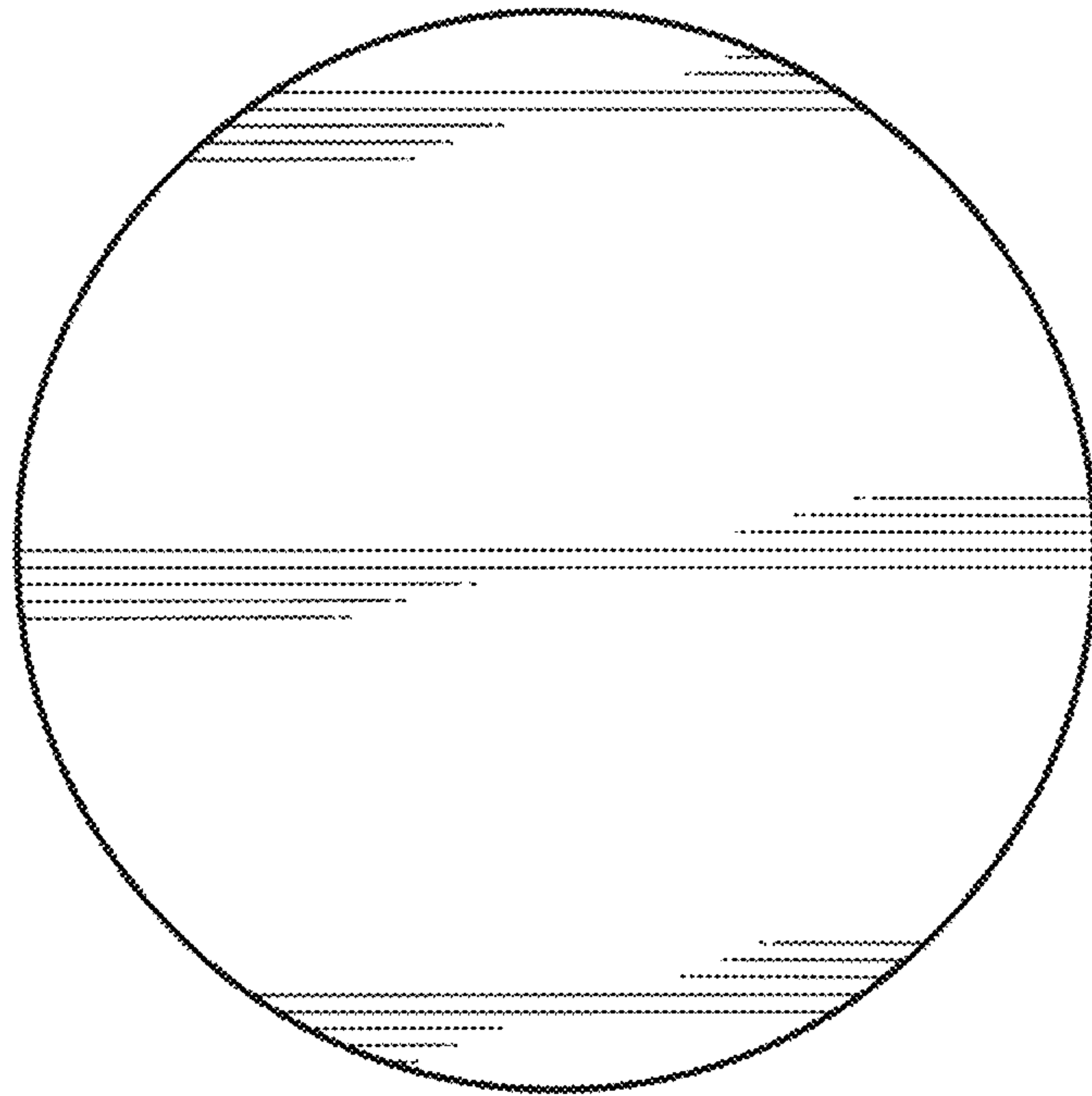


Fig. 23