



US00D770285S

(12) **United States Design Patent**  
**Luu et al.**

(10) **Patent No.:** **US D770,285 S**  
(45) **Date of Patent:** **\*\* Nov. 1, 2016**

- (54) **BOTTLE**
- (71) Applicant: **Le Chat**, Hercules, CA (US)
- (72) Inventors: **Newton Luu**, Hercules, CA (US);  
**Christina Kleppe**, Antioch, CA (US)
- (73) Assignee: **LeChat**, Hercules, CA (US)
- (\*\*) Term: **14 Years**
- (21) Appl. No.: **29/494,524**
- (22) Filed: **Jun. 20, 2014**
- (51) **LOC (10) Cl.** ..... **09-01**
- (52) **U.S. Cl.**  
USPC ..... **D9/502; D9/454; D9/503**
- (58) **Field of Classification Search**  
USPC ..... D9/434-435, 447, 452, 454, 500,  
D9/502-504, 516, 529, 530, 537-539,  
D9/548-549, 557-558, 682, 686, 688-692,  
D9/723; D4/116; D28/7, 76-77, 88  
CPC .. B65D 1/0002; B65D 1/0223; B65D 23/00;  
B65D 81/00; B65D 83/00; B65D 2501/00;  
B65D 2501/0009; A45D 34/00; A45D 34/42;  
A45D 34/45; A45D 34/46; A45D 34/48;  
A45D 34/06; A45D 2034/007; A45D  
40/0068; A45D 40/0075; A45D 40/26;  
A45D 40/262; A45D 40/264; A45D 40/265  
See application file for complete search history.

(56) **References Cited**

U.S. PATENT DOCUMENTS

- D111,313 S \* 9/1938 Titze ..... D7/597
- D116,813 S \* 9/1939 Bost ..... D7/589
- D117,843 S \* 11/1939 Smith ..... D9/502
- D166,116 S \* 3/1952 Menefee, Jr. .... D9/502
- 2,832,981 A \* 5/1958 Breuhan ..... B27G 11/02  
15/111
- 3,337,901 A \* 8/1967 Schefer ..... A45D 34/045  
132/74.5
- D208,885 S \* 10/1967 Roehrich ..... D9/503

- D216,250 S \* 12/1969 Kneapler ..... D9/500
- D252,445 S \* 7/1979 Rhodes ..... D9/504
- 4,189,245 A \* 2/1980 Bennett ..... A45D 34/045  
401/126
- 4,280,638 A \* 7/1981 Keihm ..... A47K 5/12  
222/180
- D316,034 S 4/1991 DeGaetano
- D329,592 S \* 9/1992 Crawford ..... D9/529
- D330,859 S \* 11/1992 Schaeffer ..... D9/503
- D344,804 S \* 3/1994 Muniz ..... D24/115
- D379,764 S \* 6/1997 Litton ..... D9/452
- D383,980 S \* 9/1997 Abfier ..... D9/502
- D469,356 S 1/2003 Vo
- 6,966,716 B2 \* 11/2005 Pink ..... A45D 34/045  
401/126
- 7,311,457 B2 \* 12/2007 Pink ..... A45D 34/045  
16/430
- D561,027 S 2/2008 Nguyen
- D604,167 S \* 11/2009 Tran ..... D9/453
- D695,121 S \* 12/2013 Seo ..... D9/454
- D701,124 S \* 3/2014 O'Hara ..... D9/624
- D721,966 S \* 2/2015 Mathiez ..... D9/504
- 2002/0039513 A1 \* 4/2002 Pink ..... A45D 34/045  
401/129
- 2006/0213863 A1 \* 9/2006 Tran ..... B65D 1/0276  
215/382

\* cited by examiner

*Primary Examiner* — Dana L Meyrow

(74) *Attorney, Agent, or Firm* — Aka Chan LLP

(57) **CLAIM**

The ornamental design for a bottle, as shown and described.

**DESCRIPTION**

FIG. 1 is a top, front right side perspective view of a bottle showing our new design;

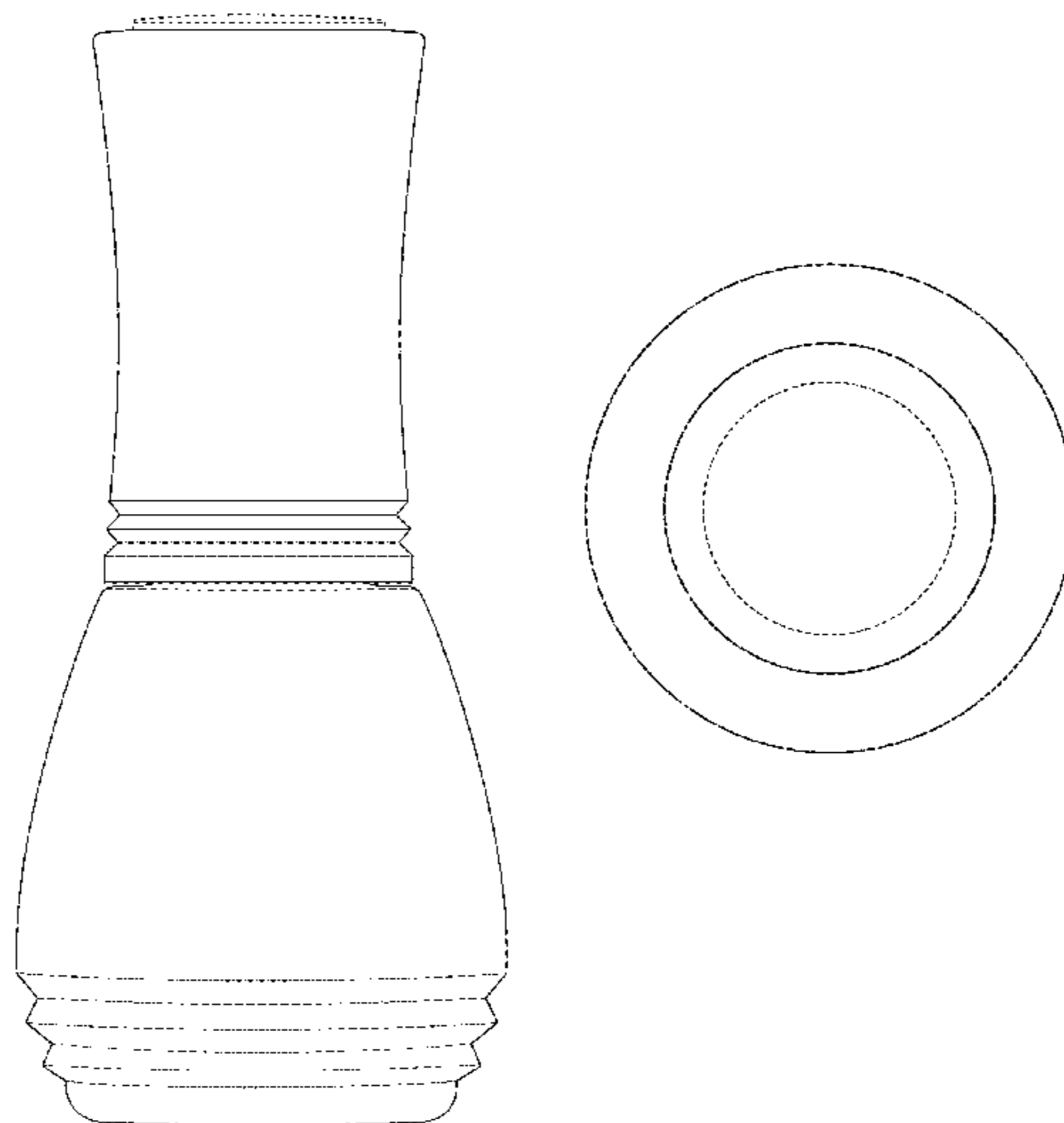
FIG. 2 is a side elevation view thereof, the opposing side, front and rear elevation views being identical;

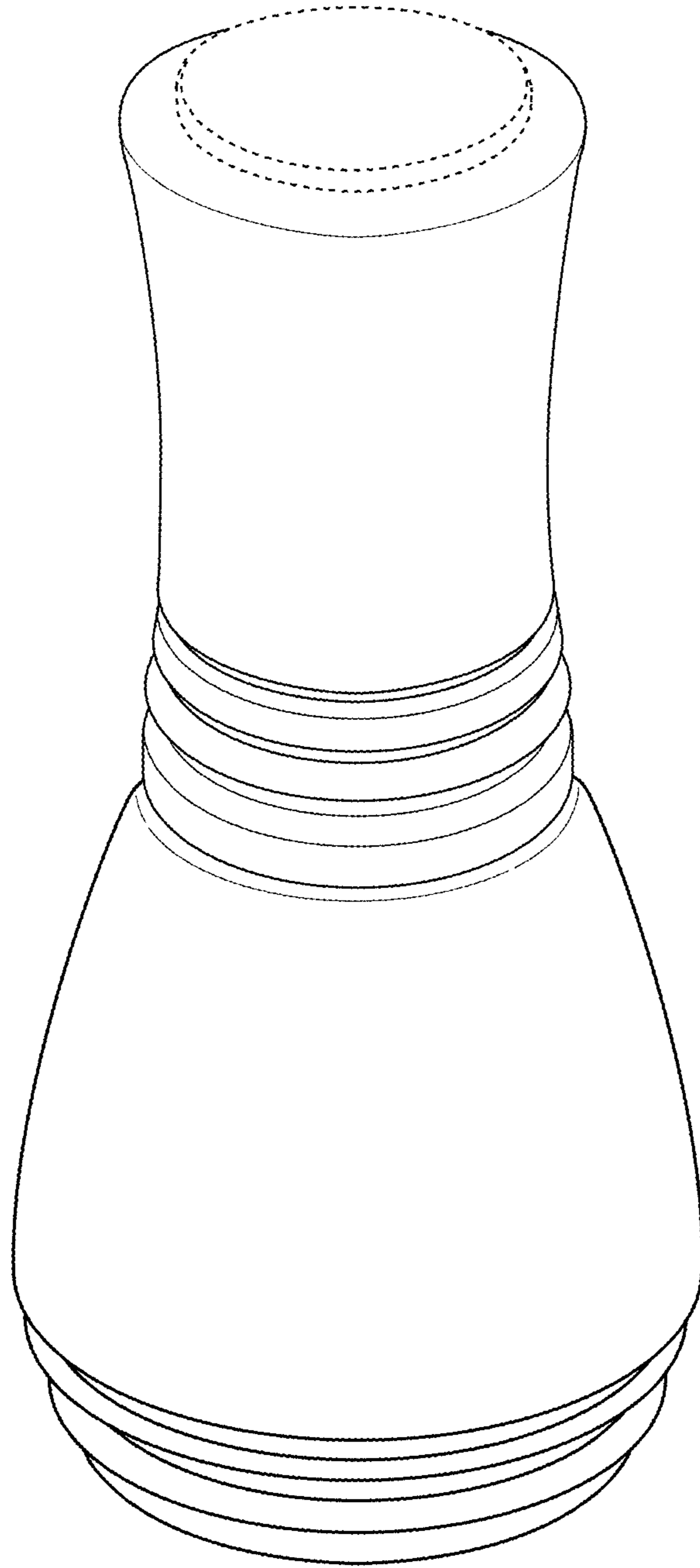
FIG. 3 is a top plan view thereof; and,

FIG. 4 is a bottom plan view thereof.

The broken lines in the drawings illustrate the portions of the bottle that form no part of the claim.

**1 Claim, 4 Drawing Sheets**





**FIG. 1**

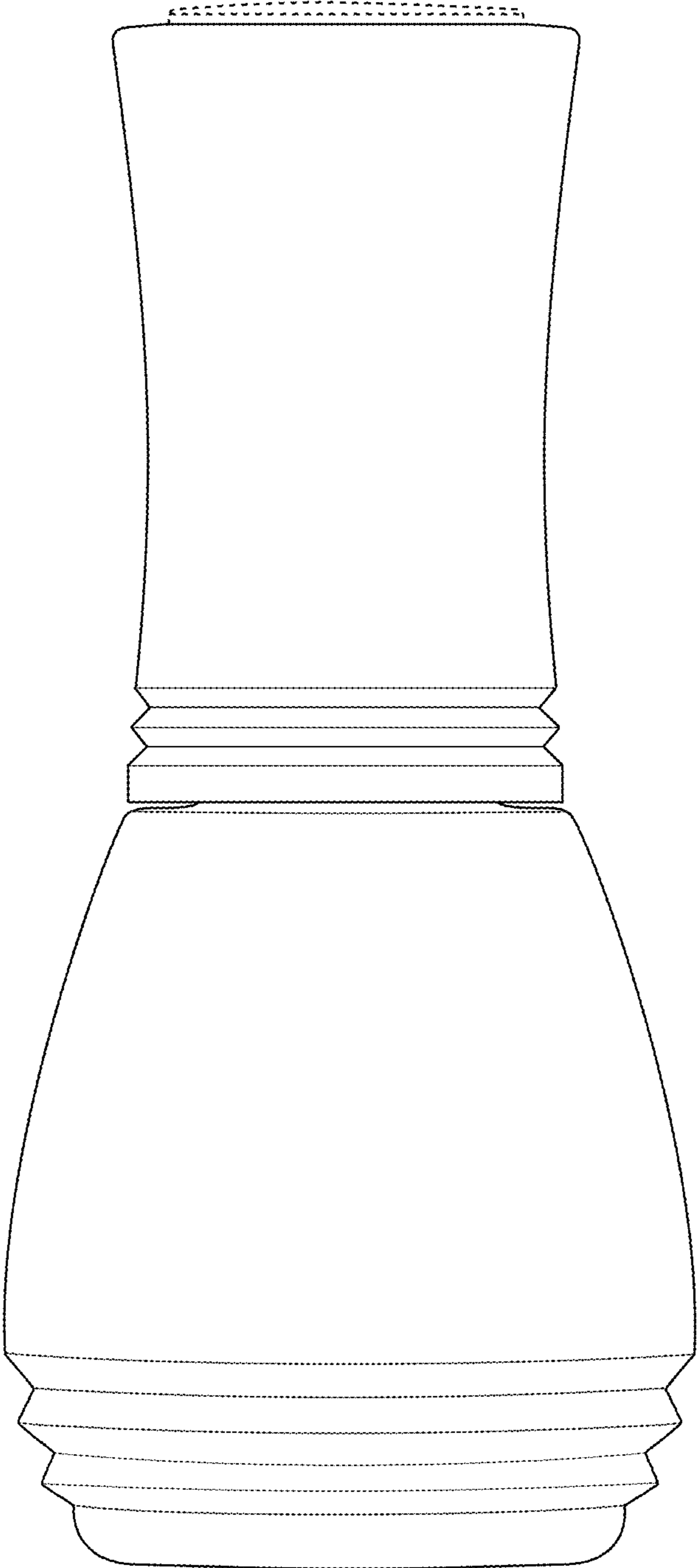
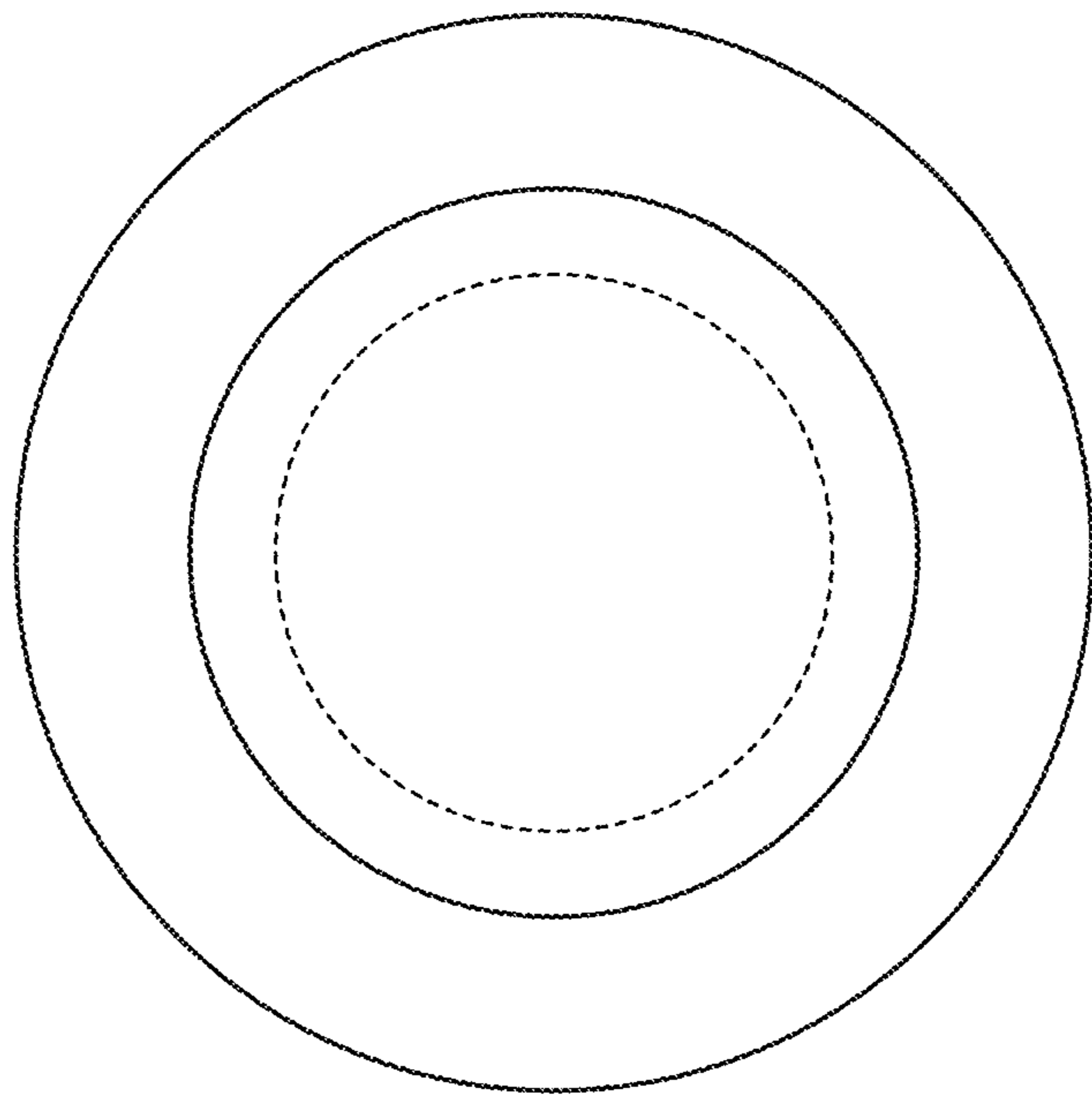
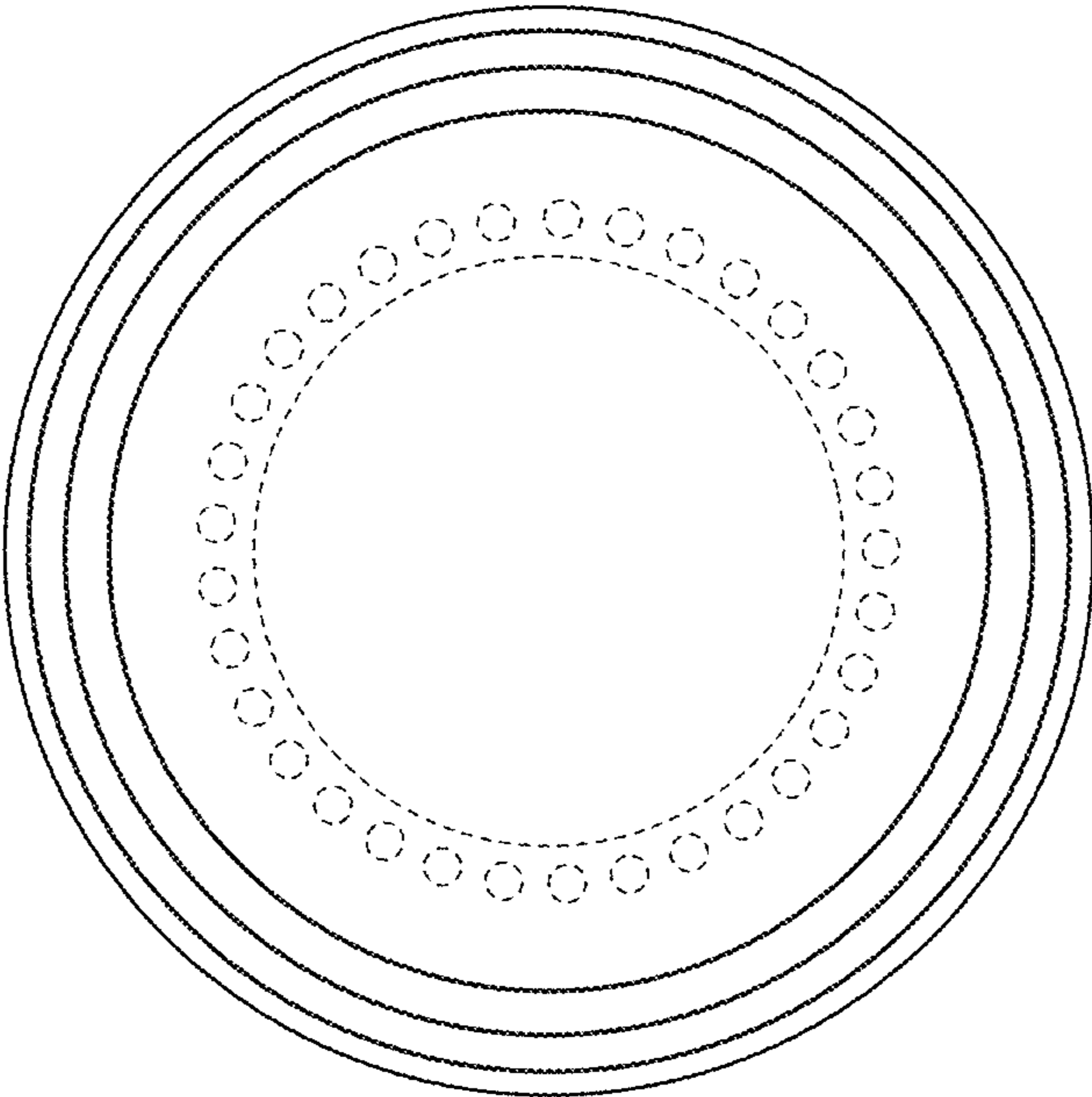


FIG. 2



**FIG. 3**



**FIG. 4**