



US00D770284S

(12) **United States Design Patent**  
**Luu et al.**

(10) **Patent No.:** **US D770,284 S**  
(45) **Date of Patent:** **\*\* Nov. 1, 2016**

- (54) **BOTTLE**
- (71) Applicant: **Le Chat**, Hercules, CA (US)
- (72) Inventors: **Newton Luu**, Hercules, CA (US);  
**Christina Kleppe**, Antioch, CA (US)
- (73) Assignee: **LeChat**, Hercules, CA (US)
- (\*\*) Term: **14 Years**
- (21) Appl. No.: **29/494,522**
- (22) Filed: **Jun. 20, 2014**
- (51) **LOC (10) Cl.** ..... **09-01**
- (52) **U.S. Cl.**  
USPC ..... **D9/502; D9/452; D9/454; D9/503**
- (58) **Field of Classification Search**  
USPC ..... D9/434-435, 447, 452, 454, 500,  
D9/502-504, 516, 529, 530, 537-539,  
D9/548-549, 557-558, 682, 686, 688-692,  
D9/723; D4/116; D28/7, 76-77, 88  
CPC .. B65D 1/0002; B65D 1/0223; B65D 23/00;  
B65D 81/00; B65D 83/00; B65D 2501/00;  
B65D 2501/0009; A45D 34/00; A45D 34/42;  
A45D 34/45; A45D 34/46; A45D 34/48;  
A45D 34/06; A45D 2034/007; A45D  
40/0068; A45D 40/0075; A45D 40/26;  
A45D 40/262; A45D 40/264; A45D 40/265  
See application file for complete search history.

(56) **References Cited**  
U.S. PATENT DOCUMENTS

D111,313 S *	9/1938	Titze .....	D7/597
D116,813 S *	9/1939	Bost .....	D7/589
D117,843 S *	11/1939	Smith .....	D9/502
D166,116 S *	3/1952	Menefee, Jr. ....	D9/502
2,832,981 A *	5/1958	Breuhan .....	B27G 11/02 15/111
3,337,901 A *	8/1967	Schefer .....	A45D 34/045 132/74.5
D208,885 S *	10/1967	Roehrich .....	D9/503

D216,250 S *	12/1969	Kneapler .....	D9/500
D252,445 S *	7/1979	Rhodes .....	D9/504
4,189,245 A *	2/1980	Bennett .....	A45D 34/045 401/126
4,280,638 A *	7/1981	Keihm .....	A47K 5/12 222/180
D316,034 S	4/1991	DeGaetano	
D329,592 S *	9/1992	Crawford .....	D9/529
D330,859 S *	11/1992	Schaeffer .....	D9/503
D344,804 S *	3/1994	Muniz .....	D24/115
D379,764 S *	6/1997	Litton .....	D9/452
D383,980 S *	9/1997	Abfier .....	D9/502
D469,356 S	1/2003	Vo	
6,966,716 B2 *	11/2005	Pink .....	A45D 34/045 401/126
7,311,457 B2 *	12/2007	Pink .....	A45D 34/045 16/430
D561,027 S	2/2008	Nguyen	
D604,167 S *	11/2009	Tran .....	D9/453
D695,121 S *	12/2013	Seo .....	D9/454
D701,124 S *	3/2014	O'Hara .....	D9/624
D721,966 S *	2/2015	Mathiez .....	D9/504
2002/0039513 A1 *	4/2002	Pink .....	A45D 34/045 401/129
2006/0213863 A1 *	9/2006	Tran .....	B65D 1/0276 215/382

\* cited by examiner

*Primary Examiner* — Dana L Meyrow

(74) *Attorney, Agent, or Firm* — Aka Chan LLP

(57) **CLAIM**

The ornamental design for a bottle, as shown and described.

**DESCRIPTION**

FIG. 1 is a top, front right side perspective view of a bottle showing our new design;

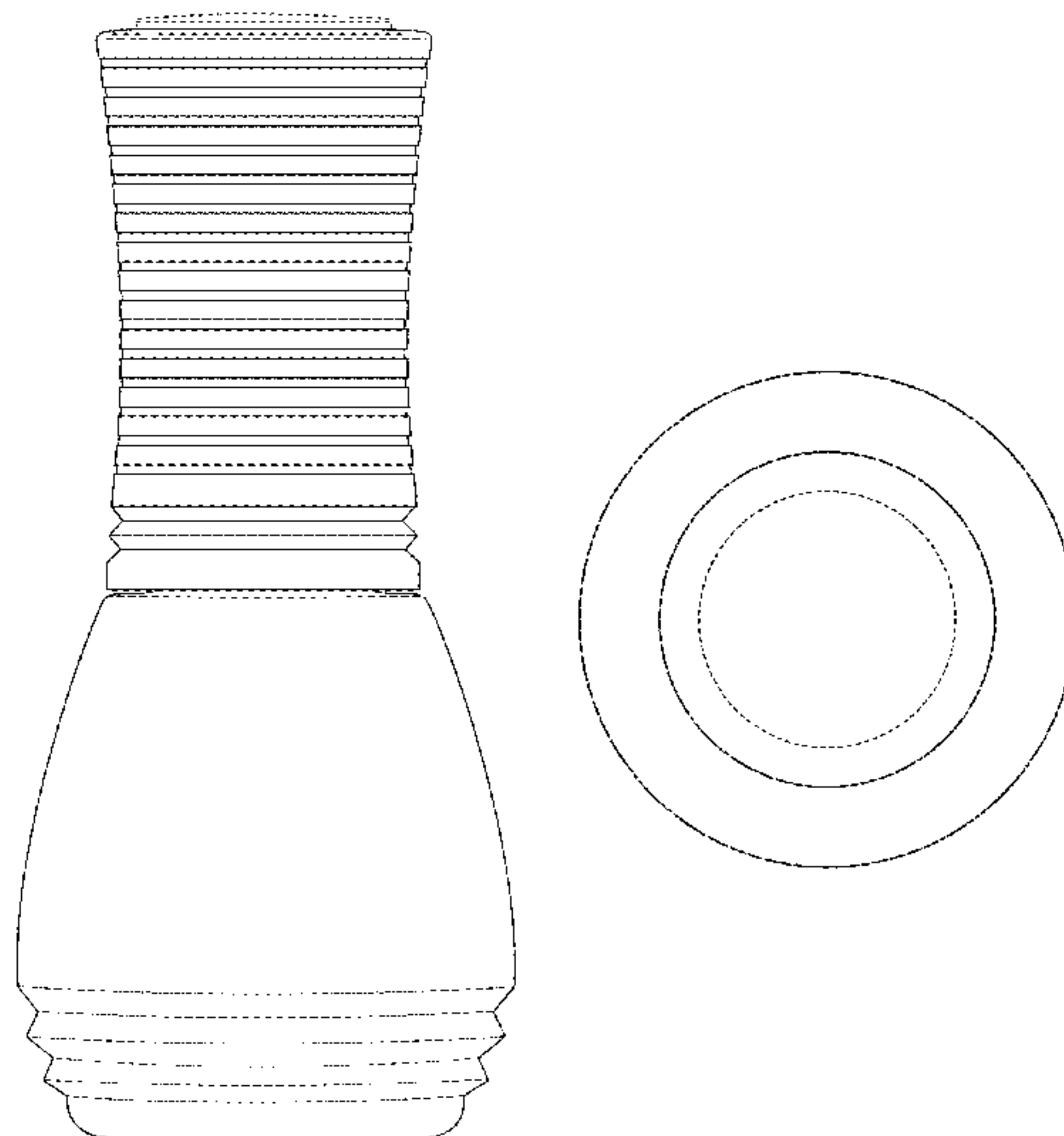
FIG. 2 is a side elevation view thereof, the opposing side, front and rear elevation views being identical;

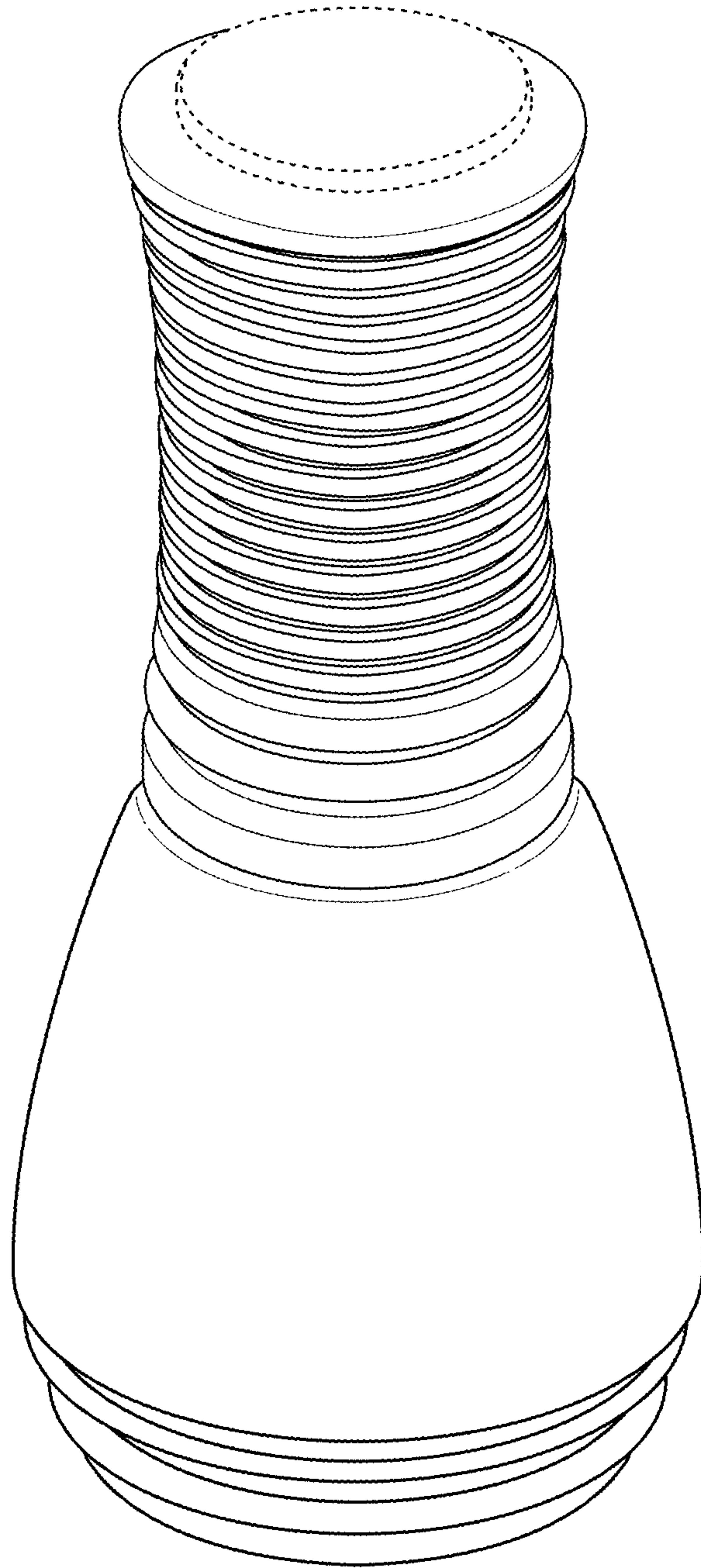
FIG. 3 is a top plan view thereof; and,

FIG. 4 is a bottom plan view thereof.

The broken lines in the drawings illustrate the portions of the bottle that form no part of the claim.

**1 Claim, 4 Drawing Sheets**





**FIG. 1**

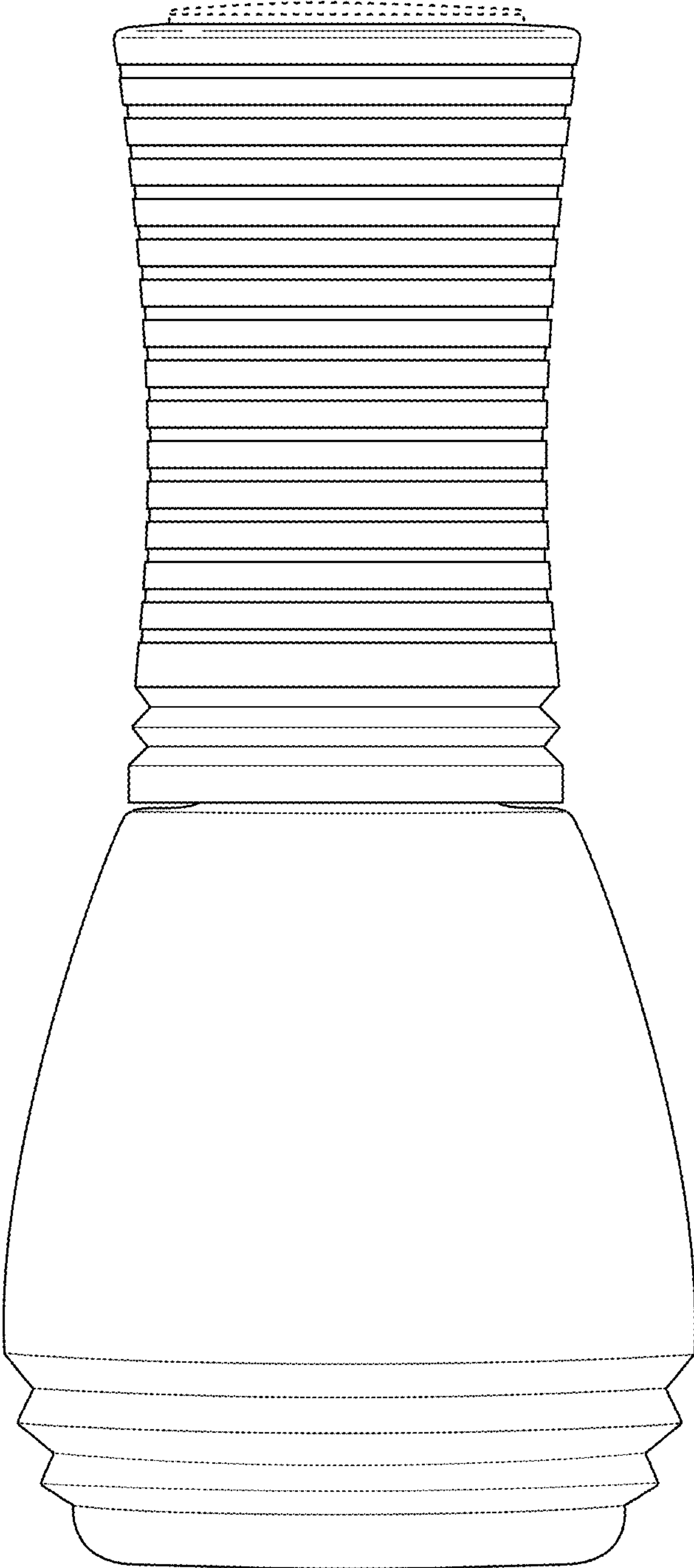
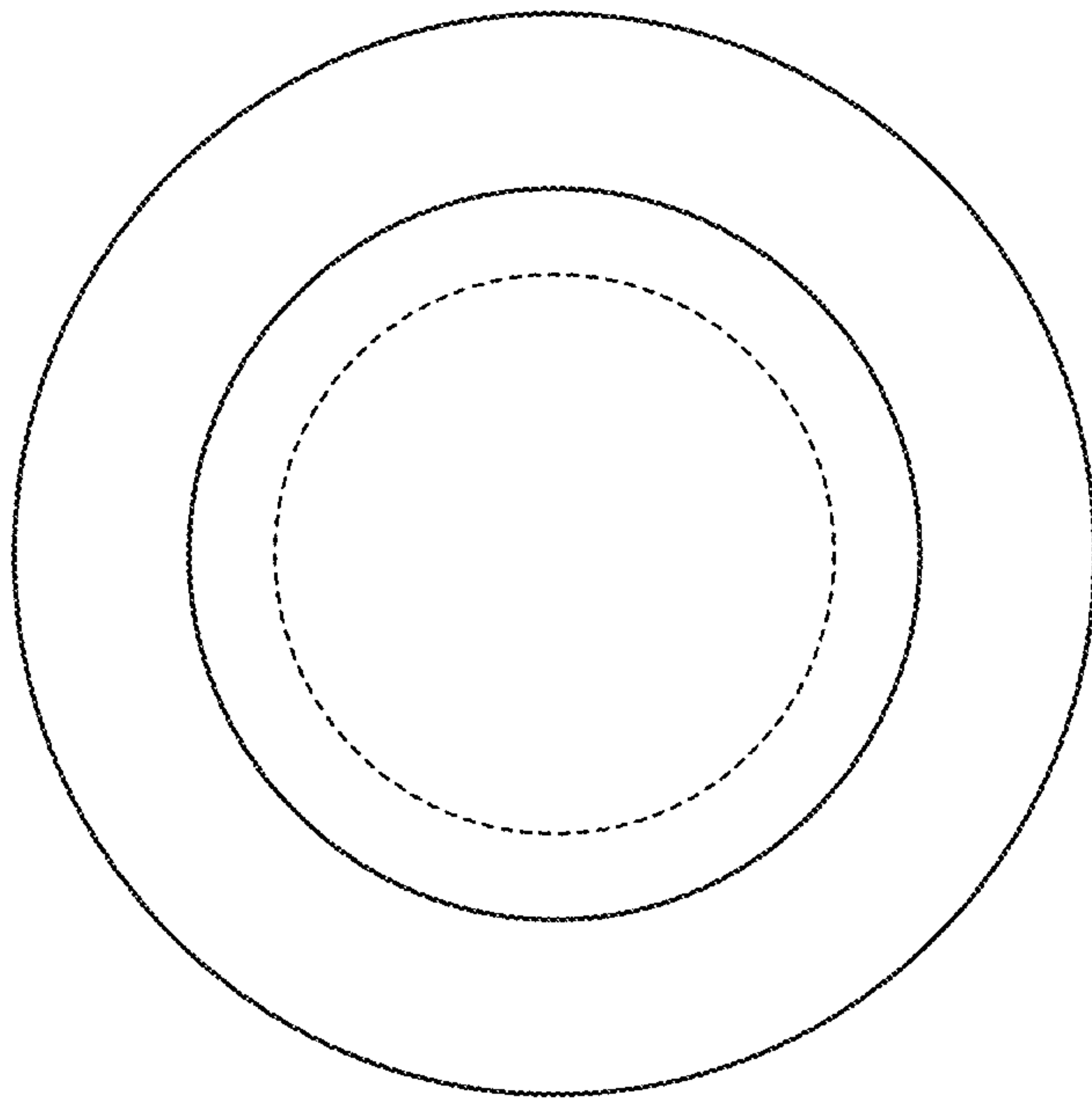


FIG. 2



**FIG. 3**

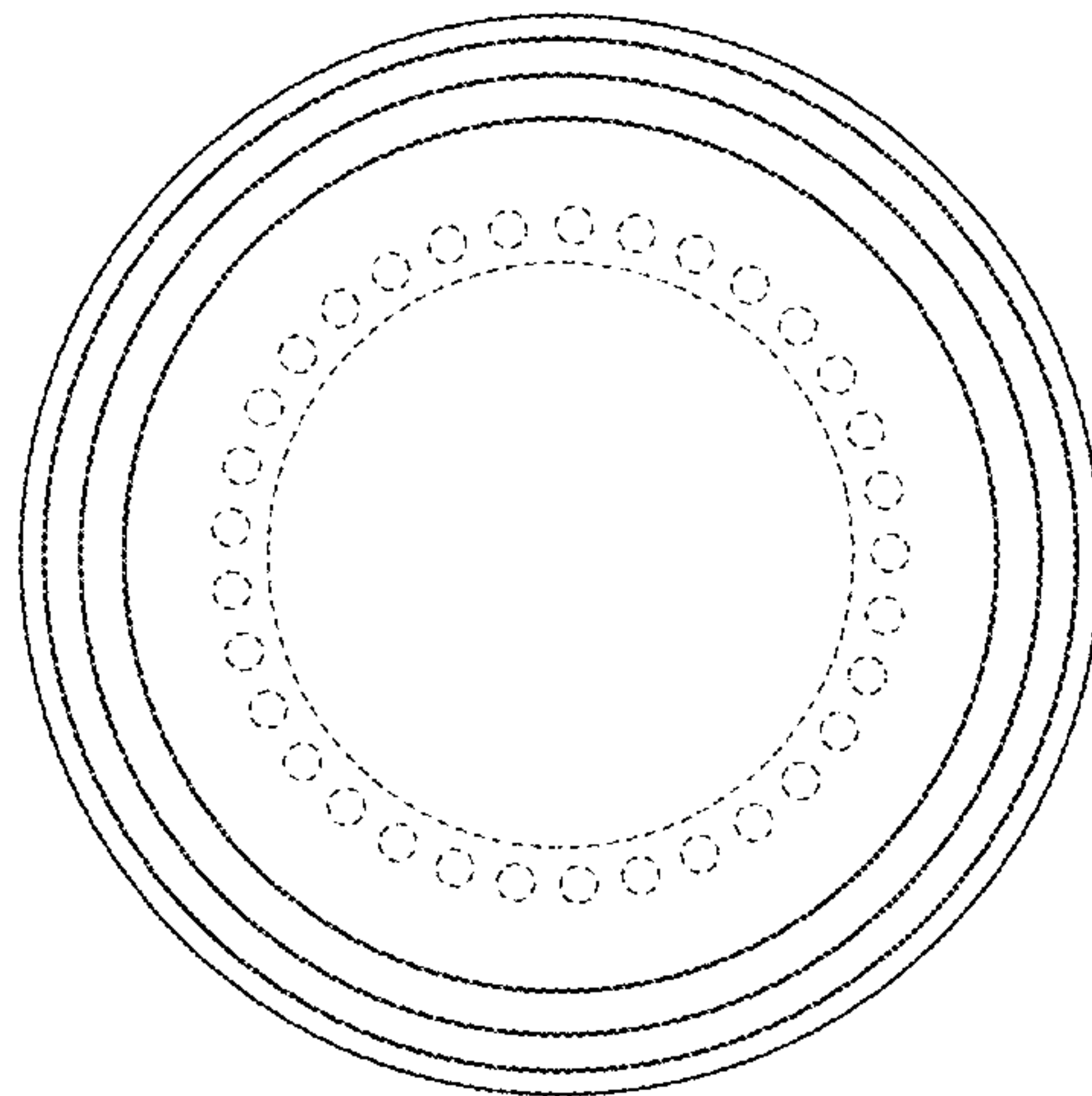


FIG. 4