

US00D770281S

(12) **United States Design Patent** (10) **Patent No.:** **US D770,281 S**
Kim (45) **Date of Patent:** **** Nov. 1, 2016**

(54) **CAP FOR A CONTAINER**
(71) Applicant: **KSP Co., Ltd.**, Seoul (KR)
(72) Inventor: **Sang Sun Kim**, Kyunggi-Do (KR)
(73) Assignee: **KSP Co., Ltd.**, Seoul (KR)
(**) Term: **14 Years**

(21) Appl. No.: **29/490,904**
(22) Filed: **May 15, 2014**

(30) **Foreign Application Priority Data**
Nov. 15, 2013 (KR) 3020130057699
(51) **LOC (10) Cl.** **09-07**
(52) **U.S. Cl.**
USPC **D9/452**
(58) **Field of Classification Search**
USPC D9/435, 436, 443, 445, 449, 450, 452,
D9/453, 454
CPC B65D 51/243; B65D 41/16
See application file for complete search history.

(56) **References Cited**
U.S. PATENT DOCUMENTS
D568,450 S * 5/2008 King, Jr. D23/261
D679,597 S * 4/2013 Tamarindo D9/443

D681,460 S * 5/2013 Kim D9/443
D682,694 S * 5/2013 van den Hoonaard D9/445
D684,055 S * 6/2013 Kwon D9/452
D684,056 S * 6/2013 Kwon D9/452
D705,061 S * 5/2014 Jo D9/435
D705,062 S * 5/2014 Jo D9/435
D735,038 S * 7/2015 Tamarindo D9/454

* cited by examiner

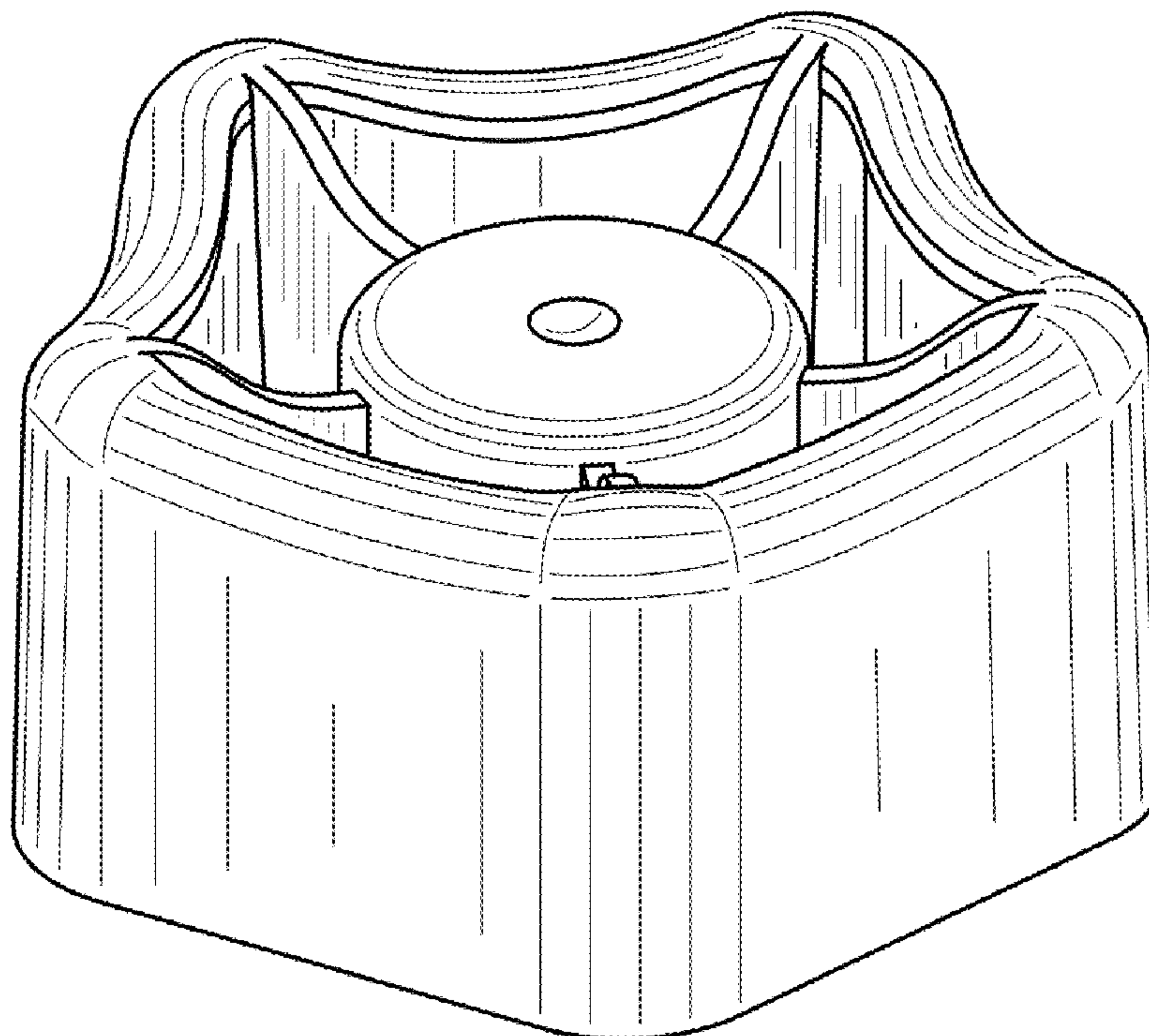
Primary Examiner — Robert M Spear
(74) *Attorney, Agent, or Firm* — Hunter E. Webb;
Keohane & D'Alessandro, PLLC

(57) **CLAIM**
The ornamental design for a cap for a container, as shown and described.

DESCRIPTION

FIG. 1 is an isometric view of a cap for a container showing my new design;
FIG. 2 is another isometric view thereof;
FIG. 3 a side view thereof;
FIG. 4 is another side view thereof;
FIG. 5 is another side view thereof;
FIG. 6 is another side view thereof;
FIG. 7 is a top view thereof; and,
FIG. 8 is a bottom view thereof.
The broken line showing of portions of the cap interior depicts environment and forms no part of the claim.

1 Claim, 4 Drawing Sheets



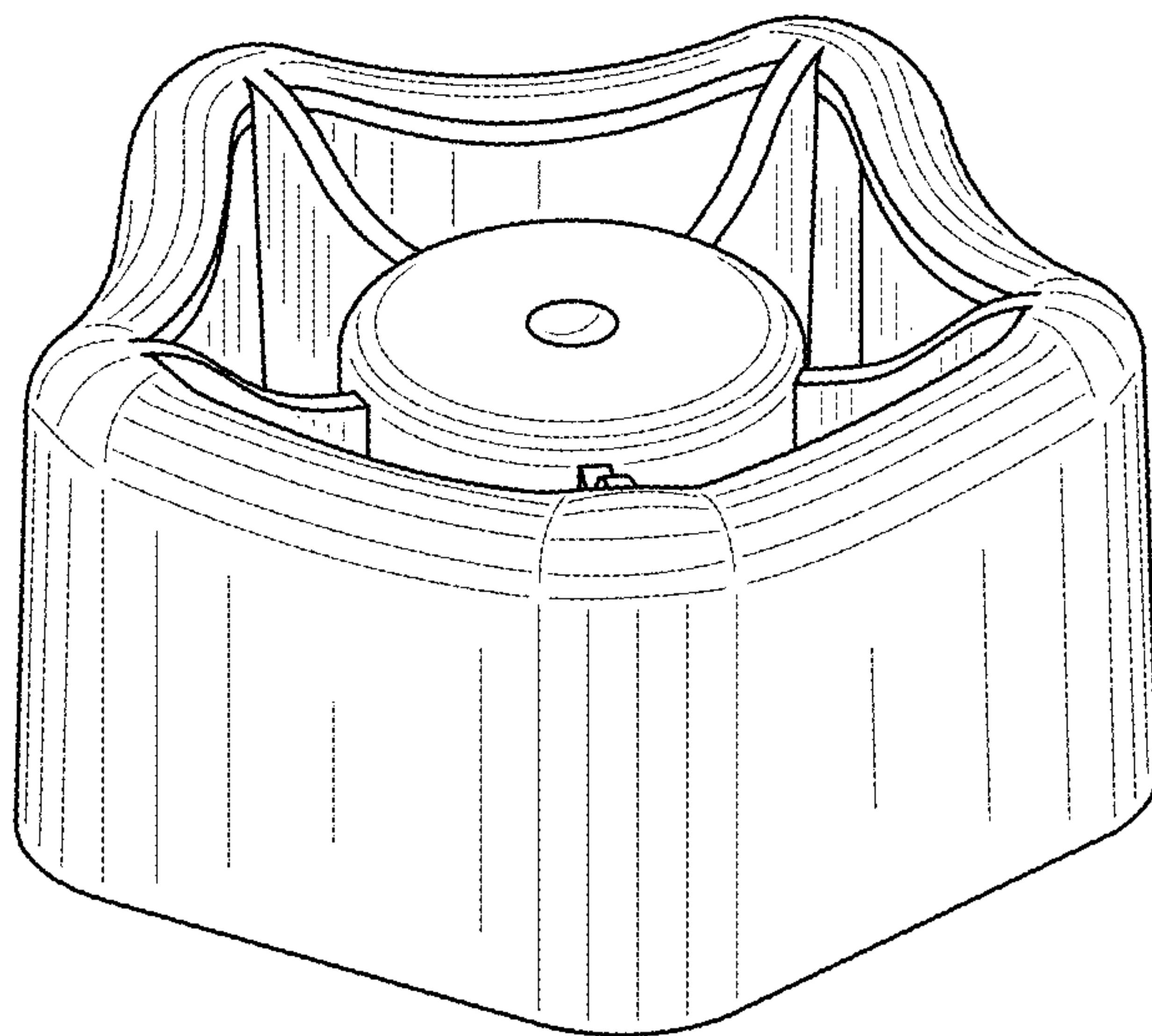


FIG. 1

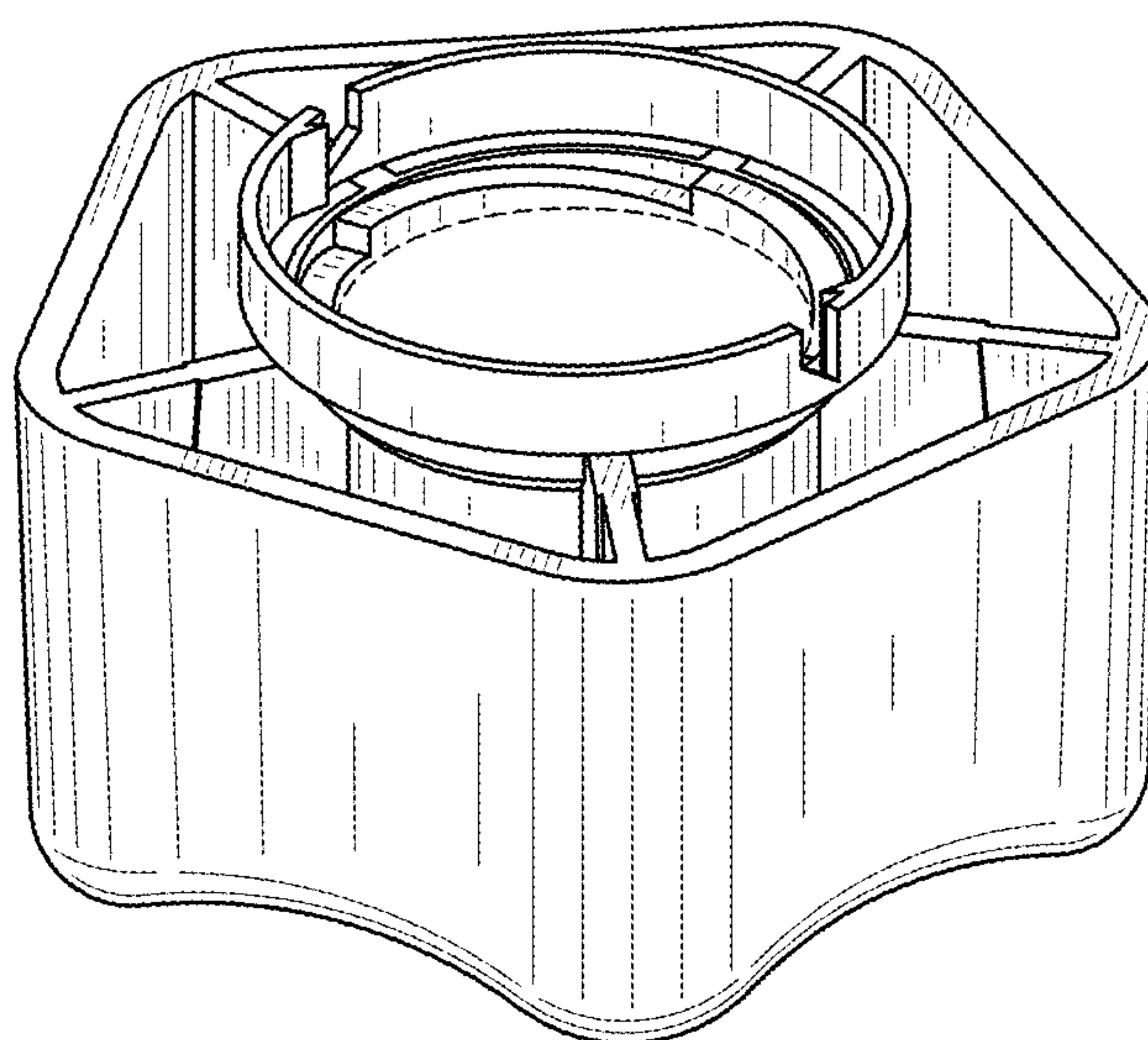


FIG. 2

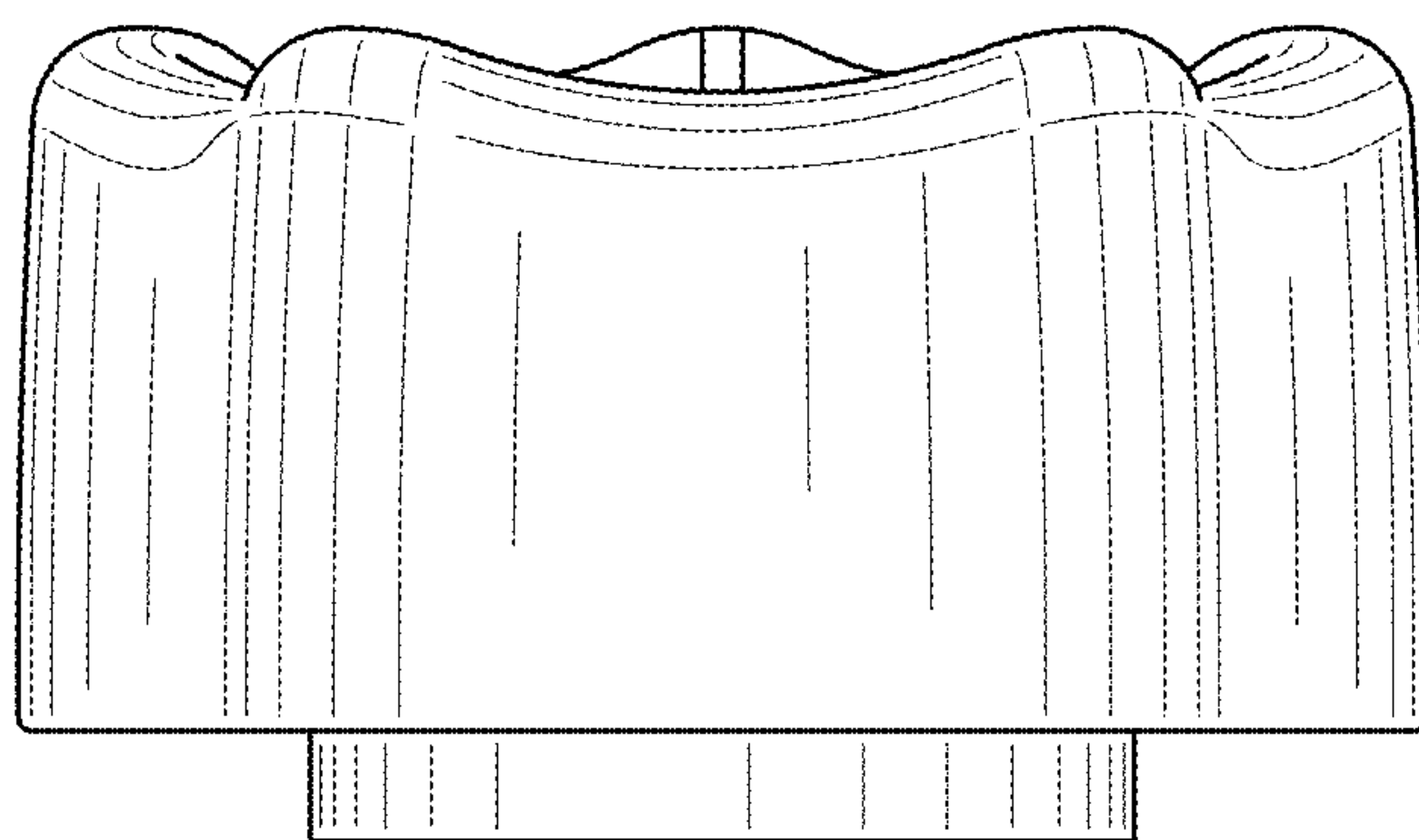


FIG. 3

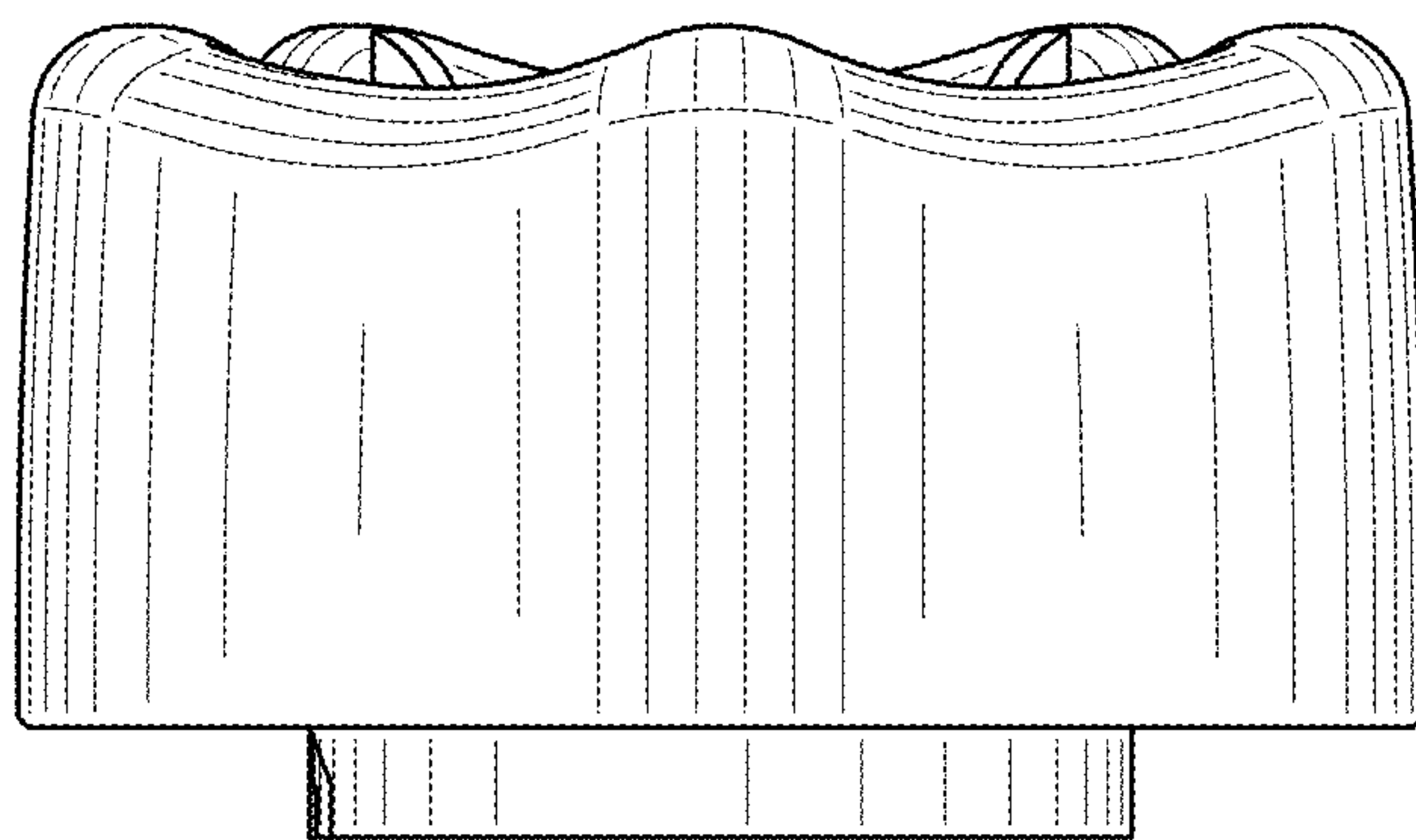


FIG. 4

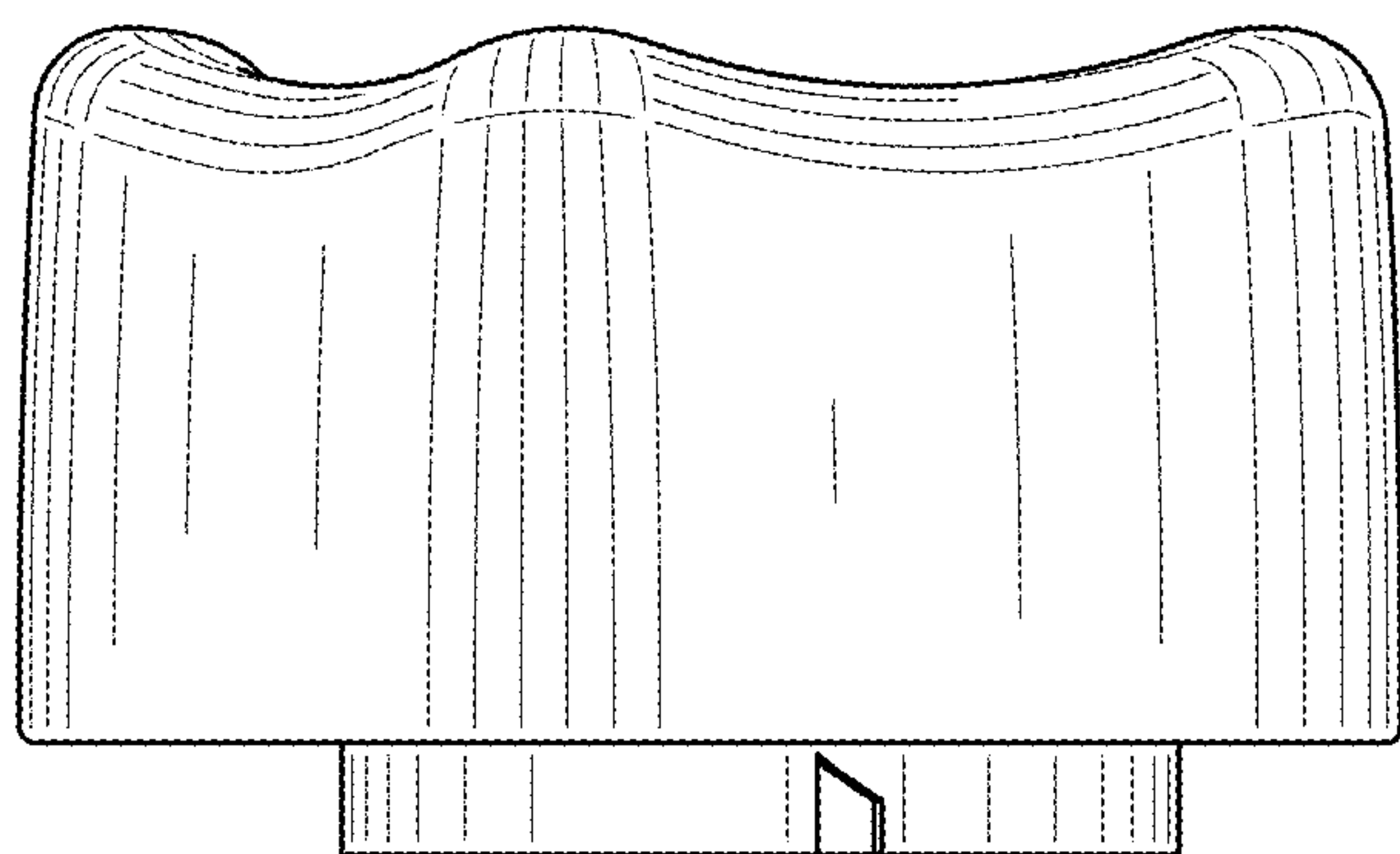


FIG. 5

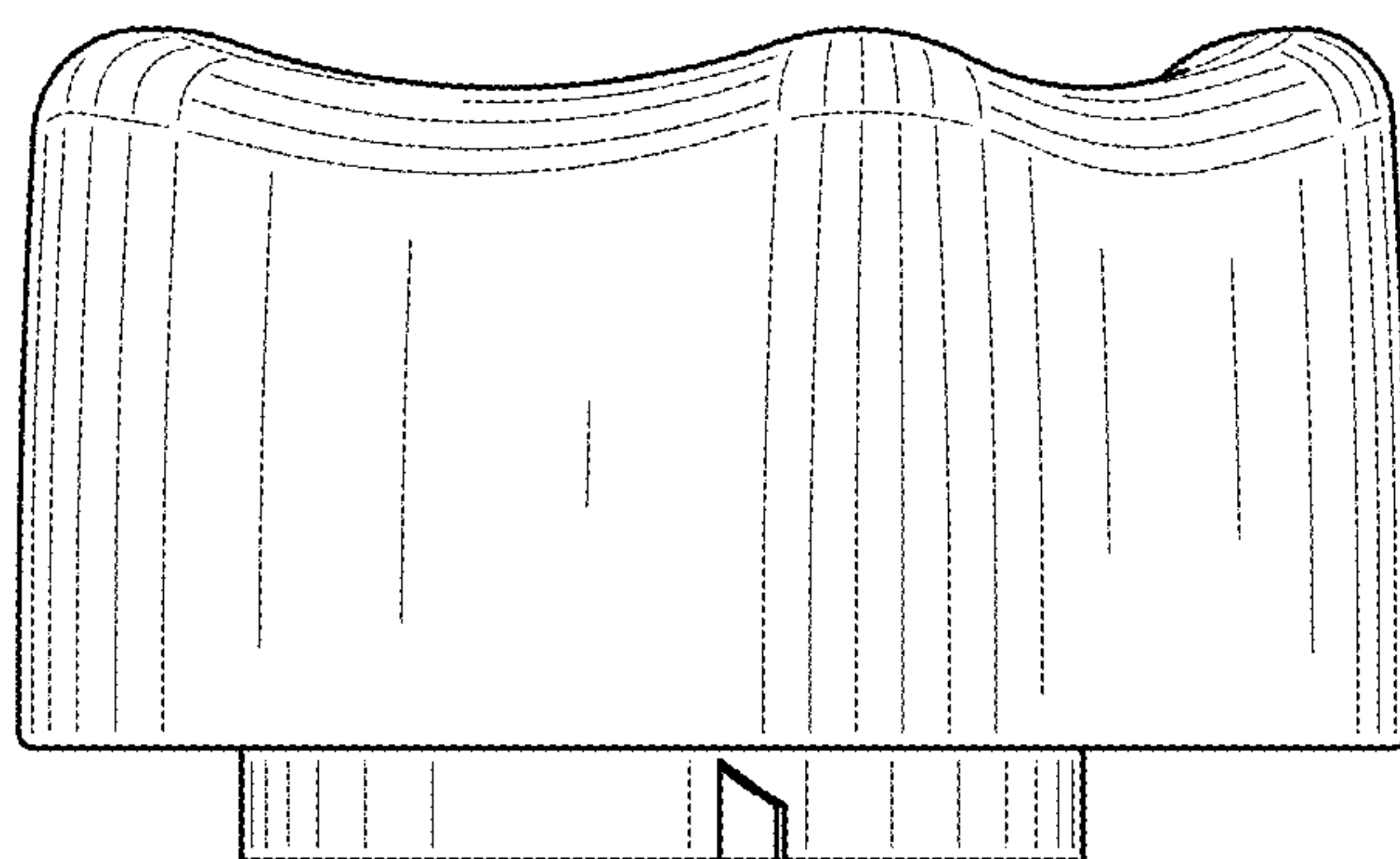


FIG. 6

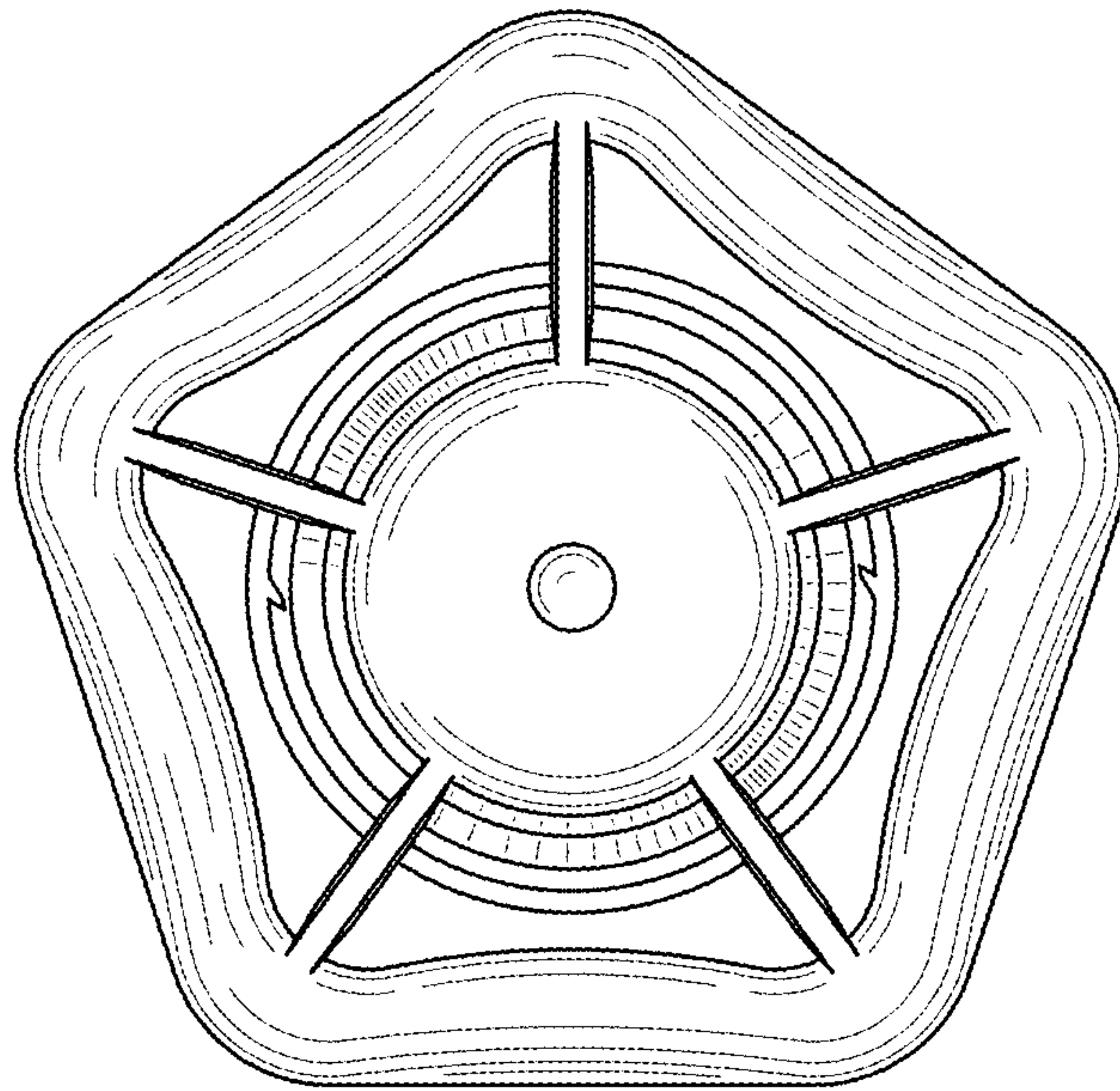


FIG. 7

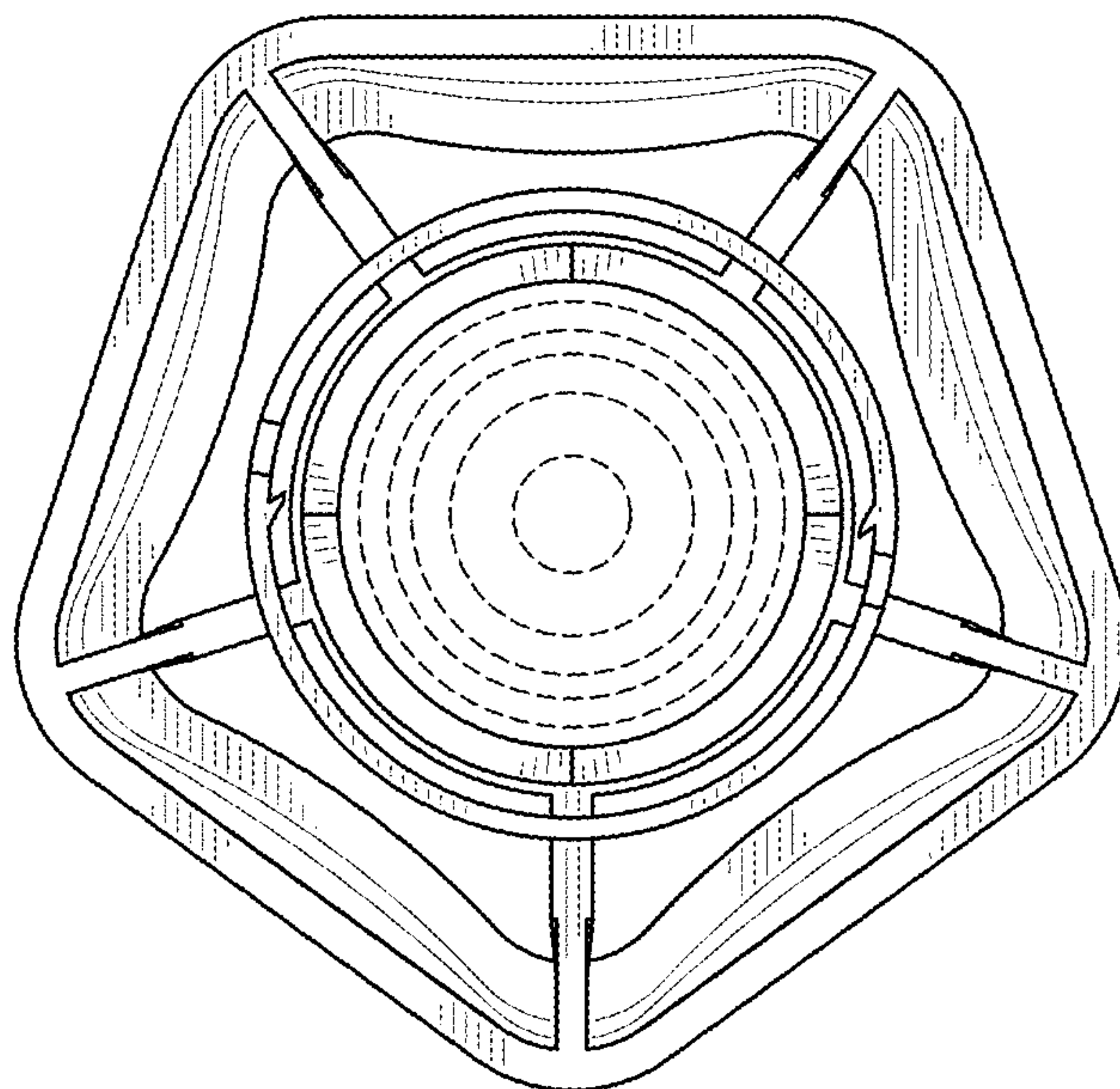


FIG. 8