



US00D770279S

(12) **United States Design Patent** (10) **Patent No.:** **US D770,279 S**  
**Strachan** (45) **Date of Patent:** **\*\* Nov. 1, 2016**

(54) **CUP LID**  
(71) Applicant: **First Quality Packaging Solutions, LLC**, Great Neck, NY (US)  
(72) Inventor: **Mark Strachan**, Jupiter, FL (US)  
(73) Assignee: **First Quality Packaging Solutions, LLC**, Great Neck, NY (US)  
(\*\*) Term: **15 Years**  
(21) Appl. No.: **29/538,289**

D403,583 S \* 1/1999 Nask ..... D9/435  
D417,845 S \* 12/1999 Sadlier ..... D7/511  
6,168,044 B1 1/2001 Zettle et al.  
6,419,112 B1 7/2002 Bruce et al.  
D468,206 S \* 1/2003 Weiss ..... D9/447  
6,959,829 B2 11/2005 Crider et al.  
7,055,715 B2 6/2006 Maravich et al.  
7,063,231 B2 6/2006 Stanos et al.  
D532,294 S 11/2006 Fager  
D543,777 S 6/2007 Seum  
7,225,945 B2 6/2007 Crider et al.  
7,484,639 B2 2/2009 Maravich et al.  
D591,151 S 4/2009 Freeman  
D592,056 S 5/2009 Tedford, Jr.

(Continued)

(22) Filed: **Sep. 2, 2015**  
(51) **LOC (10) Cl.** ..... **09-07**  
(52) **U.S. Cl.**  
USPC ..... **D9/447**  
(58) **Field of Classification Search**  
USPC ..... D9/429, 434, 435, 443-450, 452, 454,  
D9/499, 553, 554, 559, 561; D7/387, 392,  
D7/393, 396.2, 396.4, 509, 510, 511, 514;  
D3/202, 203.2, 223, 264, 294, 304, 318  
CPC ..... A61J 1/00; A61J 1/1412; B65D 1/00;  
B65D 1/02; B65D 1/10; B65D 1/46; B65D  
2585/56; B65D 2585/545; B65D 41/00;  
B65D 41/56; B65D 41/62; B65D 47/06;  
B65D 47/08; B65D 2543/00046  
See application file for complete search history.

FOREIGN PATENT DOCUMENTS

WO 2012149131 A1 11/2012  
*Primary Examiner* — Karen S Acker  
*Assistant Examiner* — Wendy Arminio  
(74) *Attorney, Agent, or Firm* — Amster, Rothstein & Ebenstein, LLP

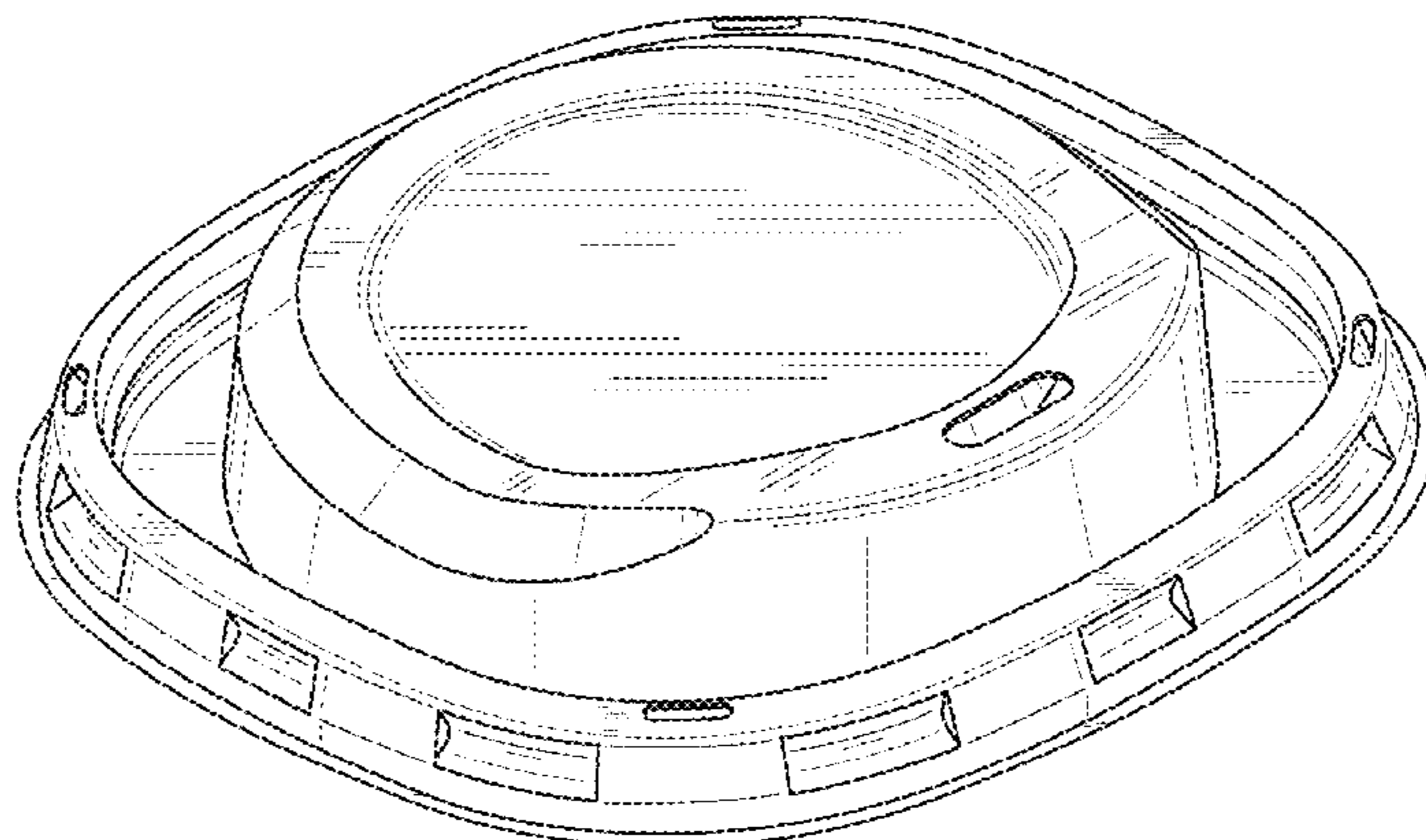
(57) **CLAIM**  
The ornamental design for a cup lid, as shown and described.

**DESCRIPTION**

FIG. 1 is a perspective view of a new design for a cup lid; FIG. 2 is a top plan view thereof; FIG. 3 is a bottom plan view thereof; FIG. 4 is a front view thereof; FIG. 5 is a back view thereof; FIG. 6 is a left side view thereof; FIG. 7 is a right side view thereof; and, FIG. 8 is a perspective view thereof illustrating the cup lid in a position of use attached to a cup drawn in broken lines. The broken lines in FIG. 8 depict environment that forms no part of the claimed design.

(56) **References Cited**  
U.S. PATENT DOCUMENTS  
3,349,950 A \* 10/1967 Wanderer ..... B65D 1/26  
220/287  
4,474,305 A \* 10/1984 Marco ..... B65D 43/021  
220/284  
D287,208 S 12/1986 Daenen  
D299,010 S \* 12/1988 Wall ..... D9/435  
5,511,680 A 4/1996 Kinne  
5,624,053 A 4/1997 Freek et al.

**1 Claim, 8 Drawing Sheets**



(56)

References Cited

U.S. PATENT DOCUMENTS

D631,348 S	1/2011	Weiss et al.		2004/0222226 A1*	11/2004	Gottainer .....	B65D 43/0212
D632,174 S	2/2011	Charbonnet					220/284
7,891,514 B1	2/2011	Walsh et al.		2005/0224503 A1*	10/2005	Dantani .....	B65D 43/0212
D634,188 S	3/2011	Sellari					220/711
7,963,419 B2	6/2011	Burney et al.		2006/0071008 A1*	4/2006	Sadlier .....	B65D 43/0218
D649,878 S *	12/2011	Weiss .....	D9/447				220/713
8,074,831 B2	12/2011	Walker et al.		2007/0119743 A1	5/2007	Tucker et al.	
8,091,732 B2	1/2012	Bryson et al.		2008/0035652 A1	2/2008	Lusareta	
D655,158 S *	3/2012	Drozek .....	D9/435	2008/0041850 A1	2/2008	Tucker et al.	
8,157,123 B2	4/2012	Tucker et al.		2010/0084401 A1*	4/2010	Golota .....	B65D 43/0249
D660,696 S	5/2012	Weiss					220/270
8,267,278 B2	9/2012	Tucker et al.		2011/0180560 A1	7/2011	Hung	
8,286,826 B2	10/2012	Connors, Jr. et al.		2012/0138608 A1	6/2012	Rusnak et al.	
D675,524 S	2/2013	Bickert		2012/0272622 A1*	11/2012	Weiss .....	B65D 43/0212
D680,866 S *	4/2013	Golota .....	D9/435				53/476
8,459,486 B2	6/2013	Luburic et al.		2013/0037558 A1*	2/2013	Selina .....	B65D 21/0219
8,479,948 B2	7/2013	Weiss et al.					220/715
D688,091 S *	8/2013	Golota .....	D7/392	2013/0175269 A1	7/2013	Chen	
8,540,112 B2	9/2013	Connors, Jr. et al.		2013/0175284 A1	7/2013	Chen	
D696,941 S	1/2014	Kim		2013/0186898 A1	7/2013	Luburic et al.	
D696,942 S	1/2014	Kim		2013/0233898 A1*	9/2013	Resnikoff .....	B65D 47/06
D700,799 S	3/2014	Ludeman					222/568
D703,044 S *	4/2014	Chou .....	D9/435	2013/0306666 A1	11/2013	Weiss	
D737,139 S *	8/2015	Sokoly .....	D9/435	2014/0001193 A1	1/2014	Connors, Jr. et al.	
D751,336 S	3/2016	Cetti		2015/0076151 A1*	3/2015	Knipe .....	B65D 43/0212
D754,535 S	4/2016	Kim					220/254.3
2003/0024930 A1	2/2003	Smith		2015/0175325 A1	6/2015	Martin	
				2015/0191282 A1	7/2015	Crudgington	
				2015/0251818 A1*	9/2015	Strachan .....	B65D 43/0208
							220/254.8
				2016/0007780 A1	1/2016	Dolan	

\* cited by examiner

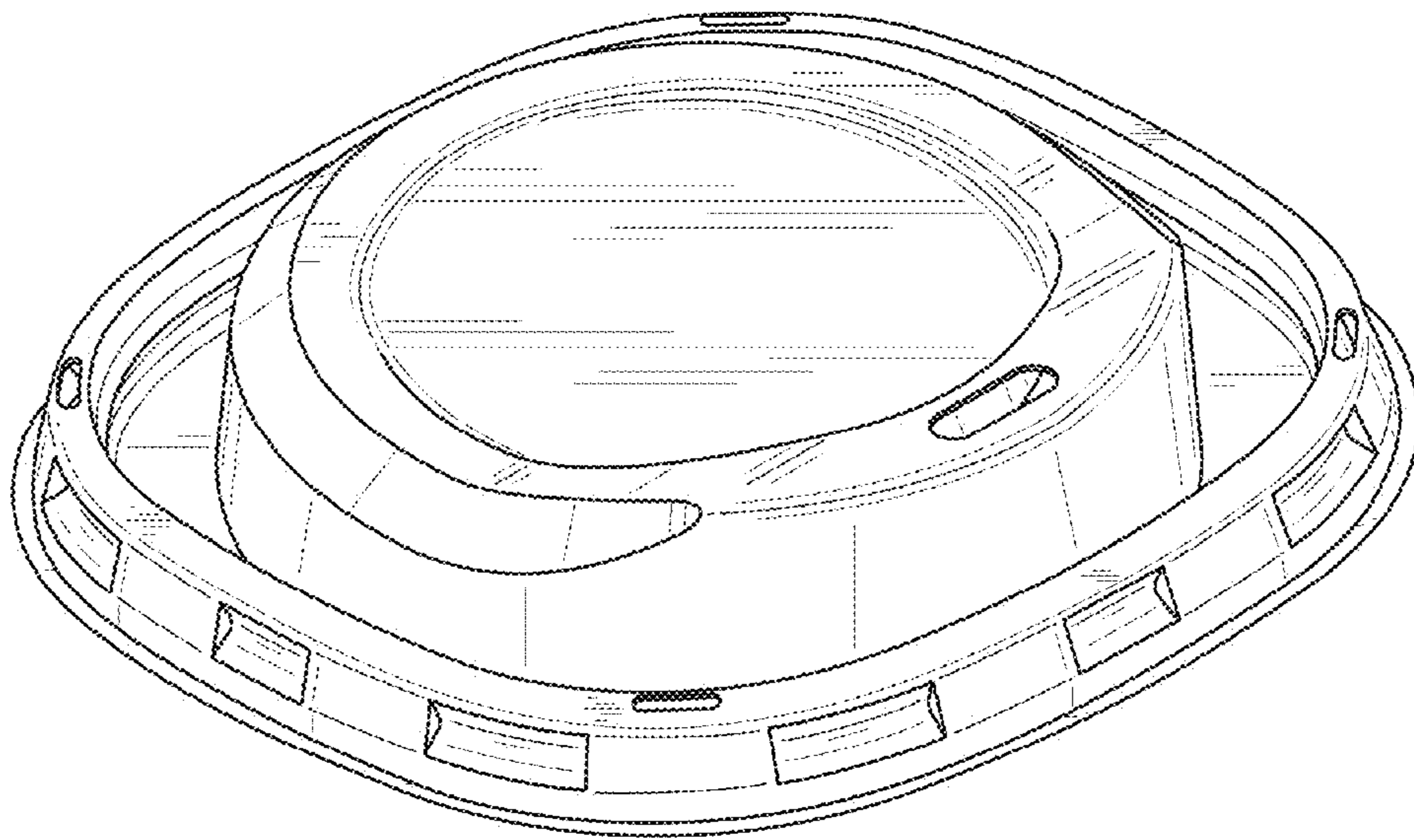


FIG. 1

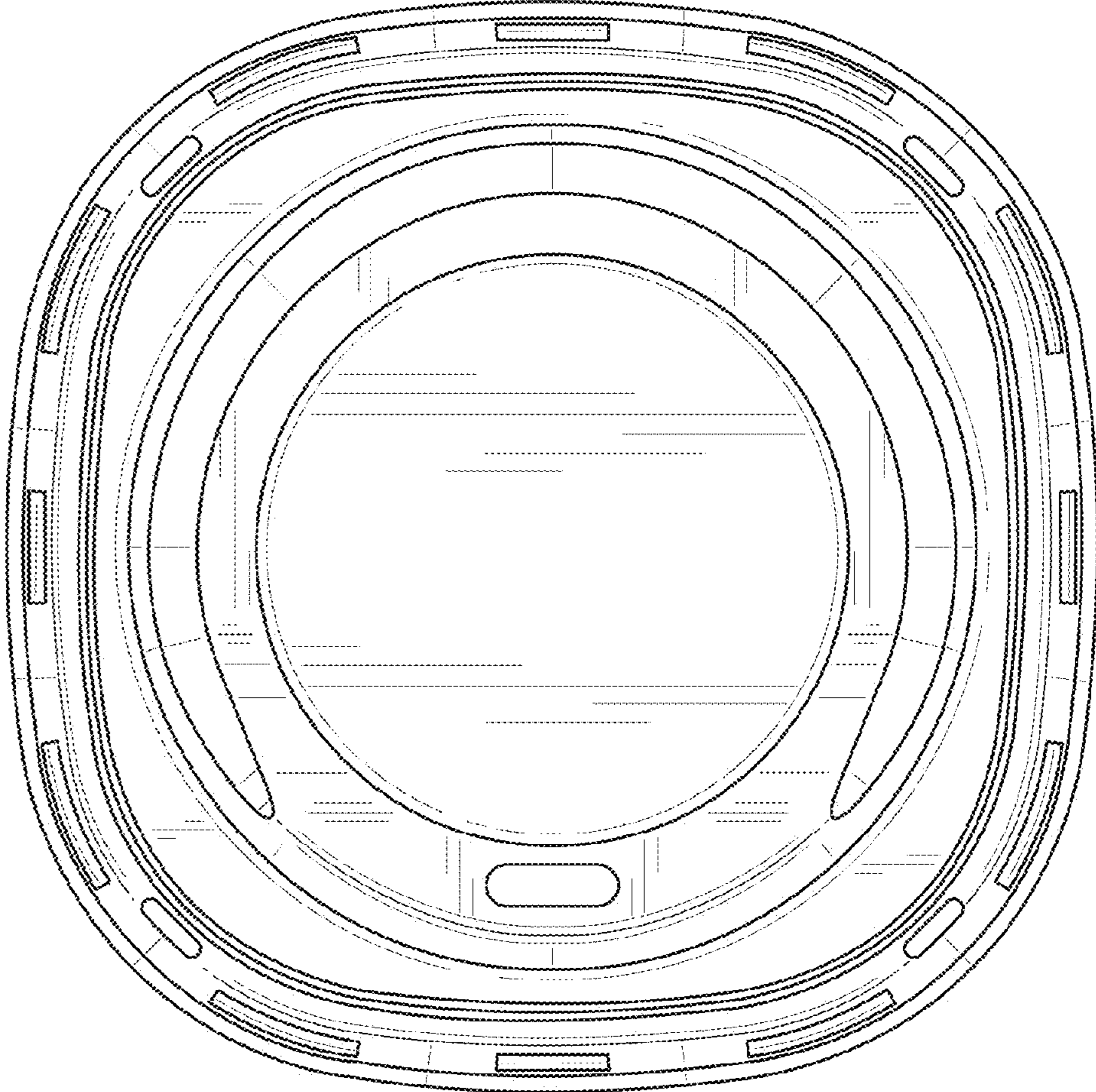


FIG. 2

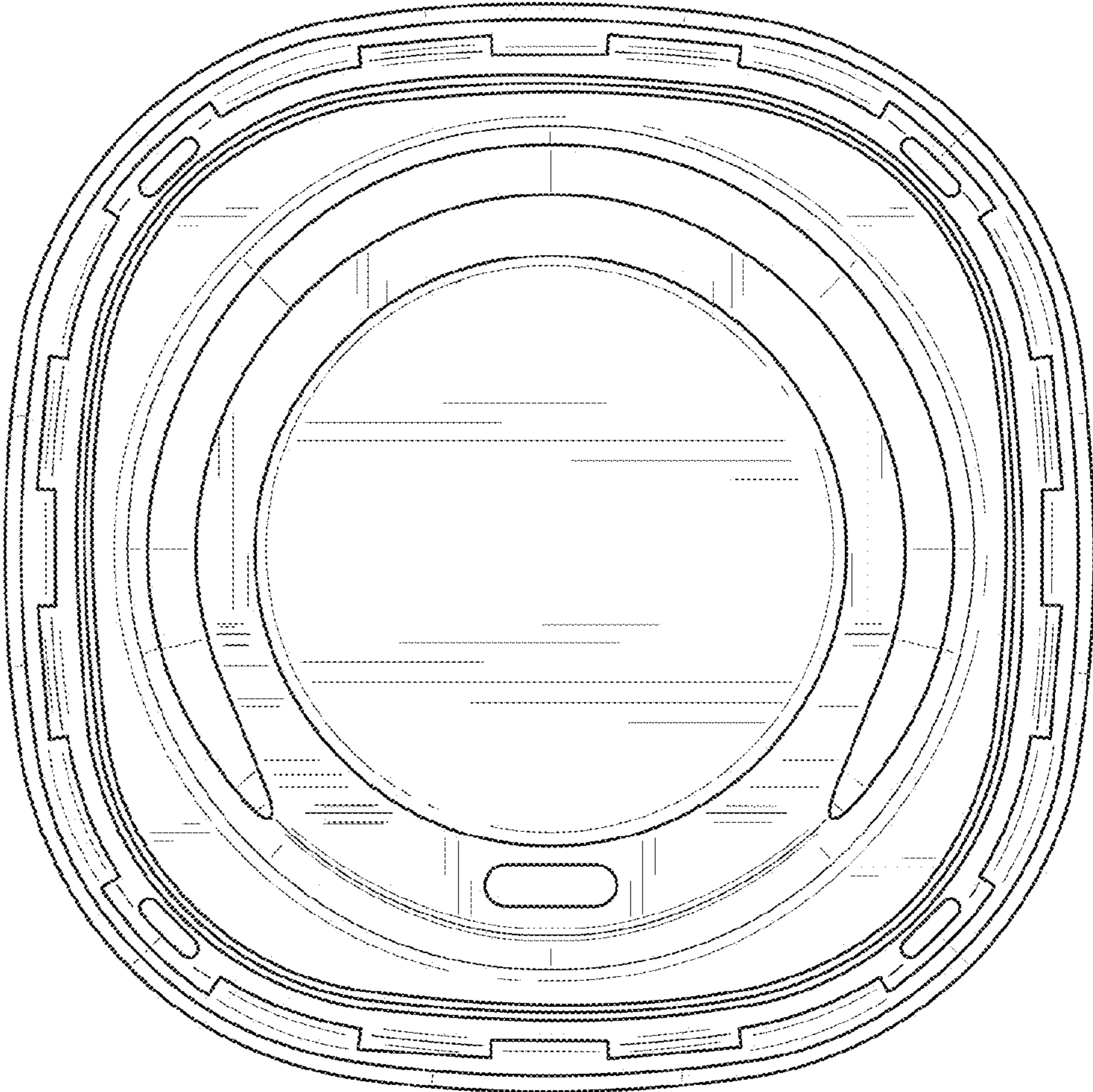


FIG. 3

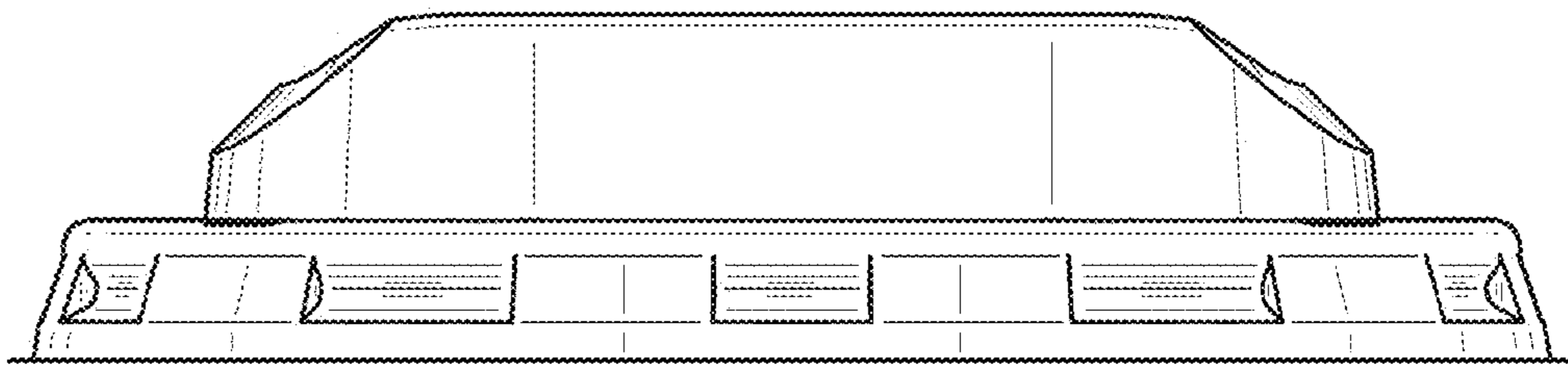


FIG. 4

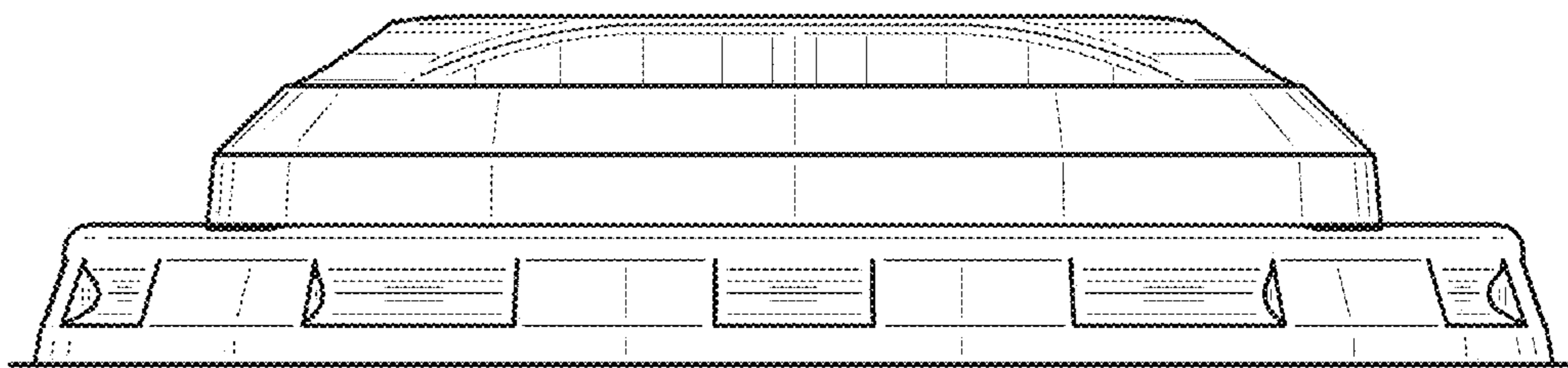


FIG. 5

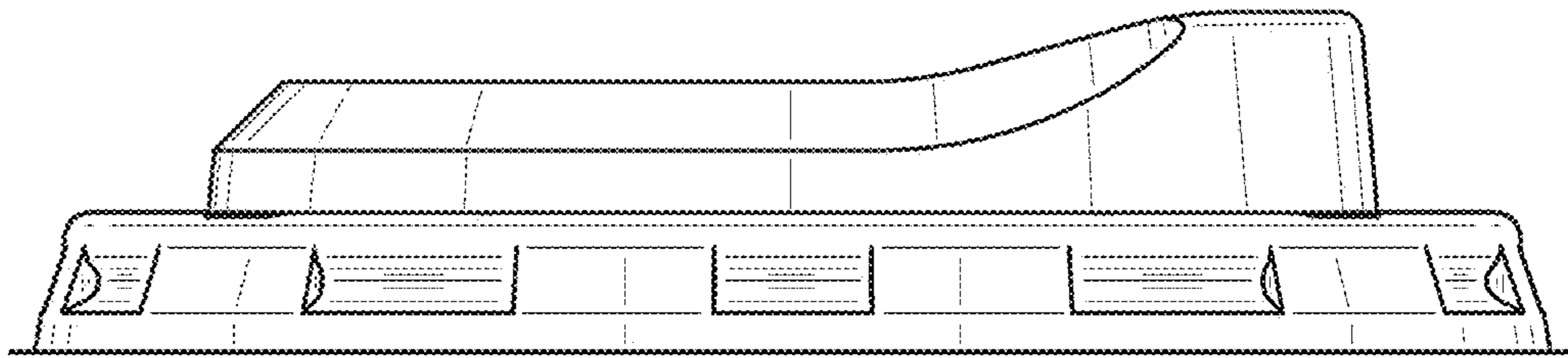


FIG. 6



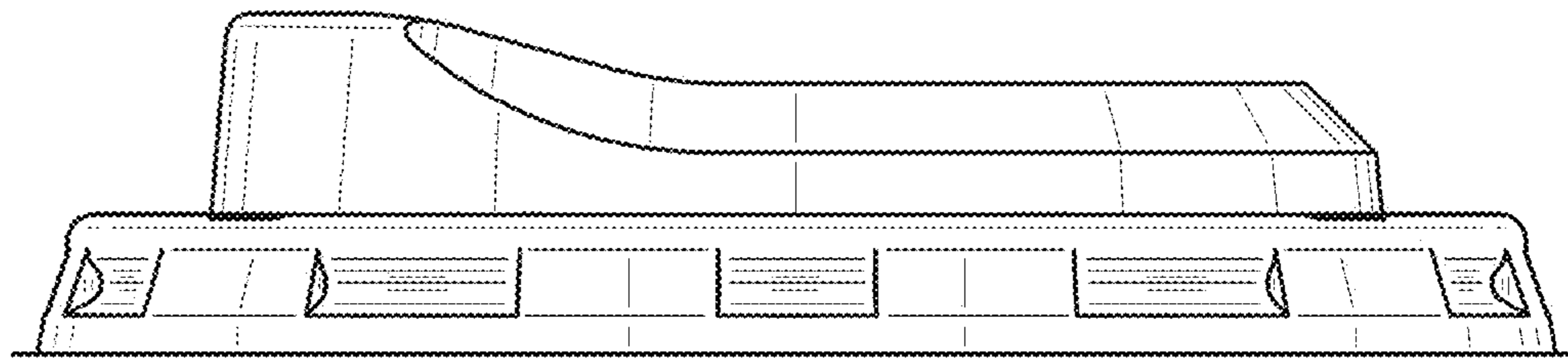


FIG. 7

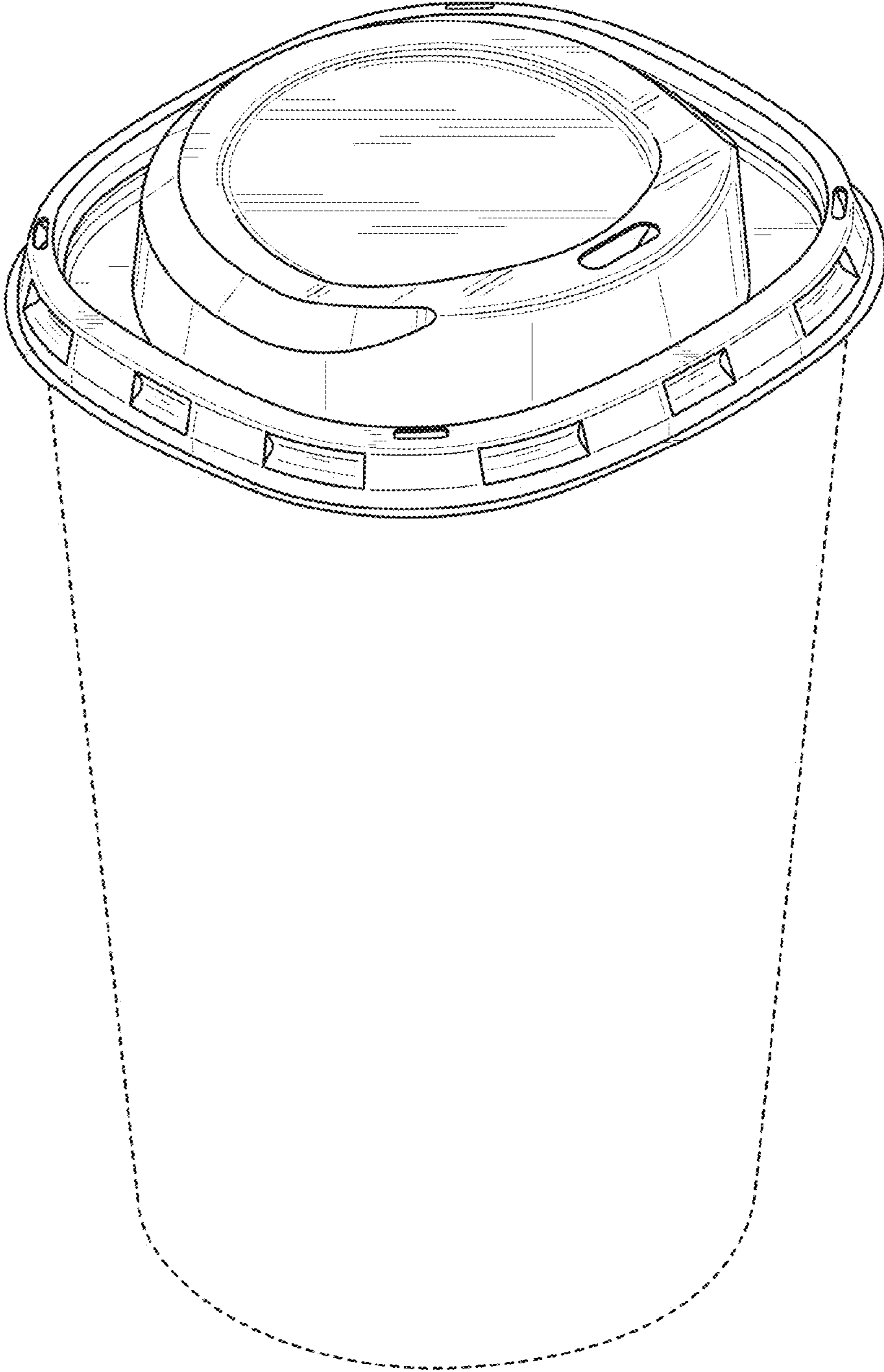


FIG. 8