



US00D770276S

(12) **United States Design Patent**  
**Björnsing**

(10) **Patent No.:** **US D770,276 S**

(45) **Date of Patent:** **\*\* Nov. 1, 2016**

(54) **MATERIAL FOR PACKAGING**

(71) Applicant: **Inger Björnsing**, Landskrona (SE)

(72) Inventor: **Inger Björnsing**, Landskrona (SE)

(\*\*) Term: **14 Years**

(21) Appl. No.: **29/509,481**

(22) Filed: **Nov. 18, 2014**

(30) **Foreign Application Priority Data**

May 21, 2014 (EM) ..... 002468009

(51) **LOC (10) Cl.** ..... **09-03**

(52) **U.S. Cl.**  
USPC ..... **D9/433**

(58) **Field of Classification Search**  
USPC ..... D9/414-418, 420-423, 430-434,  
D9/702-705, 709-713; D3/302, 303;  
D7/601, 602  
CPC ..... B65D 5/00-5/02; B65D 5/0209-5/0272;  
B65D 5/2047; B65D 5/40; B65D 5/5455;  
B65D 5/727; B65D 31/10-31/18; B65D  
35/04; B65D 35/56  
See application file for complete search history.

(56) **References Cited**

**U.S. PATENT DOCUMENTS**

3,917,155 A \* 11/1975 Bemiss ..... B65D 5/2047  
229/160  
4,919,785 A \* 4/1990 Willey ..... B65D 5/5455  
229/188

4,930,639 A \* 6/1990 Rigby ..... B65D 5/5455  
229/120  
4,951,868 A \* 8/1990 Mode ..... B65D 5/2047  
229/112  
D328,863 S \* 8/1992 Van Druff, Jr. .... D9/433  
5,839,652 A \* 11/1998 Ben-Haim ..... B65D 5/2047  
229/114  
D493,717 S \* 8/2004 Coppola ..... D9/433  
D587,998 S \* 3/2009 Kaisanlahti ..... D9/433  
D710,691 S \* 8/2014 Genender ..... D9/433

\* cited by examiner

*Primary Examiner* — Vy Koenig

(74) *Attorney, Agent, or Firm* — Wolf, Greenfield & Sacks, P.C.

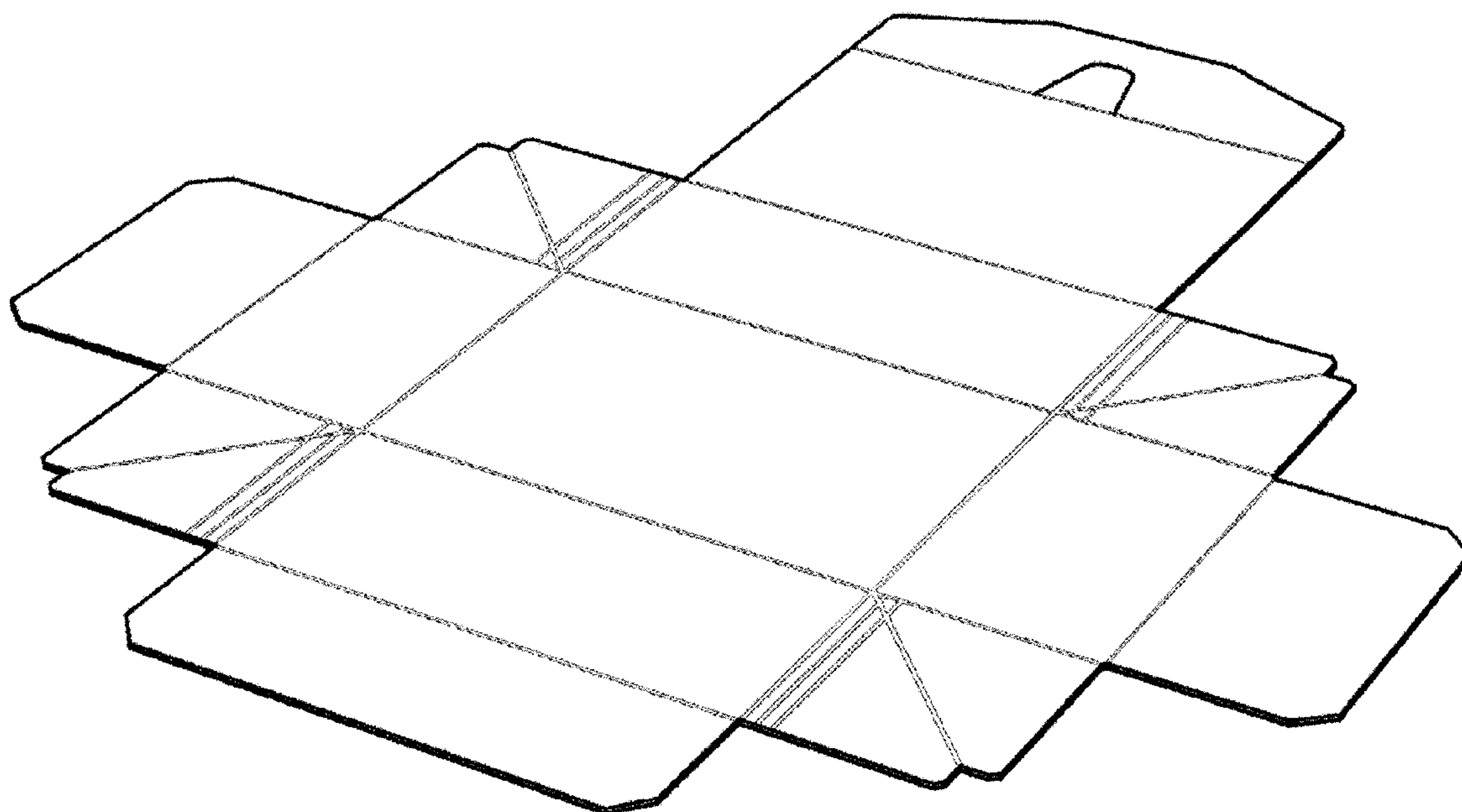
(57) **CLAIM**

The ornament design for a material for packaging, as shown and described.

**DESCRIPTION**

FIG. 1 is a front perspective view of the material for packaging;  
FIG. 2 is a rear perspective view thereof;  
FIG. 3 is a front elevational view thereof;  
FIG. 4 is a right elevational view of the material for packaging shown in FIG. 1, the left side being a mirror image thereof;  
FIG. 5 is a top plan view thereof;  
FIG. 6 is a bottom plan view thereof; and,  
FIG. 7 is a rear elevational view of the material for packaging shown in FIG. 1.  
The color or surface finish of the material for packaging form no part of the claimed design.

**1 Claim, 7 Drawing Sheets**



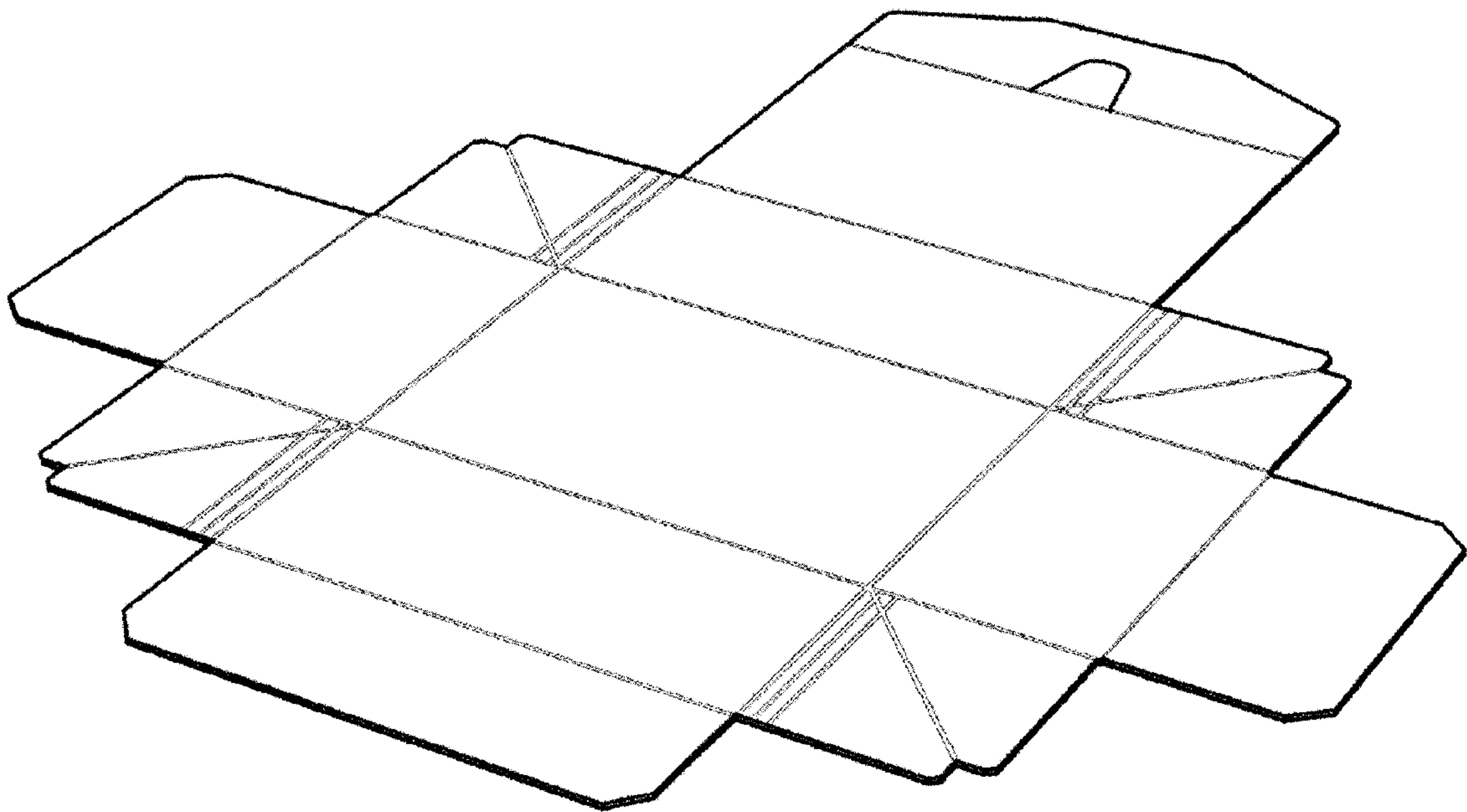


FIG. 1

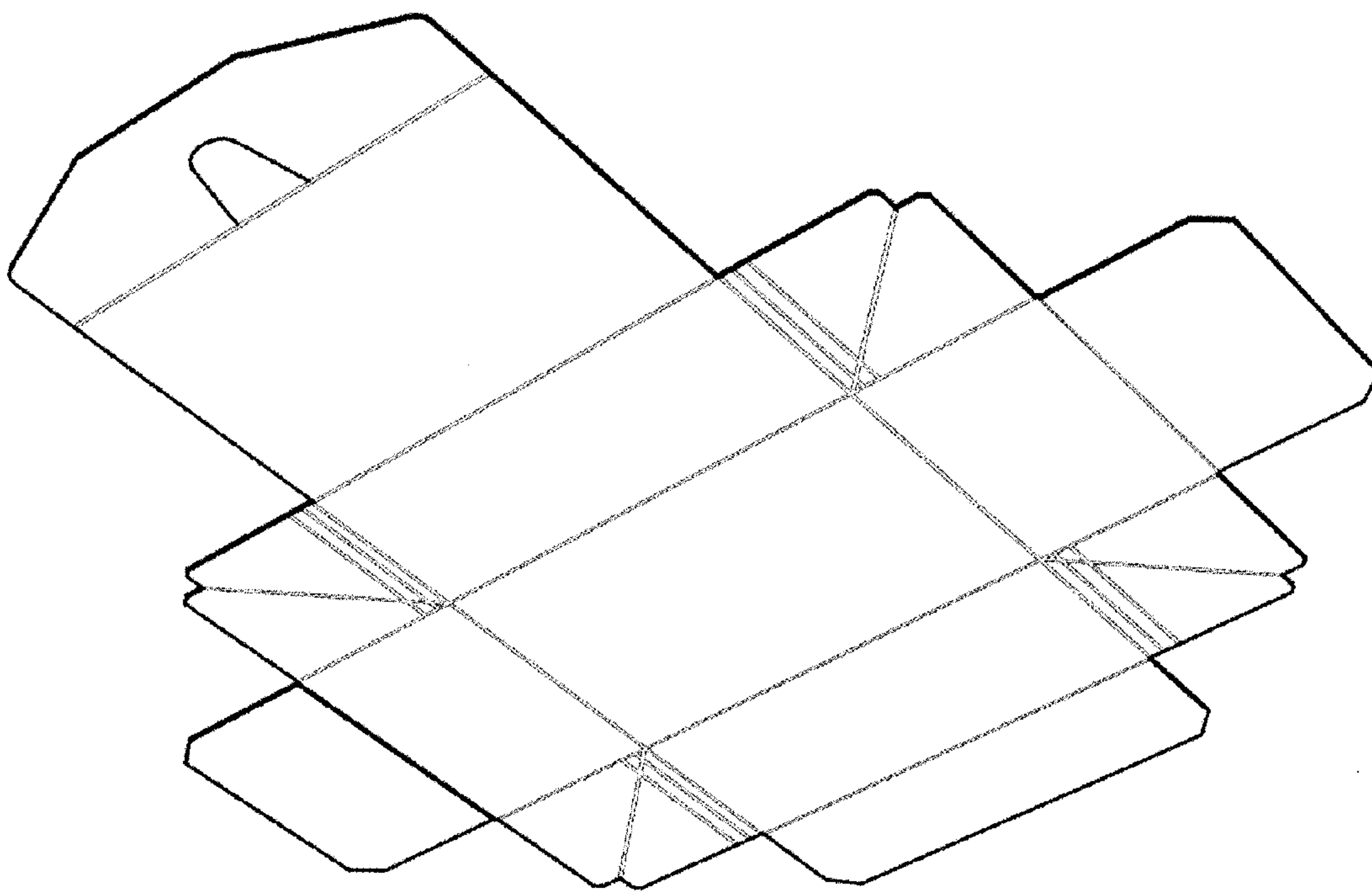


FIG. 2

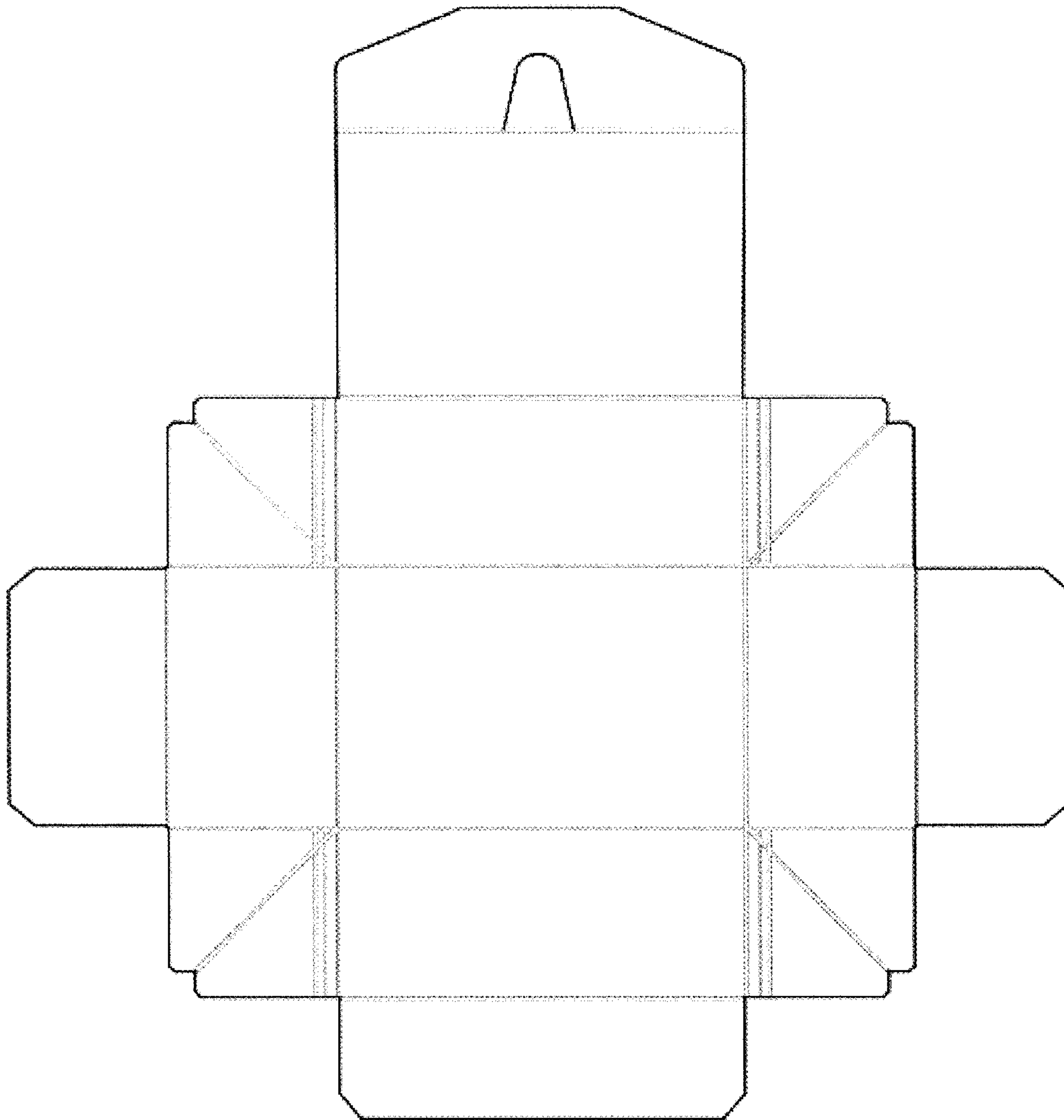


FIG. 3



FIG. 4



FIG. 5



**FIG. 6**



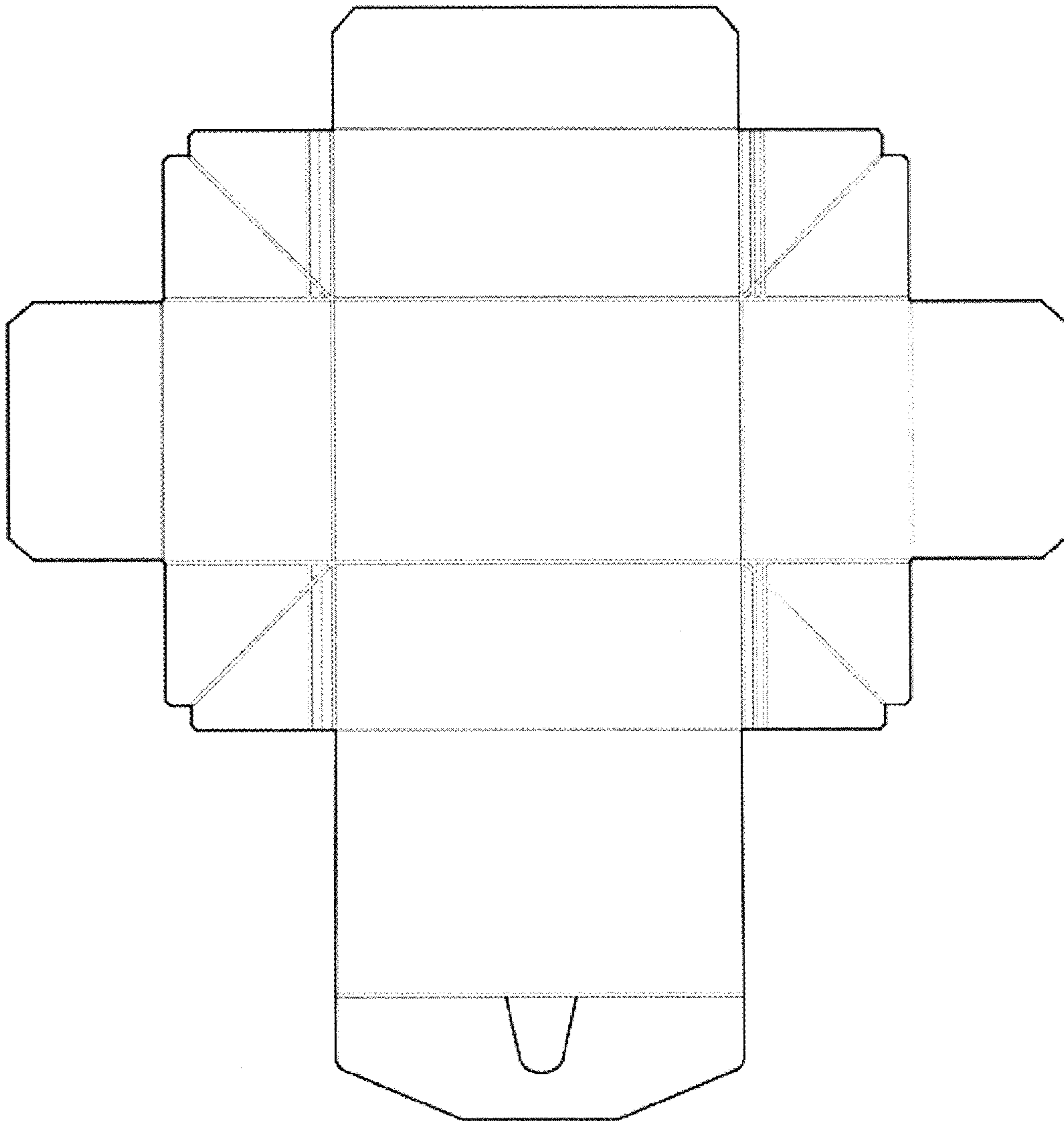


FIG. 7