



US00D770274S

(12) **United States Design Patent** (10) **Patent No.:** **US D770,274 S**  
**Sater** (45) **Date of Patent:** **\*\* Nov. 1, 2016**

- (54) **ICE CREAM CONTAINER**
- (71) Applicant: **Dripp, Inc.**, Chino, CA (US)
- (72) Inventor: **Rabih Sater**, Chino, CA (US)
- (73) Assignee: **DRIPP, INC.**, Chino, CA (US)
- (\*\*) Term: **15 Years**
- (21) Appl. No.: **29/540,169**
- (22) Filed: **Sep. 22, 2015**
- (51) **LOC (10) Cl.** ..... **09-03**
- (52) **U.S. Cl.**  
USPC ..... **D9/431**
- (58) **Field of Classification Search**  
USPC ..... D9/430, 414, 432, 524, 516, 433, 431;  
D7/543, 545, 602; 229/112  
CPC ..... B65D 1/00; B65D 5/4291; B65D 5/38;  
A47F 5/11  
See application file for complete search history.

- D682,091 S \* 5/2013 Stephens ..... D7/631
- D700,840 S \* 3/2014 Vernon ..... D9/431
- D717,162 S \* 11/2014 Baker ..... D9/431

\* cited by examiner

*Primary Examiner* — Cynthia Underwood  
(74) *Attorney, Agent, or Firm* — Loza & Loza, LLP;  
Heidi L. Eisenhut

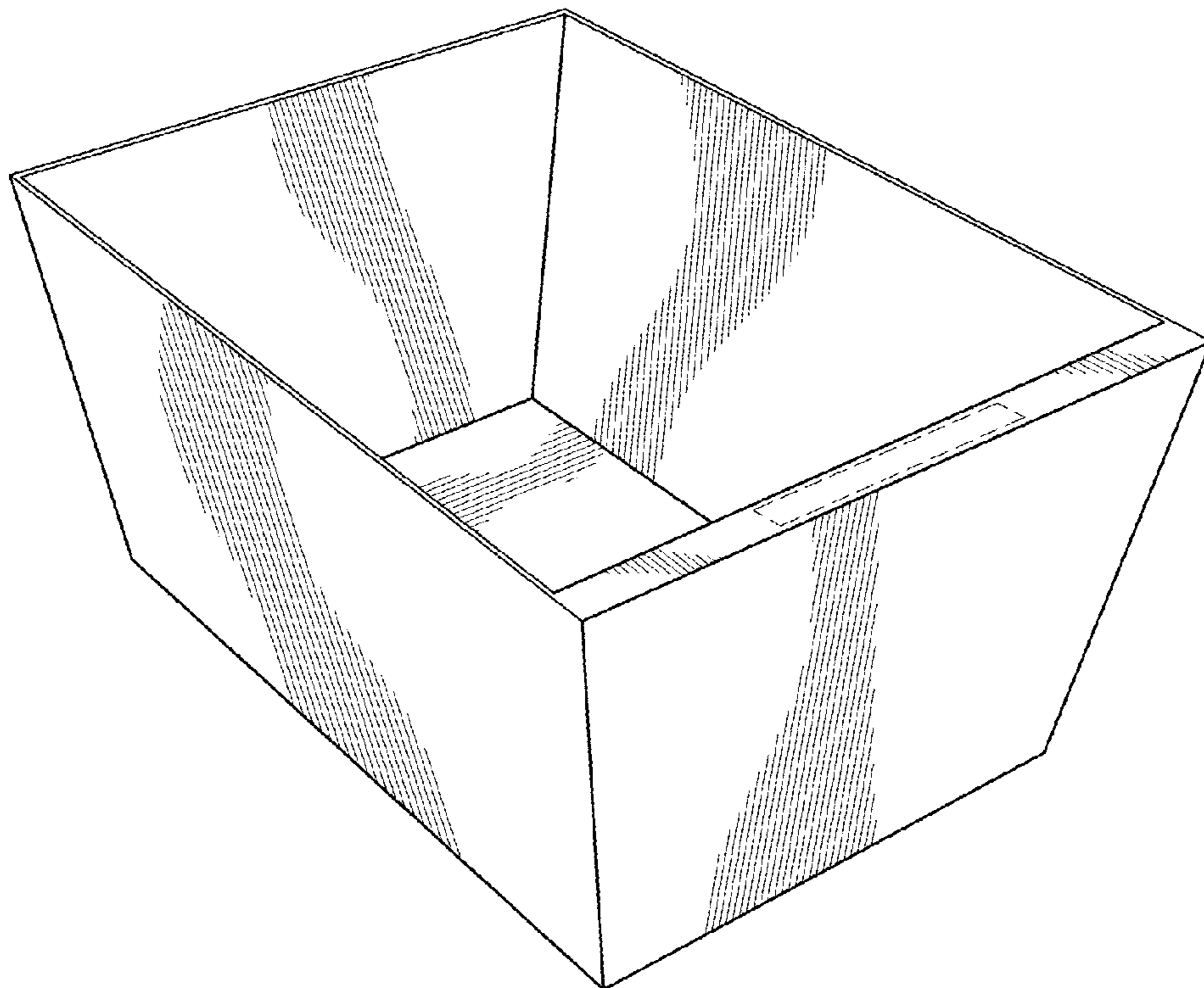
(57) **CLAIM**  
The ornamental design for an ice cream container, as shown and described.

**DESCRIPTION**

FIG. 1 is a top, right perspective view of an ice cream container of the present invention;  
FIG. 2 is a top, left perspective view of the ice cream container of FIG. 1;  
FIG. 3 is a first side elevation view of the ice cream container of FIG. 1;  
FIG. 4 is a second side elevation view of the ice cream container of FIG. 1;  
FIG. 5 is a first end elevation view of the ice cream container of FIG. 1;  
FIG. 6 is a first end elevation view of the ice cream container of FIG. 1;  
FIG. 7 is a top plan view of the ice cream container of FIG. 1; and,  
FIG. 8 is a front plan view of the ice cream container of FIG. 1.  
The broken lines represent portions of the structure that form no part of the claim.

- (56) **References Cited**  
U.S. PATENT DOCUMENTS  
D92,592 S \* 6/1934 Devendorf ..... 229/112  
D264,791 S \* 6/1982 Conti ..... D3/314  
D283,399 S \* 4/1986 Forbes, Jr. .... D9/416  
D361,075 S \* 8/1995 Jones ..... 248/678  
D418,056 S \* 12/1999 Johnson ..... D9/431  
D496,162 S \* 9/2004 Garrett ..... D3/304  
D667,633 S \* 9/2012 Searcy ..... D3/313

**1 Claim, 3 Drawing Sheets**



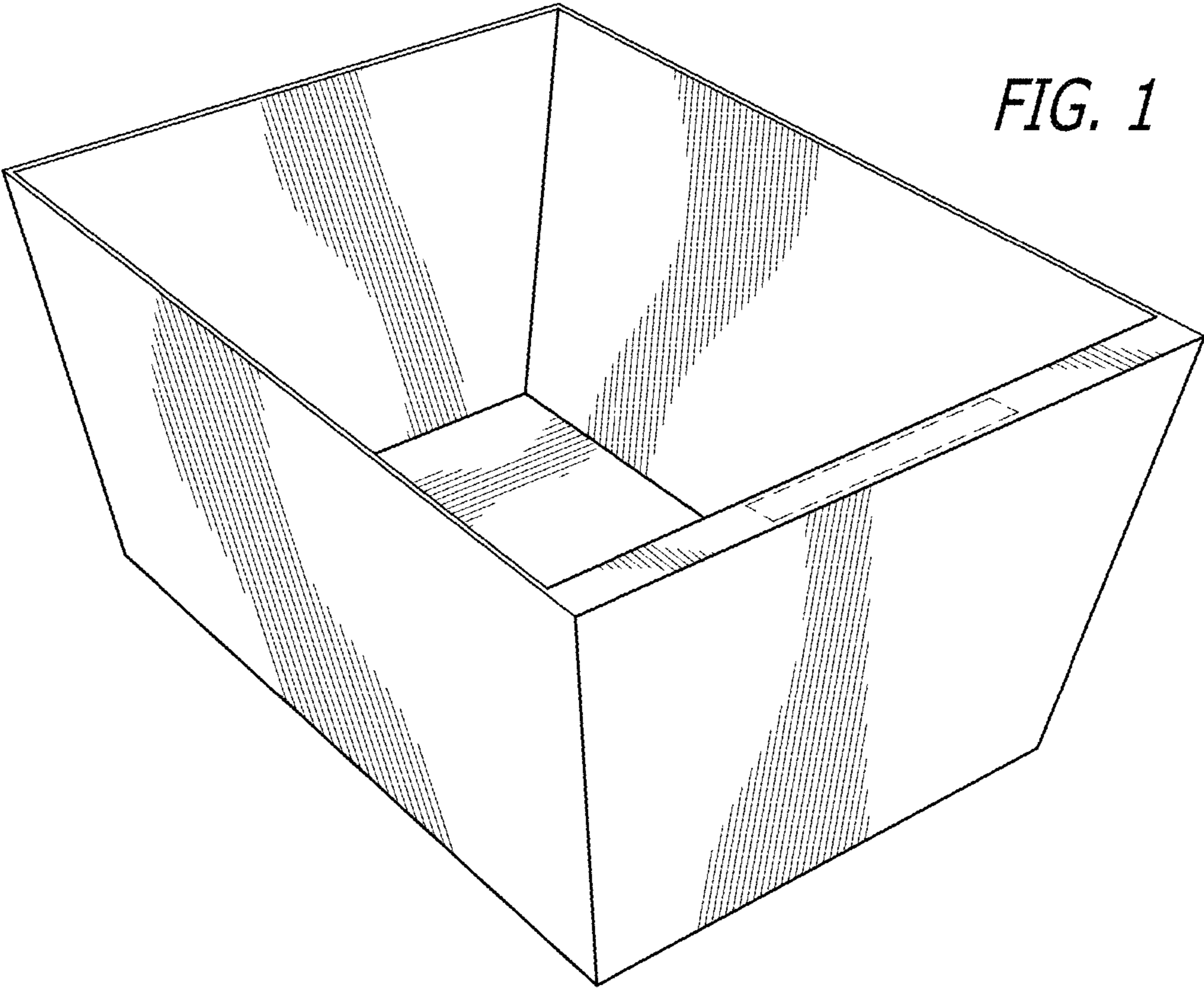


FIG. 1

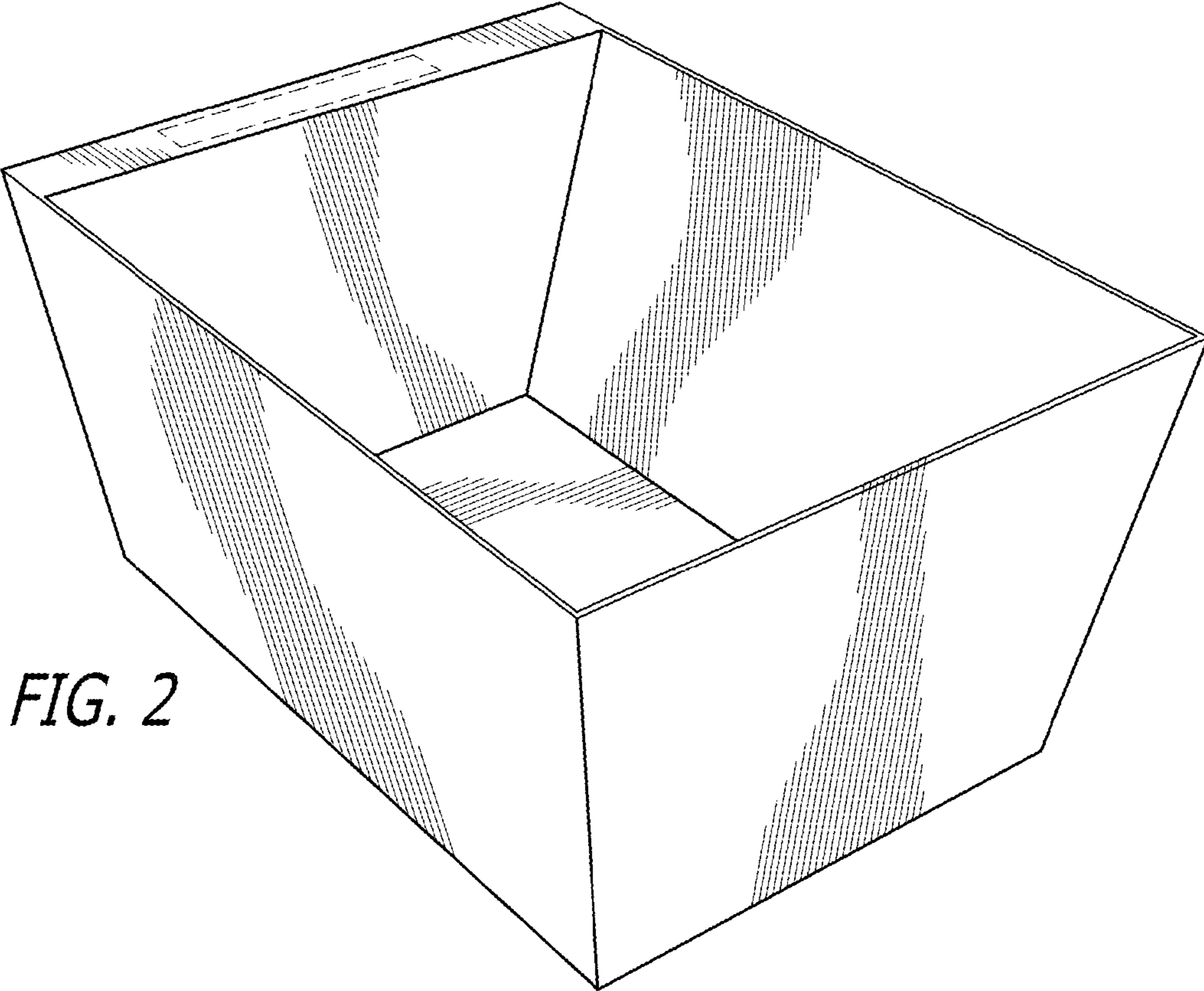
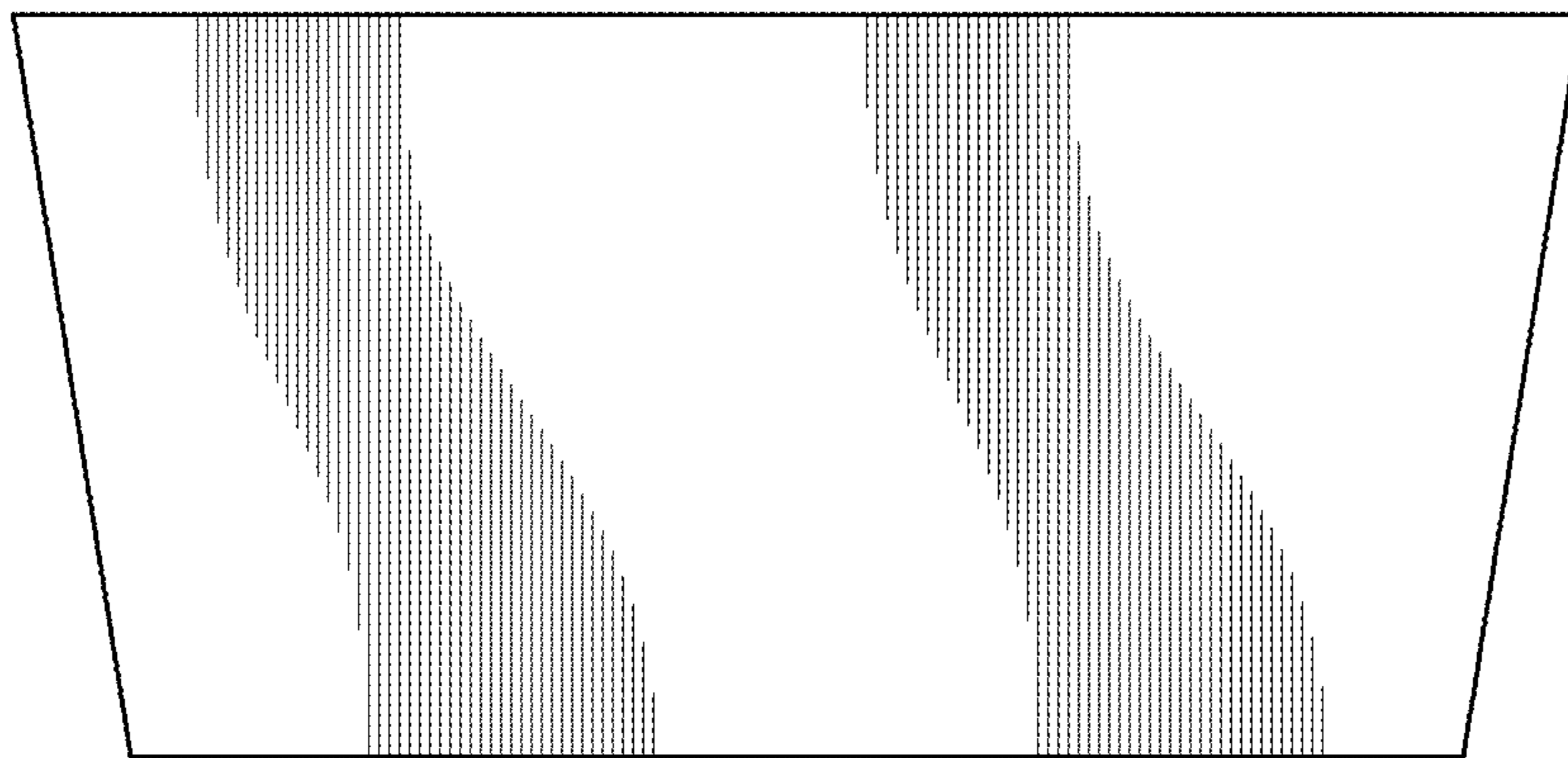
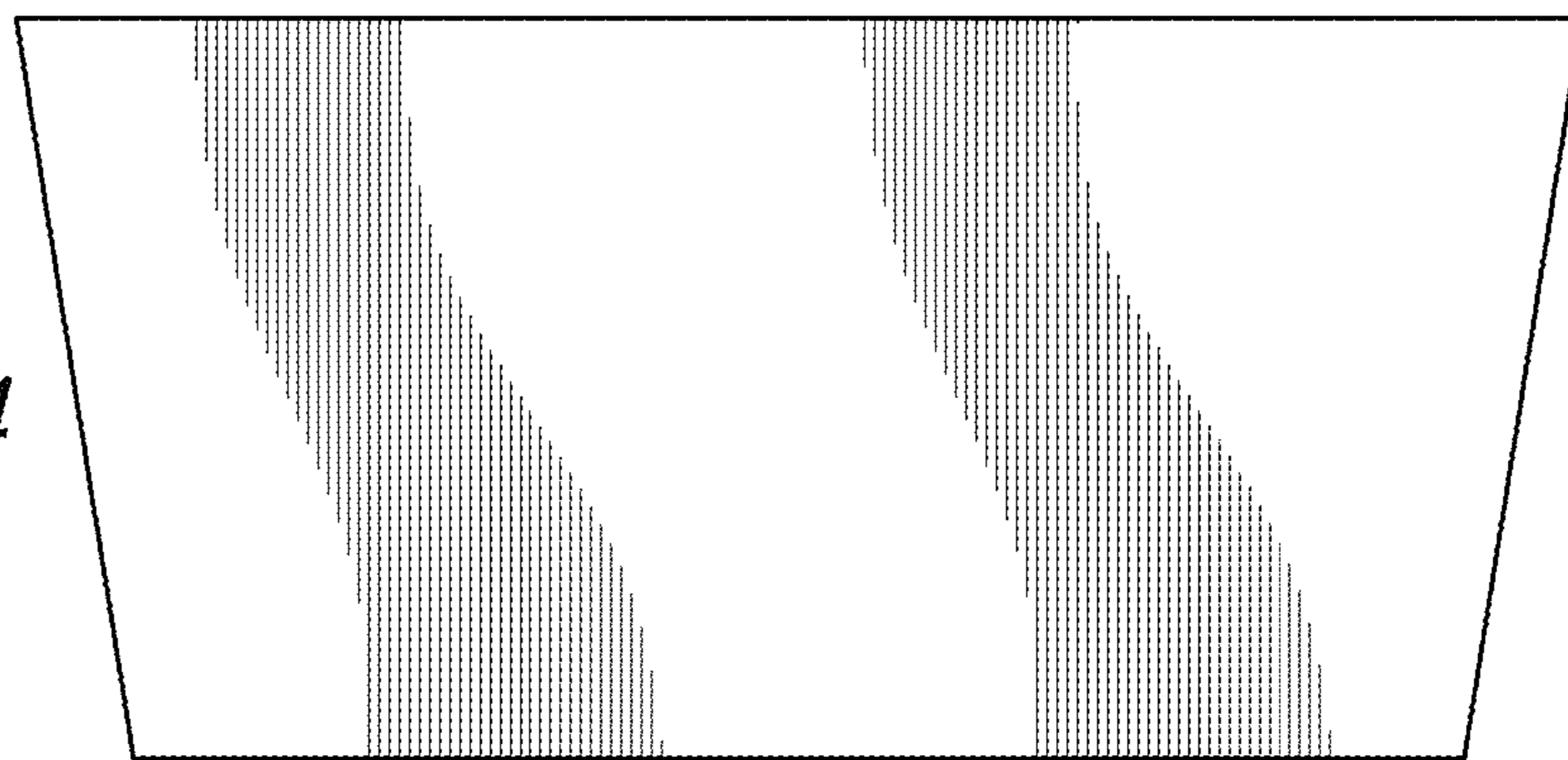


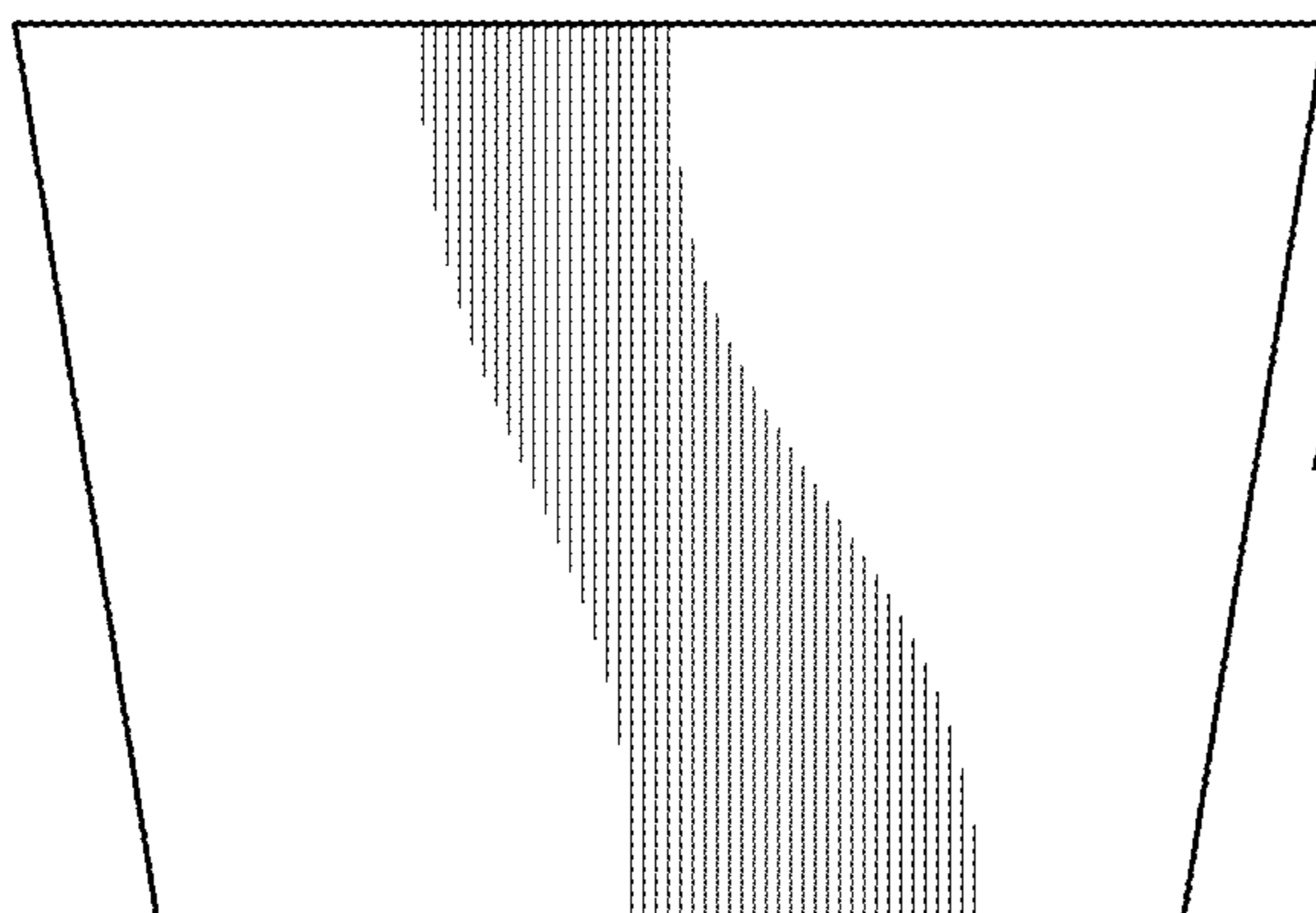
FIG. 2



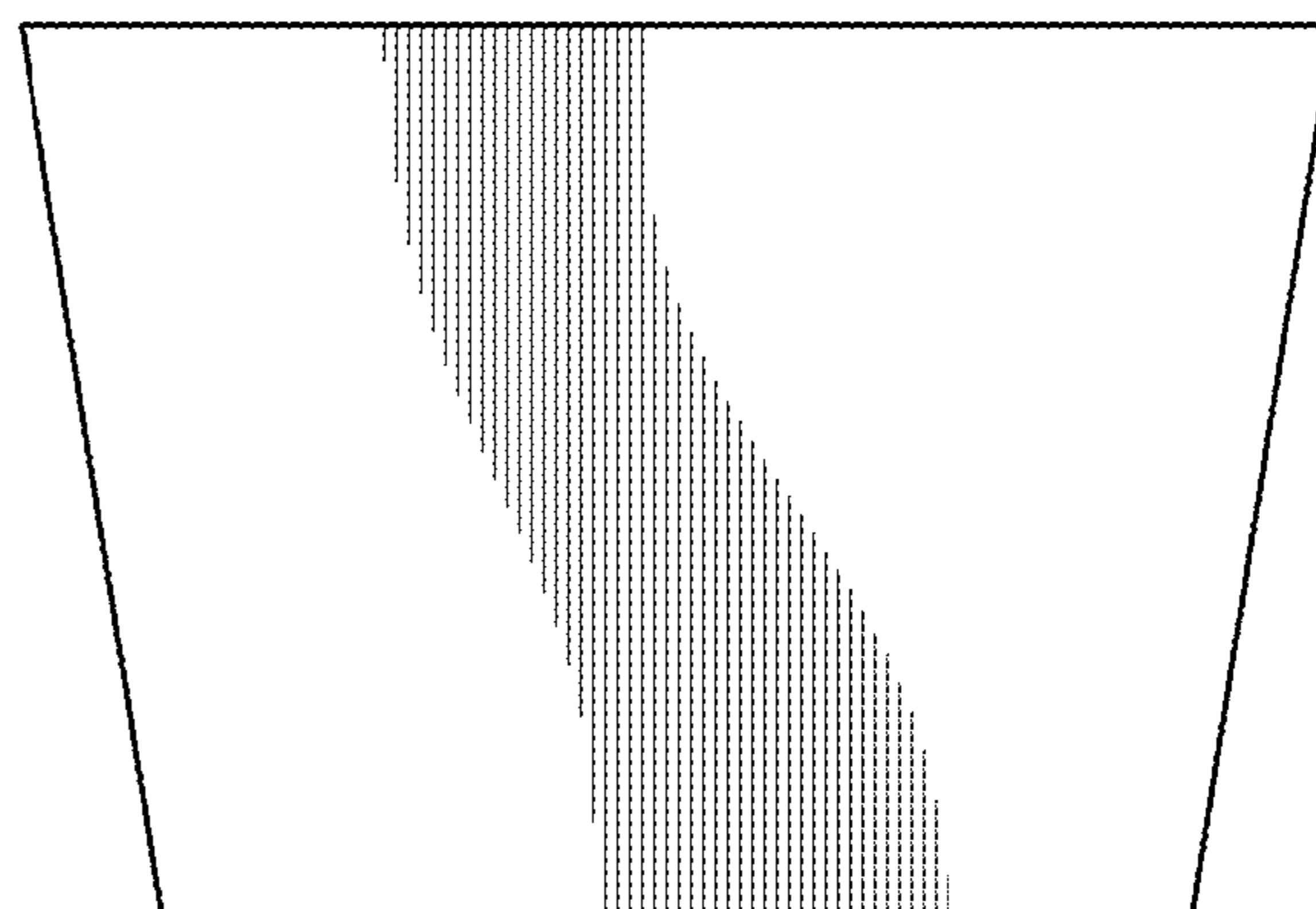
*FIG. 3*



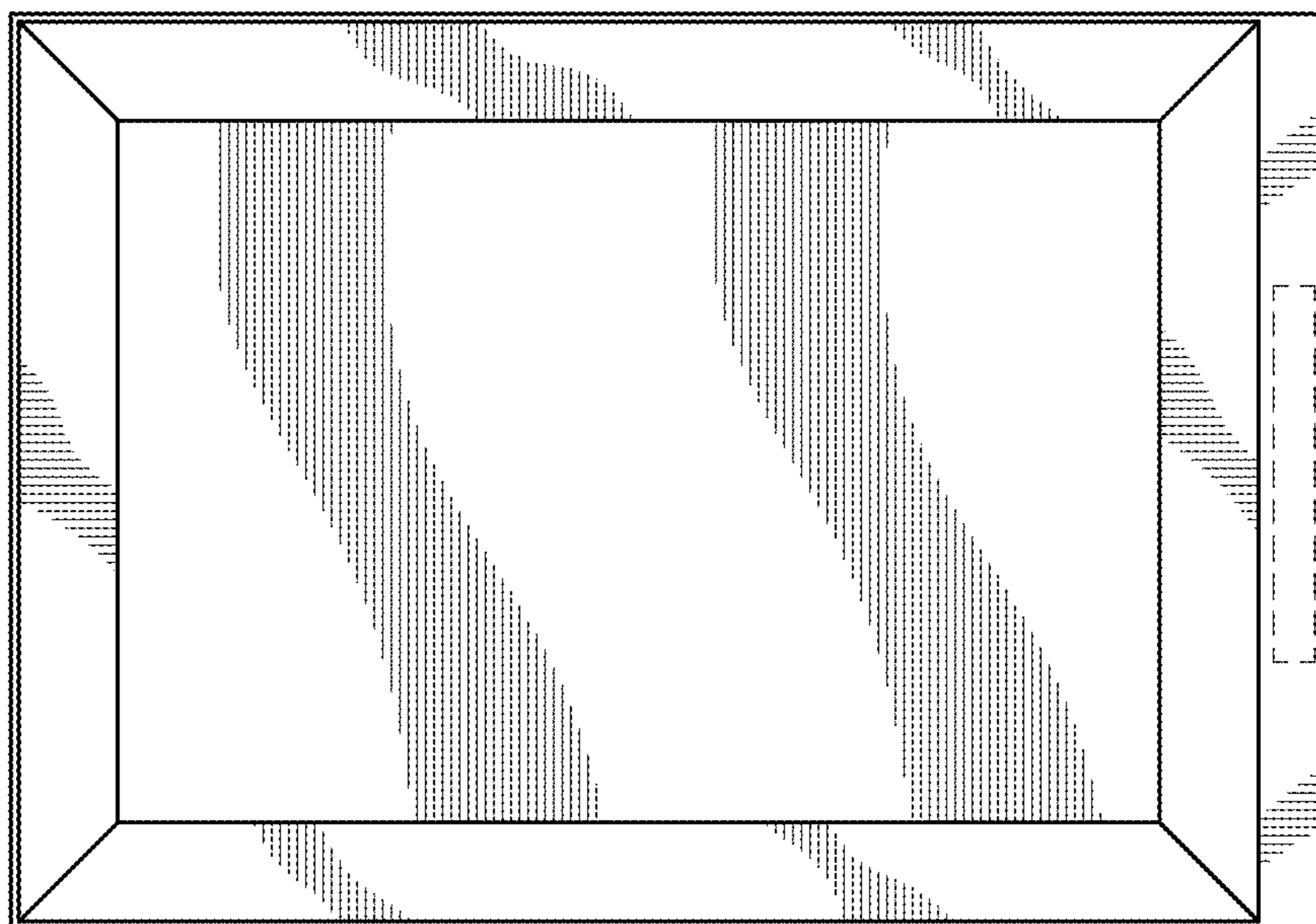
*FIG. 4*



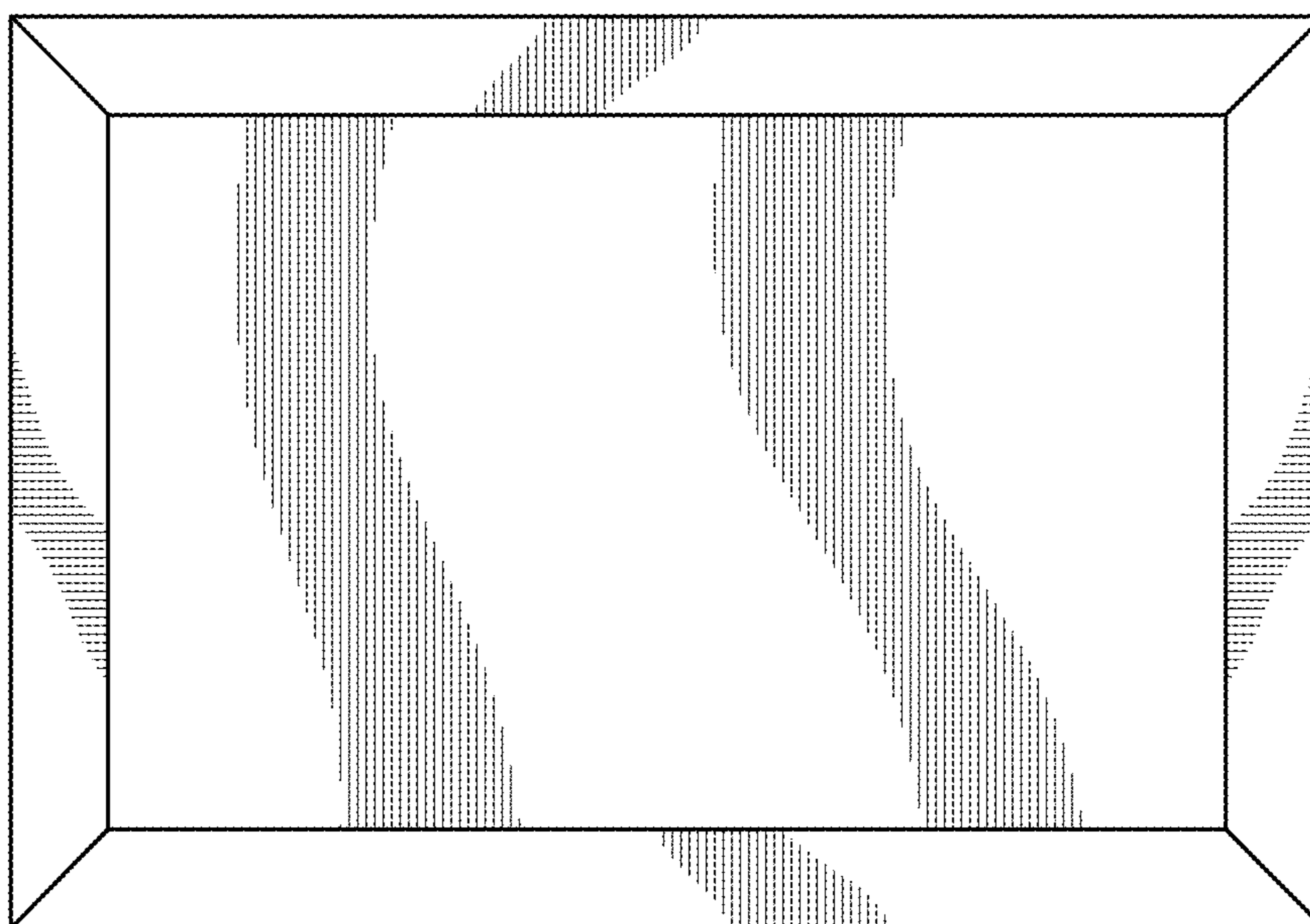
*FIG. 5*



*FIG. 6*



*FIG. 7*



*FIG. 8*