



US00D770271S

(12) **United States Design Patent** (10) **Patent No.:** **US D770,271 S**  
**McBride** (45) **Date of Patent:** **\*\* Nov. 1, 2016**

(54) **CONTAINER** 8,286,823 B2 \* 10/2012 Turvey ..... B65D 1/22  
220/660  
(71) Applicant: **D&W Fine Pack**, Elk Grove Village, IL (US) D675,517 S \* 2/2013 Garza ..... D9/424  
D682,116 S \* 5/2013 Sina ..... D9/425  
D682,673 S \* 5/2013 Miller ..... D9/424  
D697,795 S \* 1/2014 Garza ..... D9/424  
(72) Inventor: **Christopher McBride**, Roselle, IL (US) 2003/0152670 A1 \* 8/2003 Shih ..... B65D 43/162  
426/106  
(73) Assignee: **D&W Fine Pack**, Elk Grove Village, IL (US) 2004/0144781 A1 \* 7/2004 Dees ..... B65D 11/188  
220/4.24  
2005/0103782 A1 \* 5/2005 O'Brien ..... E03B 7/095  
220/4.24  
(\*\*) Term: **14 Years** 2009/0057305 A1 \* 3/2009 Moreau ..... B60R 5/04  
220/4.27  
(21) Appl. No.: **29/467,659** 2011/0000929 A1 \* 1/2011 Brown ..... B65D 43/162  
220/810

(22) Filed: **Sep. 20, 2013**  
(51) **LOC (10) Cl.** ..... **09-03**  
(52) **U.S. Cl.**  
USPC ..... **D9/424**  
(58) **Field of Classification Search**  
USPC ..... D9/414, 424, 428, 429, 430, 432, 516;  
D7/553.1, 553.2, 553.3, 601, 602, 629,  
D7/630; D3/201, 273, 274, 294, 302, 340;  
220/4.21, 4.22, 4.24, 669, 670, 674,  
220/675  
CPC ..... B65D 2571/0066; B65D 2571/0029;  
B65D 71/0223; B65D 2543/0026; B65D  
2543/00092; B65D 2543/00509; B65D  
21/0233; B65D 1/265; B65D 81/3453;  
B65D 25/107  
See application file for complete search history.

(56) **References Cited**  
U.S. PATENT DOCUMENTS  
3,120,322 A \* 2/1964 Henninger ..... B65D 1/243  
206/139  
D276,025 S \* 10/1984 Hexamer ..... D9/425  
6,619,501 B2 \* 9/2003 Hayes ..... B65D 1/44  
220/605  
D643,251 S \* 8/2011 Stamper ..... D7/602  
D648,535 S \* 11/2011 Reinhart ..... D3/302

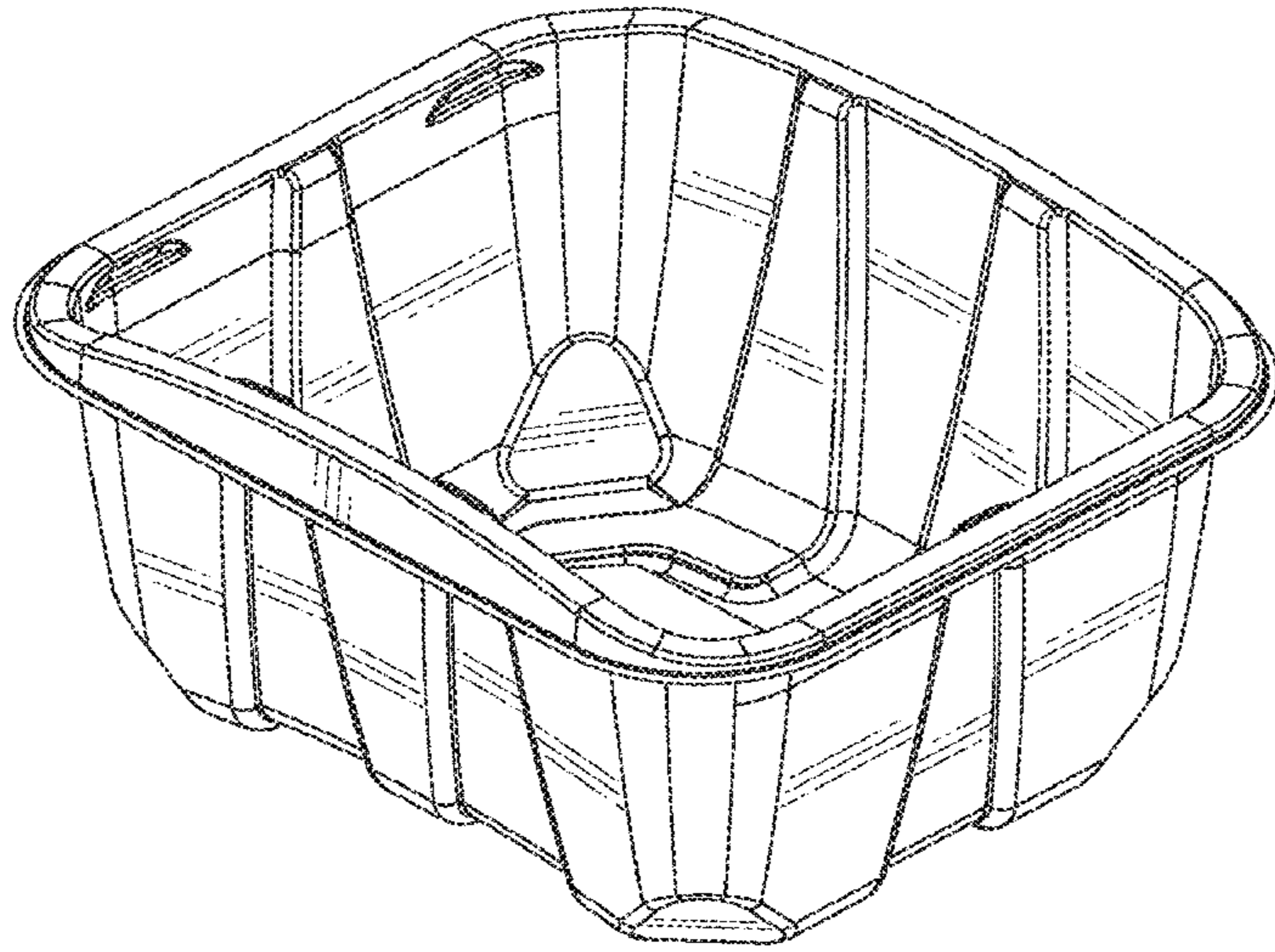
\* cited by examiner  
*Primary Examiner* — Derrick Holland  
*Assistant Examiner* — Lauren Calve  
(74) *Attorney, Agent, or Firm* — Cardinal Law Group

(57) **CLAIM**  
The ornamental design for a container, as shown and described.

**DESCRIPTION**

FIG. 1 is a top view of a container;  
FIG. 2 is a bottom view of the container of FIG. 1;  
FIG. 3 is a front side view of the container of FIG. 1, the back side view being a mirror image thereof;  
FIG. 4 is a left side view of the container of FIG. 1, the right side view being a mirror image thereof;  
FIG. 5 is a top perspective view of the container of FIG. 1;  
FIG. 6 is a top view of a second embodiment of the container;  
FIG. 7 is a bottom view of the container of FIG. 6;  
FIG. 8 is a front side view of the container of FIG. 6, the back side view being a mirror image thereof;  
FIG. 9 is a left side view of the container of FIG. 6, the right side view being a mirror image thereof; and,  
FIG. 10 is a top perspective view of the container of FIG. 6.

**1 Claim, 10 Drawing Sheets**



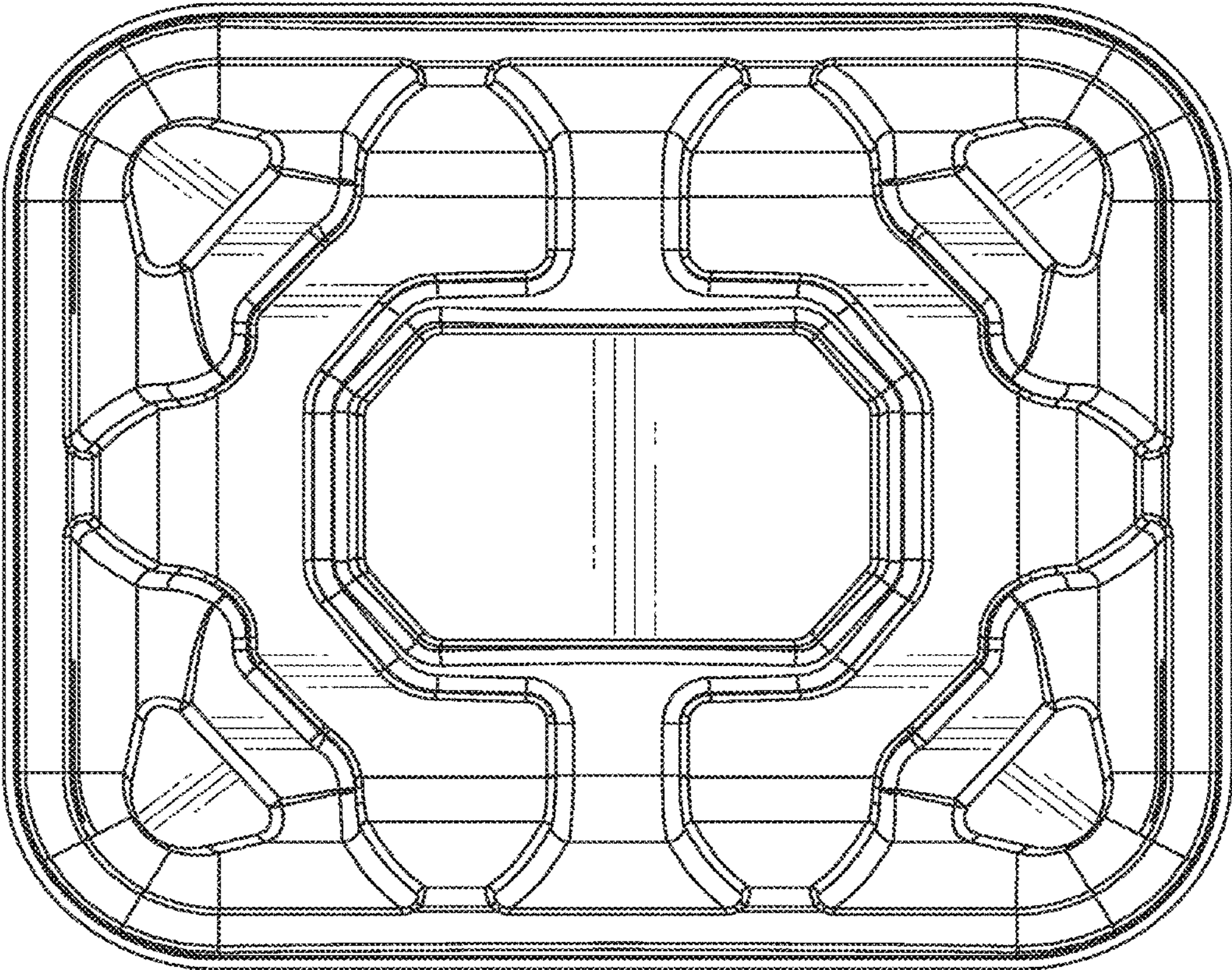


FIG. 1

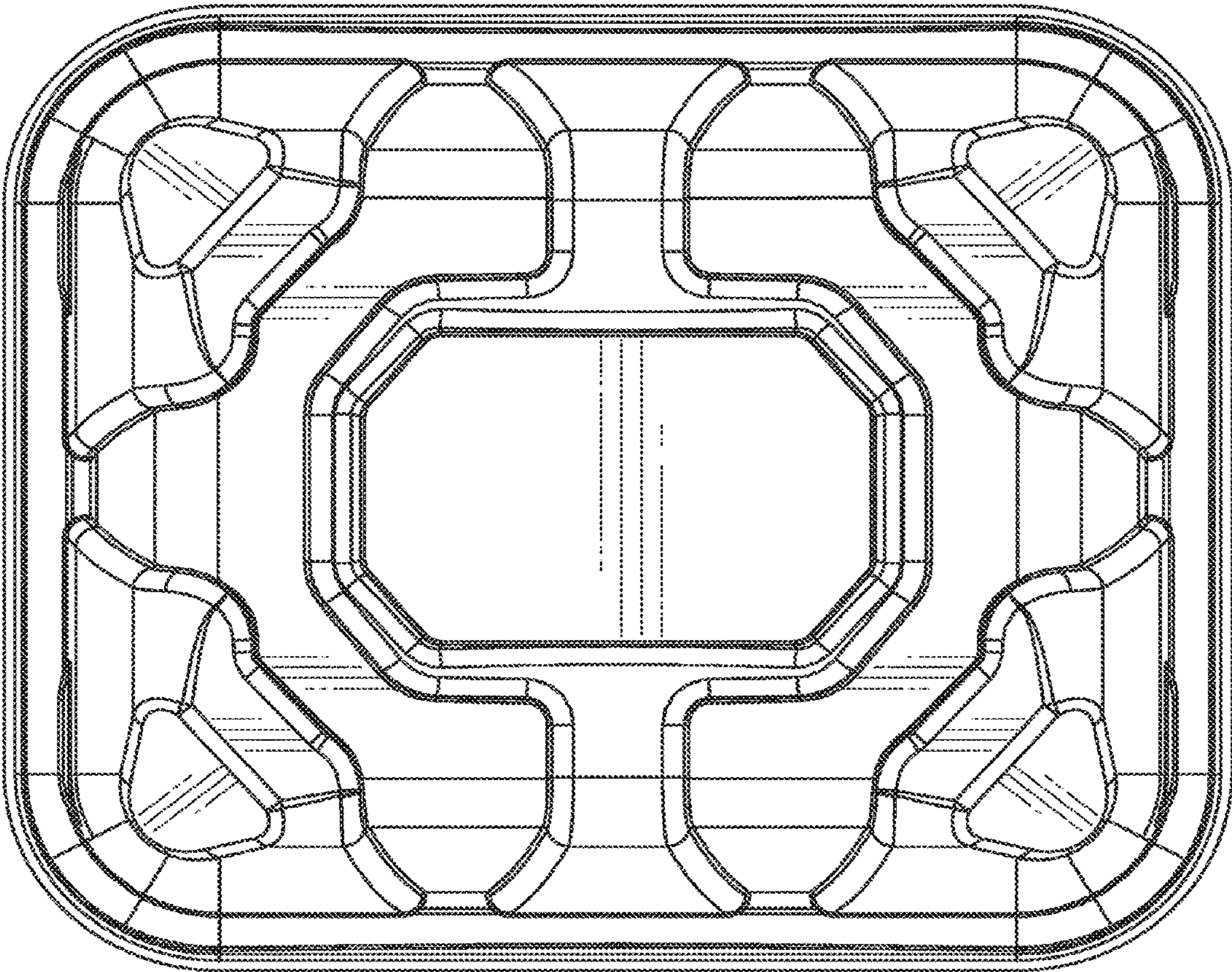


FIG. 2

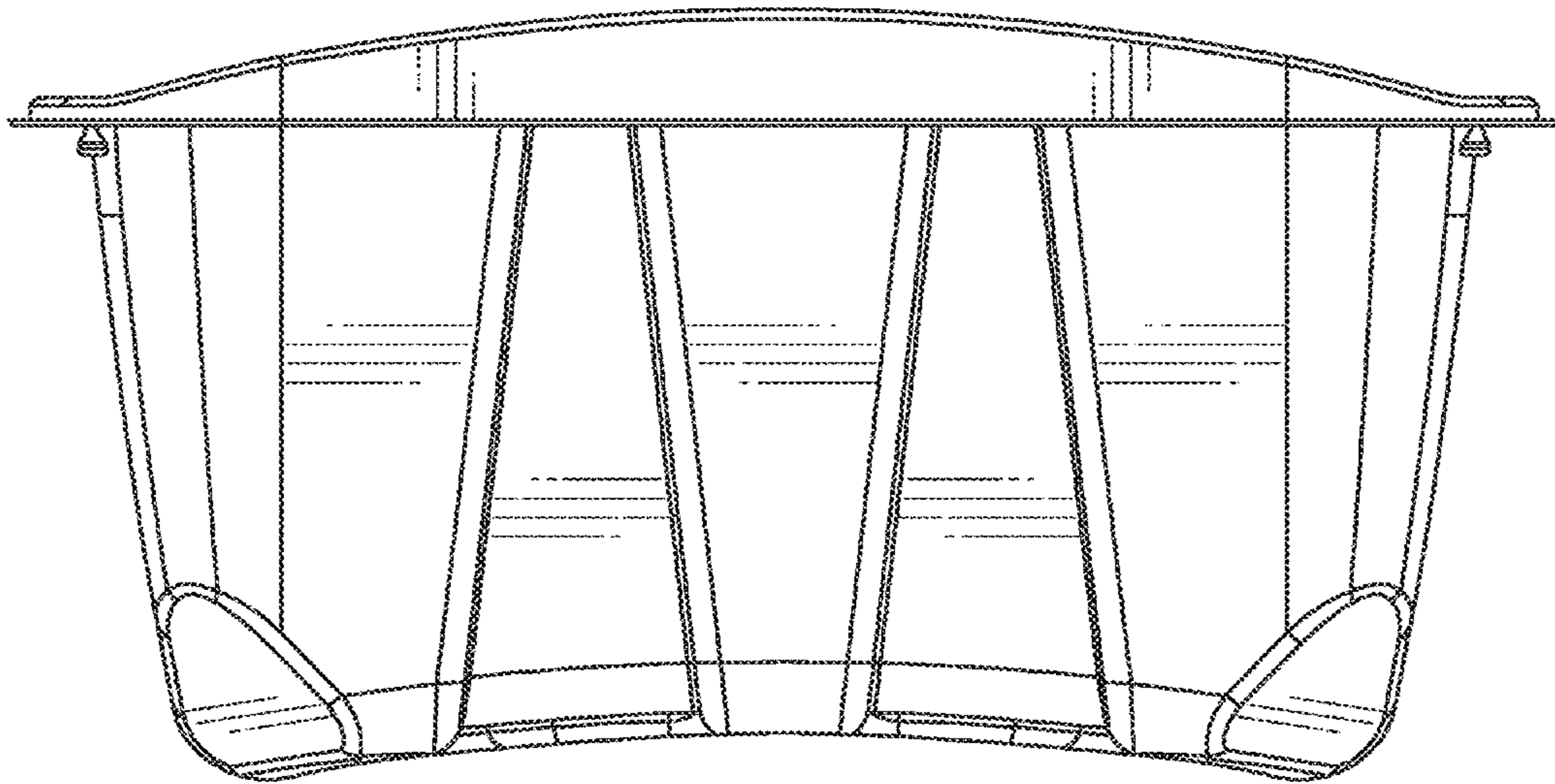


FIG. 3

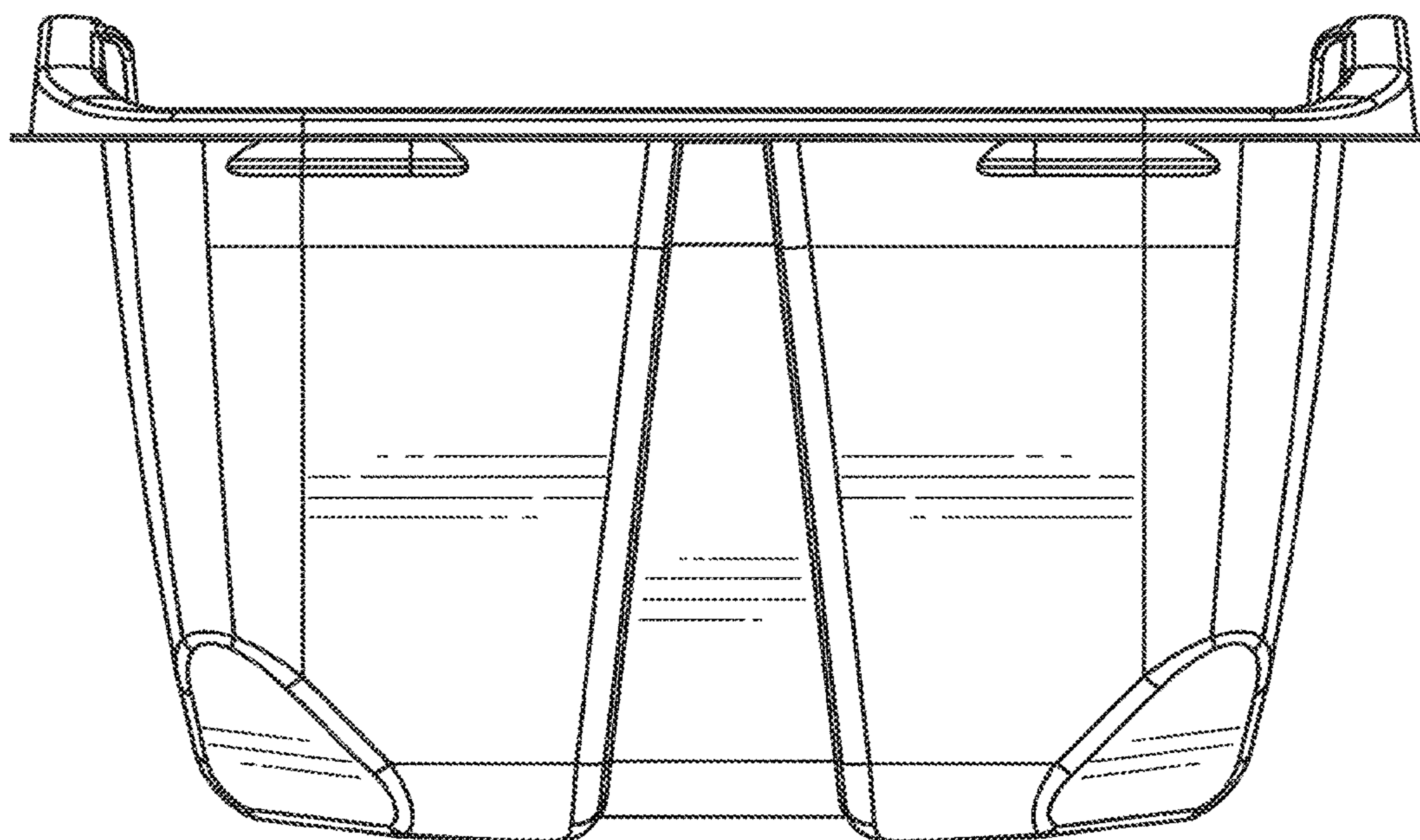


FIG. 4

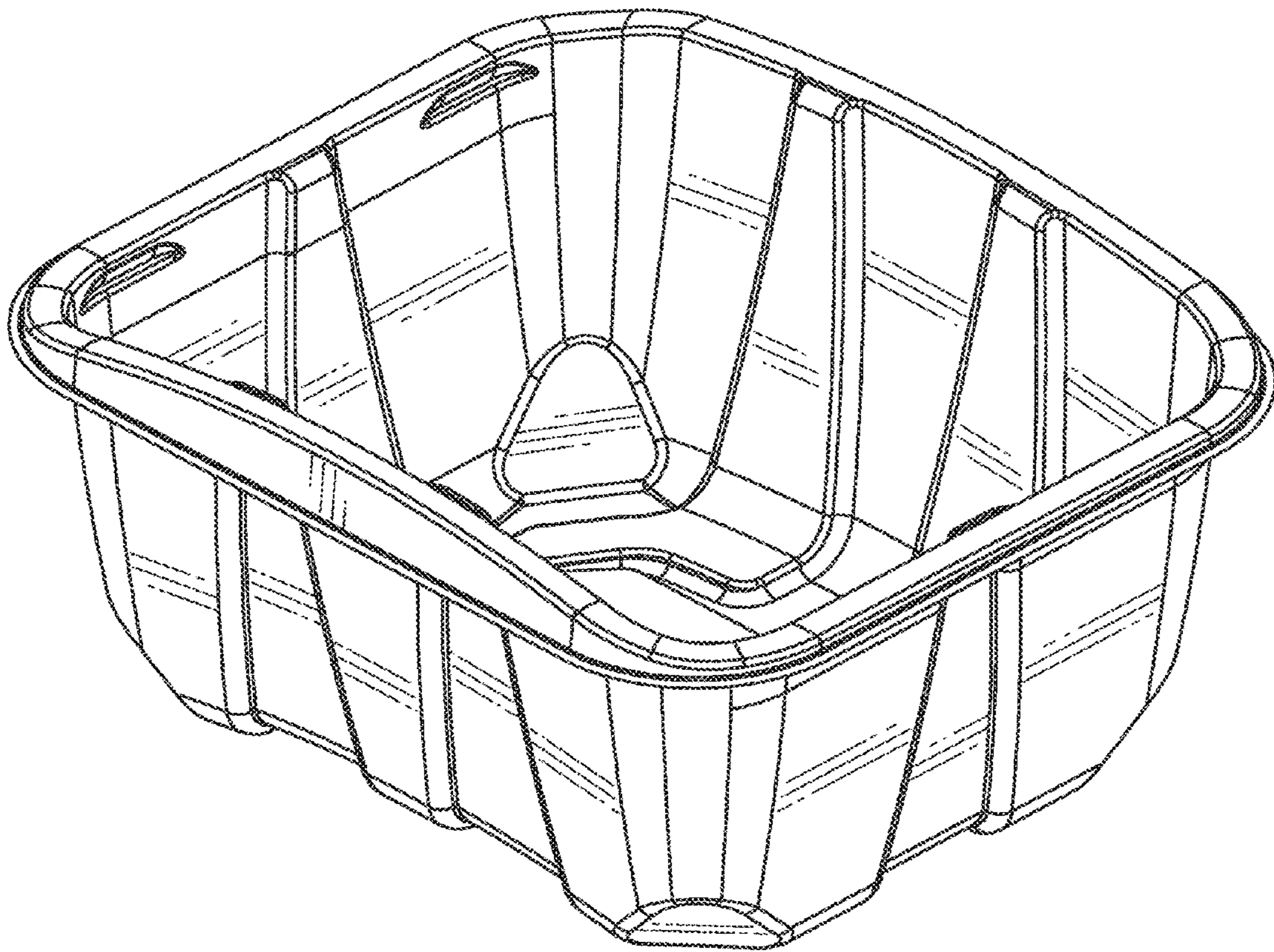


FIG. 5

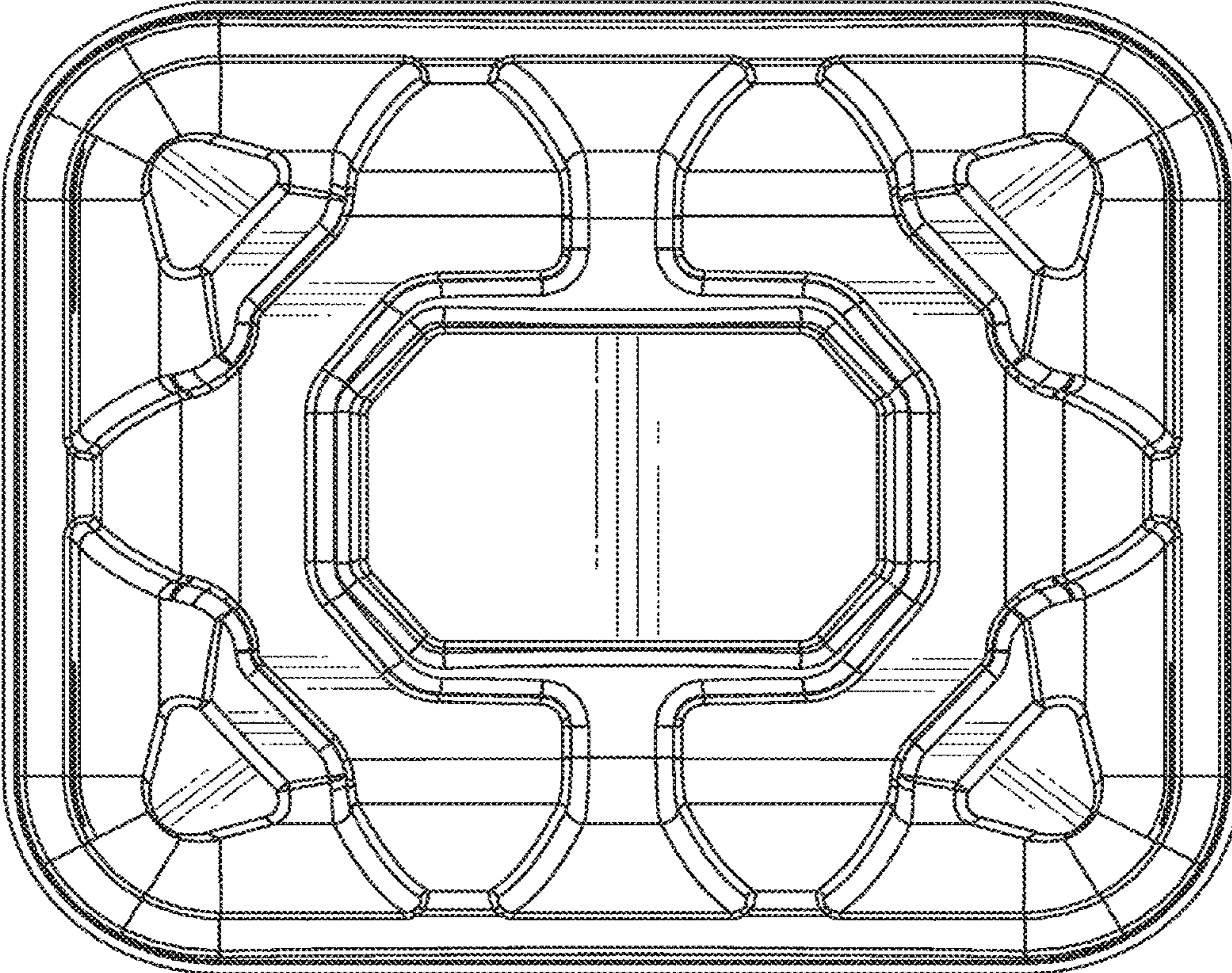


FIG. 6

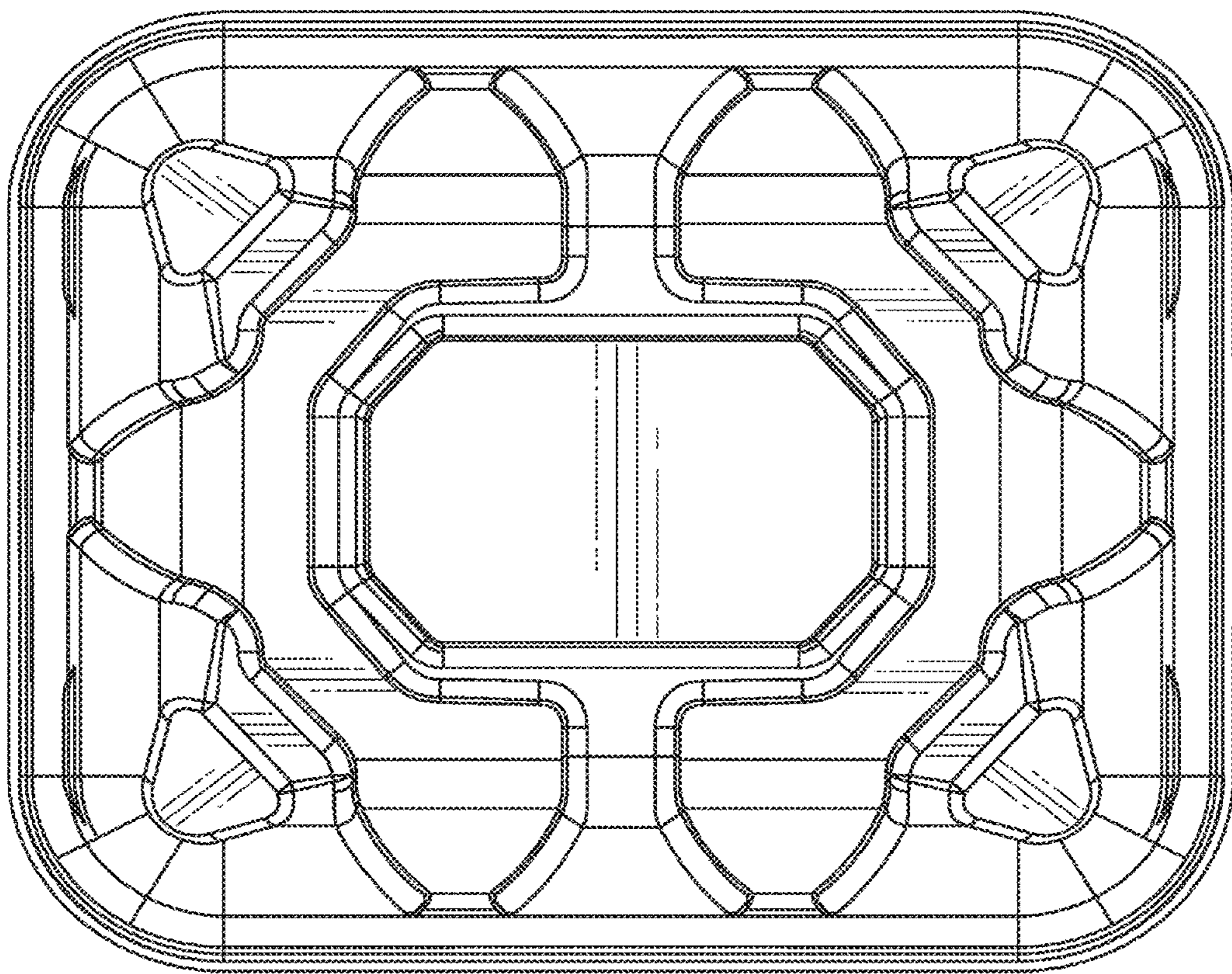


FIG. 7



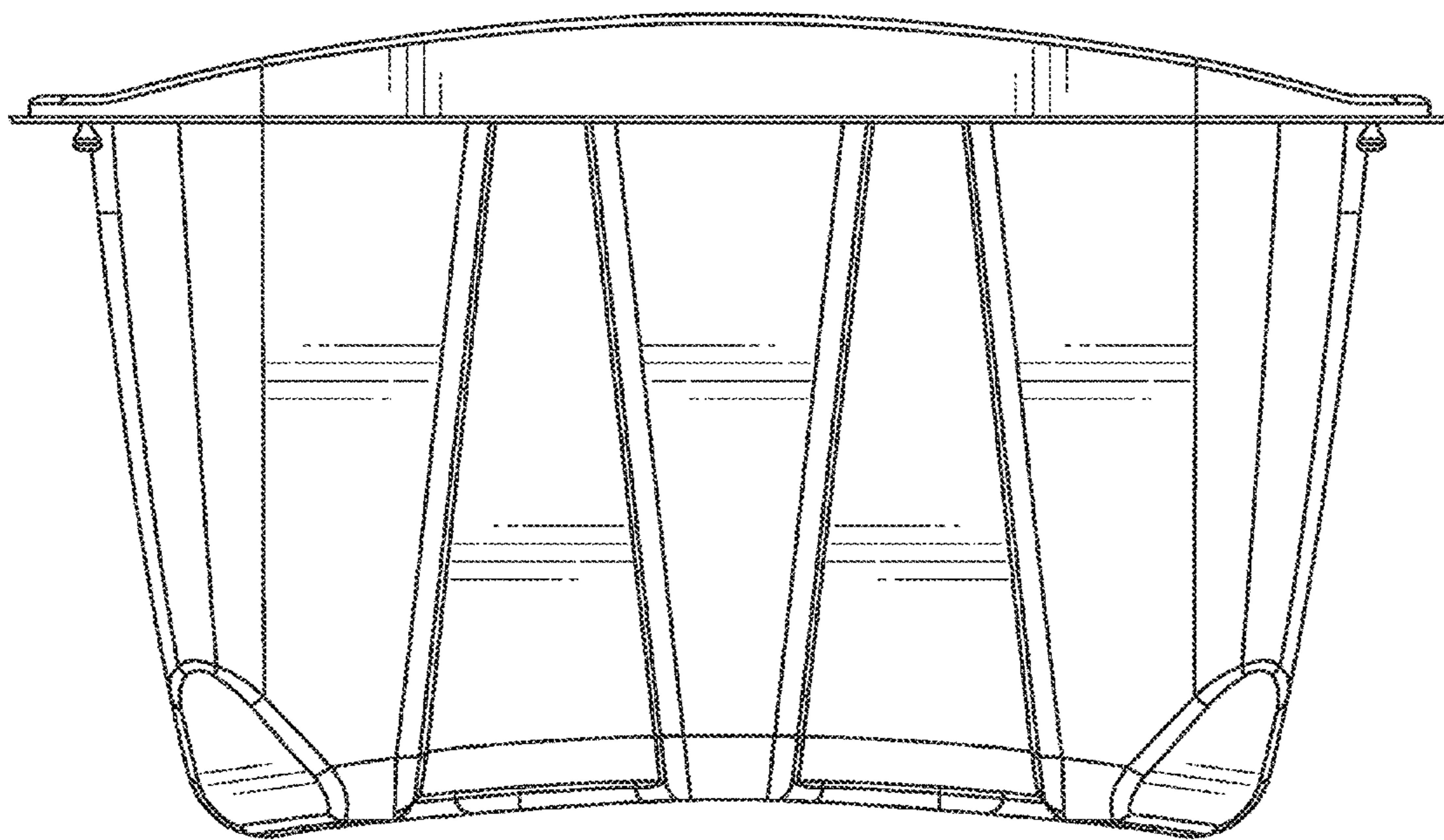


FIG. 8

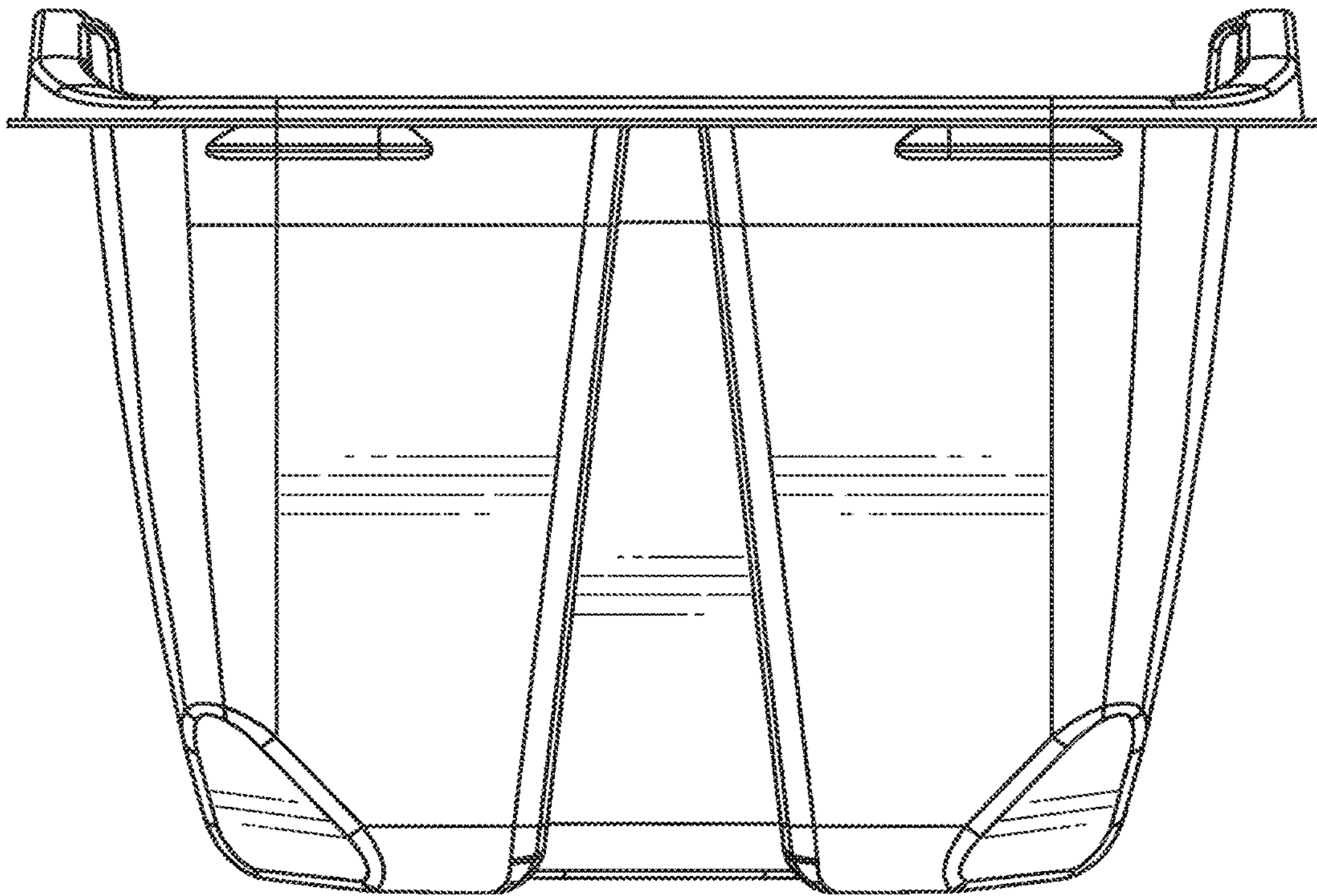


FIG. 9

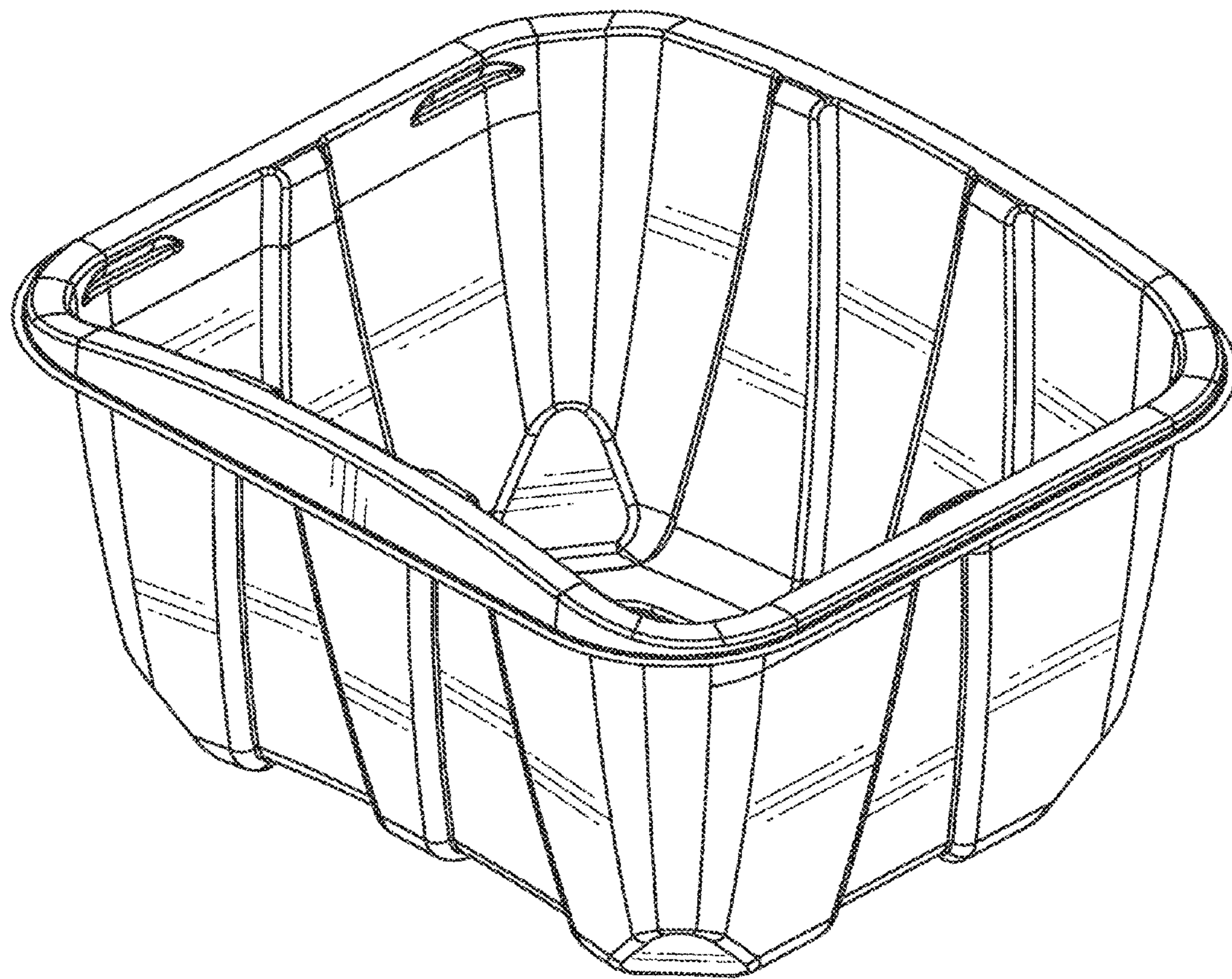


FIG. 10