



US00D770270S

(12) **United States Design Patent** (10) **Patent No.:** **US D770,270 S**
McGarry et al. (45) **Date of Patent:** **** Nov. 1, 2016**

(54) **PACKAGE**
(71) Applicant: **PHILIP MORRIS PRODUCTS S.A.**,
Neuchâtel (CH)
(72) Inventors: **Rory McGarry**, Dublin (IE); **Jeffrey**
Simons, The Hague (NL)
(73) Assignee: **PHILIP MORRIS PRODUCTS S.A.**
(CH)

565,710 A * 8/1896 Tollner A45C 11/34
131/240.1
1,500,007 A * 7/1924 Sibbald A21B 3/132
206/558
1,868,103 A * 7/1932 Herlihy B65D 67/02
206/45.23
2,011,996 A * 8/1935 Belk B65D 25/04
206/549
D135,419 S * 4/1943 Wade 249/132
2,581,615 A * 1/1952 Whitelaw A47F 7/03
206/557

(Continued)

(**) Term: **14 Years**

(21) Appl. No.: **29/512,331**

(22) Filed: **Dec. 18, 2014**

(30) **Foreign Application Priority Data**

Jun. 25, 2014 (EM) 002490599-0005

(51) **LOC (10) Cl.** **09-03**

(52) **U.S. Cl.**
USPC **D9/423**

(58) **Field of Classification Search**

USPC D9/414, 415, 416, 417, 418, 419, 420,
D9/421, 422, 423, 424, 425, 426, 427, 428,
D9/429, 431, 432, 433; D7/546, 602, 610,
D7/624.1, 630; D28/4, 8
CPC A47G 21/14; A47J 47/14; B65D 1/22;
B65D 1/34; B65D 1/36; B65D 1/40; B65D
1/46; B65D 21/083; B65D 21/0234; B65D
43/162; B65D 77/245; B65D 2543/00092;
B65D 2543/0012; B65D 2543/00101; B65D
2543/00296; B65D 3/28; B65D 5/4204;
B65D 7/46; B65D 85/12; B65D 85/34;
B21D 51/2646; A45C 11/02; A45F 3/48

See application file for complete search history.

(56) **References Cited**

U.S. PATENT DOCUMENTS

162,342 A * 4/1875 Beidler B65D 1/34
229/125.38
386,952 A * 7/1888 Altfather B42F 17/02
206/558

FOREIGN PATENT DOCUMENTS

CH 141037-0001 * 11/2014
CH 141037-0002 * 11/2014

OTHER PUBLICATIONS

The Wall Street Journal "Introducing the New USB-Powered Pack of Marlboros" by Tom Gara (online) posted on Jun. 27, 2014. Retrieved from Internet Sep. 27, 2015, URL: <http://blogs.wsj.com/corporate-intelligence/2014/06/27/introducing-the-new-usb-powered-pack-of-marlboros/> (4 pages).*

(Continued)

Primary Examiner — Karen S Acker
Assistant Examiner — Wendy Arminio
(74) *Attorney, Agent, or Firm* — Saidman DesignLaw Group, LLC

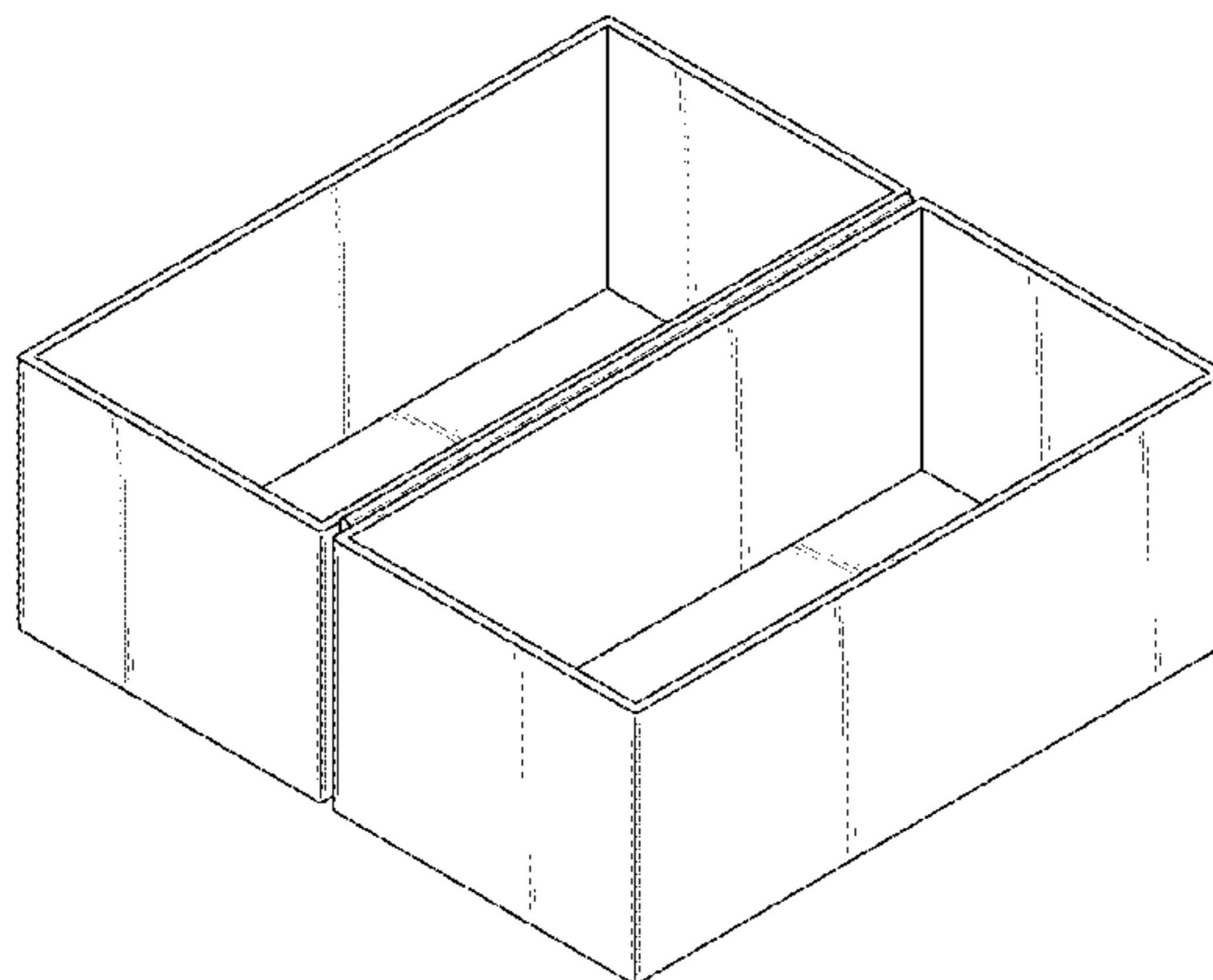
(57) **CLAIM**

The ornamental design for a package, as shown and described.

DESCRIPTION

FIG. 1 is a perspective view of a package showing our new design;
FIG. 2 is a front view thereof, the rear view being identical;
FIG. 3 is a left side view thereof, the right side view being identical;
FIG. 4 is a top view thereof; and,
FIG. 5 is a bottom view thereof.

1 Claim, 3 Drawing Sheets



(56)

References Cited

U.S. PATENT DOCUMENTS

2,693,296 A * 11/1954 Nemesio B65D 5/46008
206/139
3,164,284 A * 1/1965 Bergh B65D 7/24
220/4.22
D252,853 S * 9/1979 Perkins D9/421
4,369,914 A * 1/1983 Langston, Jr. B65D 5/6626
229/159
4,618,090 A * 10/1986 Cortellucci B65D 43/162
220/326
5,381,892 A * 1/1995 Allen B65D 75/525
206/216
D369,295 S * 4/1996 Kobari D9/423

5,816,405 A * 10/1998 Carriger, Jr. A45C 11/20
206/542
D405,610 S * 2/1999 Rasmussen D3/305
D474,688 S * 5/2003 Litts D3/295
D539,036 S * 3/2007 Potts D12/425
D656,789 S * 4/2012 Locke D7/541
D674,216 S * 1/2013 Erickson D6/683.1
2015/0375889 A1* 12/2015 Brockman B65D 1/34
220/571

OTHER PUBLICATIONS

Vape Magazine "Vape News—iQOS Kit Packaging" (online) posted Oct. 15, 2014. Retrieved from Internet Sep. 27, 2015, URL: <http://www.vape-magazine.com/vape-news/1293/> (6 pages).*

* cited by examiner

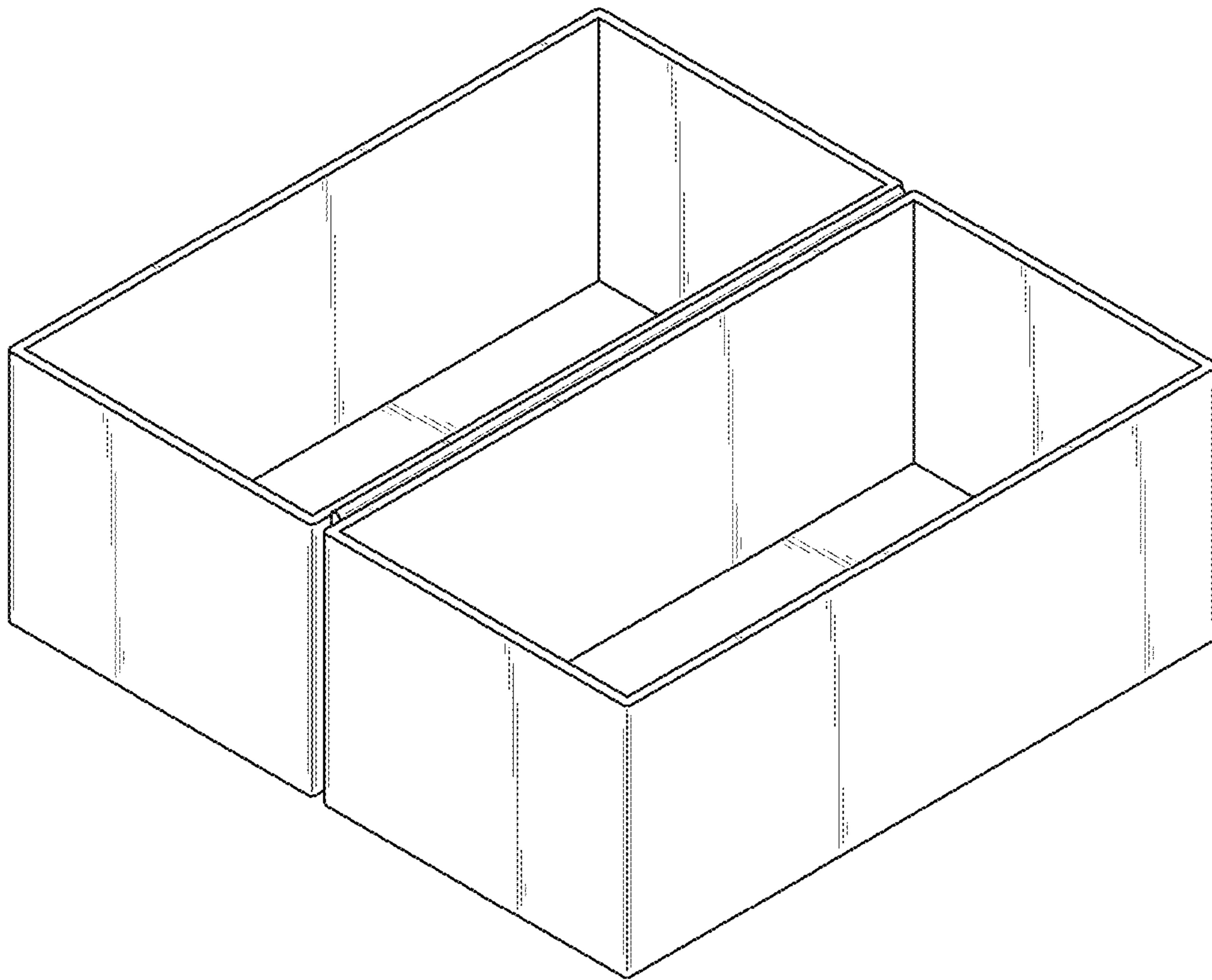


Fig. 1

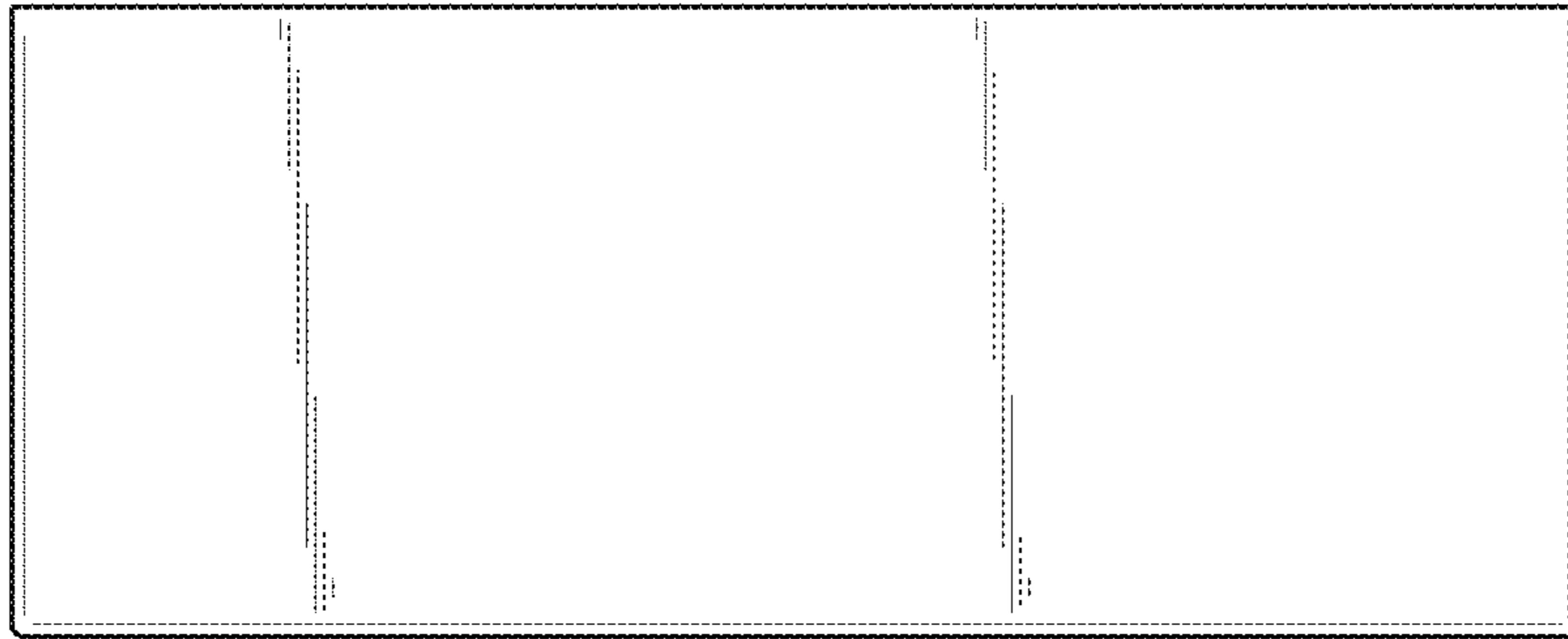


Fig. 2

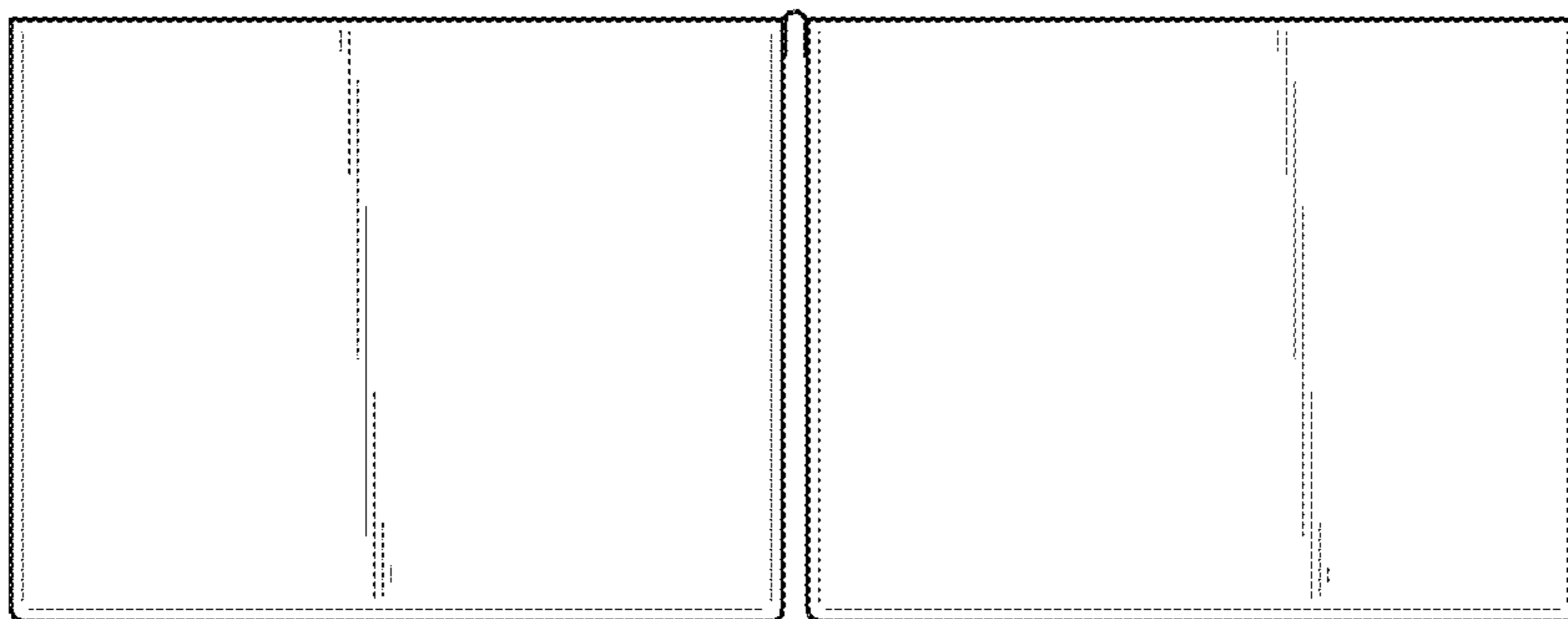


Fig. 3

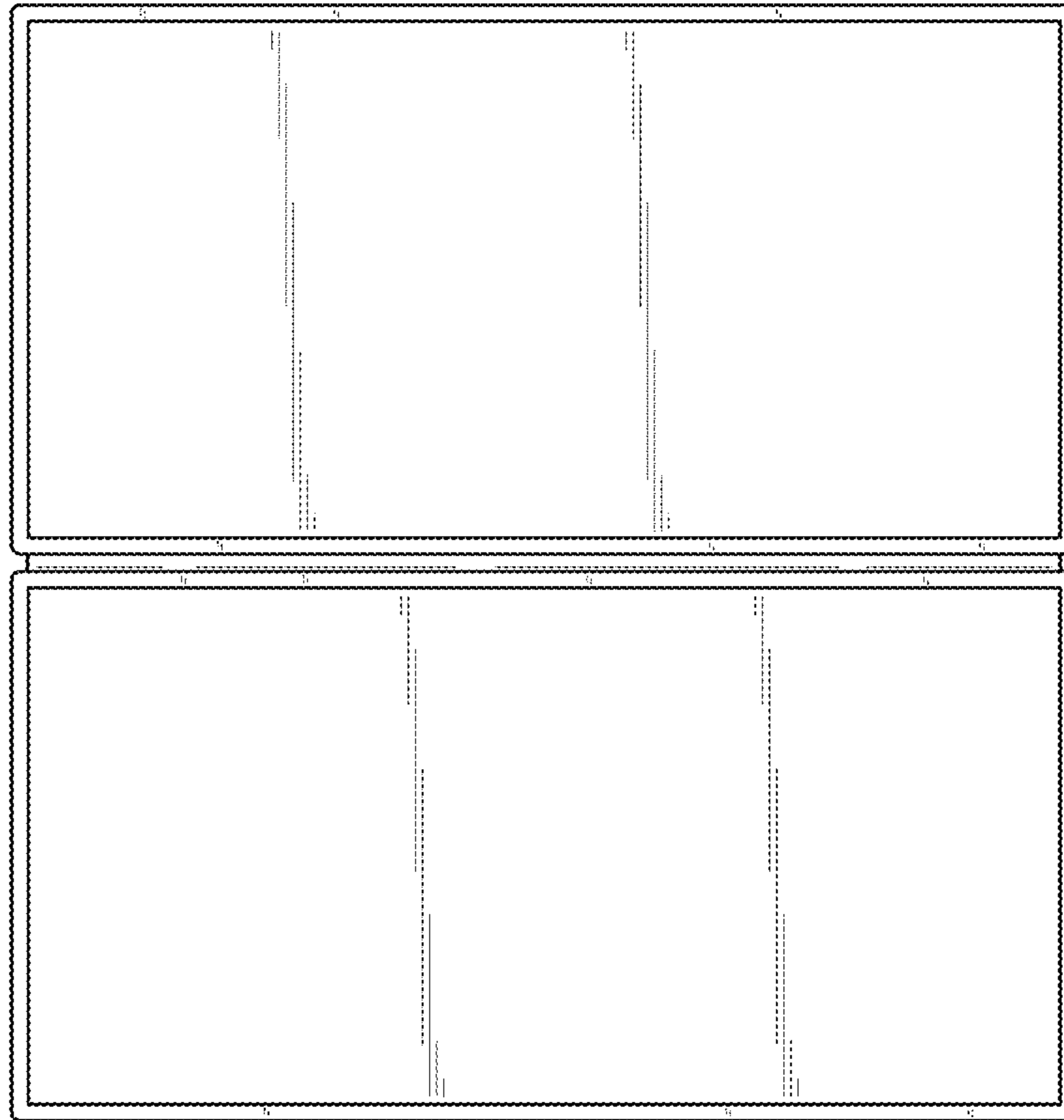


Fig. 4

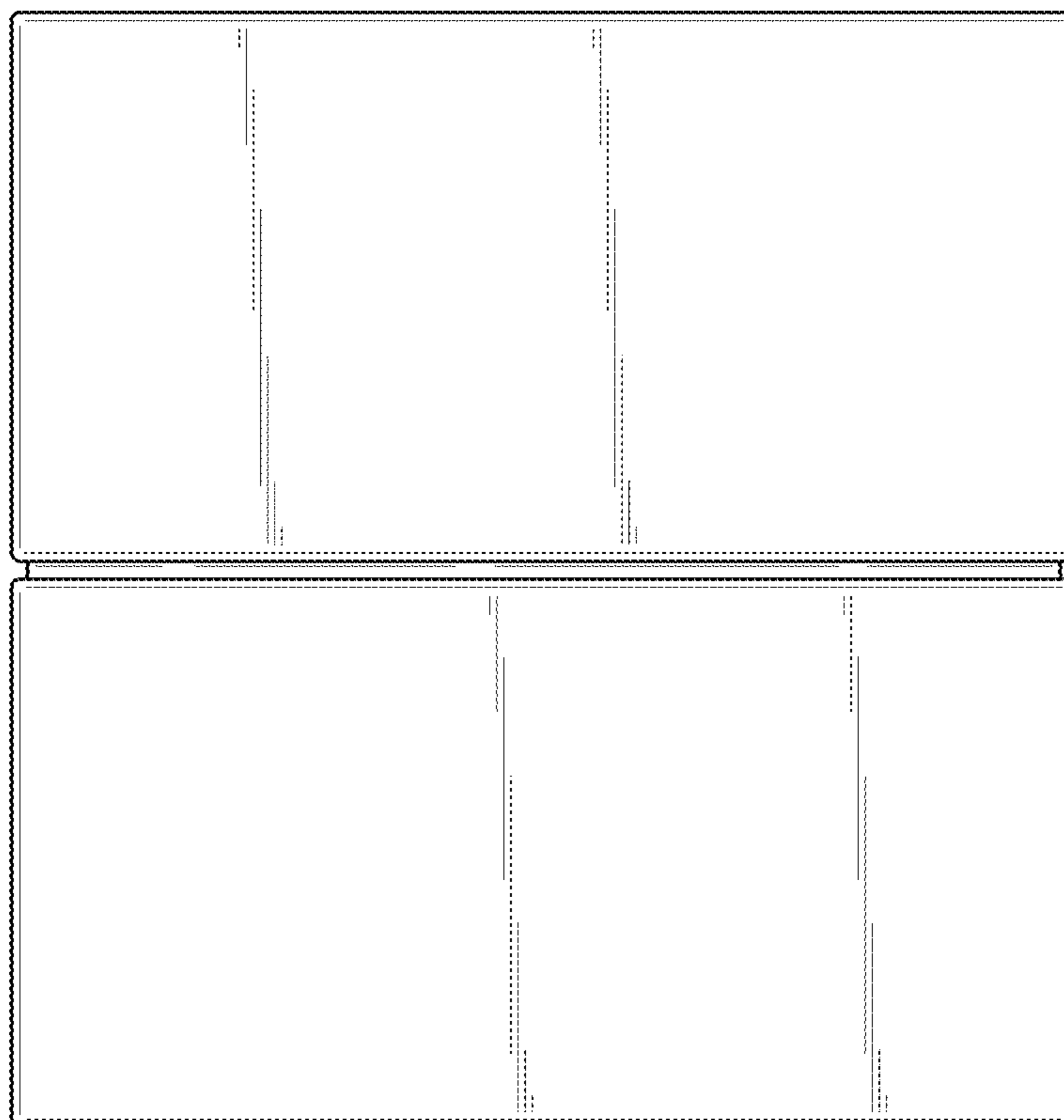


Fig. 5