



US00D770267S

(12) **United States Design Patent**  
**Roan et al.**

(10) **Patent No.:** **US D770,267 S**  
(45) **Date of Patent:** **\*\* Nov. 1, 2016**

(54) **HOLDER FOR A FLOOR COVERING**

(71) Applicant: **Art Guild, Inc.**, Thorofare, NJ (US)

(72) Inventors: **Joseph Roan**, Media, PA (US); **Ivan Letinic**, Manalapan, NJ (US); **Jacob Donadee**, Philadelphia, PA (US); **Gregg Hlade**, West Deptford, PA (US); **Sean Monahan**, Audobon, NJ (US); **Owen McCormick**, Philadelphia, PA (US)

(73) Assignee: **Art Guild, Inc.**, Thorofare, NJ (US)

(\*\*) Term: **14 Years**

(21) Appl. No.: **29/490,433**

(22) Filed: **May 9, 2014**

(51) **LOC (10) Cl.** ..... **08-08**

(52) **U.S. Cl.**  
USPC ..... **D8/395**

(58) **Field of Classification Search**  
USPC ..... D8/394-396, 72; D19/56, 65;  
D32/60-64; D28/40; 24/67.3  
CPC ..... D06F 55/00; A44D 2203/00; A61B  
17/0664; A61B 17/04; A61B 17/1265;  
A43D 79/00; A41B 3/08; A41F 15/02;  
A62F 2/0063

See application file for complete search history.

(56) **References Cited**

**U.S. PATENT DOCUMENTS**

2,678,655 A \* 5/1954 Butler ..... A45D 8/10  
132/281  
2,849,008 A \* 8/1958 Otten ..... A45D 8/20  
132/277

D203,314 S \* 12/1965 Thatcher ..... D28/40  
D361,506 S \* 8/1995 Rumpel ..... D8/395  
D367,223 S \* 2/1996 Adams ..... D8/395  
D430,699 S \* 9/2000 Coleman, Jr. .... D26/138  
D454,296 S \* 3/2002 Masson ..... D8/395  
D564,871 S \* 3/2008 Pitcher ..... D8/395  
D575,143 S \* 8/2008 Kuo ..... D8/356  
D584,943 S \* 1/2009 Kerr ..... D8/394  
D589,337 S \* 3/2009 Karlsson ..... D8/394  
D606,379 S \* 12/2009 Hughes ..... D8/394  
D652,907 S \* 1/2012 Andrews ..... D23/393  
D658,114 S \* 4/2012 Gammelgard ..... D12/417  
D659,525 S \* 5/2012 Boucher-Gagne ..... D8/394  
D664,838 S \* 8/2012 Parks ..... D8/395  
D696,104 S \* 12/2013 Kampl ..... D8/394

\* cited by examiner

*Primary Examiner* — John Windmuller

(74) *Attorney, Agent, or Firm* — Volpe and Koenig, P.C.

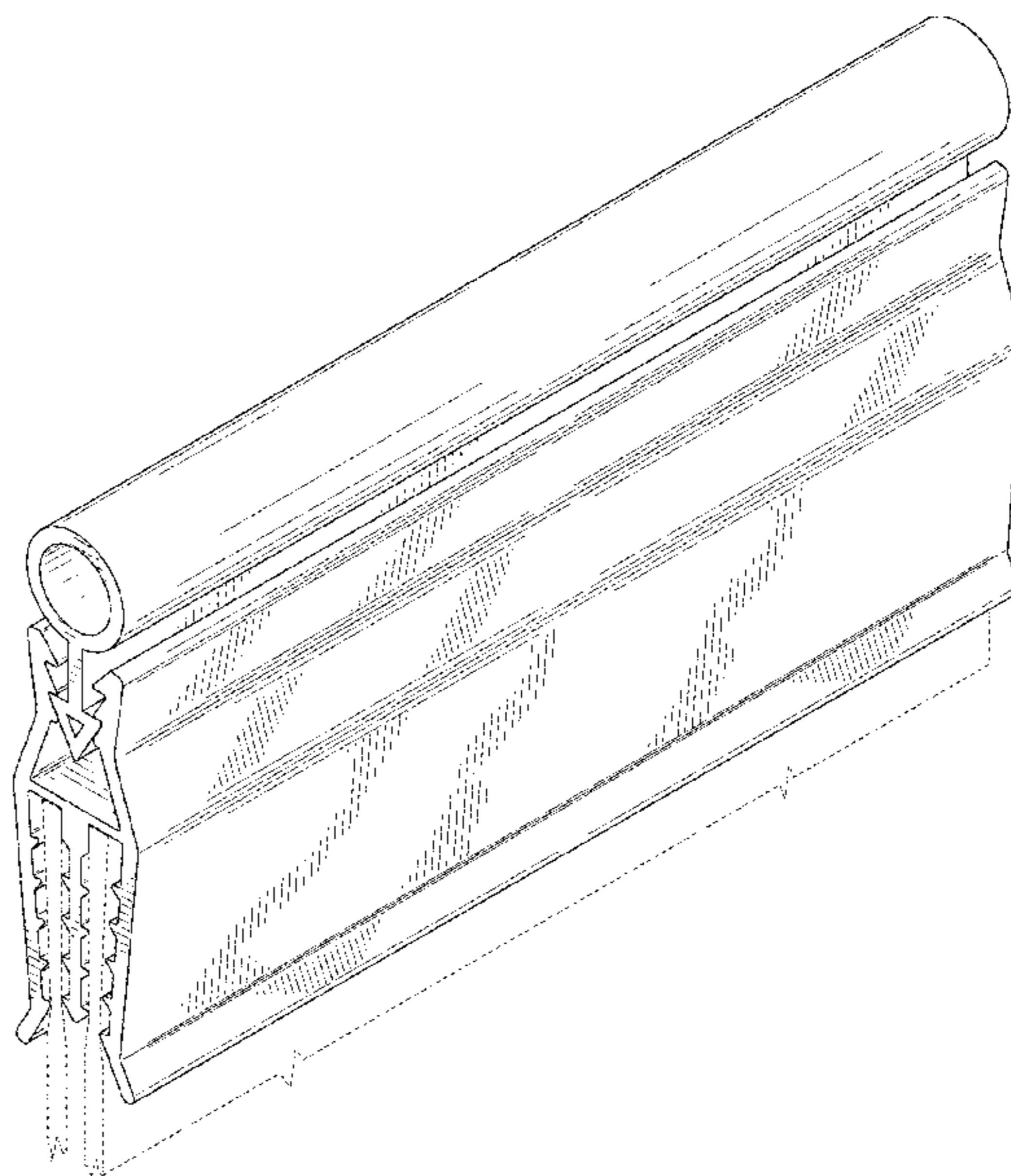
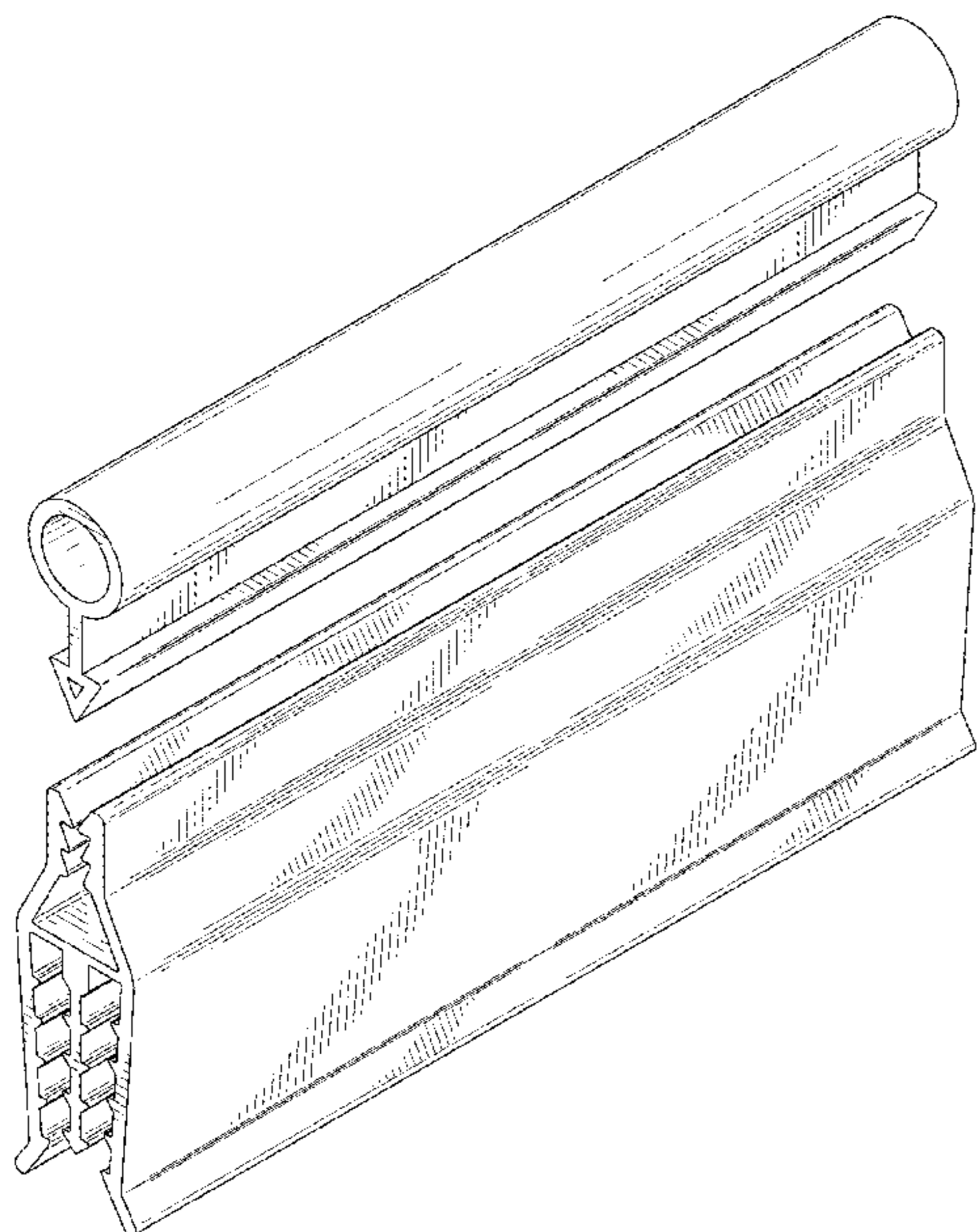
(57) **CLAIM**

The ornamental design for a holder for a floor covering, as shown and described.

**DESCRIPTION**

FIG. 1 is a perspective view of a holder for a floor covering according to our invention;  
FIG. 2 is a perspective view thereof with the parts assembled together and sample materials in broken lines;  
FIG. 3 is a left side view thereof; the right side view is a mirror image of FIG. 3;  
FIG. 4 is front plan view thereof; the rear plan view is a mirror image of FIG. 4;  
FIG. 5 is a top view thereof; and,  
FIG. 6 is bottom view thereof.  
The broken lines illustrate environmental structure and form no part of the claimed design.

**1 Claim, 5 Drawing Sheets**



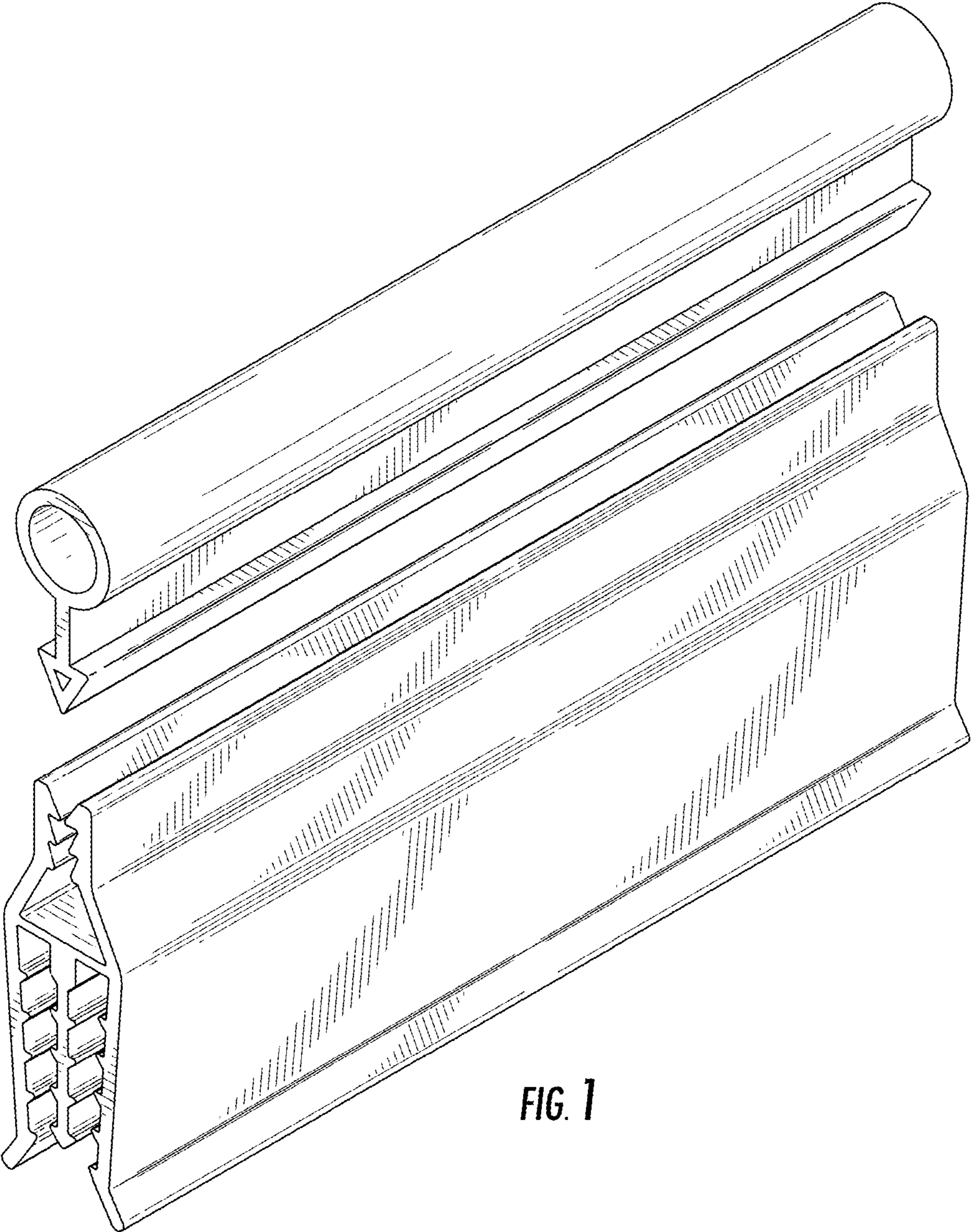


FIG. 1

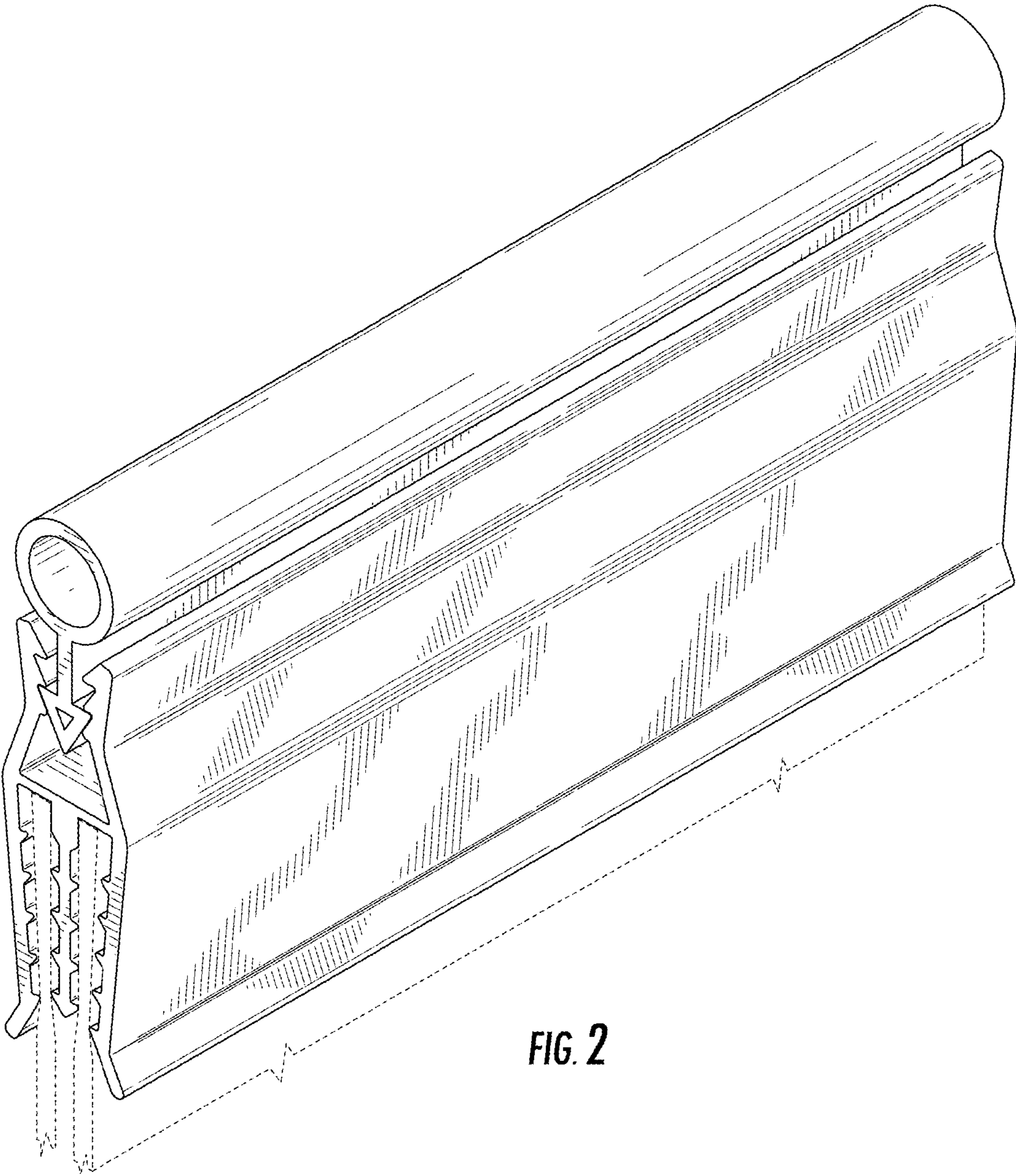
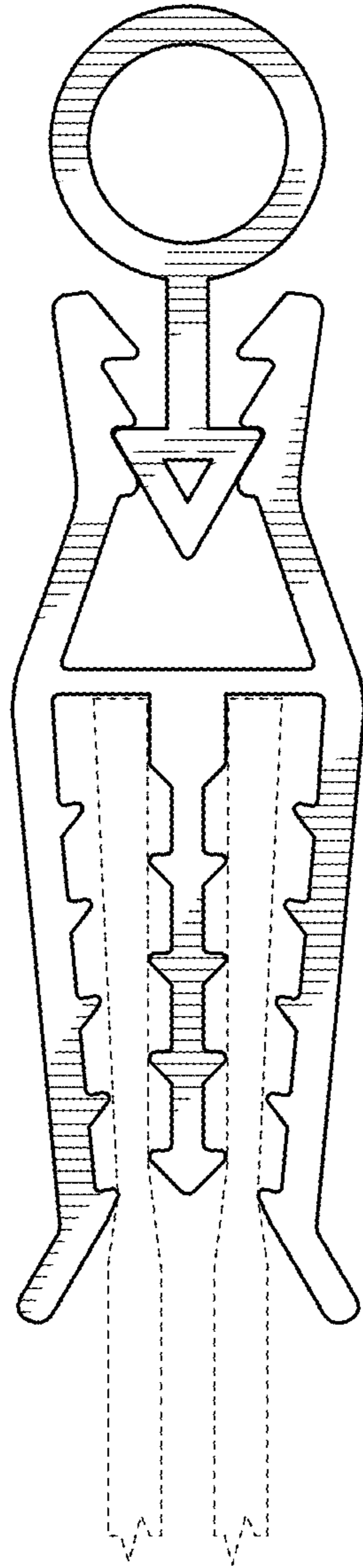


FIG. 2



**FIG. 3**

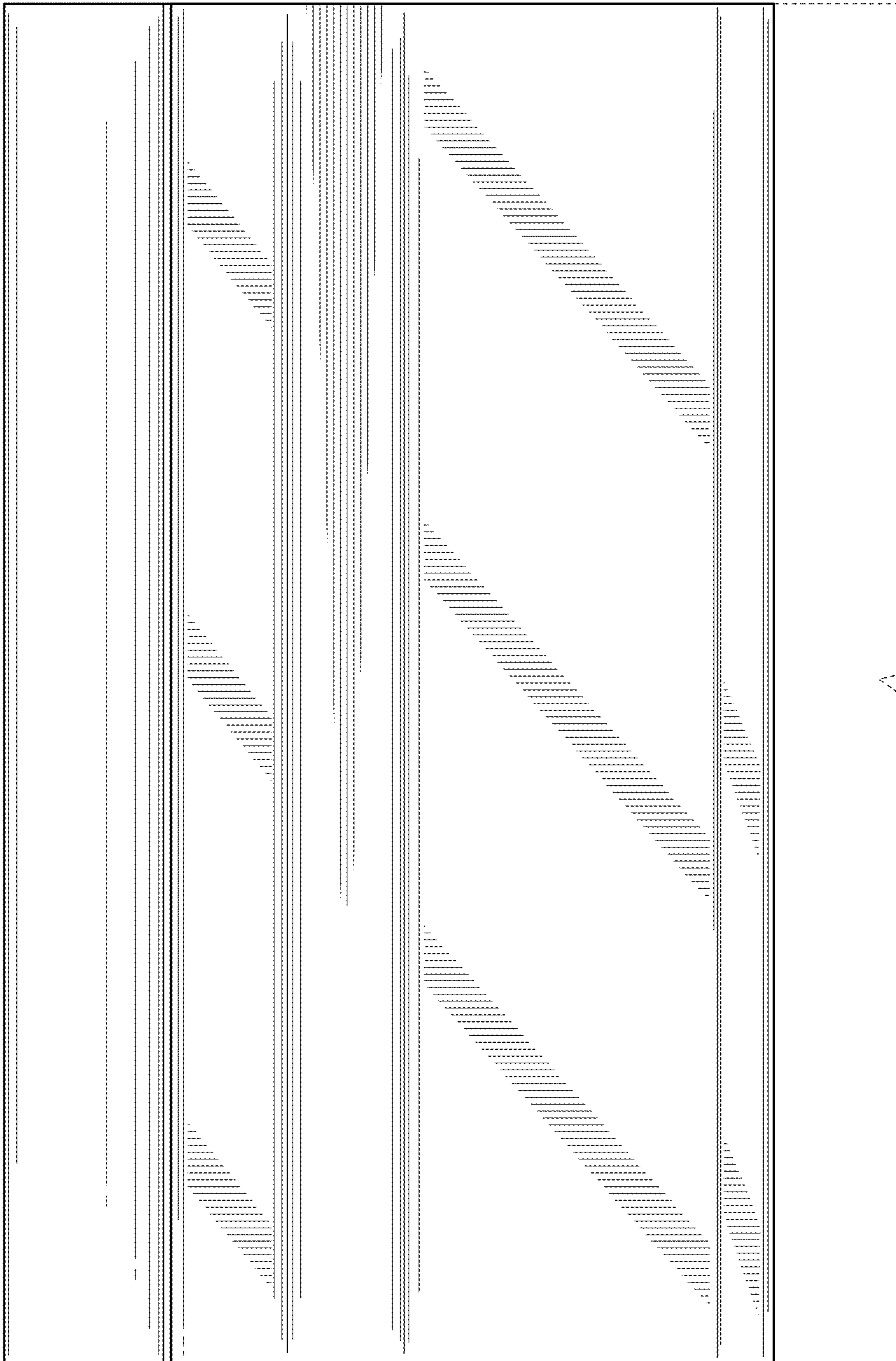
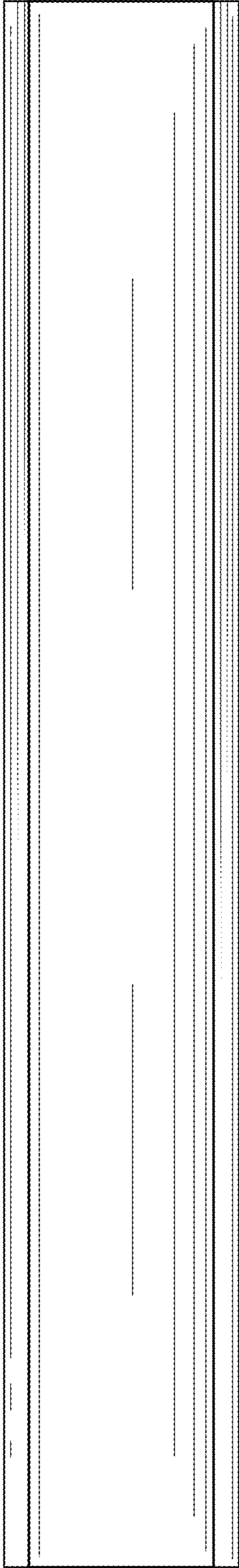
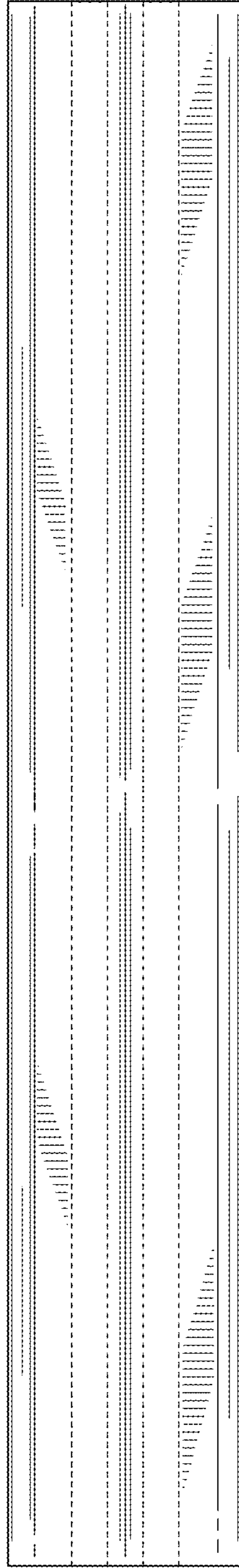


FIG. 4



**FIG. 5**



**FIG. 6**