



US00D770266S

(12) **United States Design Patent**
Tar et al.

(10) **Patent No.:** **US D770,266 S**

(45) **Date of Patent:** **** Nov. 1, 2016**

(54) **HOSE-TO-MATTRESS CONNECTION ASSEMBLY**

(71) Applicant: **Sealy Technology, LLC**, Trinity, NC (US)

(72) Inventors: **Alanda Marie Tar**, Greensboro, NC (US); **Dave Bina**, Northfield, OH (US); **Laird R. Daubenspeck**, Medina, OH (US)

(73) Assignee: **SEALY TECHNOLOGY, LLC**, Trinity, NC (US)

(**) Term: **14 Years**

(21) Appl. No.: **29/511,135**

(22) Filed: **Dec. 8, 2014**

(51) **LOC (10) Cl.** **08-08**

(52) **U.S. Cl.**
USPC **D8/382**

(58) **Field of Classification Search**

USPC D8/382, 387, 394, 397, 499; D23/259, D23/262, 499, 266; D6/606, 604
CPC F16L 33/227; F16L 33/223; F16L 29/02; B60C 29/00; B60C 29/002; B60C 29/005; A47C 27/085; A47C 27/081

See application file for complete search history.

(56) **References Cited**

U.S. PATENT DOCUMENTS

404,918 A * 6/1889 Linindoll F16L 29/02 251/149.4
4,423,526 A * 1/1984 Izzi, Sr. E03D 11/16 277/606

(Continued)

Primary Examiner — Sheryl Lane

Assistant Examiner — Ieisha Price

(57) **CLAIM**

The ornamental design for a hose-to-mattress connection assembly, as shown and described.

DESCRIPTION

FIG. 1 is a front elevational view of the male portion of the hose-to-mattress connection assembly of the present invention;

FIG. 2 is a rear elevational view of the male portion of the hose-to-mattress connection assembly of FIG. 1;

FIG. 3 is a left side elevational view of the male portion of the hose-to-mattress connection assembly of FIG. 1;

FIG. 4 is a right side elevational view of the male portion of the hose-to-mattress connection assembly of FIG. 1;

FIG. 5 is a top view of the male portion of the hose-to-mattress connection assembly of FIG. 1;

FIG. 6 is a bottom view of the male portion of the hose-to-mattress connection assembly of FIG. 1;

FIG. 7 is a perspective view of the male portion of the hose-to-mattress connection assembly of FIG. 1;

FIG. 8 is a front elevational view of the female portion of the hose-to-mattress connection assembly of the present invention;

FIG. 9 is a rear elevational view of the female portion of the hose-to-mattress connection assembly of FIG. 8;

FIG. 10 is a left side elevational view of the female portion of the hose-to-mattress connection assembly of FIG. 8;

FIG. 11 is a right side elevational view of the female portion of the hose-to-mattress connection assembly of FIG. 8;

FIG. 12 is a top view of the female portion of the hose-to-mattress connection assembly of FIG. 8;

FIG. 13 is a bottom view of the female portion of the hose-to-mattress connection assembly of FIG. 8;

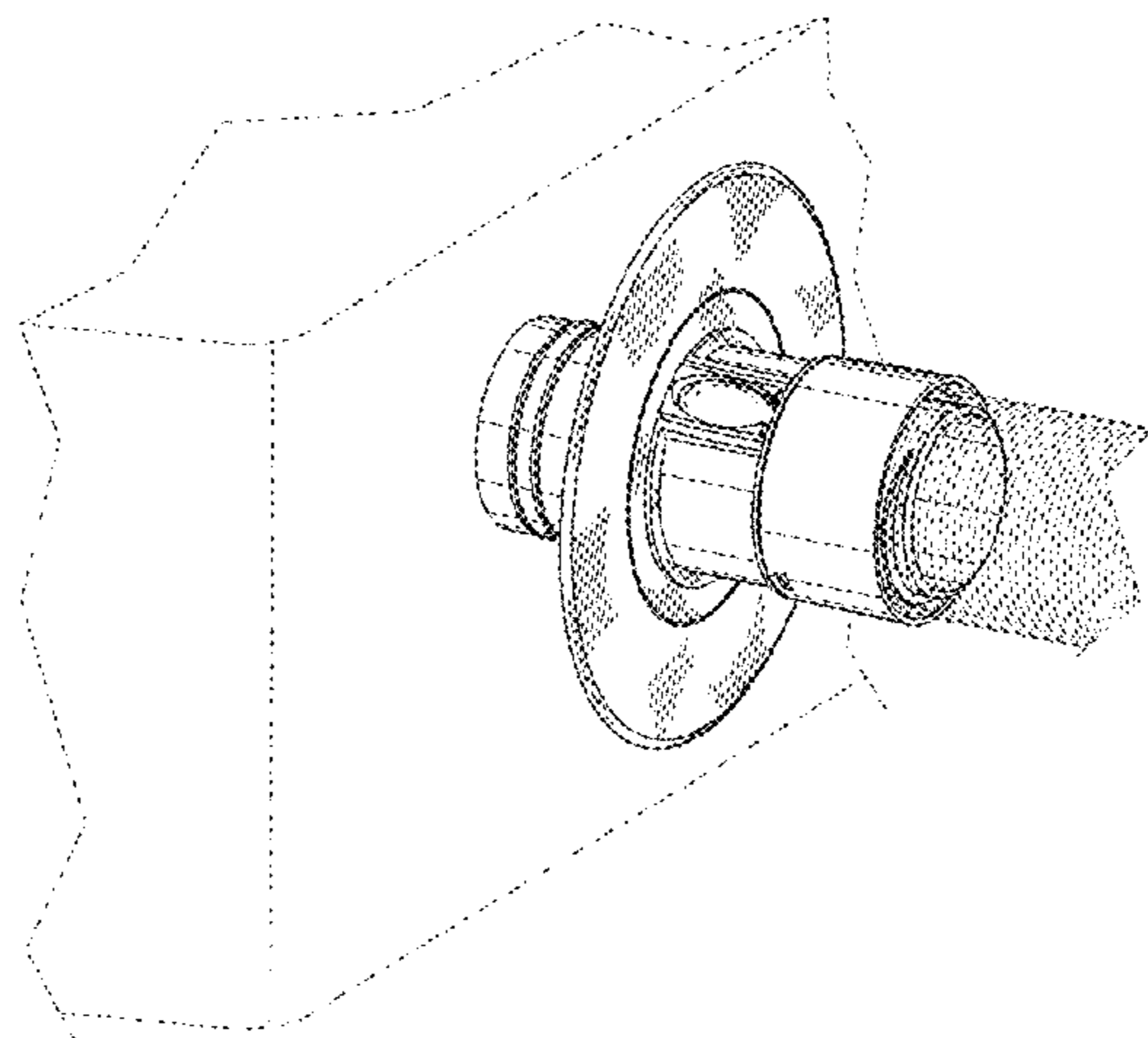
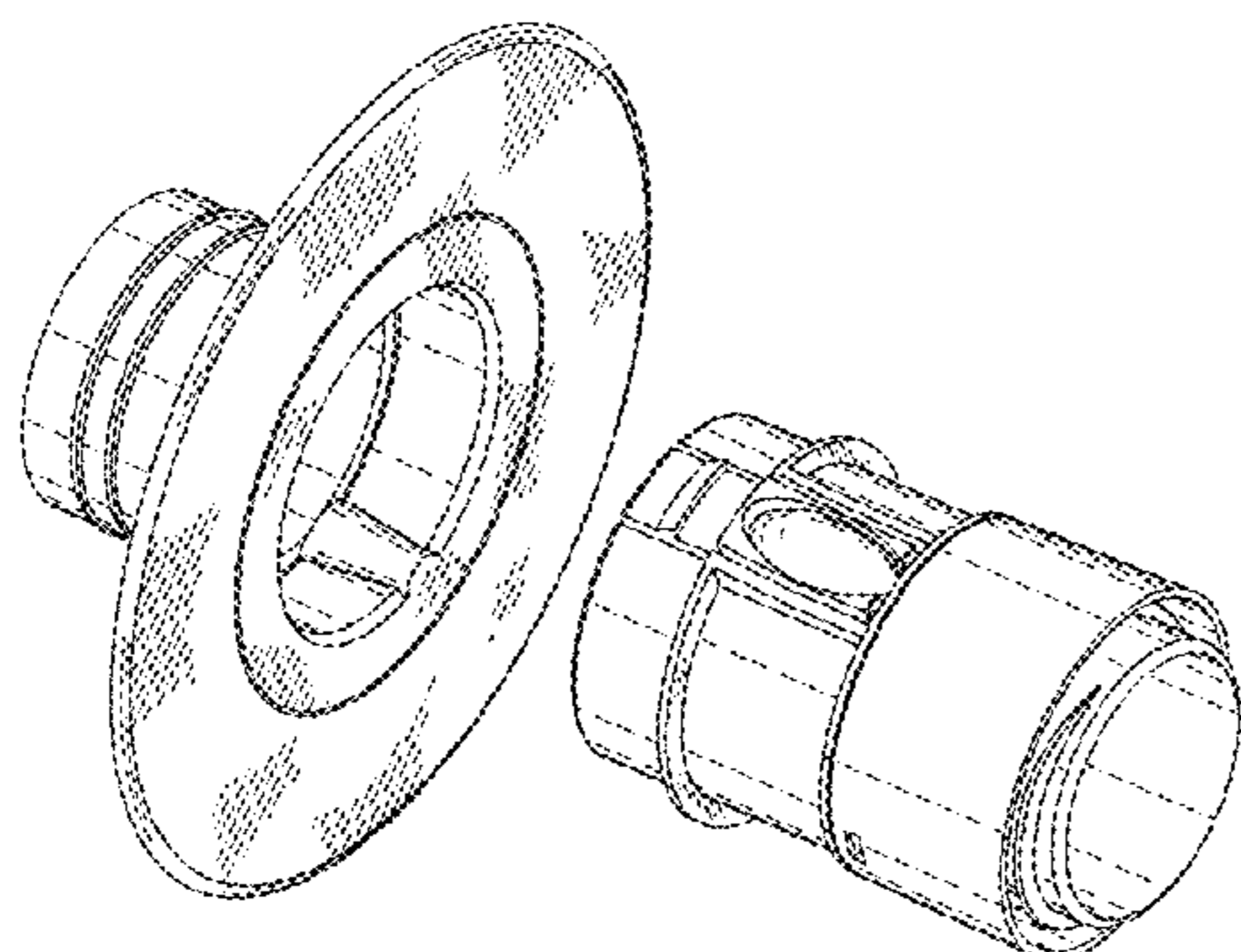
FIG. 14 is a perspective view of the female portion of the hose-to-mattress connection assembly of FIG. 8;

FIG. 15 is perspective view showing the male portion of the hose-to-mattress connection assembly of FIG. 1 aligned with the female portion of the hose-to-mattress connection assembly of FIG. 8; and,

FIG. 16 is another perspective view showing the male portion of the hose-to-mattress connection assembly of FIG. 1 aligned with the female portion of the hose-to-mattress connection assembly of FIG. 8, but further showing the female portion positioned on a mattress and the male portion connected to a hose.

The broken lines shown in FIG. 16 represents the environment of the claimed design and forms no part thereof.

1 Claim, 10 Drawing Sheets



(56)

References Cited

U.S. PATENT DOCUMENTS

D314,814 S *	2/1991	Lubeck	D23/262	D402,354 S *	12/1998	Strong	D23/259
D327,120 S *	6/1992	Ambrosi	D23/262	D703,519 S *	4/2014	Senseny	D8/382
D368,304 S *	3/1996	Morrison	D23/262	2002/0182005 A1*	12/2002	Milhas	F16L 33/227
D387,146 S *	12/1997	Morrison	D23/262				403/403
				2010/0156049 A1*	6/2010	Segur	F16L 5/10
							277/314

* cited by examiner

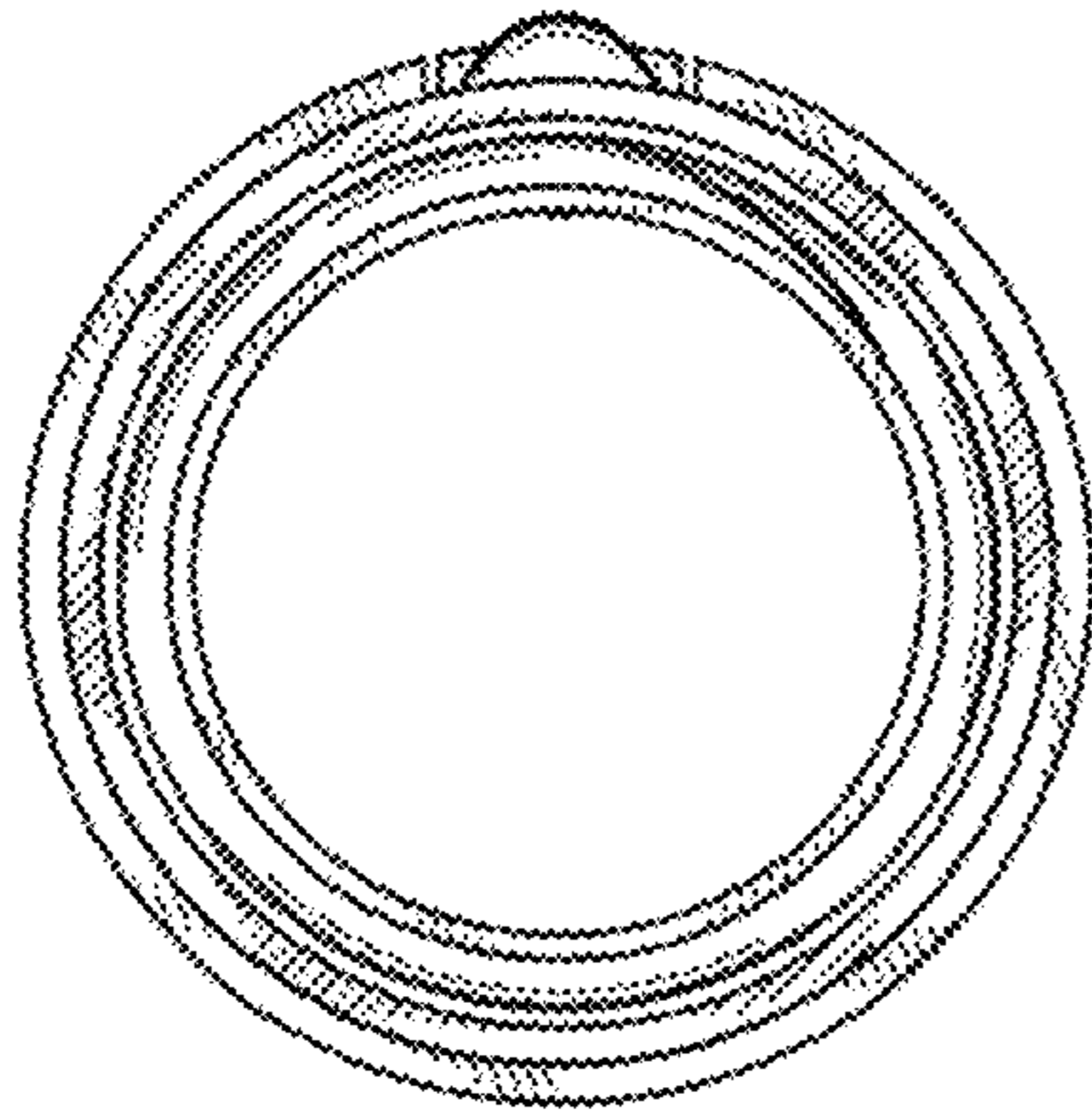


FIG. 1

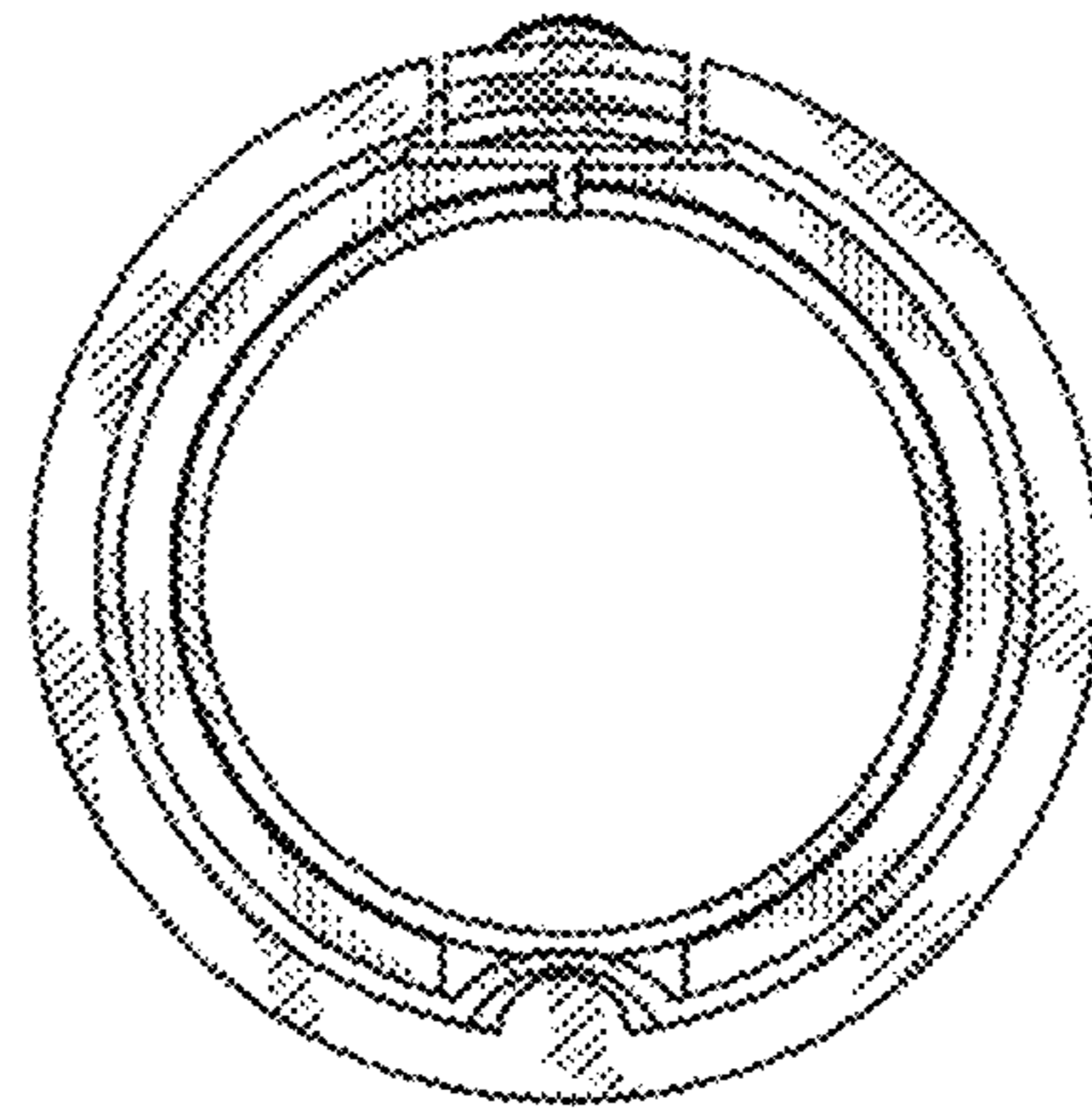


FIG. 2

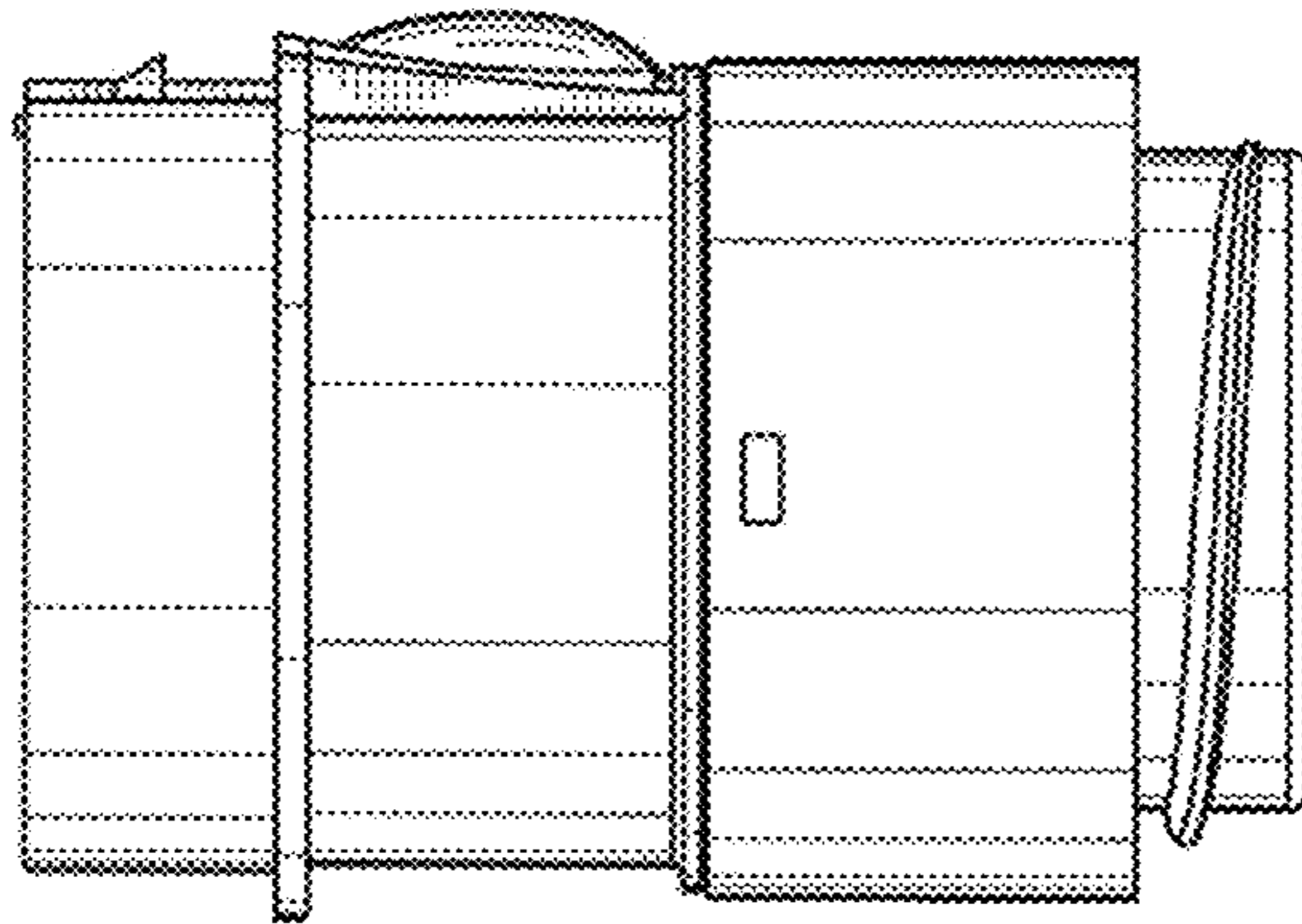


FIG. 3

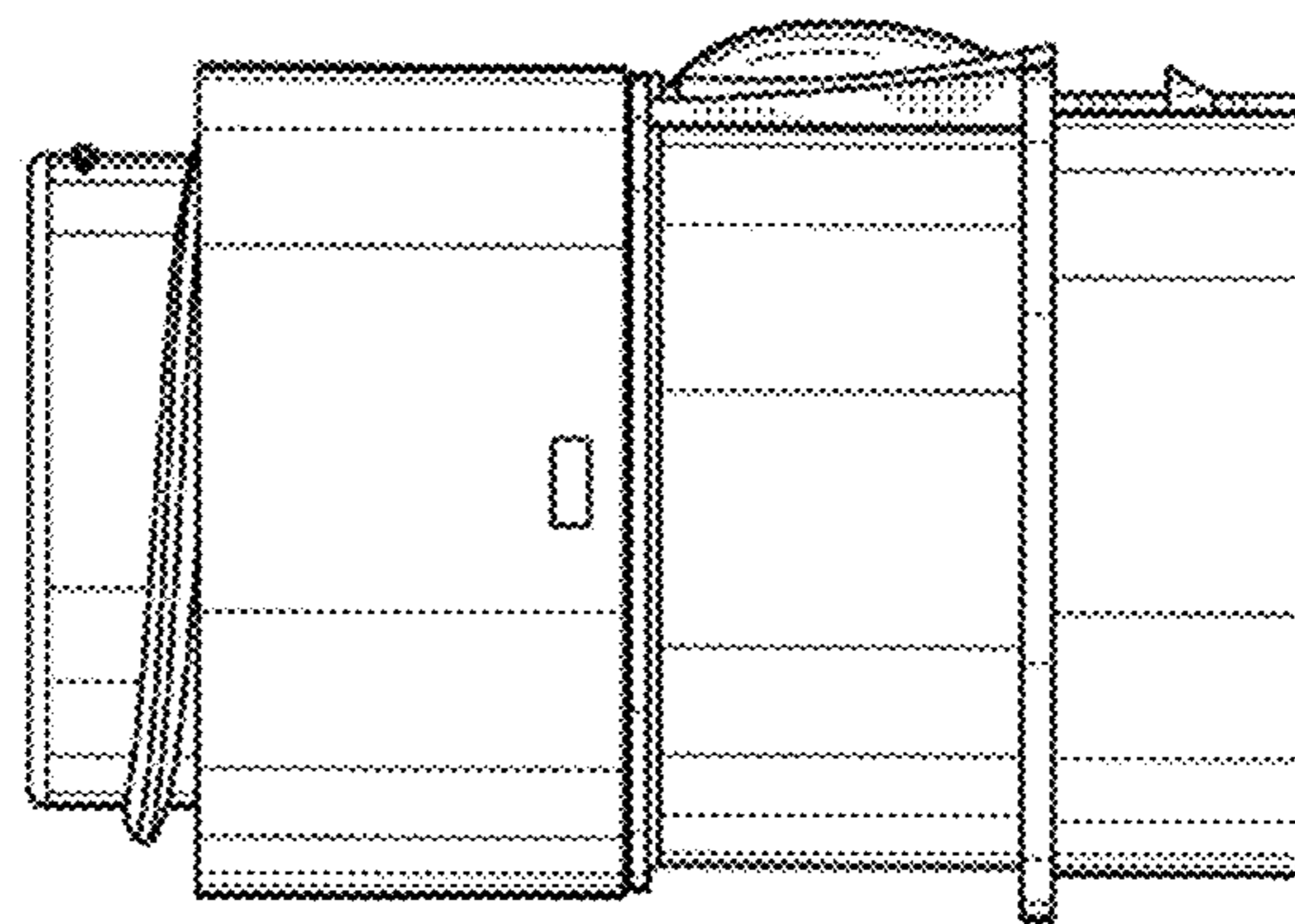


FIG. 4

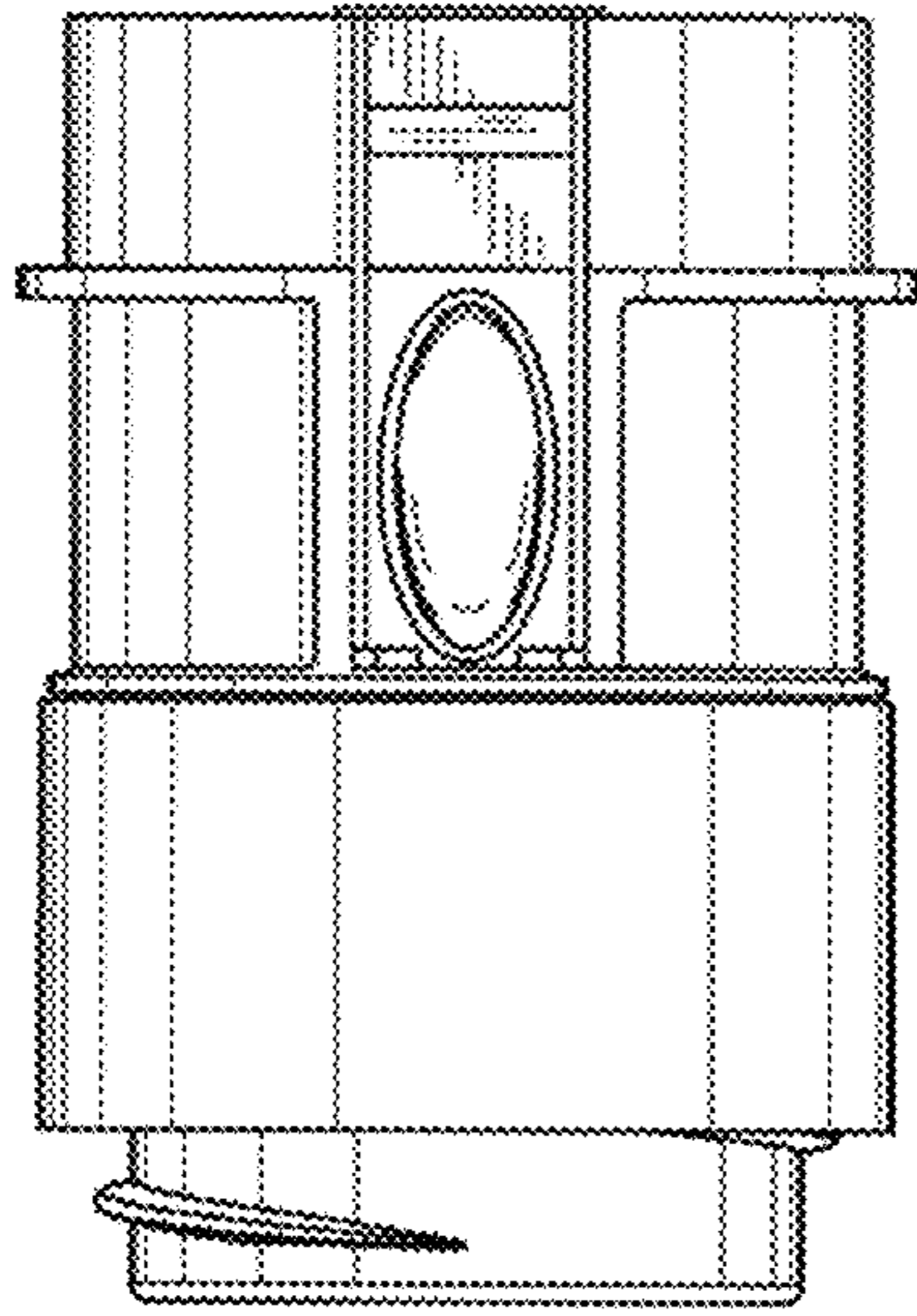


FIG. 5

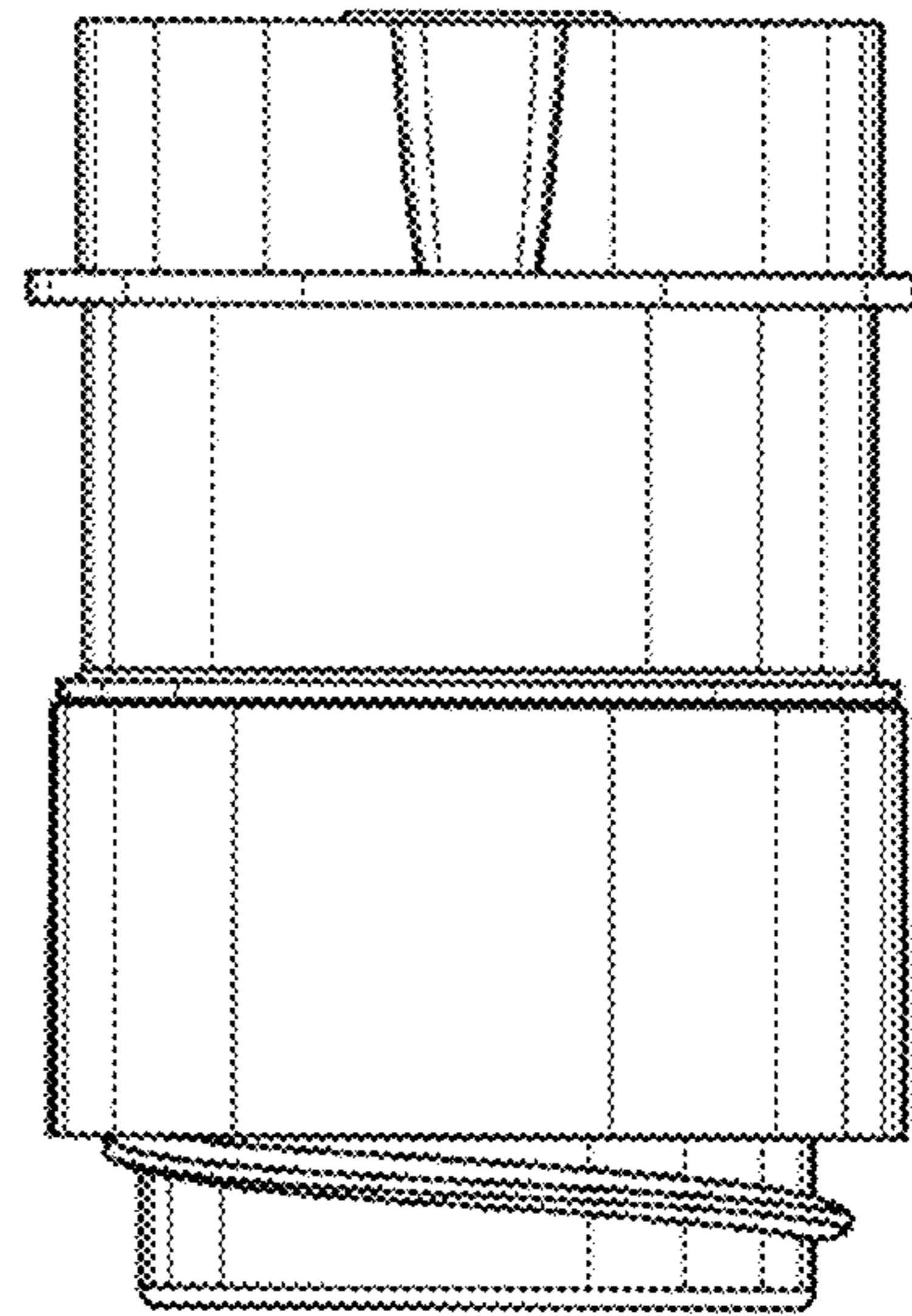


FIG. 6

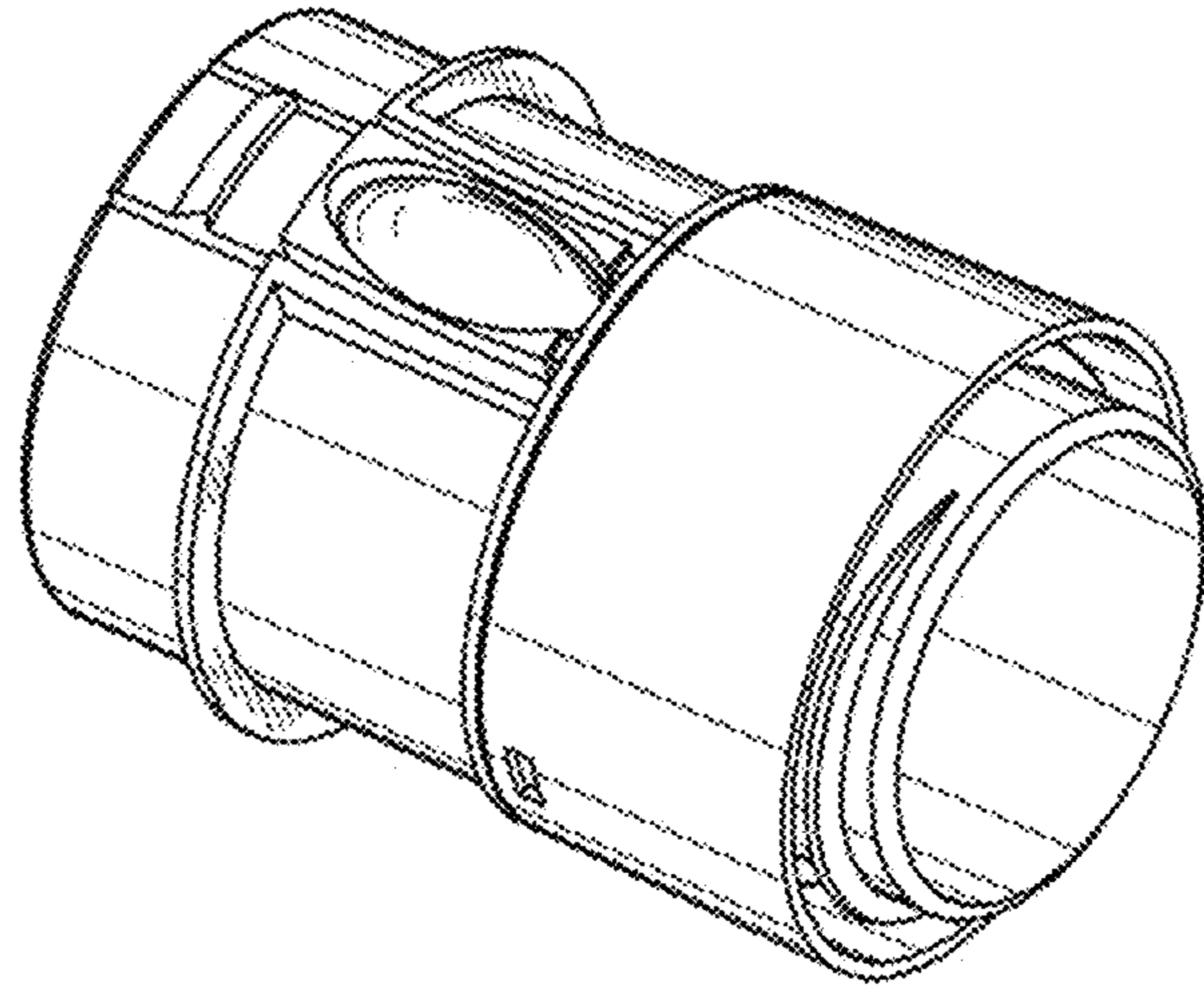


FIG. 7

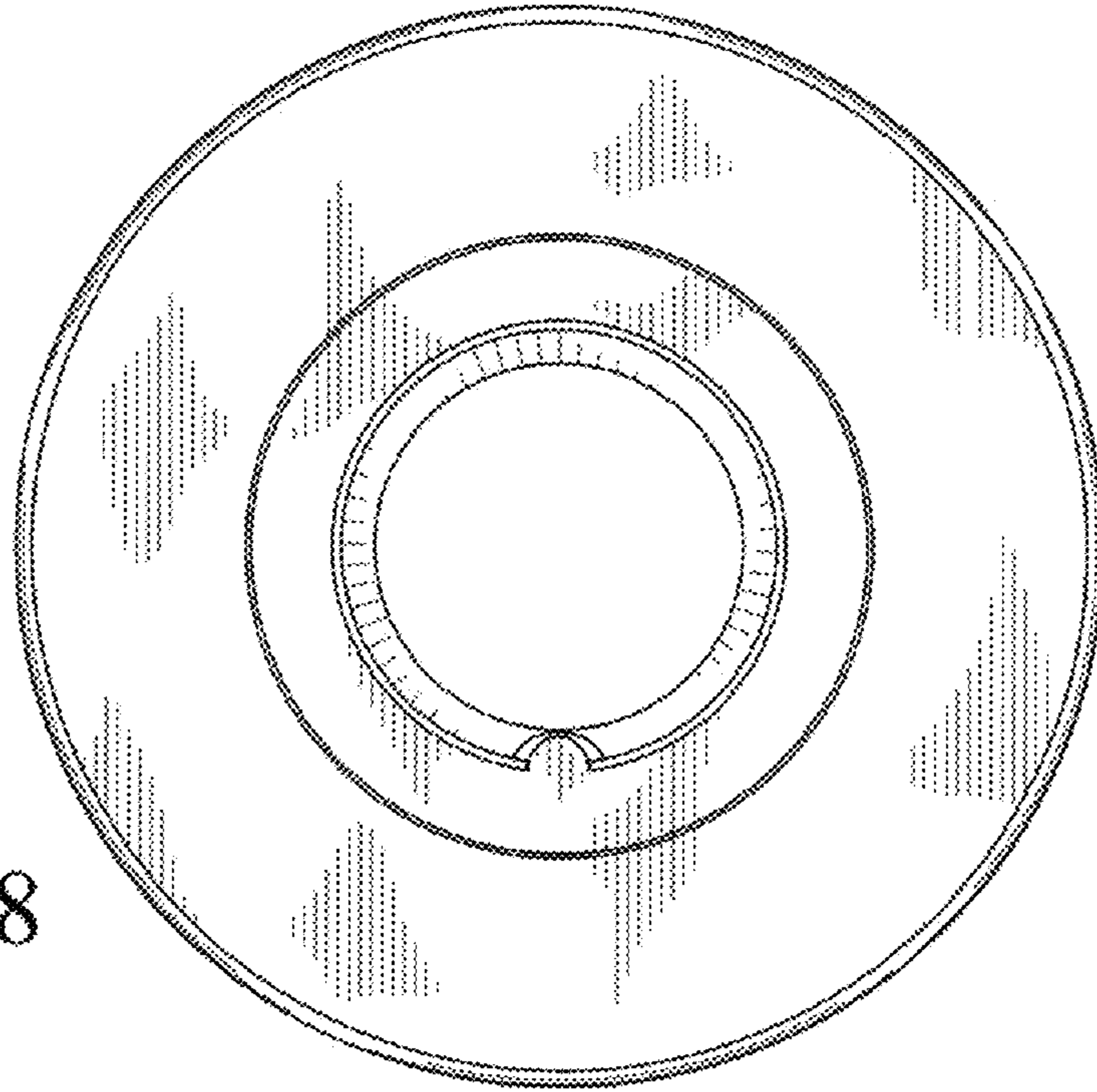


FIG. 8

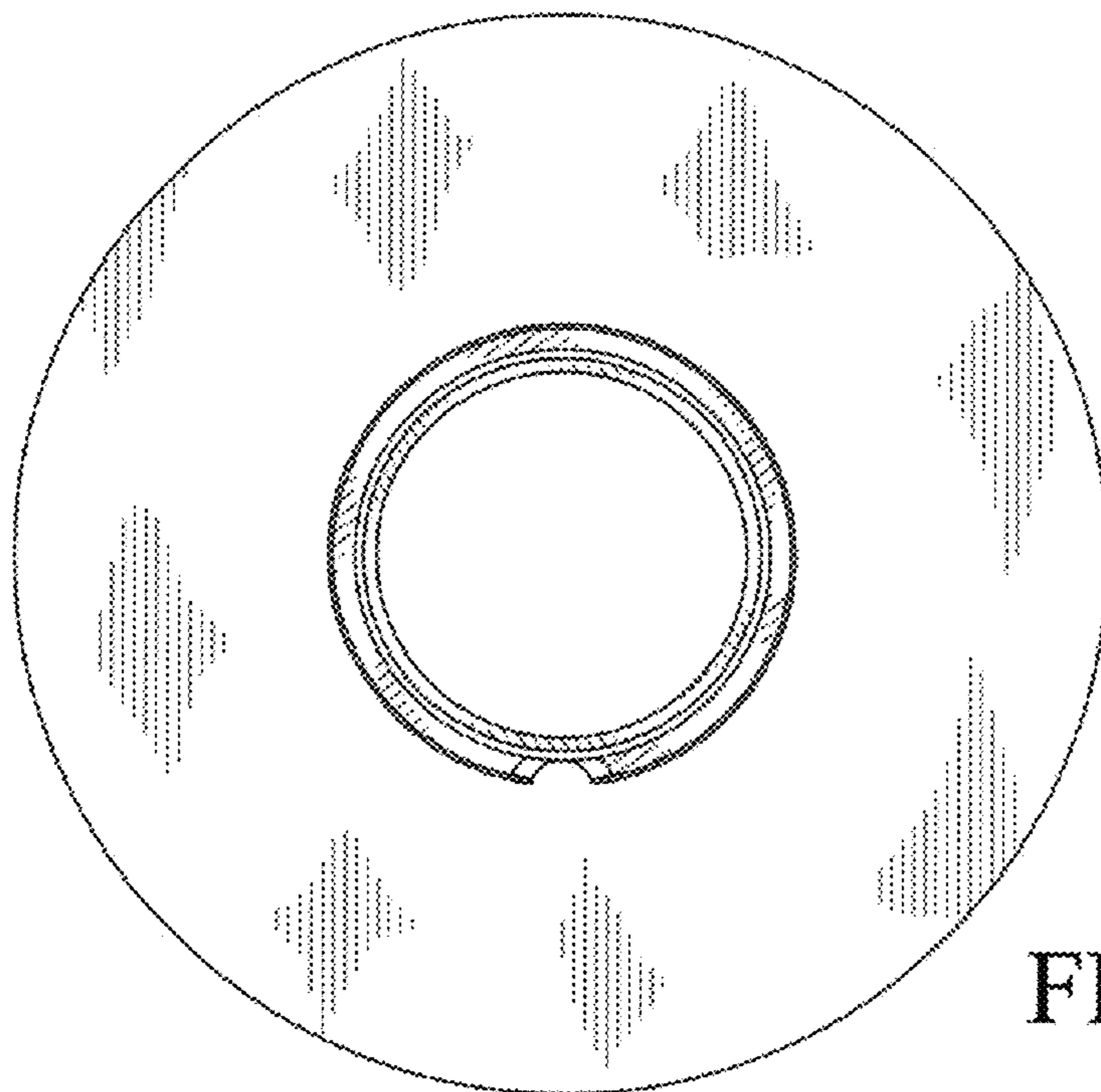


FIG. 9

FIG. 10

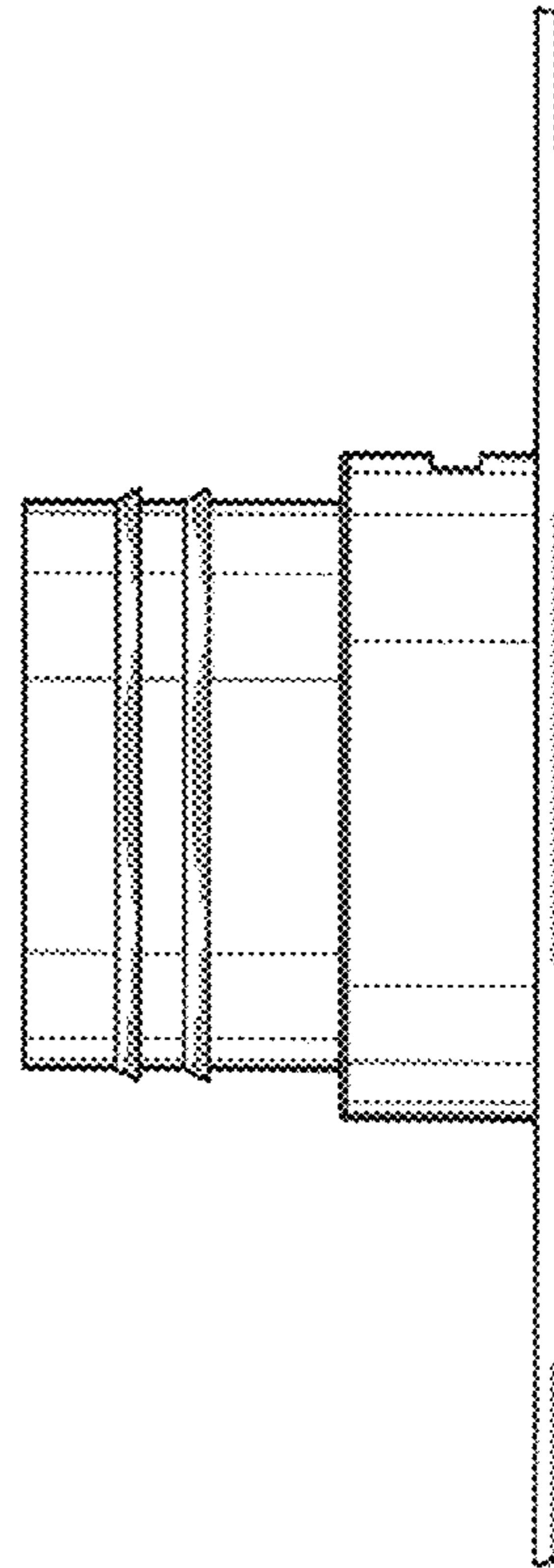
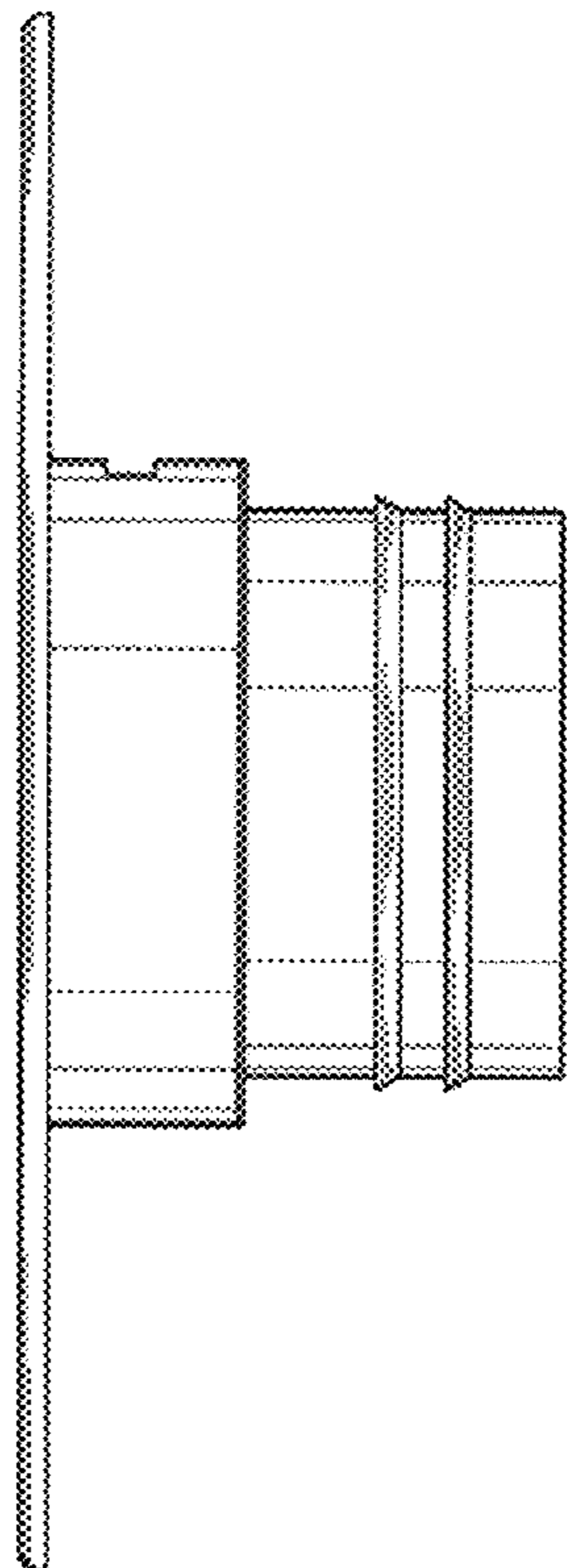


FIG. 11



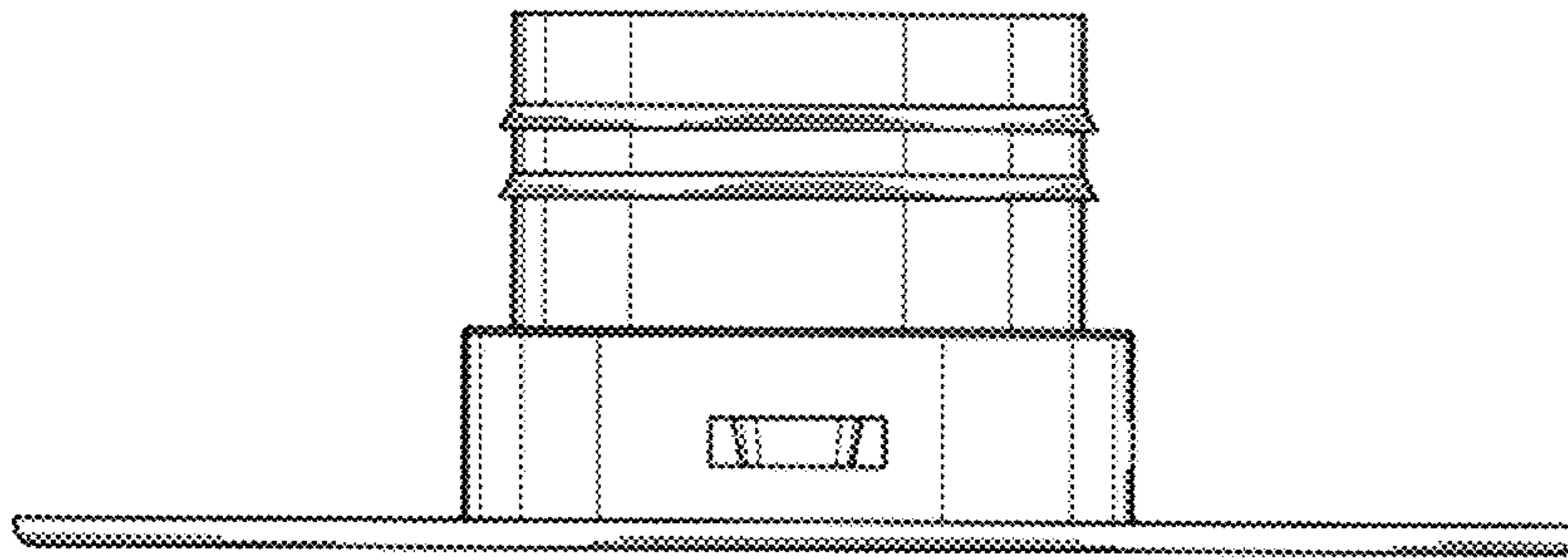


FIG. 12

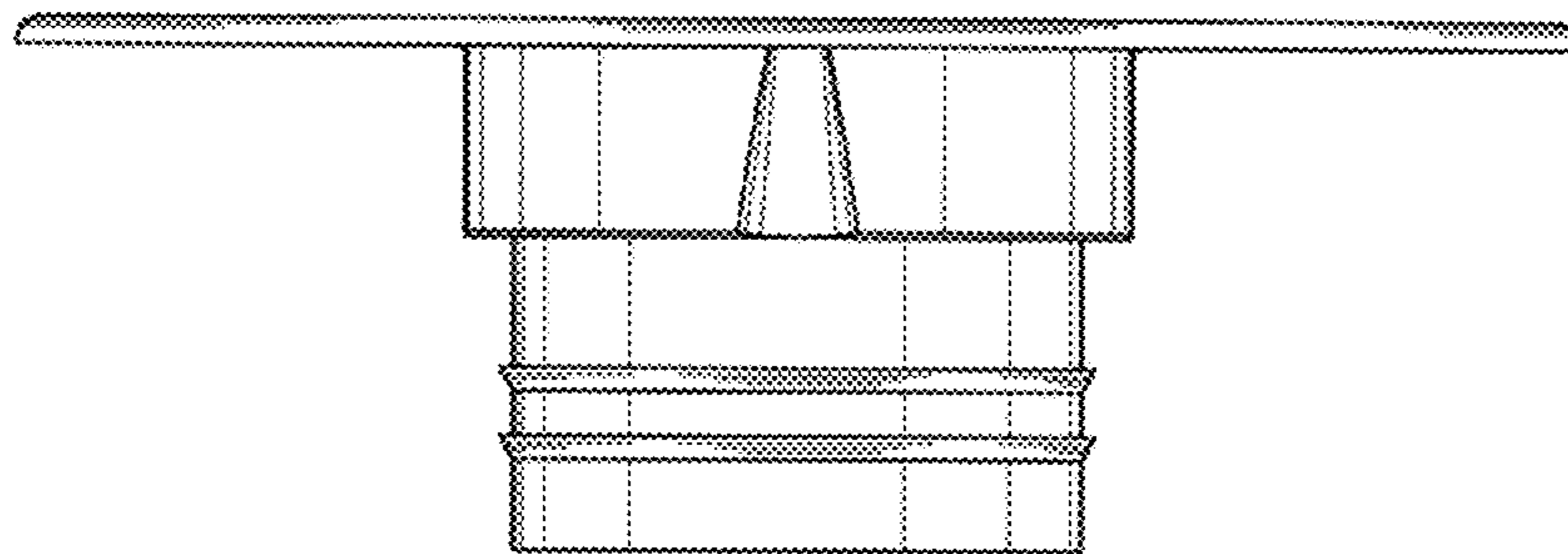


FIG. 13

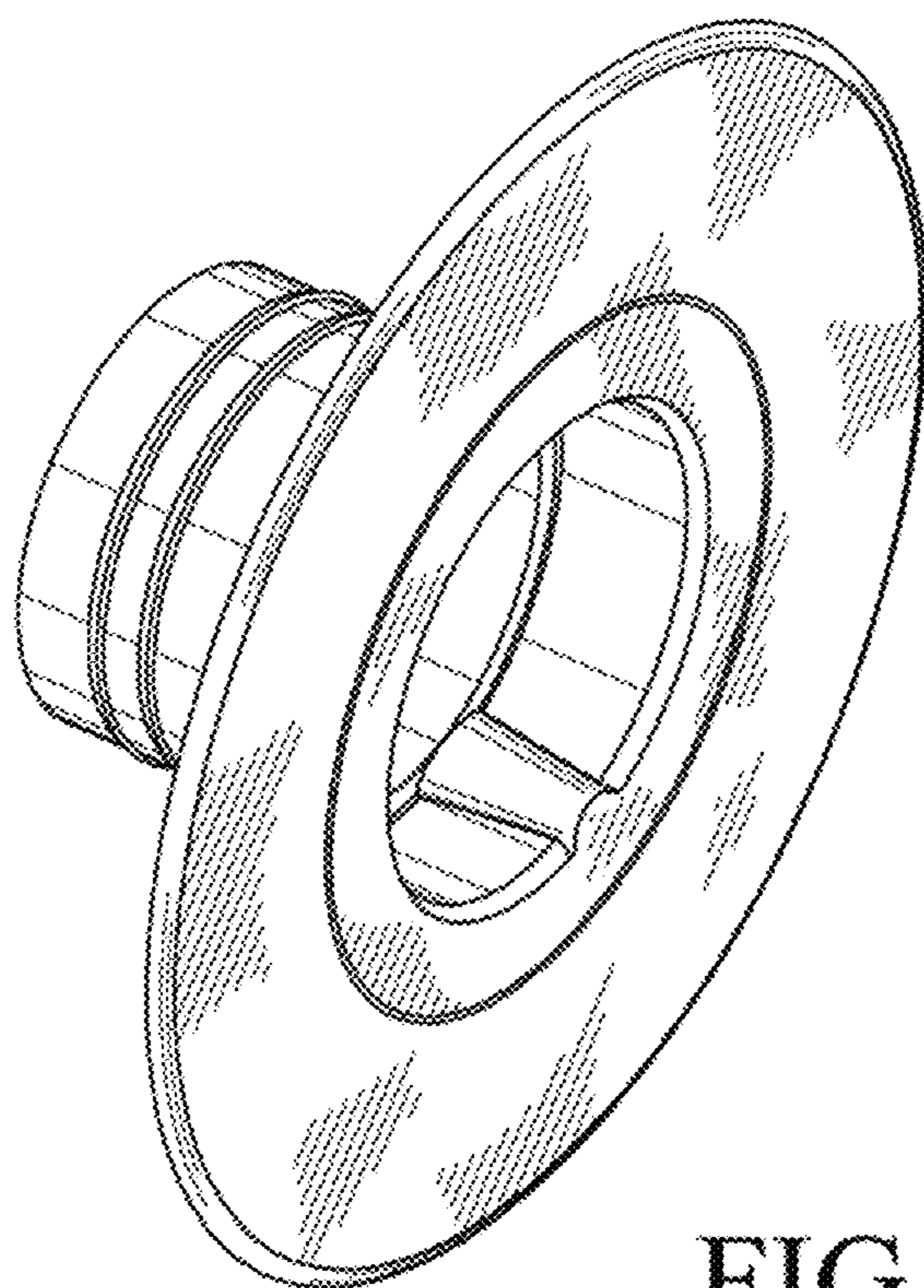


FIG. 14

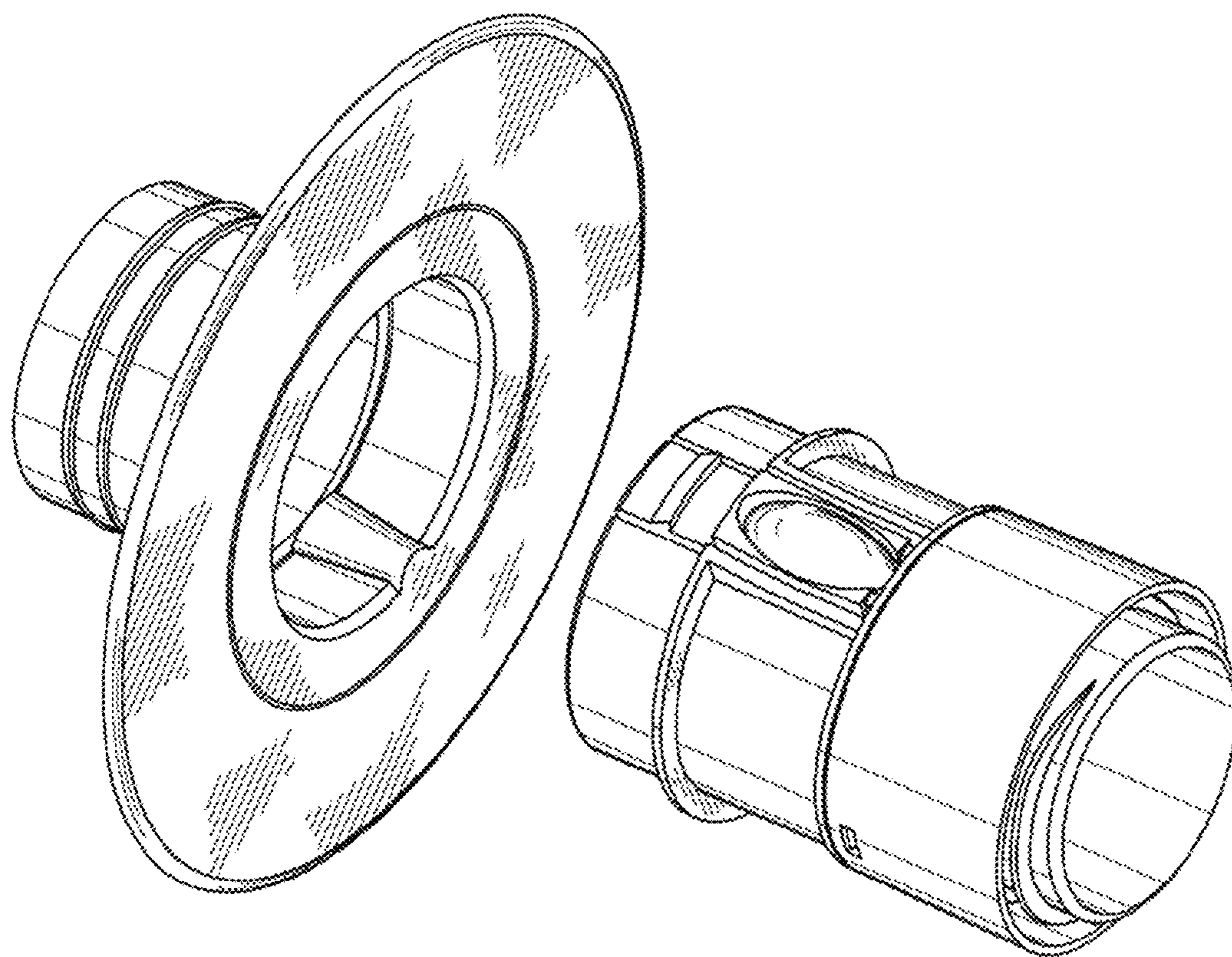


FIG. 15

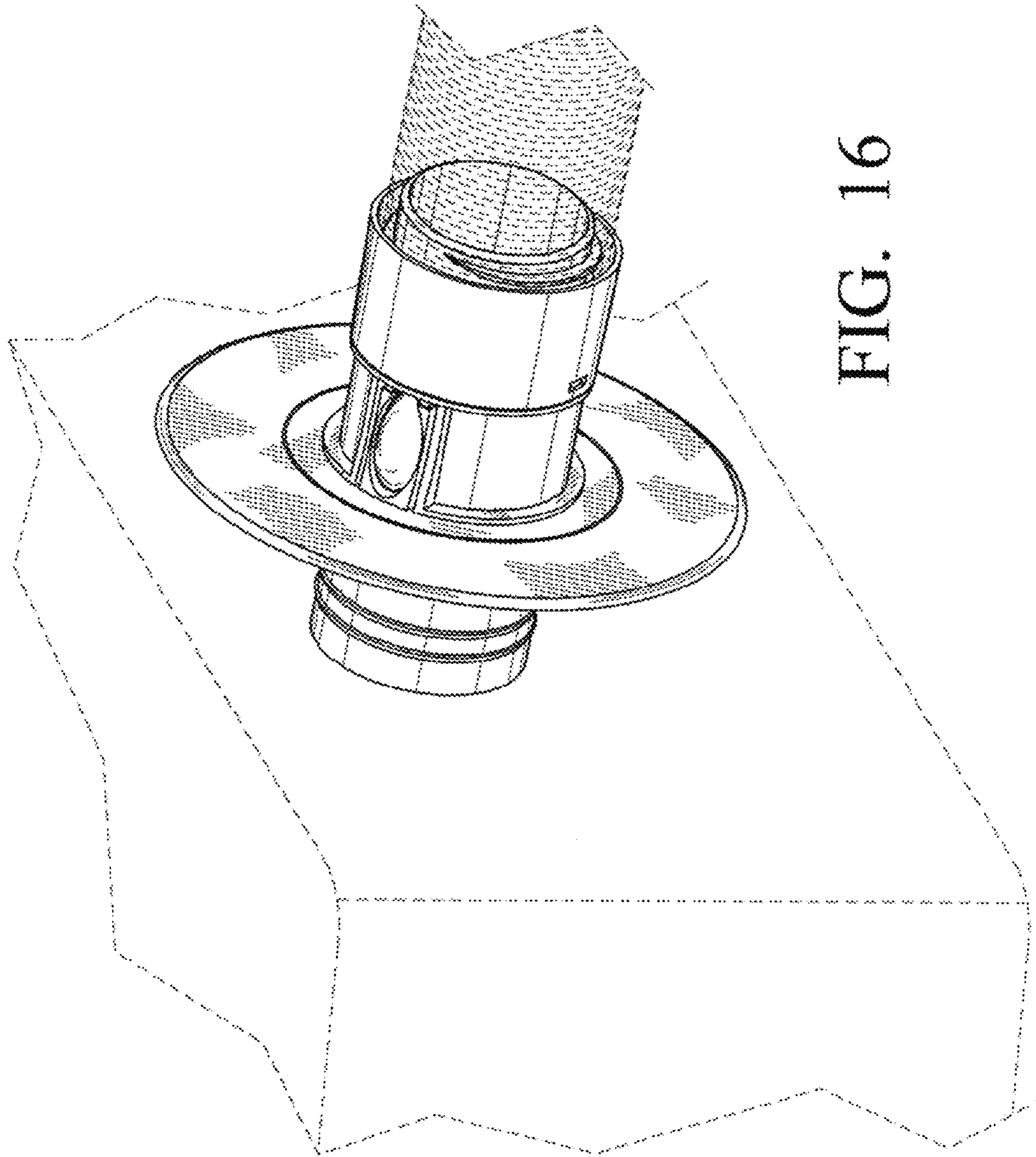


FIG. 16