



US00D770265S

(12) **United States Design Patent** (10) **Patent No.:** **US D770,265 S**
Forrest et al. (45) **Date of Patent:** **** Nov. 1, 2016**

- (54) **POLYMER COMPOSITE PULLEY**
- (71) Applicant: **DEERE & COMPANY**, Moline, IL (US)
- (72) Inventors: **Bryan S Forrest**, Bettendorf, IA (US); **Benjamin J Jordan**, Davenport, IA (US); **Jeffrey Alan Harding**, Newburg, IN (US); **David Mark Lange**, Monroe, MI (US)
- (73) Assignee: **DEERE & COMPANY**, Moline, IL (US)
- (**) Term: **15 Years**
- (21) Appl. No.: **29/546,979**
- (22) Filed: **Nov. 30, 2015**
- (51) **LOC (10) Cl.** **08-05**
- (52) **U.S. Cl.**
USPC **D8/367; D25/133**
- (58) **Field of Classification Search**
USPC D8/354, 349, 356, 367, 1, 360; D34/35; D6/358, 309; D25/131, 133; 182/2, 3
CPC F16B 45/02; F16B 47/00; B66C 1/125; B66C 1/36; A62B 35/0037; A62B 35/04; A62B 35/0068
See application file for complete search history.

5,931,755 A	8/1999	Mailey et al.	
D623,504 S *	9/2010	Huang	D8/360
D664,834 S *	8/2012	Handa	D8/360
8,308,591 B2	11/2012	Hamada et al.	
D757,525 S *	5/2016	Glasband	D8/360
2014/0121050 A1	5/2014	Dutil et al.	

FOREIGN PATENT DOCUMENTS

DE 102012219513 A1 4/2014
* cited by examiner

Primary Examiner — Cynthia Underwood

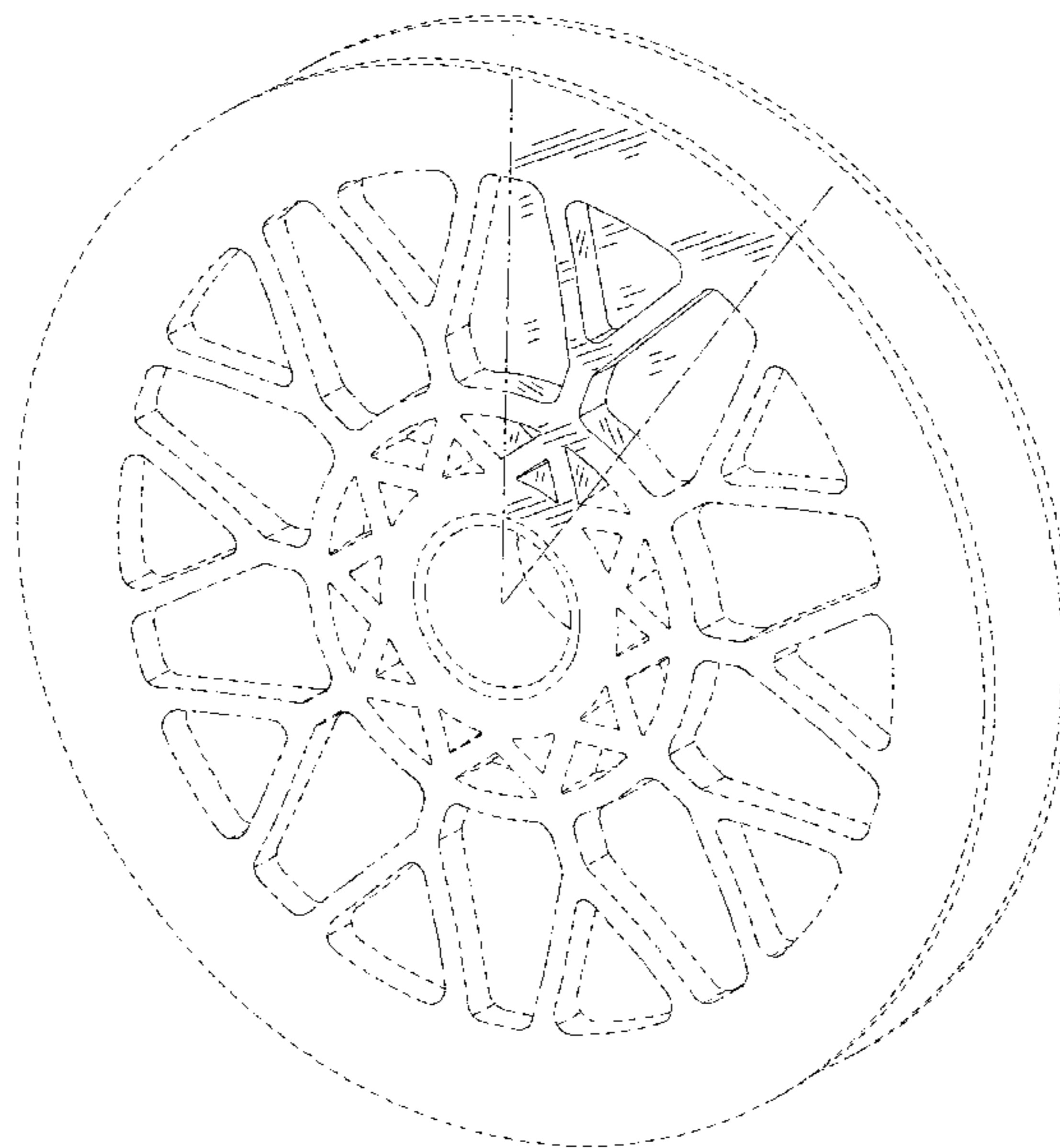
(57) **CLAIM**
The ornamental design for a polymer composite pulley, as shown and described.

DESCRIPTION

FIG. 1 is a side and top perspective view of a polymer composite pulley showing our new design;
 FIG. 2 is a front elevation view thereof.
 FIG. 3 is a side and top perspective view of a polymer composite pulley showing an alternative embodiment of our new design;
 FIG. 4 is a front elevation view thereof.
 FIG. 5 is a side and top perspective view of a polymer composite pulley showing an alternative embodiment of our new design;
 FIG. 6 is a front elevation view thereof;
 FIG. 7 is a side elevation view thereof.
 FIG. 8 is a side and top perspective view of a polymer composite pulley showing an alternative embodiment of our new design; and,
 FIG. 9 is a front elevation view thereof.
 The broken line representation of environmental structure is for illustrative purposes only and forms no part of the claim.
 The boundary lines represent the boundary of the claim.

1 Claim, 9 Drawing Sheets

- (56) **References Cited**
U.S. PATENT DOCUMENTS
3,069,919 A * 12/1962 Schultz, Jr. F16H 55/44 474/169
D245,669 S * 9/1977 Woods D8/360
D252,750 S * 8/1979 Painter D14/260
D252,751 S * 8/1979 Painter D14/260
D268,092 S * 3/1983 Kanemitsu D8/360



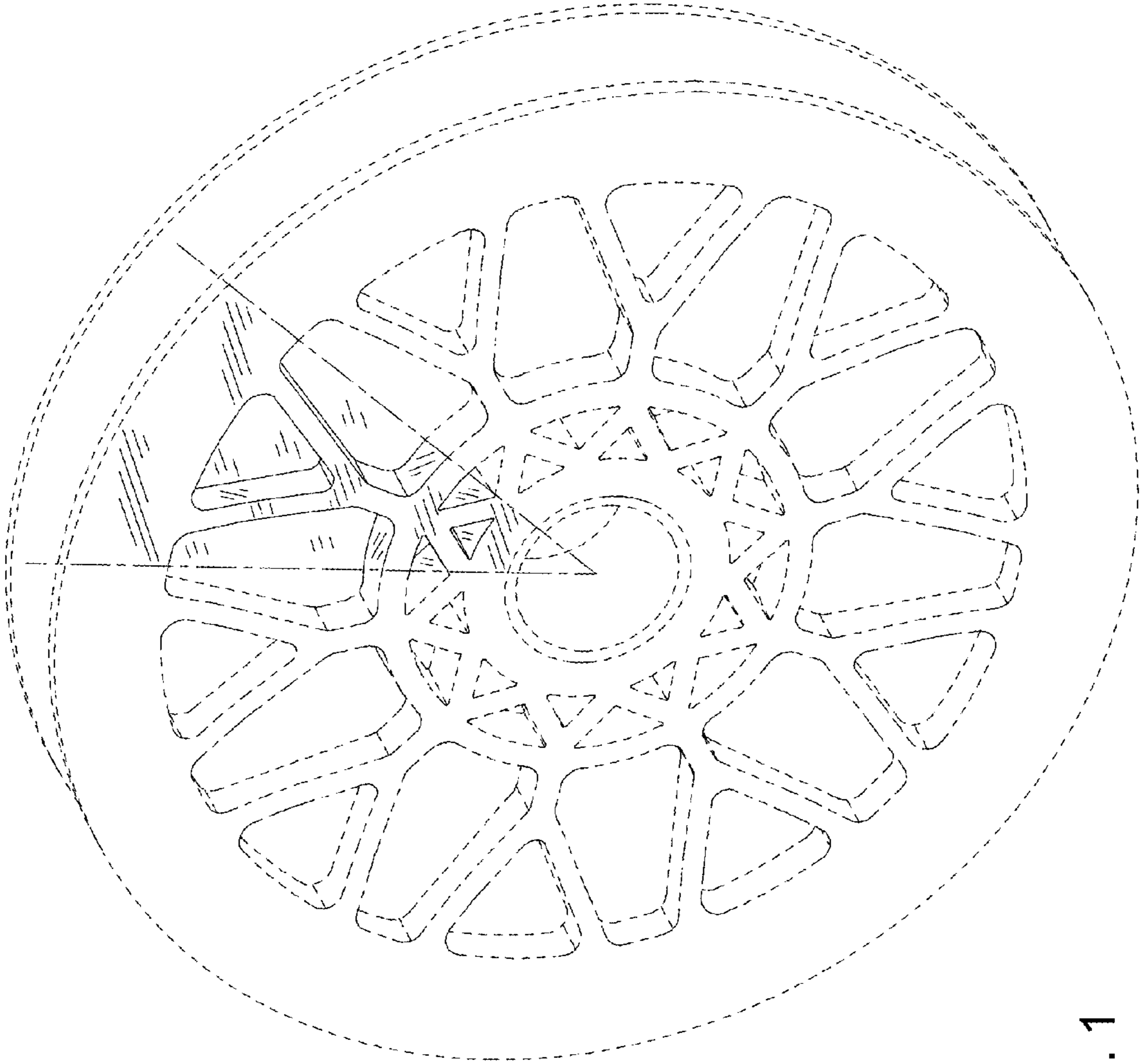


FIG. 1

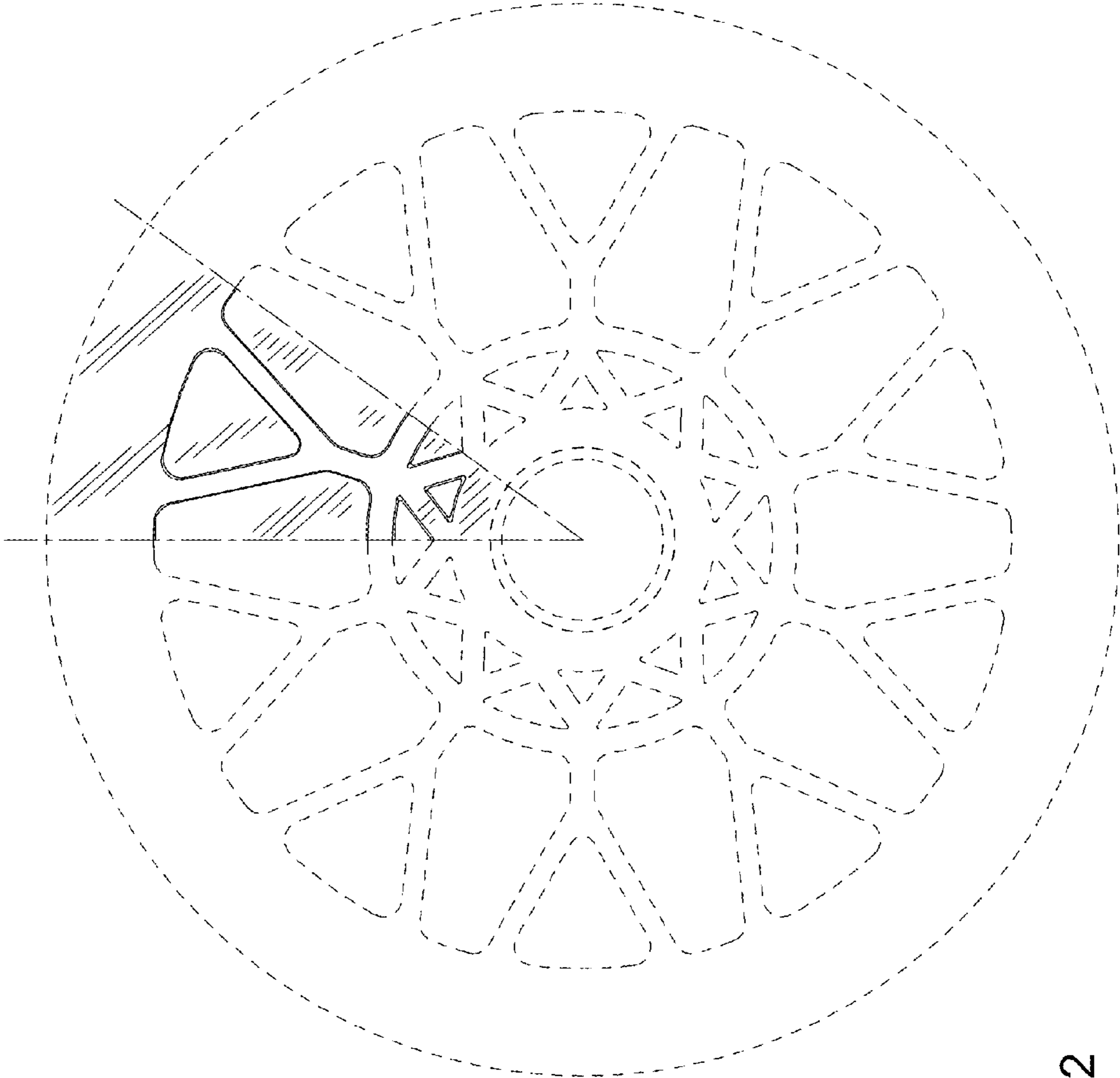


FIG. 2

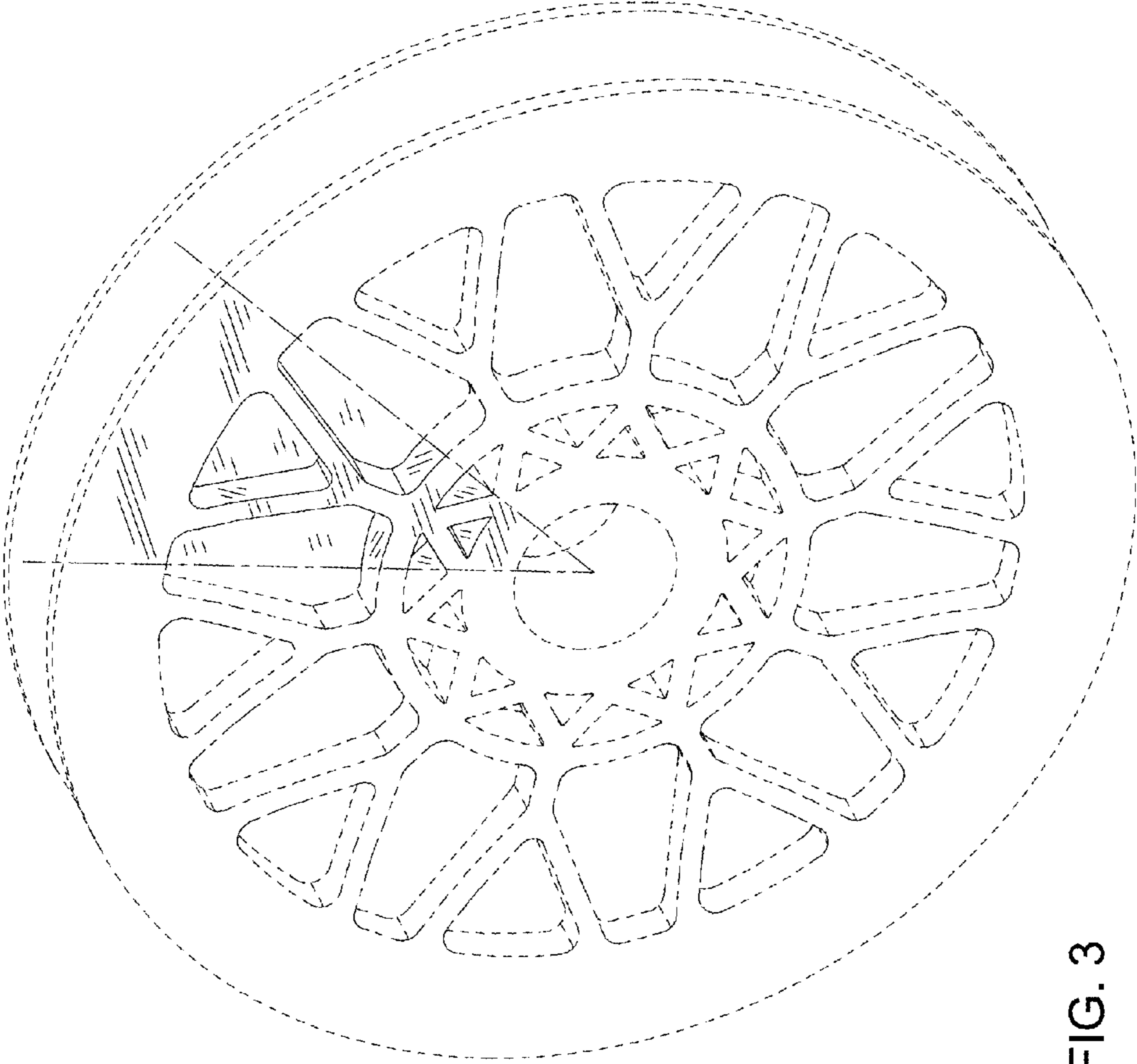


FIG. 3

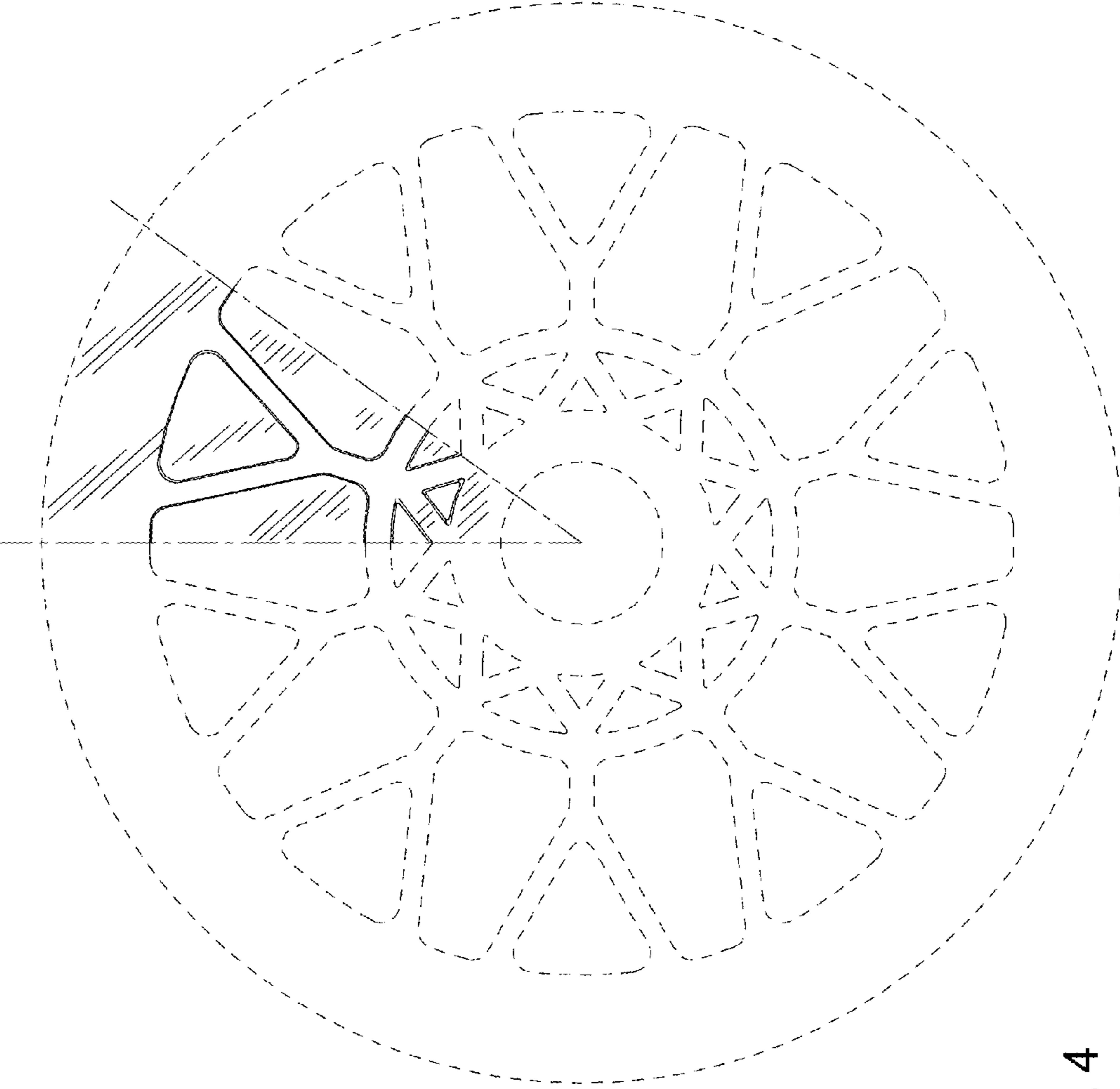


FIG. 4

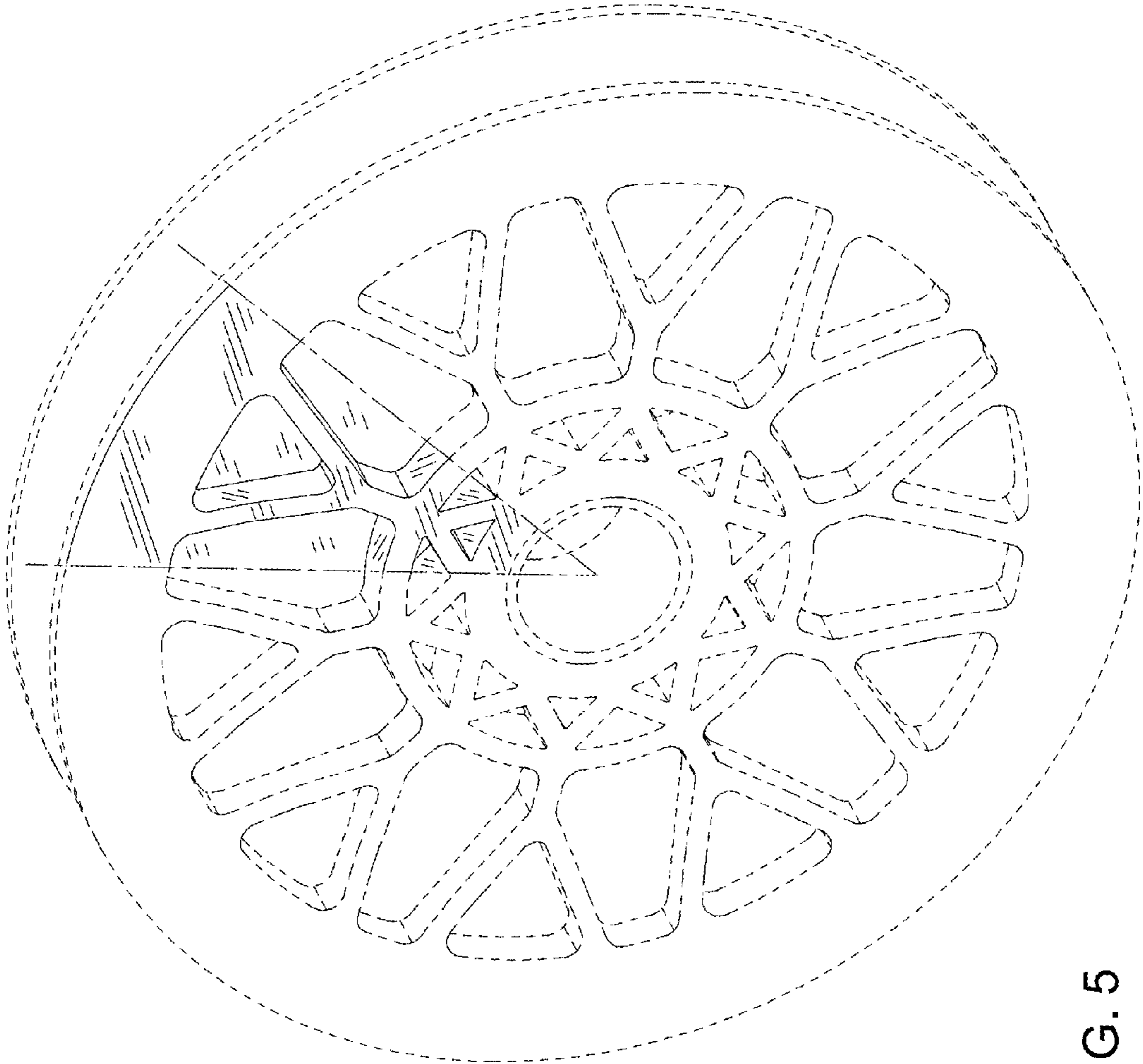


FIG. 5

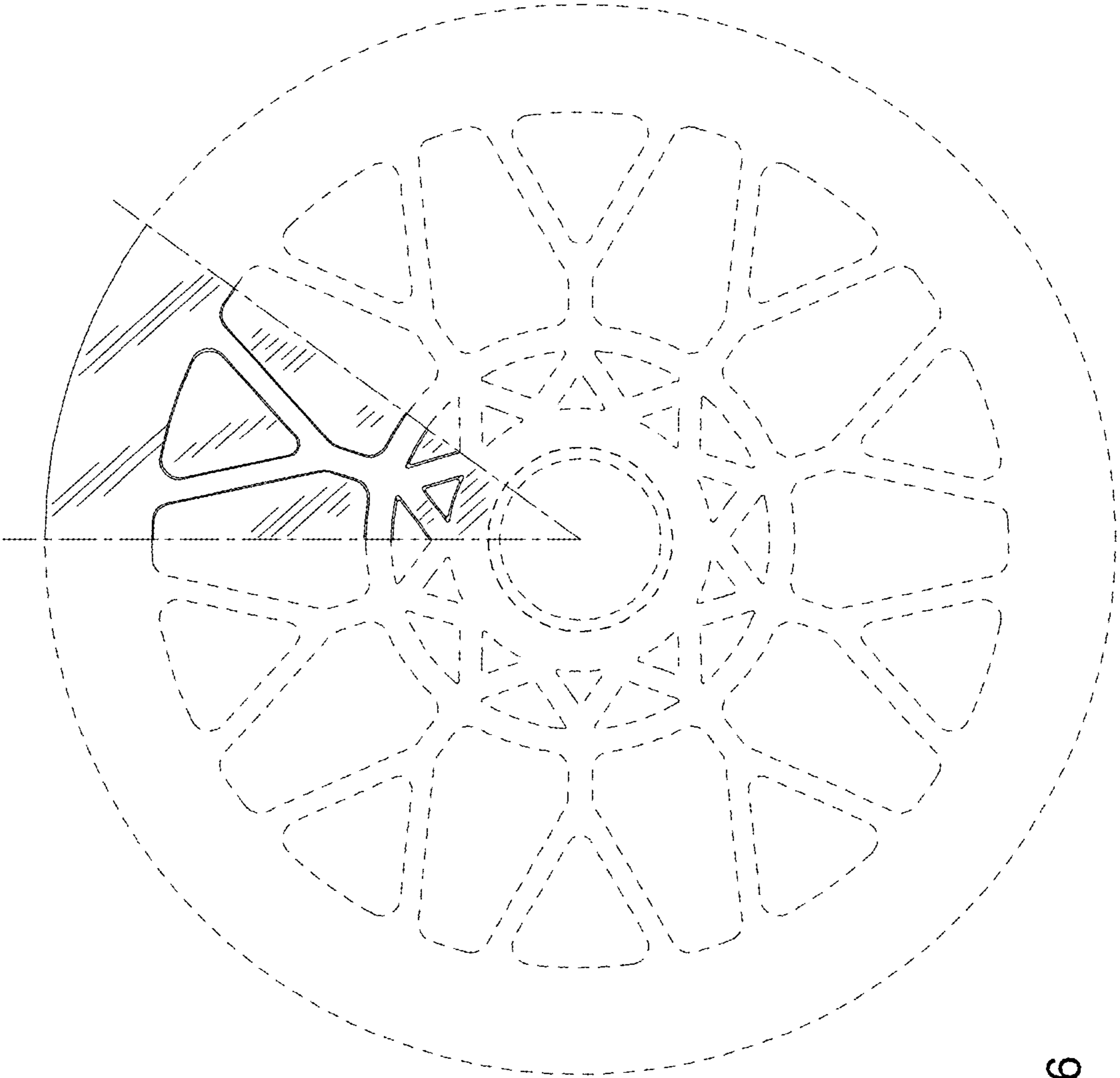


FIG. 6



FIG. 7

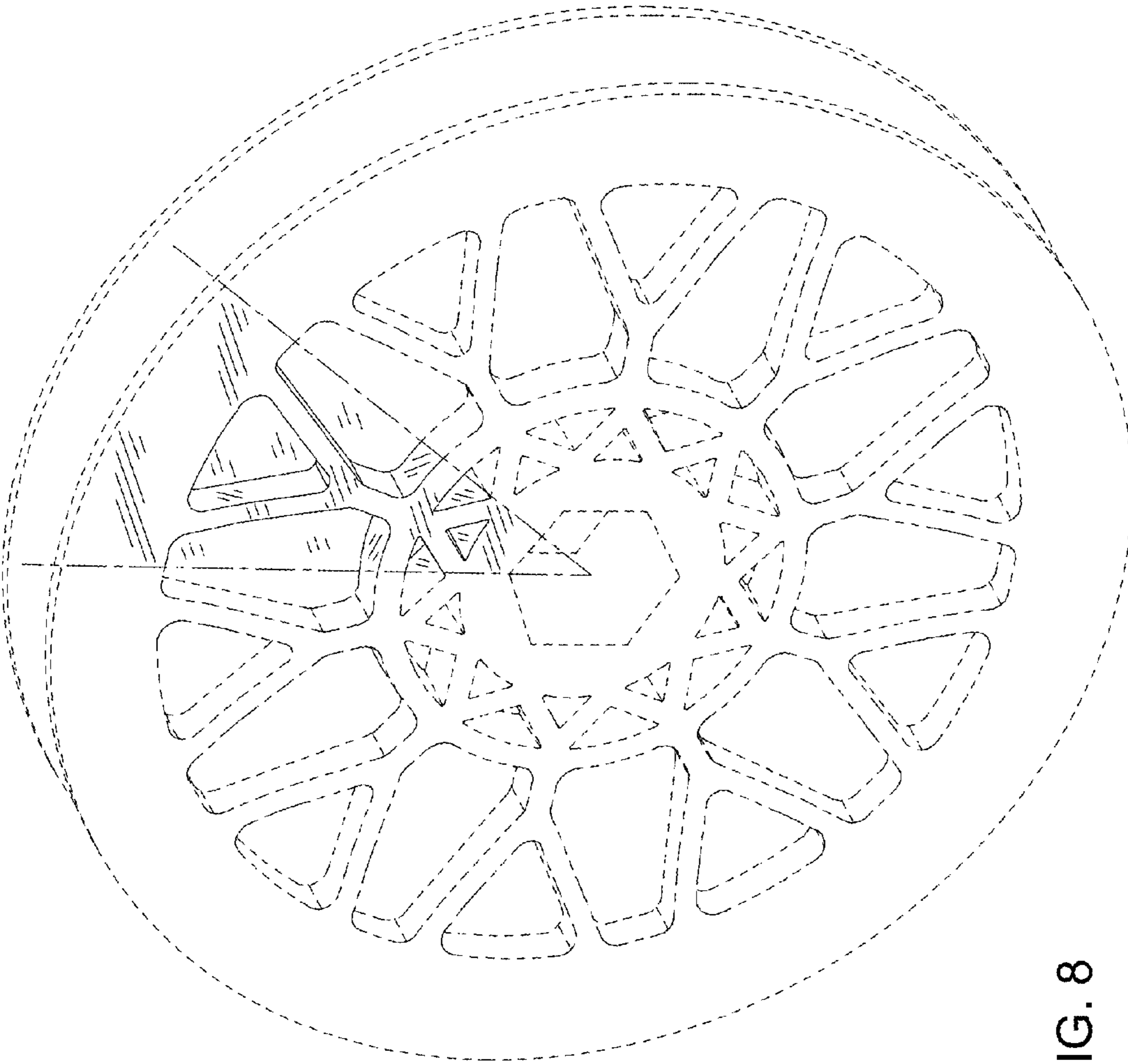


FIG. 8

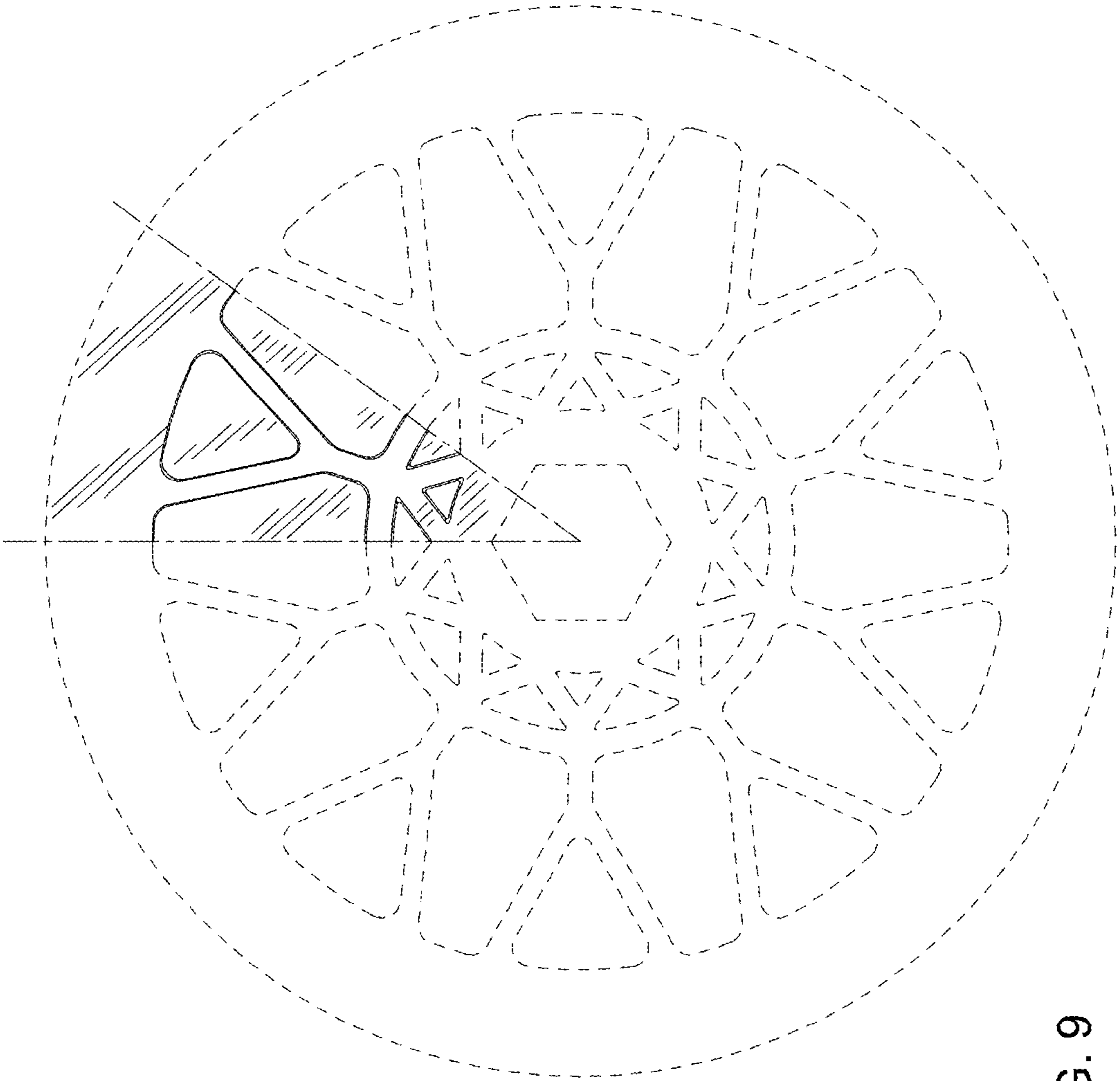


FIG. 9