



US00D770264S

(12) **United States Design Patent** (10) **Patent No.:** **US D770,264 S**
Kondratuk (45) **Date of Patent:** **** Nov. 1, 2016**

- (54) **SHAPED SPINDLE OF A DOOR HANDLE FOR OPERATING A DOOR LOCK BOX** 3,335,958 A * 8/1967 Wallace A01G 25/092 239/242
- (71) Applicant: **Larson Manufacturing Company of South Dakota, Brookings, SD (US)** 3,954,292 A 5/1976 Johnson
- (72) Inventor: **Michael Kondratuk, Brookings, SD (US)** 4,667,994 A 5/1987 Foshee
- (73) Assignee: **Larson Manufacturing Company of South Dakota, Inc., Brookings, SD (US)** 4,749,072 A 6/1988 Lichty et al.
- (**) Term: **15 Years** 4,798,352 A 1/1989 Naso et al.
- (21) Appl. No.: **29/533,357** 5,445,423 A 8/1995 Mader
- (22) Filed: **Jul. 16, 2015** 5,529,354 A 6/1996 Studt et al.
- Related U.S. Application Data** 5,562,317 A 10/1996 Kuo et al.
- (60) Division of application No. 29/487,263, filed on Apr. 7, 2014, now Pat. No. Des. 734,652, which is a continuation-in-part of application No. 29/432,653, filed on Sep. 18, 2012, now Pat. No. Des. 706,112. 5,620,211 A 4/1997 Ellis
- (51) **LOC (10) Cl.** **08-07** 5,658,026 A 8/1997 Nigro et al.
- (52) **U.S. Cl.** **D8/343** 6,039,452 A 3/2000 Imura
- (58) **Field of Classification Search** D429,612 S 8/2000 Hames
- USPC **D8/330, 343, 349, 354, 339, 400, 404, D8/383, 499, DIG. 2, 222, 216, 472, 422, D8/207; 70/51, 141, 212, 224, 229, 33 R, 70/431, 452, 320, 329, 181, DIG. 3, 70/DIG. 4, DIG. 31; 292/336.5, 137, 358, 292/359** 6,179,352 B1 * 1/2001 Schneeberger E05B 13/005 292/336.3
- CPC .. E05B 55/05; E05B 2001/0076; E05B 1/12; E05B 1/16; E05B 1/163; E05C 1/00; E05C 1/002; E05C 1/08
- See application file for complete search history. 6,302,453 B1 10/2001 Norton
- (56) **References Cited** 6,322,113 B1 * 11/2001 Ayers E05B 63/16 292/223
- U.S. PATENT DOCUMENTS**
- 1,472,481 A * 10/1923 Lockwood E05B 63/16 292/358
- 2,520,669 A 8/1950 Wicks

(Continued)

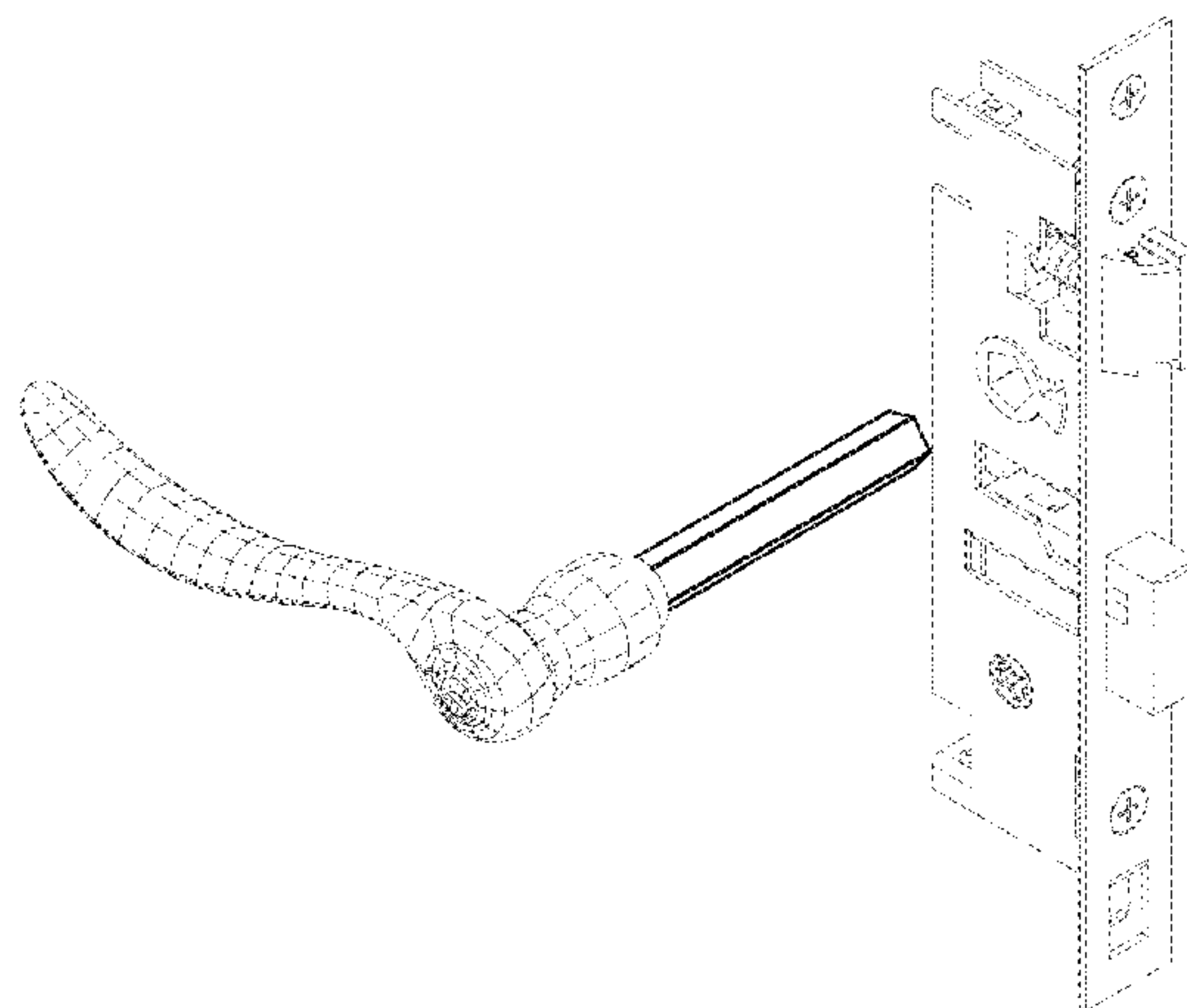
Primary Examiner — Prabhakar Deshmukh
(74) *Attorney, Agent, or Firm* — Kagan Binder, PLLC

(57) **CLAIM**
The ornamental design for shaped spindle of a door handle for operating a door lock box, as shown and described.

DESCRIPTION

FIG. 1 is a perspective view of a shaped spindle of a door handle for operating a door lock box showing my new design;
FIG. 2 is an opposite perspective view of the spindle of FIG. 1;
FIG. 3 is a top plan view thereof;
FIG. 4 is a left side elevation view thereof;
FIG. 5 is a right side elevation view thereof; and,
FIG. 6 is a front elevation view thereof.
The broken lines illustrate the unclaimed portions of the design and form no part of a claimed design. The spindle and lock box as collectively illustrated within FIG. 1, are shown separately for clarity of illustration.

1 Claim, 3 Drawing Sheets



(56)

References Cited

U.S. PATENT DOCUMENTS

D464,249 S	10/2002	Laabs et al.		7,172,226 B2	2/2007	Walls et al.	
6,546,765 B1 *	4/2003	Linares	E05B 13/108	7,354,081 B2	4/2008	Kondratuk	
			16/412	7,604,266 B2	10/2009	Ellis	
6,868,703 B2 *	3/2005	Molzer	E05B 13/106	7,871,112 B2	1/2011	Kondratuk et al.	
			292/336.3	8,011,217 B2 *	9/2011	Marschalek	E05B 47/0011
6,997,024 B2	2/2006	Etlicher					70/149
7,134,699 B1 *	11/2006	Kondratuk	E05B 13/004	8,234,892 B2	8/2012	Laverty et al.	
			292/226	8,256,806 B2	9/2012	Timothy	
7,152,442 B2	12/2006	Char et al.		8,424,935 B2	4/2013	Moon	
				8,539,801 B2	9/2013	Calleberg	
				8,739,854 B2	6/2014	Mullet et al.	
				8,864,186 B2	10/2014	Kondratuk	

* cited by examiner

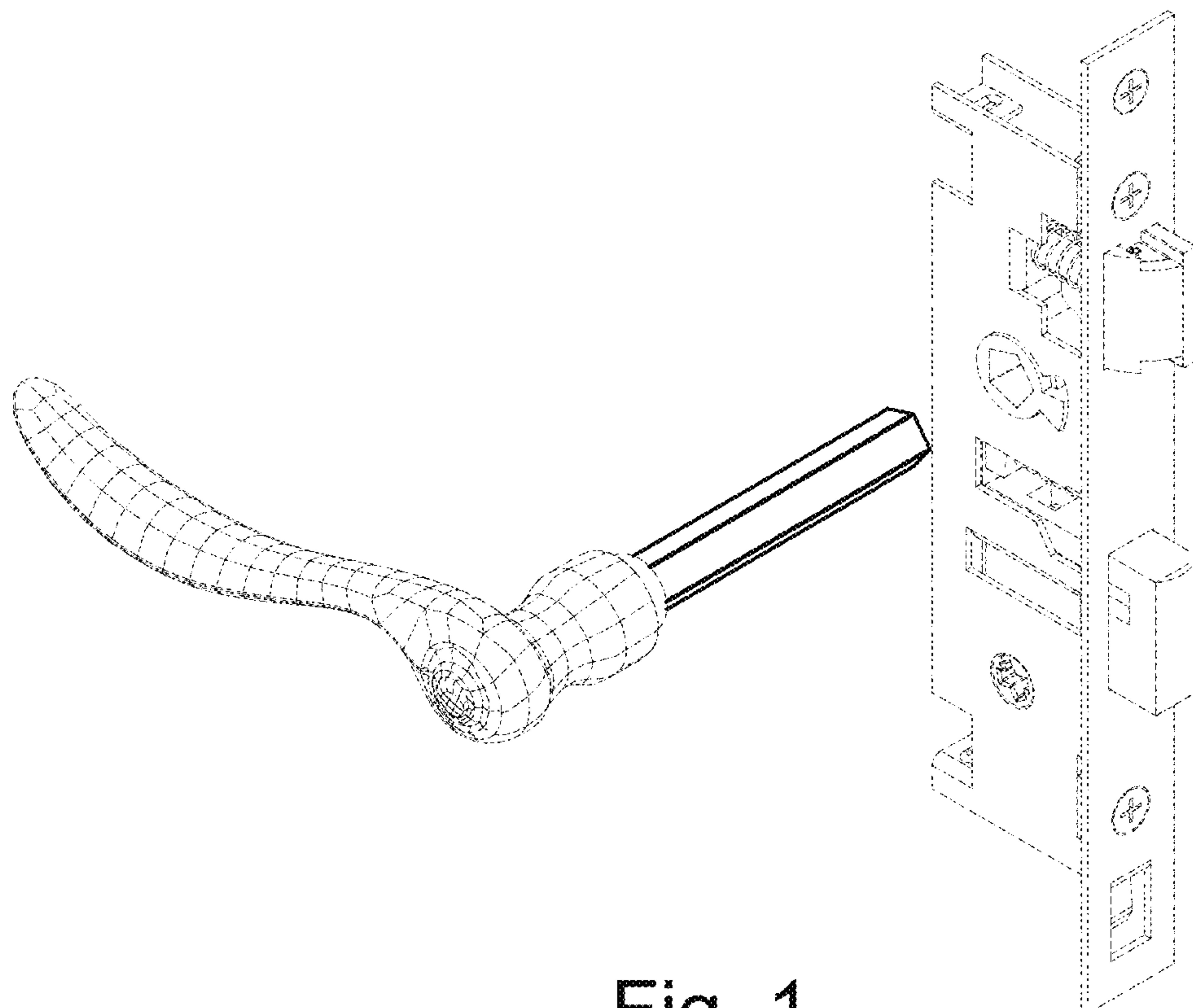


Fig. 1

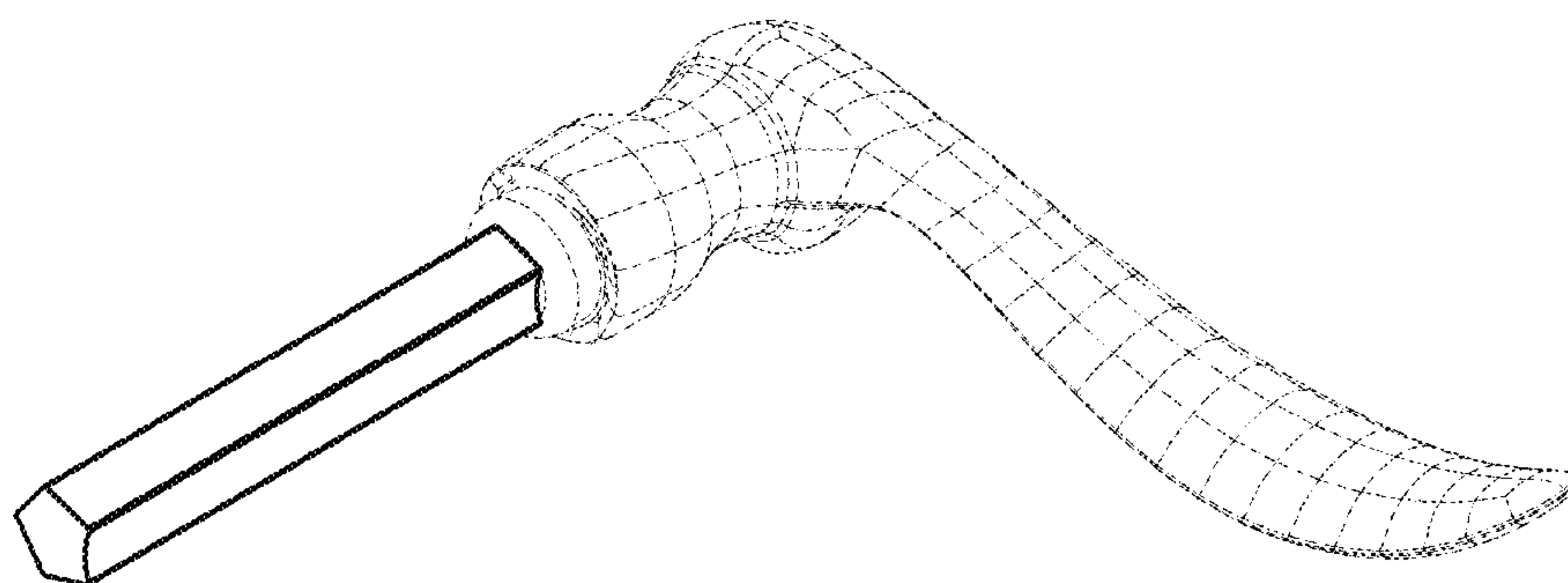


Fig. 2

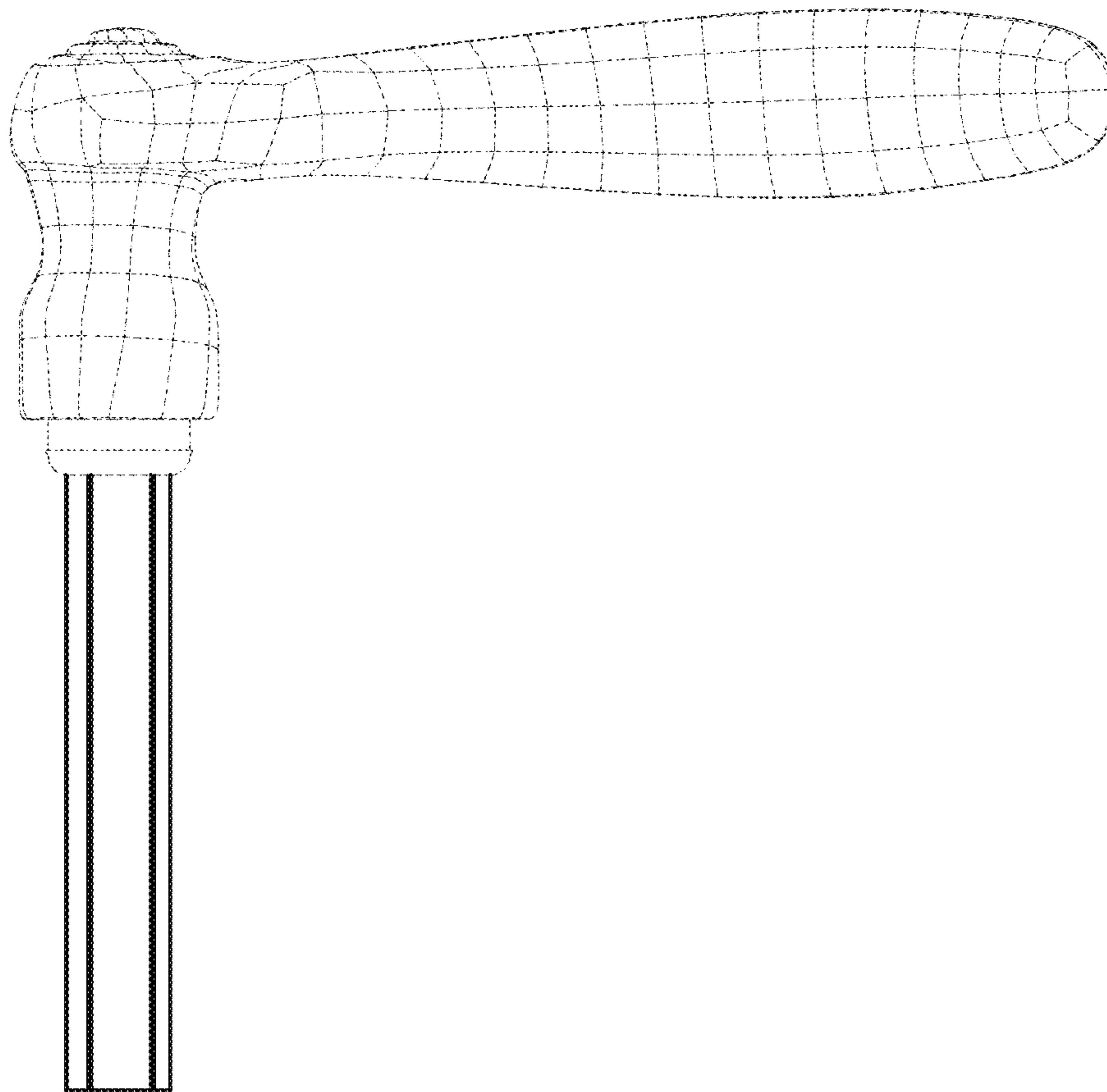


Fig. 3

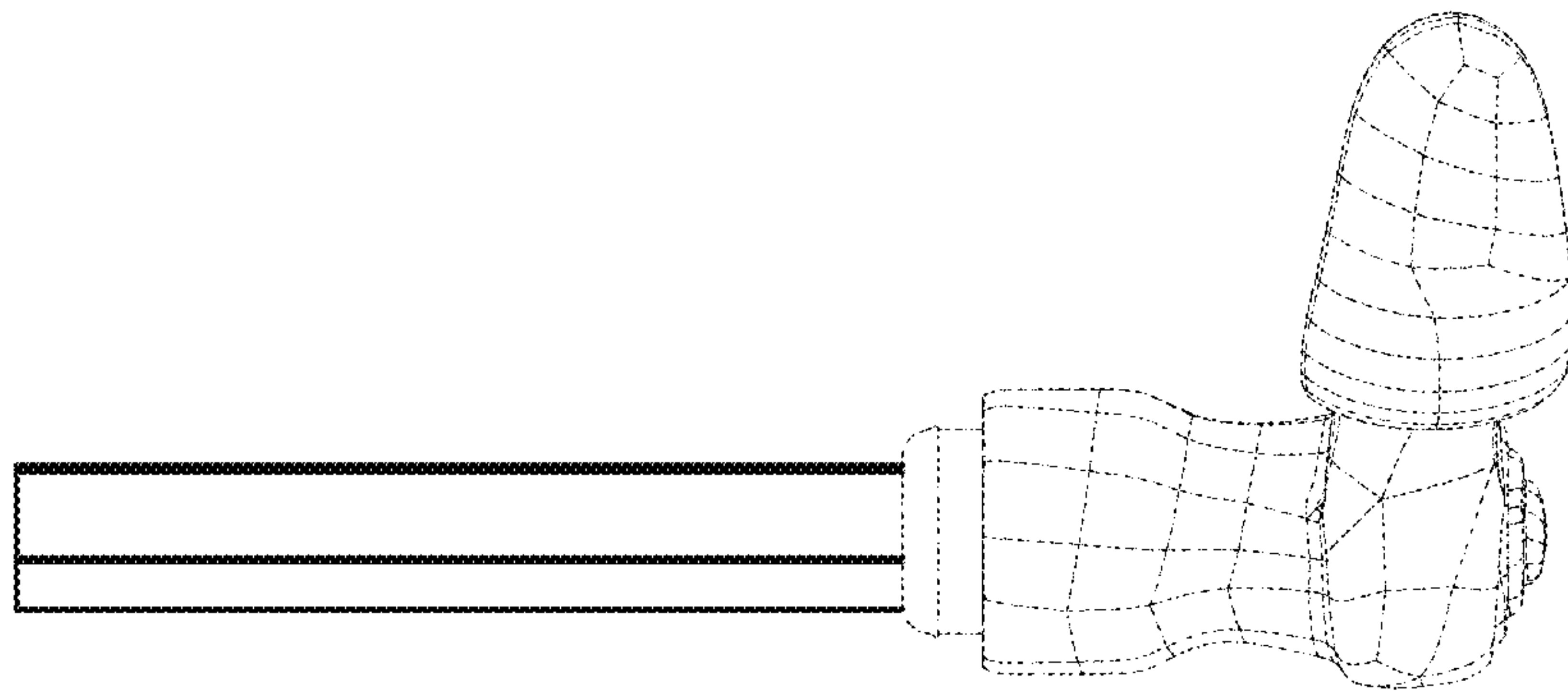


Fig. 4

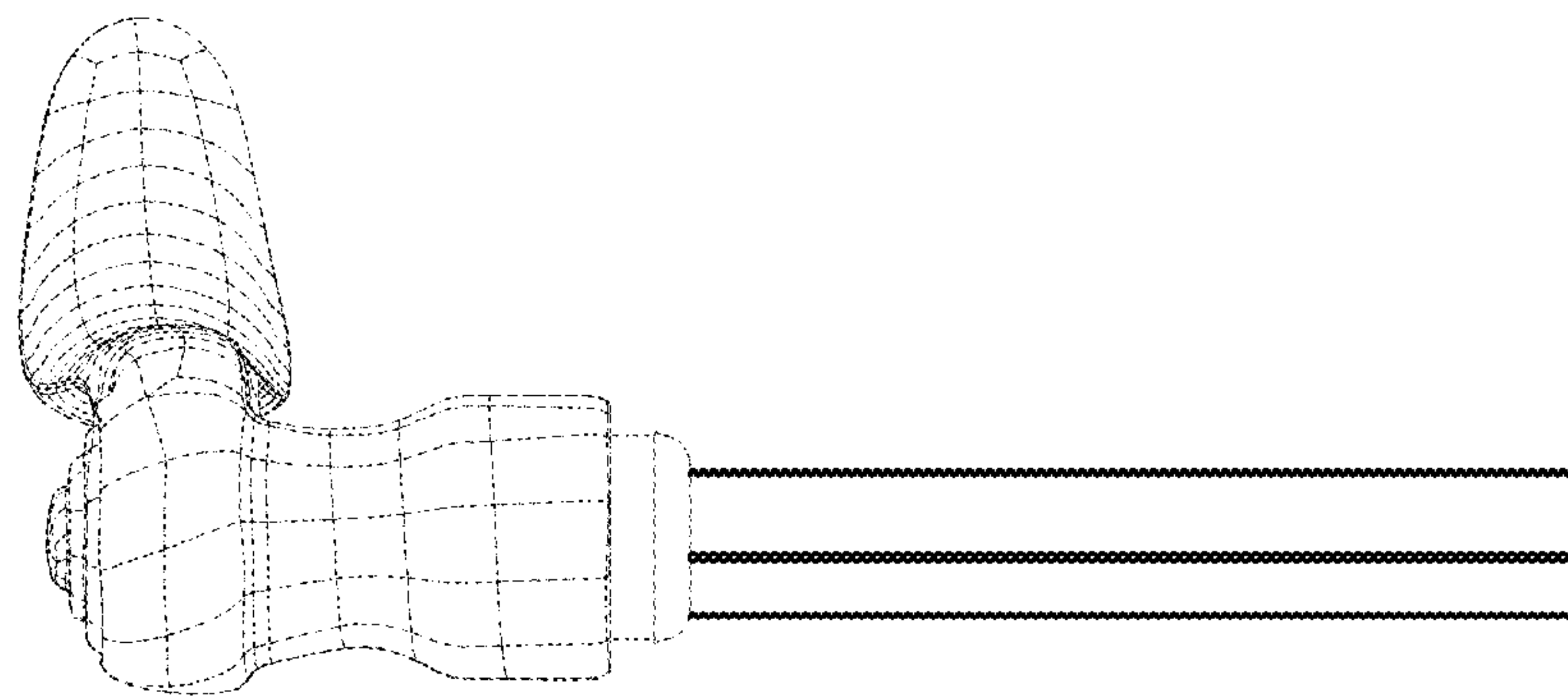


Fig. 5

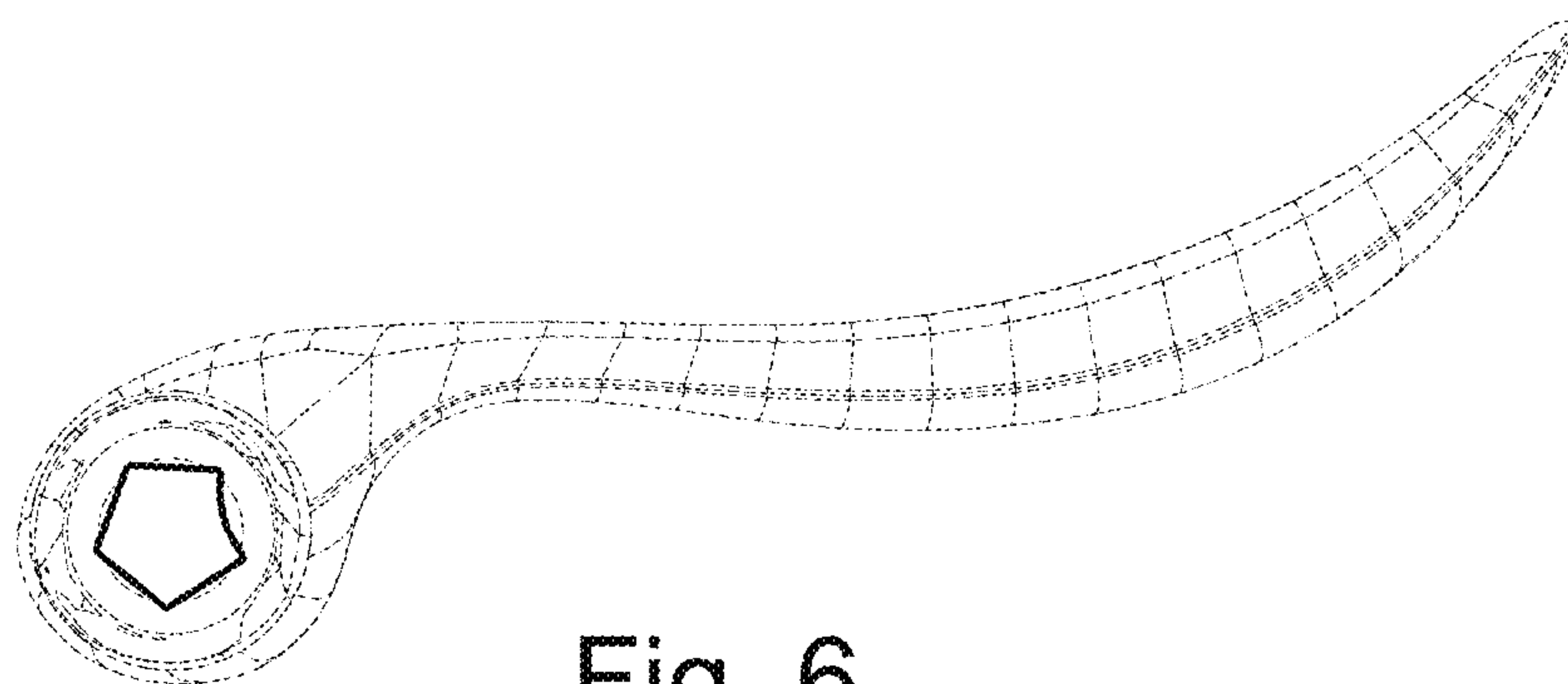


Fig. 6