



US00D770263S

(12) **United States Design Patent**  
**Marsden**

(10) **Patent No.:** **US D770,263 S**

(45) **Date of Patent:** **\*\* Nov. 1, 2016**

(54) **UNIVERSAL CABINET LOCK**  
(71) Applicant: **Andrew Marsden**, Hingham, MA (US)  
(72) Inventor: **Andrew Marsden**, Hingham, MA (US)  
(73) Assignee: **Elbee Pty Ltd.**, Bondi Junction (AU)

(\*\*) Term: **15 Years**

(21) Appl. No.: **29/538,227**

(22) Filed: **Sep. 2, 2015**

(51) **LOC (10) Cl.** ..... **08-07**

(52) **U.S. Cl.**  
USPC ..... **D8/339**; D8/343; D8/330

(58) **Field of Classification Search**  
USPC ..... D8/330, 331, 336, 339, 343, 349, 350,  
D8/354, 382, 400, 300, 301, 302; 70/14,  
70/51, 52, 57, 57.1, 67, 69, 78, 85, 86, 88,  
70/141, 262, 263, 431, 218, 221, 203;  
292/32, 358, 359, DIG. 68, DIG. 30,  
292/137, 106, 108, 336.3; 312/294, 333,  
312/334.1, 330.1, 351.1  
CPC ..... E05B 3/00; E05B 9/00; E05B 2009/004;  
E05B 47/00; E05B 55/00; E05B 15/00;  
E05C 7/00; E05C 19/08  
See application file for complete search history.

(56) **References Cited**

**U.S. PATENT DOCUMENTS**

4,715,629 A \* 12/1987 Robinson ..... E05B 15/1607  
292/256  
5,088,158 A \* 2/1992 Burkholder ..... E05B 75/00  
128/879  
5,099,662 A \* 3/1992 Tsai ..... E05B 75/00  
70/16  
5,332,251 A \* 7/1994 Farquhar ..... B60D 1/60  
280/507

5,794,461 A \* 8/1998 Smith ..... B65D 63/1072  
292/318  
6,935,146 B1 \* 8/2005 Lin ..... E05B 27/005  
70/338  
7,500,701 B2 \* 3/2009 Lalancette ..... F16B 5/0275  
292/256  
7,784,313 B2 \* 8/2010 Wyers ..... E05B 67/003  
70/14  
7,961,099 B2 \* 6/2011 Rendon ..... E05B 73/0017  
215/201  
D686,054 S \* 7/2013 Rohde ..... D8/330  
D715,131 S \* 10/2014 Song ..... D8/331  
D720,203 S \* 12/2014 Plato ..... D8/330  
D725,458 S \* 3/2015 Plato ..... D8/330

\* cited by examiner

*Primary Examiner* — Prabhakar Deshmukh  
(74) *Attorney, Agent, or Firm* — Wolf, Greenfield & Sacks, P.C.

(57) **CLAIM**  
The ornamental design for a universal cabinet lock, as shown and described.

**DESCRIPTION**

FIG. 1 is a perspective view of a universal cabinet lock showing my new design;  
FIG. 2 is an exploded perspective view of FIG. 1;  
FIG. 3 is another alternate perspective view thereof;  
FIG. 4 is an exploded perspective view of FIG. 3;  
FIG. 5 is a top plan view thereof;  
FIG. 6 is an exploded top plan view of FIG. 5;  
FIG. 7 is a bottom plan view thereof;  
FIG. 8 is an exploded bottom plan view of FIG. 7;  
FIG. 9 is a right side elevational view thereof;  
FIG. 10 is an exploded right side elevational view of FIG. 9;  
FIG. 11 is a left side elevational view thereof;  
FIG. 12 is an exploded left side elevational view of FIG. 11;  
FIG. 13 is an enlarged front elevational view thereof; and,  
FIG. 14 is an enlarged rear elevational view thereof.

**1 Claim, 14 Drawing Sheets**

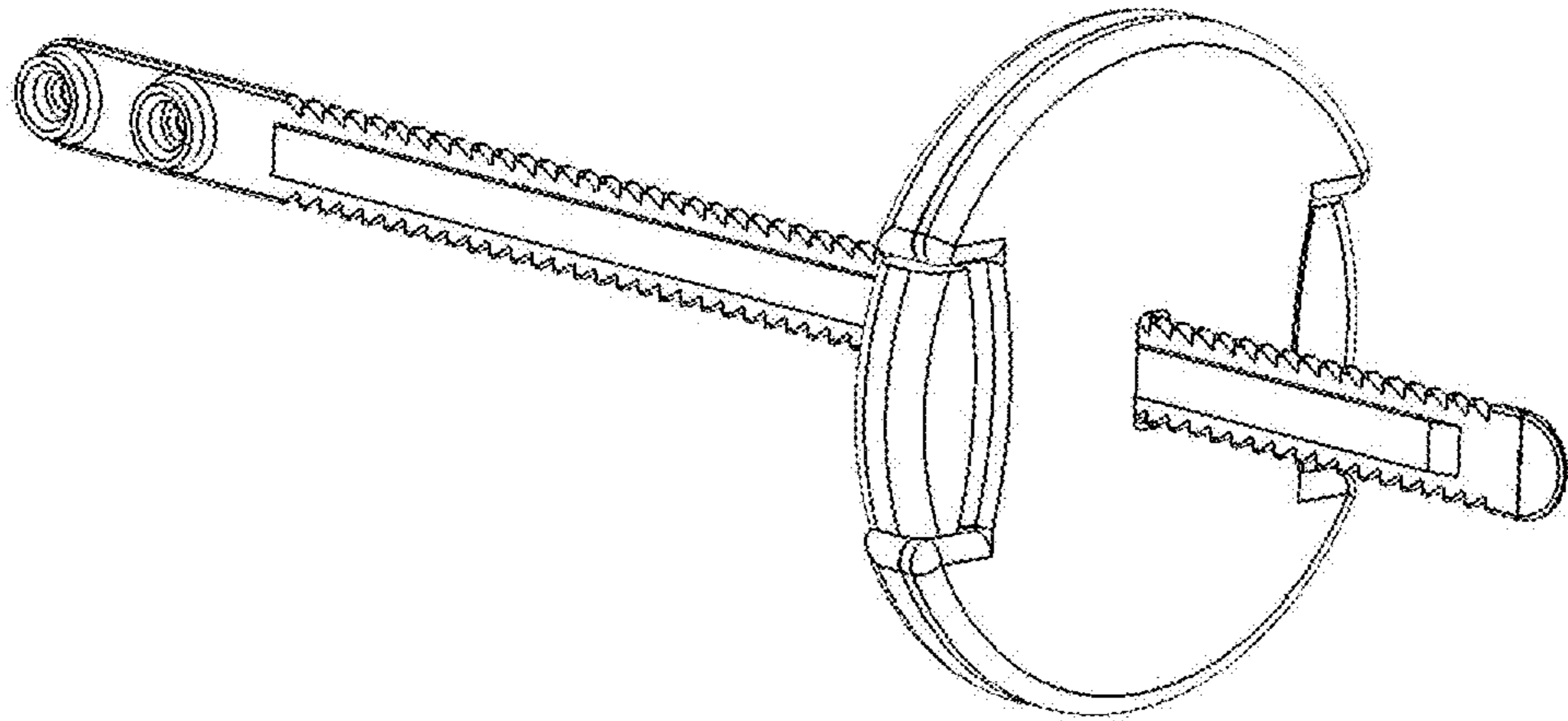


FIG. 1

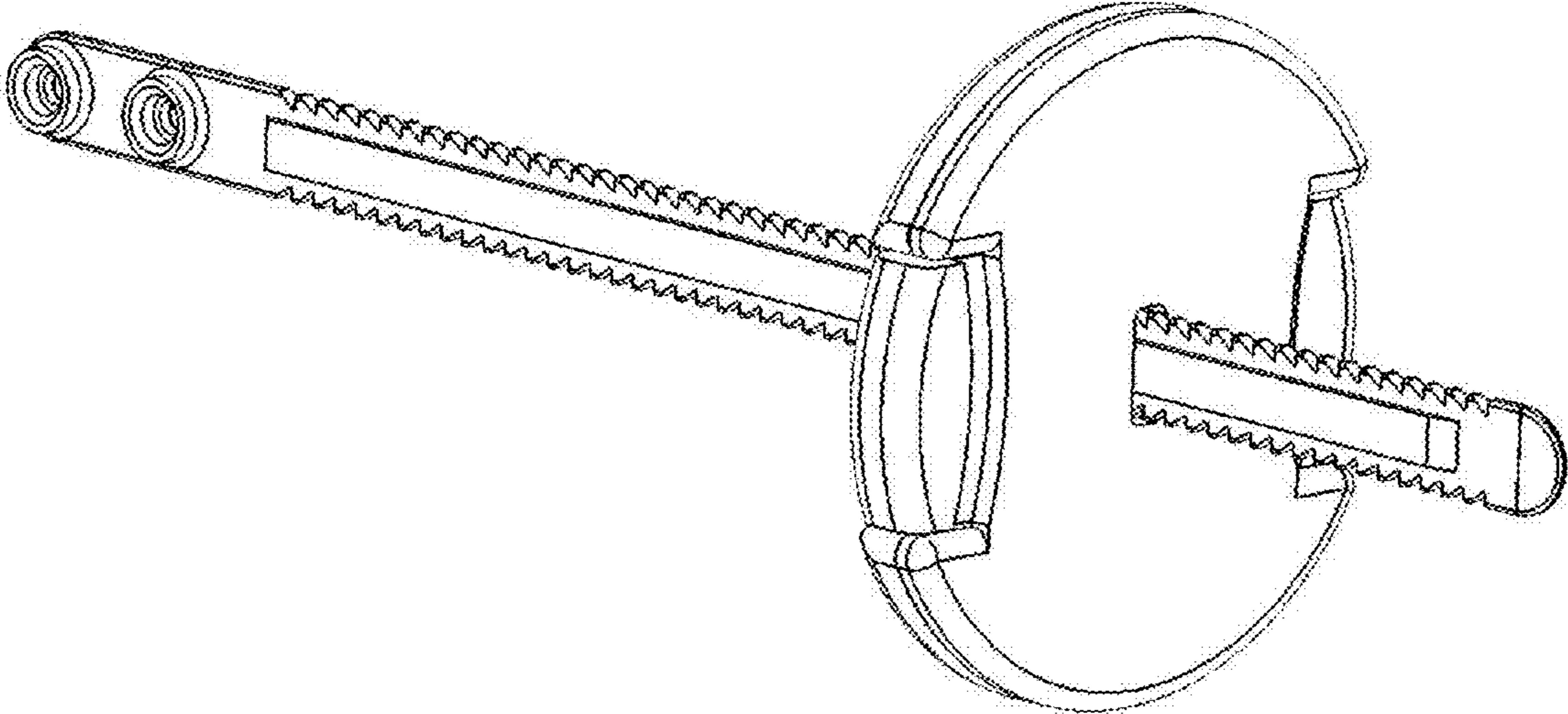


FIG. 2

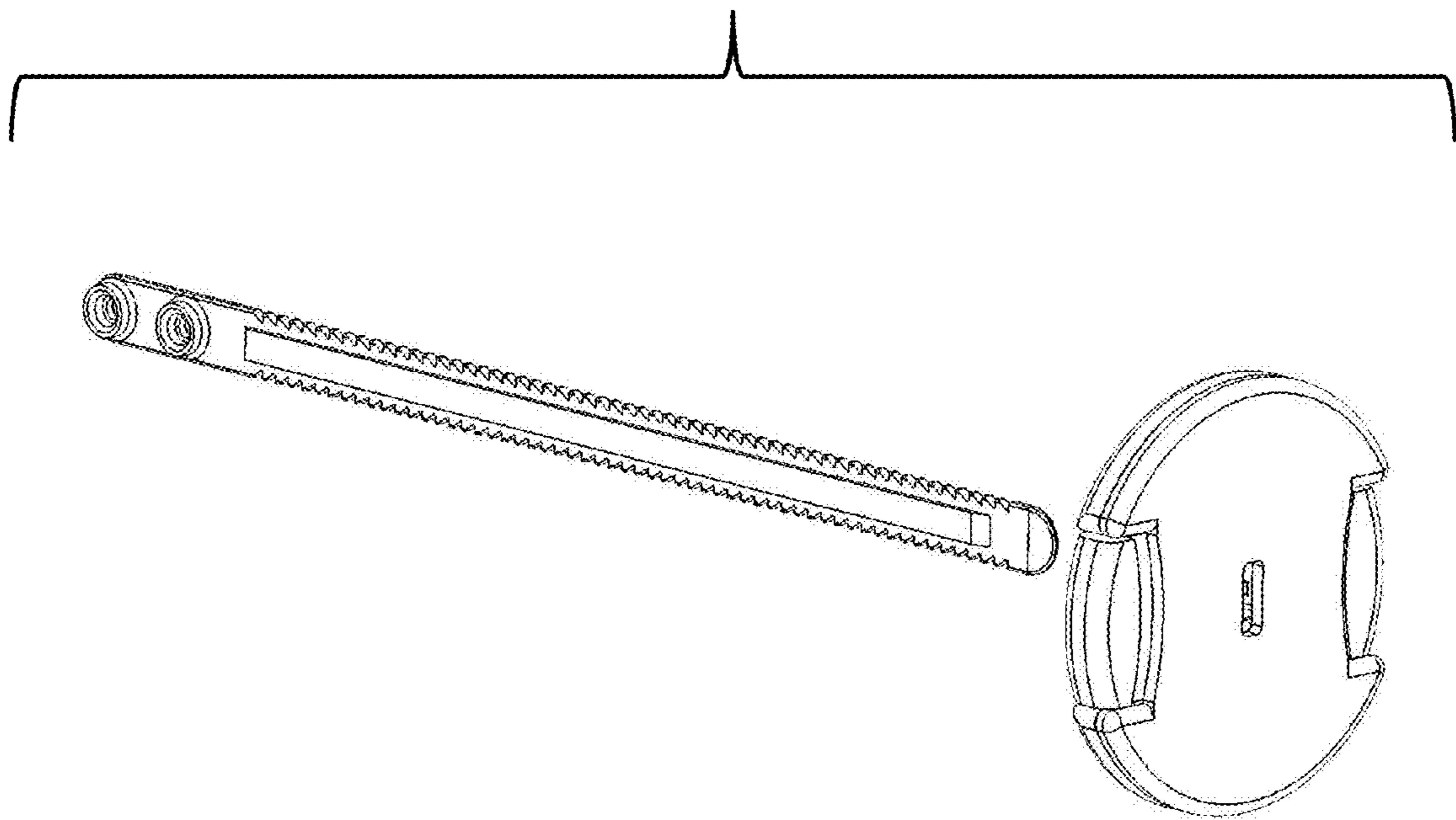


FIG. 3

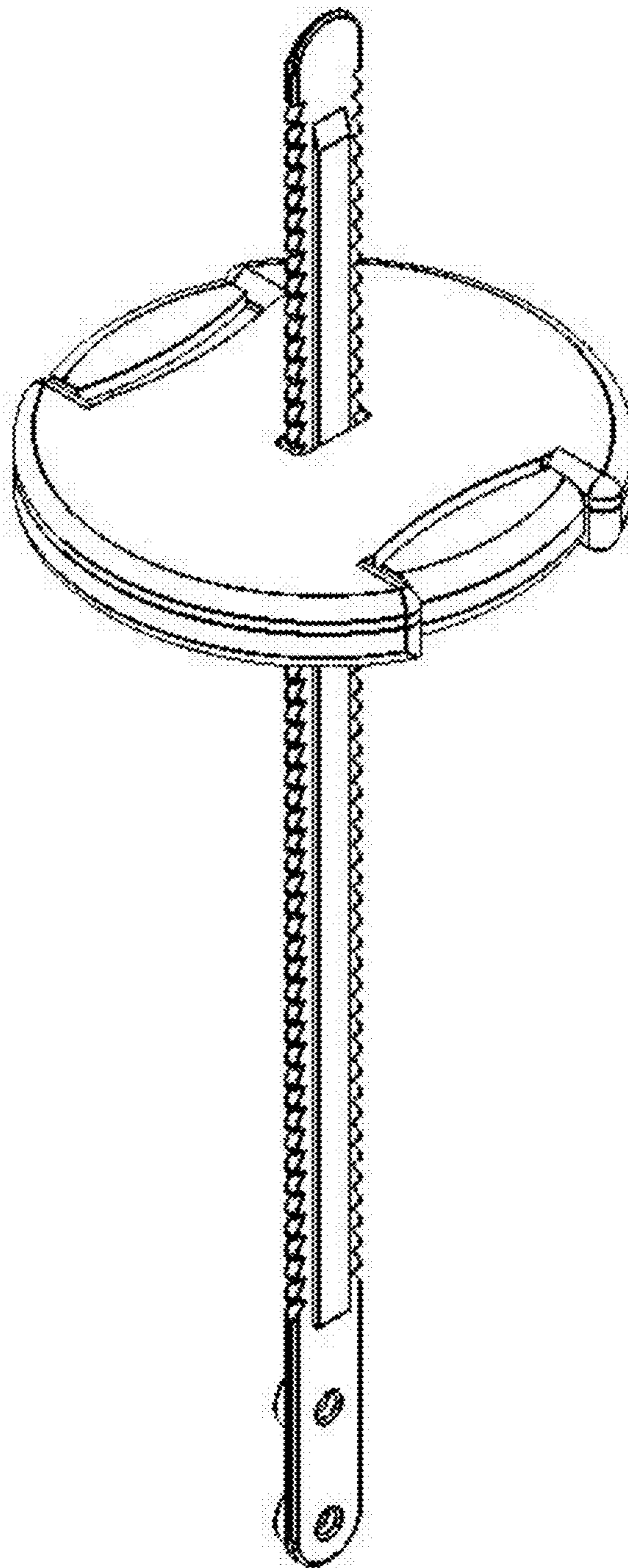




FIG. 4

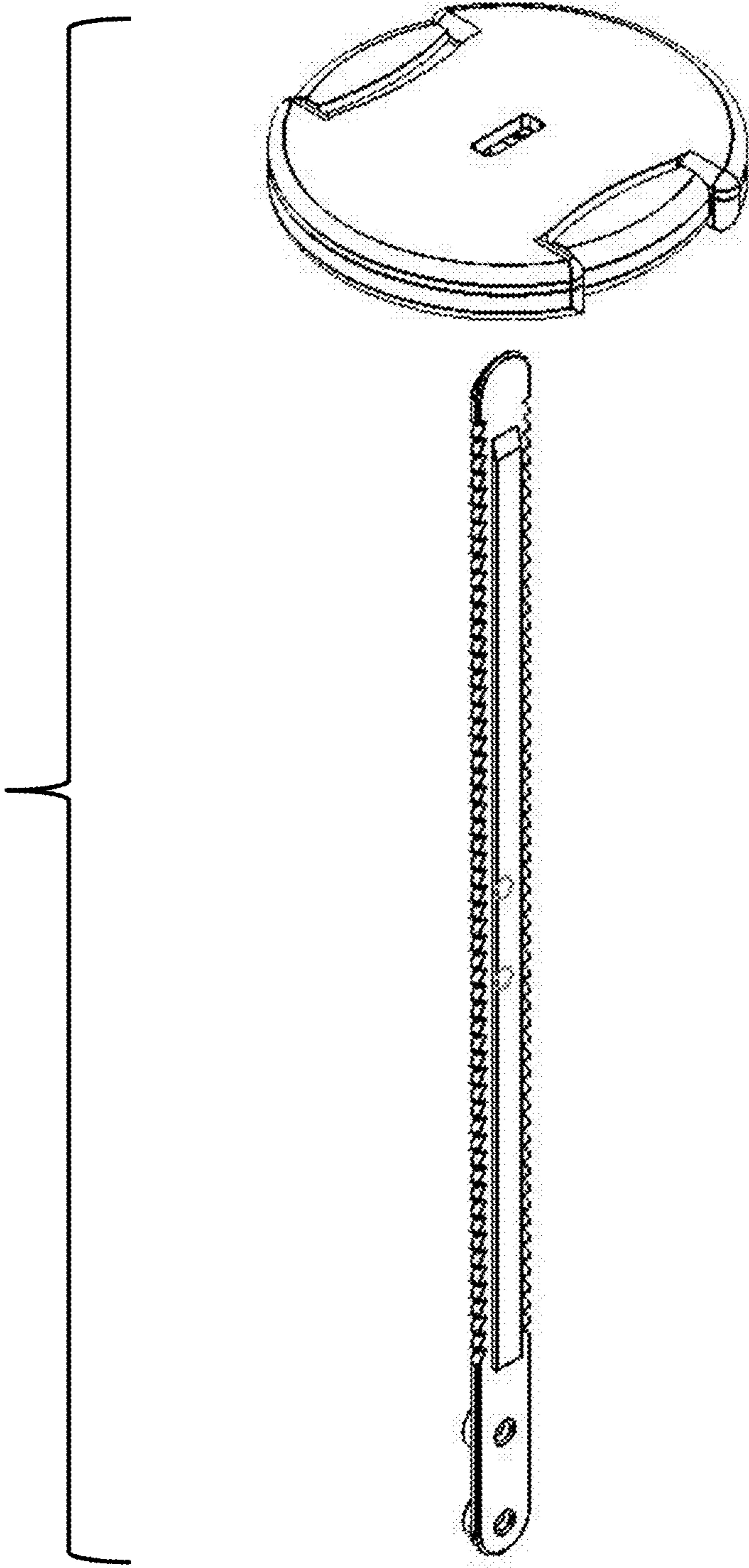


FIG. 5

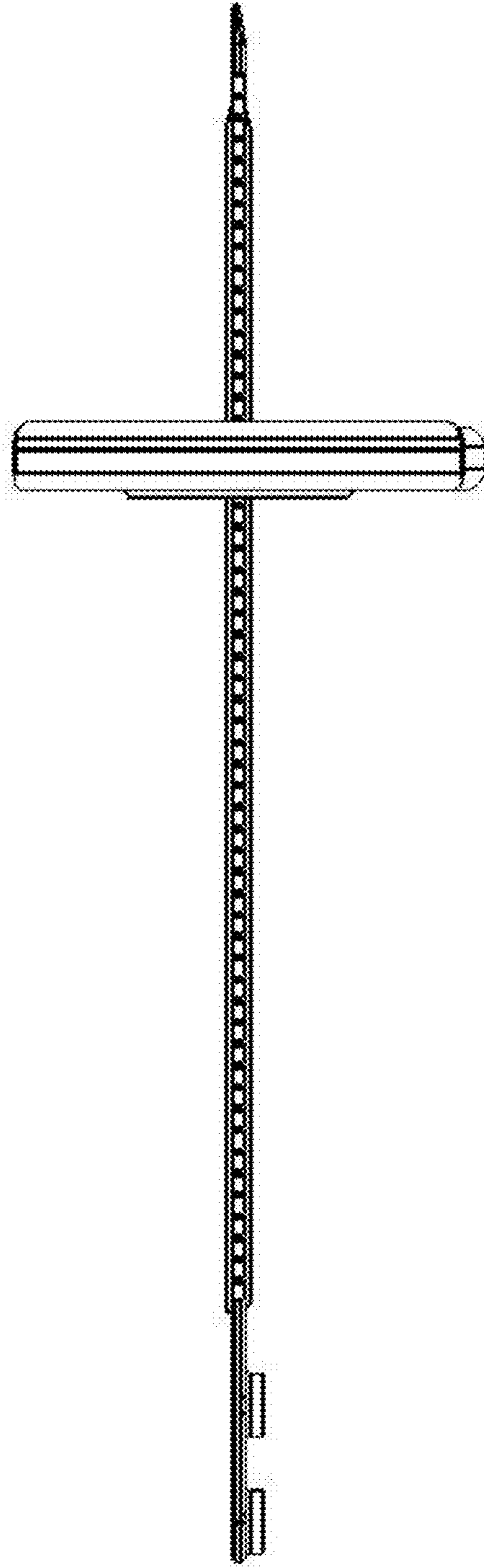


FIG. 6

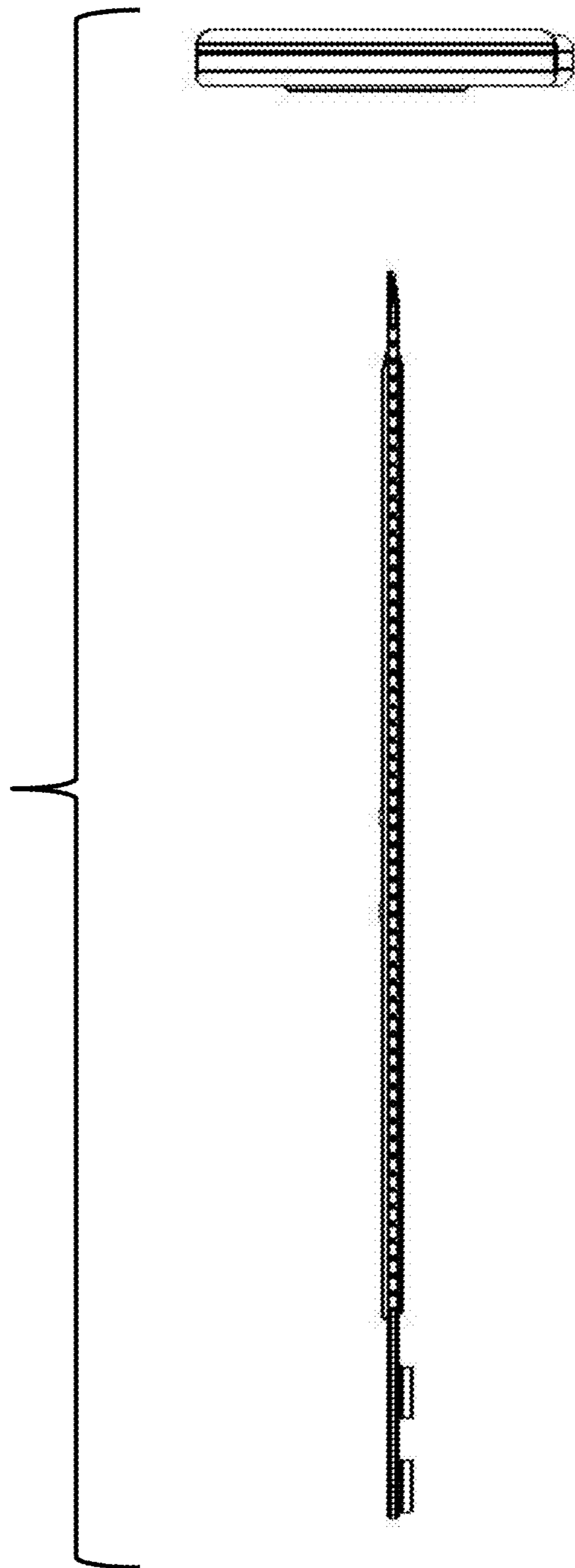


FIG. 7

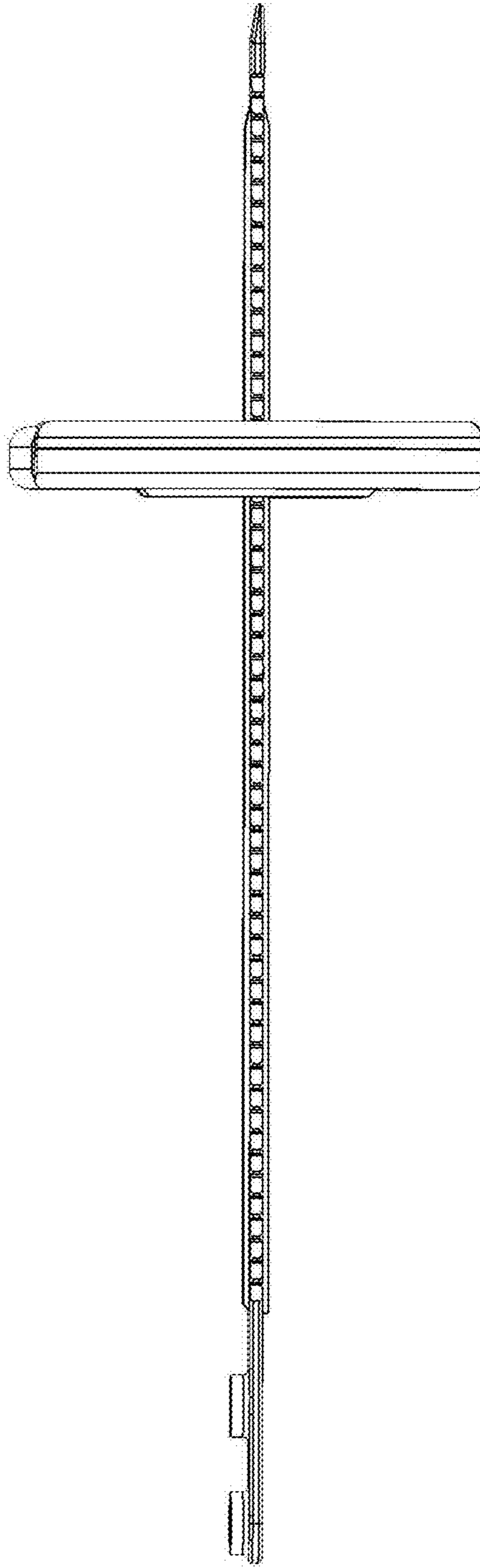




FIG. 8

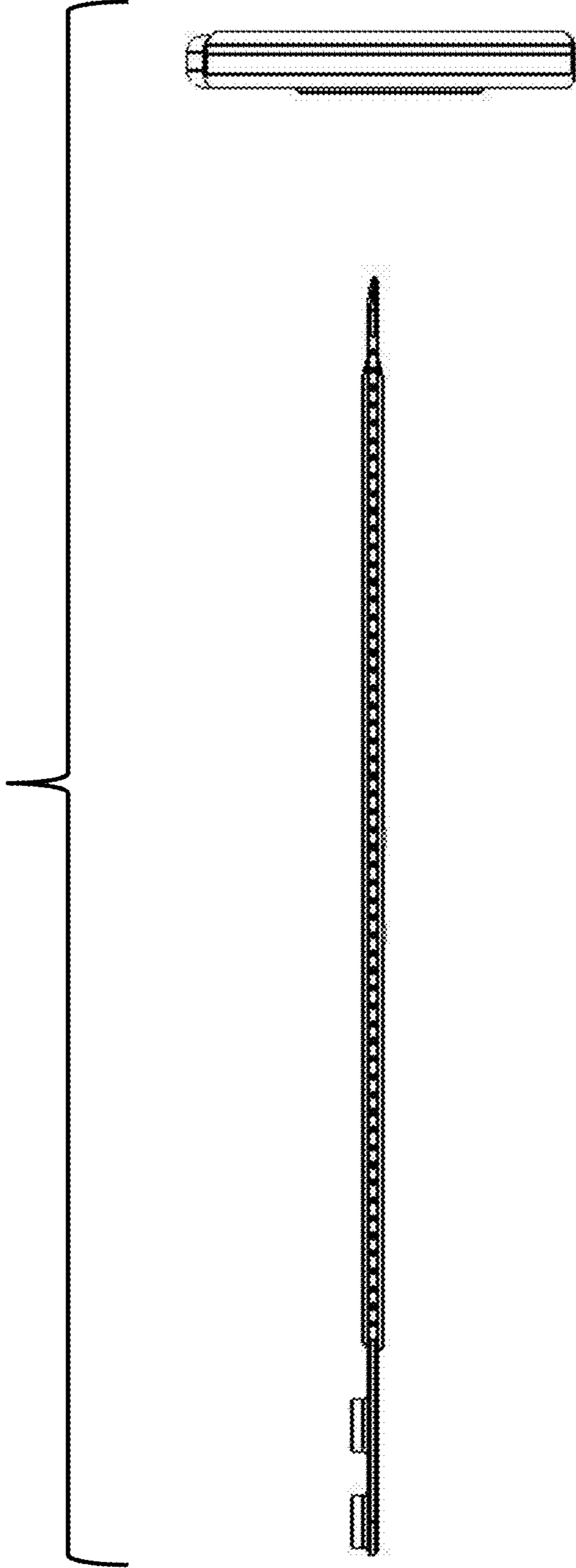


FIG. 9

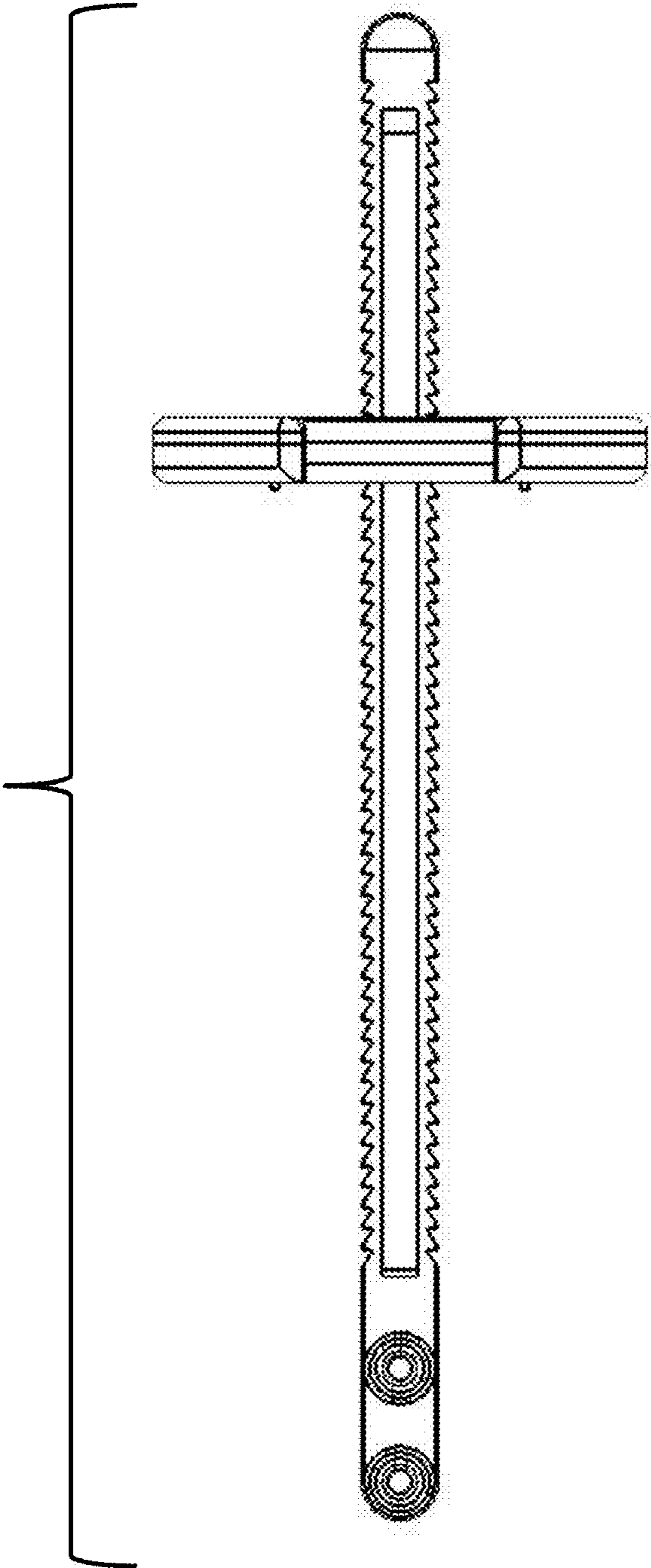


FIG. 10

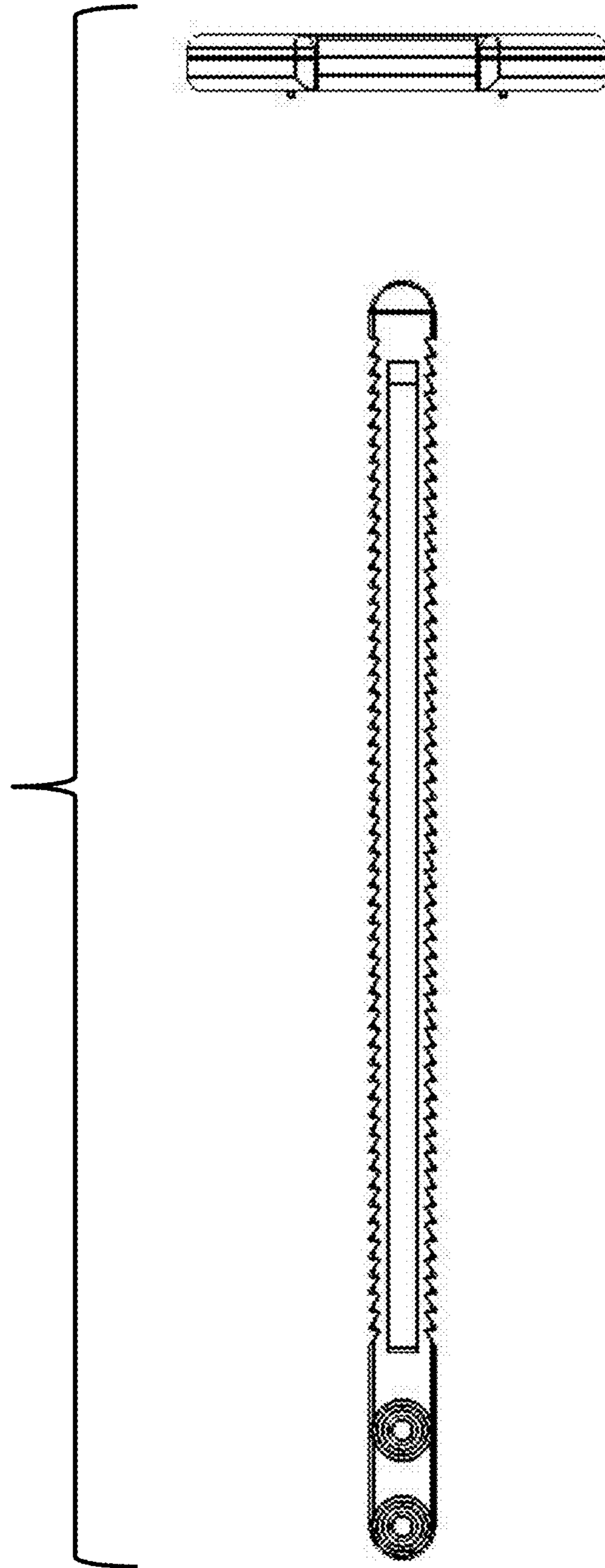


FIG. 11

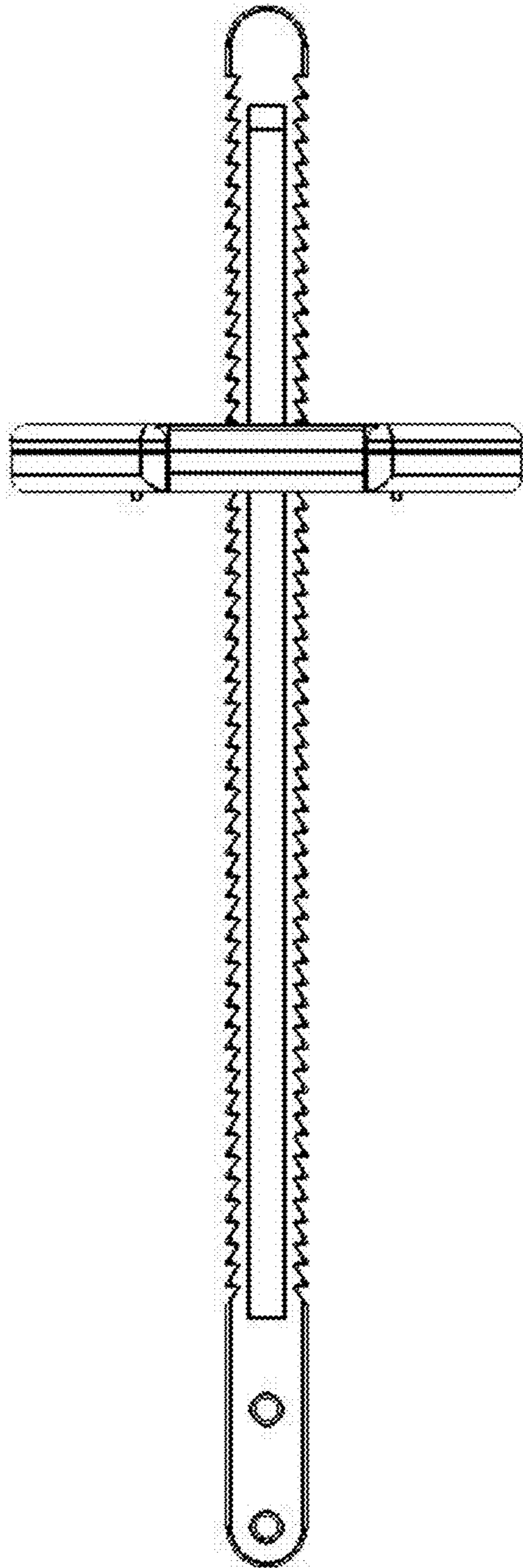


FIG. 12

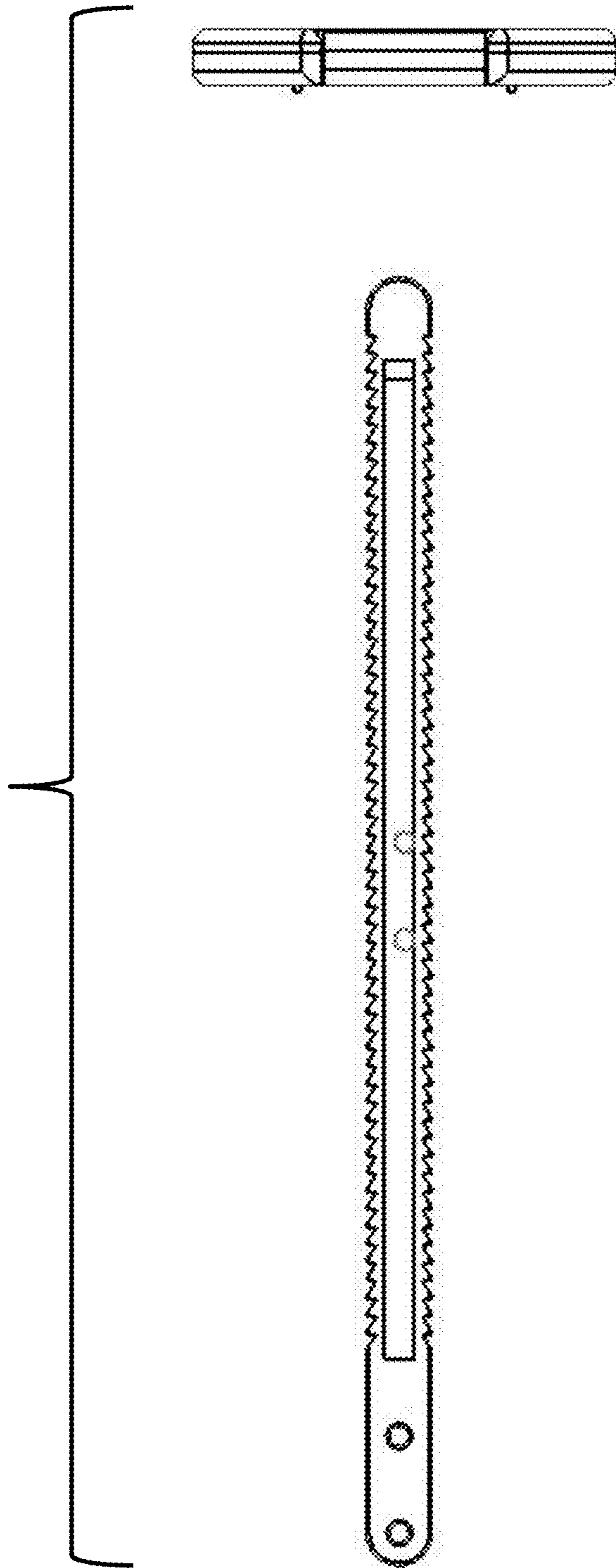




FIG. 13

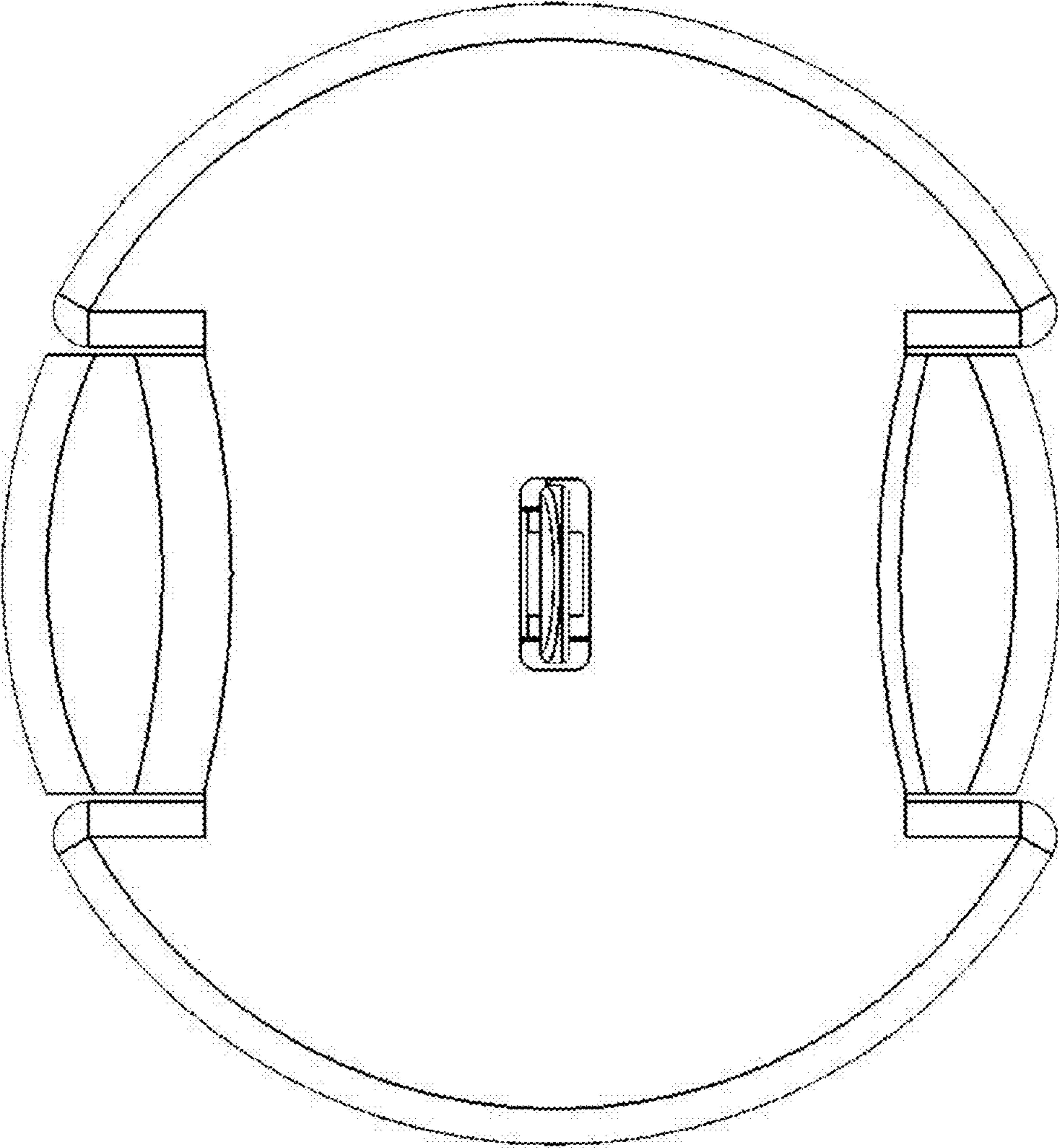


FIG. 14

