



US00D770258S

(12) **United States Design Patent** (10) **Patent No.:** **US D770,258 S**  
**Stokes et al.** (45) **Date of Patent:** **\*\* Nov. 1, 2016**

(54) **SPLITTING MAUL**

1,369,499 A 2/1921 Thomson  
1,377,920 A 5/1921 Pearson  
D99,635 S \* 5/1936 Vaughan ..... 30/308.1

(Continued)

(71) Applicant: **Fiskars Brands, Inc.**, Madison, WI (US)

(72) Inventors: **Steven Stokes**, Fitchburg, WI (US);  
**Aaron Honadel**, Ixonia, WI (US);  
**Colin Roberts**, Madison, WI (US);  
**Petteri Masalin**, Helsinki (FI); **Sami Lyytikäinen**, Lohja (FI)

FOREIGN PATENT DOCUMENTS

CN 3016457165 8/2011  
KR 300222185000 9/1998

(Continued)

(73) Assignee: **Fiskars Brands, Inc.**, Middleton, WI (US)

*Primary Examiner* — Philip S Hyder  
*Assistant Examiner* — Roselynn Cody

(74) *Attorney, Agent, or Firm* — Foley & Lardner LLP

(\*\*) Term: **15 Years**

(21) Appl. No.: **29/531,279**

(57) **CLAIM**

We claim the ornamental design for a splitting maul, as shown and described.

(22) Filed: **Jun. 24, 2015**

(51) **LOC (10) Cl.** ..... **08-02**

(52) **U.S. Cl.**  
USPC ..... **D8/76**

(58) **Field of Classification Search**  
USPC ..... D8/14, 76-81, 107; D22/117; 30/308.1,  
30/308.3; 7/145; 254/26 R  
CPC ..... A01B 1/20; A62B 3/005; B26B 23/00;  
B25D 1/00; B25F 1/00; B25F 1/006; B25F  
1/02; B25G 1/04; B25G 3/28  
See application file for complete search history.

**DESCRIPTION**

FIG. 1 is a front perspective view from above of the claimed design;  
FIG. 2 is a rear perspective view from above of the claimed design of FIG. 1;  
FIG. 3 is a front view of the claimed design of FIG. 1;  
FIG. 4 is a left side view of the claimed design of FIG. 1;  
FIG. 5 is a rear side view of the claimed design of FIG. 1;  
FIG. 6 is a right side view of the claimed design of FIG. 1;  
FIG. 7 is a top view of the claimed design of FIG. 1;  
FIG. 8 is a bottom view of the claimed design of FIG. 1; and,  
FIG. 9 is a detail view of a portion of the handle of the claimed design.

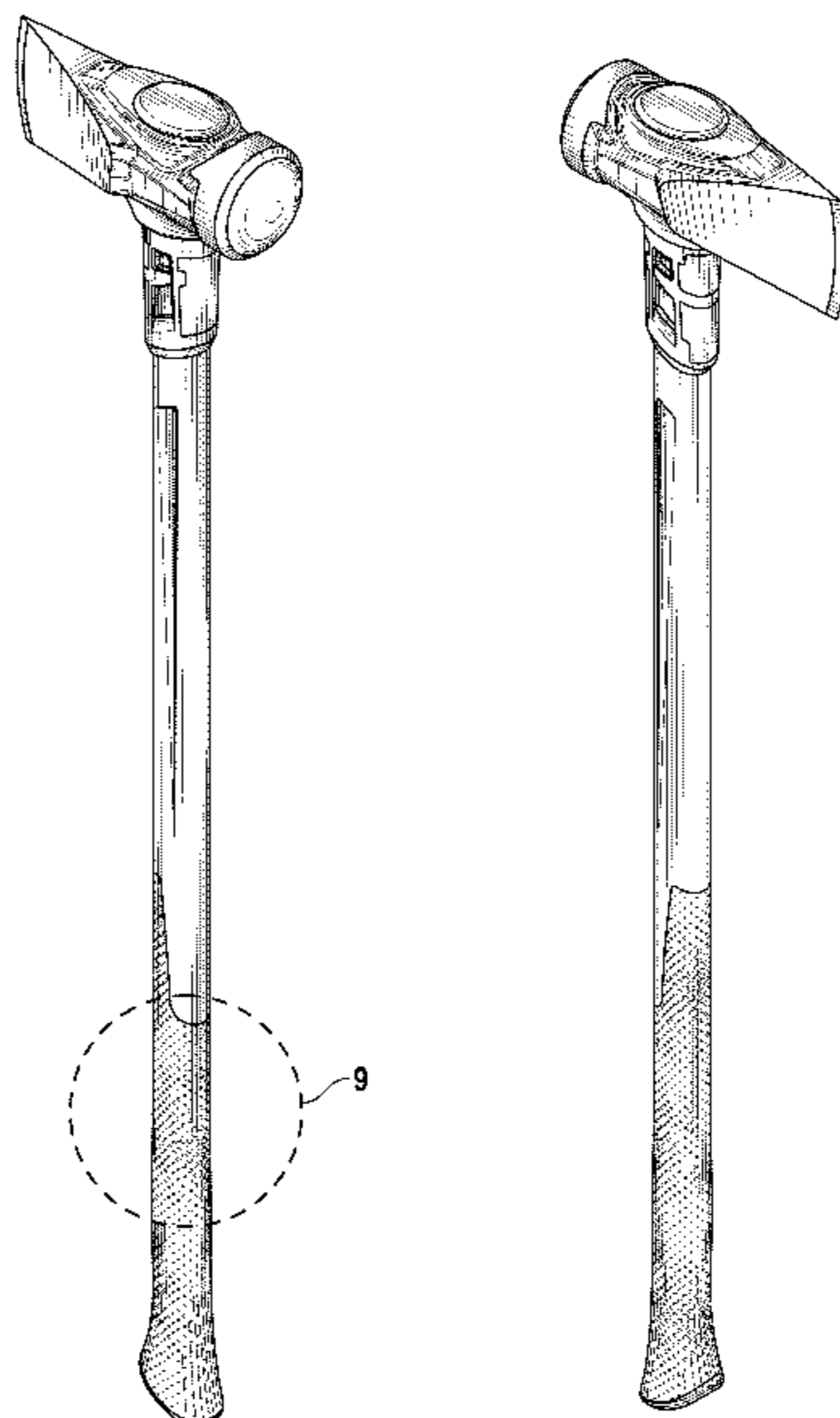
Any portion of the article depicted in broken lines forms no part of the claimed design. Broken lines formed by equal length dashes show unclaimed portions of the design. As shown in FIG. 9, the circular features on the grip of the handle are depicted in broken lines.

(56) **References Cited**

U.S. PATENT DOCUMENTS

277,183 A 5/1883 Wright  
755,355 A 3/1904 Carlsen  
935,253 A 9/1909 Gill et al.  
1,008,944 A 11/1911 Brendel  
1,102,935 A 7/1914 Lipoff  
1,279,075 A 9/1918 Bali  
1,321,371 A 11/1919 Huff  
1,357,451 A 11/1920 Groover

**1 Claim, 5 Drawing Sheets**



(56)

References Cited

U.S. PATENT DOCUMENTS

D115,256 S \* 6/1939 Vaughan ..... 30/308.1  
 2,319,253 A 5/1943 Neal  
 2,470,865 A 5/1949 Rosengren  
 2,504,093 A 4/1950 Toth  
 D256,322 S 8/1980 Zabarte  
 D263,369 S 3/1982 Kuo  
 D266,141 S \* 9/1982 Nannen ..... D8/76  
 4,357,974 A \* 11/1982 Nannen ..... B27L 7/06  
 144/195.7  
 D271,076 S \* 10/1983 Hillinger ..... D8/76  
 4,476,597 A 10/1984 Gobbi  
 D288,628 S 3/1987 Farrand  
 4,669,342 A 6/1987 Wilson  
 D302,381 S 7/1989 Zabarte  
 D302,933 S 8/1989 Zabarte  
 D303,208 S 9/1989 Chung  
 D340,177 S 10/1993 Key  
 D354,212 S \* 1/1995 Ronnholm ..... D8/76  
 D356,480 S \* 3/1995 Ronnholm ..... D8/76  
 D362,795 S \* 10/1995 Ronnholm ..... D8/76  
 D365,739 S 1/1996 Weintraut  
 5,551,323 A 9/1996 Beere et al.  
 D378,656 S \* 4/1997 Maine ..... D8/76  
 5,647,080 A \* 7/1997 Martin ..... B25D 1/00  
 30/308.1  
 D381,884 S \* 8/1997 Spirer ..... D8/75  
 D393,776 S 4/1998 Kessler  
 D408,219 S 4/1999 Lai  
 D410,362 S 6/1999 Lai  
 D420,268 S 2/2000 Coonrad  
 D442,048 S 5/2001 Coonrad  
 D448,265 S 9/2001 Chen  
 D465,714 S 11/2002 Stump et al.  
 D468,181 S 1/2003 Hung  
 D494,830 S \* 8/2004 Konen ..... D8/107  
 6,860,053 B2 3/2005 Christiansen  
 D519,348 S 4/2006 Chen  
 D519,813 S \* 5/2006 Hung ..... D8/76  
 D520,568 S 5/2006 DeBoer et al.  
 D521,344 S \* 5/2006 Hung ..... D8/76  
 D521,839 S 5/2006 Hung  
 7,044,020 B2 5/2006 Rosenthal  
 D530,582 S 10/2006 Sleiman  
 D566,510 S \* 4/2008 Nielsen ..... D8/76  
 7,380,483 B2 6/2008 Hu  
 D572,993 S 7/2008 Baty et al.  
 D574,690 S 8/2008 Chen  
 D600,523 S 9/2009 Adams et al.  
 D605,922 S 12/2009 Reinius

7,631,582 B2 12/2009 Hu  
 D618,977 S 7/2010 Ruhland  
 D619,442 S 7/2010 Chen  
 D623,413 S 9/2010 Blanchard et al.  
 D625,982 S 10/2010 Oyama  
 D628,870 S 12/2010 Jerabek et al.  
 D628,871 S 12/2010 Jerabek et al.  
 7,874,231 B2 1/2011 Hanlon  
 D631,722 S \* 2/2011 Lamarre ..... D8/76  
 D636,185 S 4/2011 Behar et al.  
 D644,498 S \* 9/2011 Chen ..... D8/78  
 D645,252 S 9/2011 Blanchard et al.  
 D648,202 S 11/2011 Chen  
 D648,610 S \* 11/2011 Paloheimo ..... D8/78  
 8,056,443 B2 11/2011 Hanlon  
 D653,925 S 2/2012 Hung  
 D654,774 S 2/2012 Mullen et al.  
 D657,566 S 4/2012 Behar et al.  
 D658,884 S 5/2012 Watanabe et al.  
 D661,170 S \* 6/2012 Beggs ..... D8/78  
 D664,358 S 7/2012 Behar et al.  
 D670,504 S 11/2012 Watanabe et al.  
 D672,628 S 12/2012 Frenkel  
 D676,300 S 2/2013 Vanderbeek  
 8,387,486 B2 3/2013 Hanlon  
 D680,402 S 4/2013 Descombes  
 8,420,203 B2 4/2013 Sikora et al.  
 D685,247 S \* 7/2013 Tatic ..... D8/76  
 8,770,548 B2 7/2014 Hanlon  
 D710,615 S 8/2014 Pereira et al.  
 D716,126 S 10/2014 Dahlberg et al.  
 D730,134 S 5/2015 Youngren et al.  
 D743,231 S 11/2015 Chang  
 D747,943 S 1/2016 Hung  
 D752,938 S 4/2016 West et al.  
 D752,941 S 4/2016 Lee  
 D758,820 S \* 6/2016 Nelson ..... D8/80  
 2004/0244117 A1 12/2004 Huang  
 2007/0082750 A1 4/2007 Rose  
 2008/0072702 A1 3/2008 Arnold  
 2010/0199809 A1 8/2010 St. John et al.  
 2012/0048055 A1 3/2012 Krause et al.  
 2014/0260812 A1 9/2014 Chang  
 2014/0311299 A1 10/2014 Chen  
 2016/0008966 A1 1/2016 Stokes et al.

FOREIGN PATENT DOCUMENTS

TW D142581 9/2011  
 TW D148437 8/2012  
 TW D153006 4/2013

\* cited by examiner

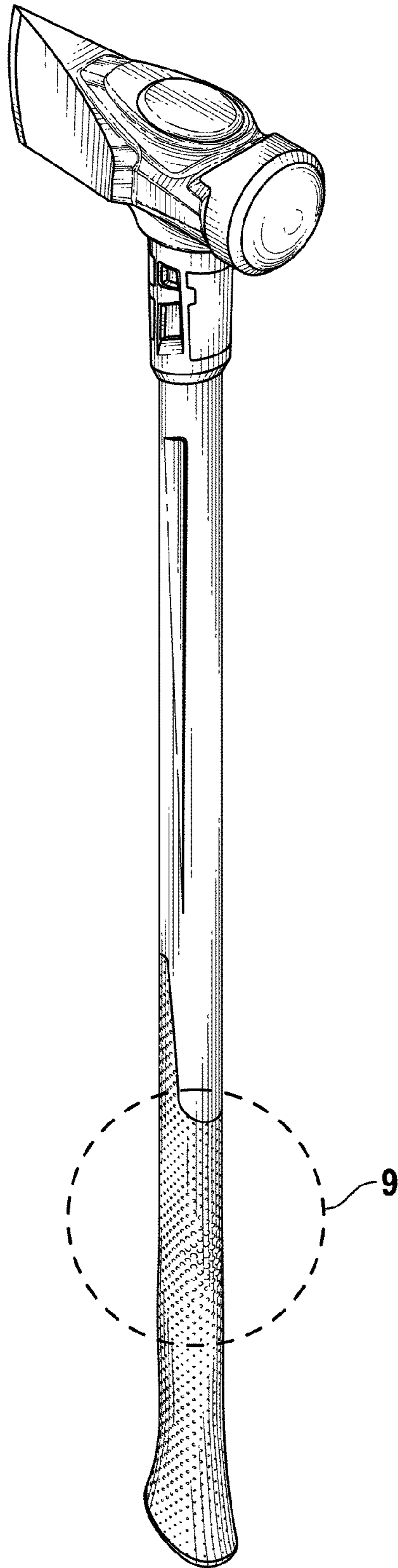


FIG. 1

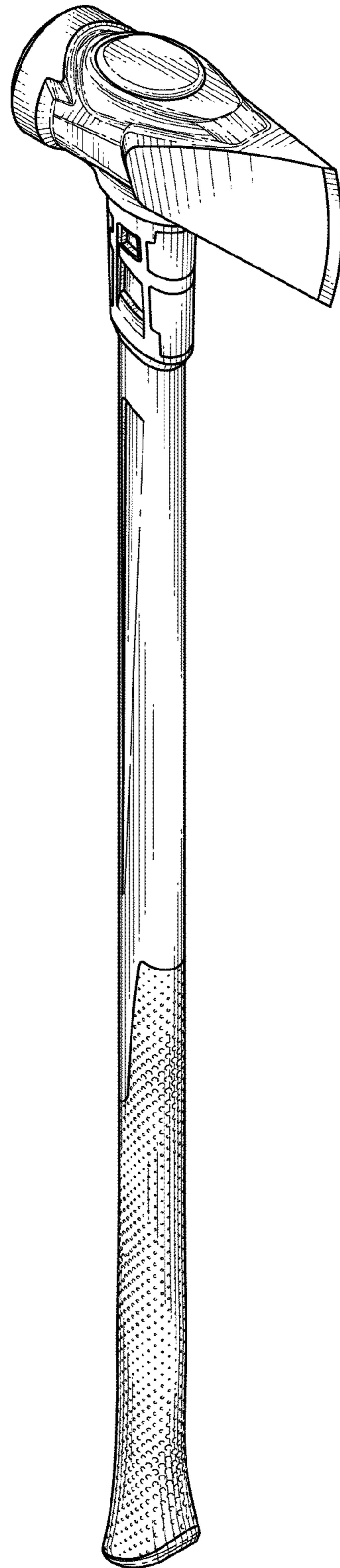


FIG. 2

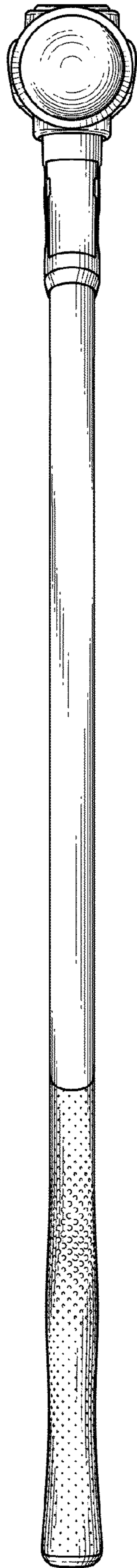


FIG. 3

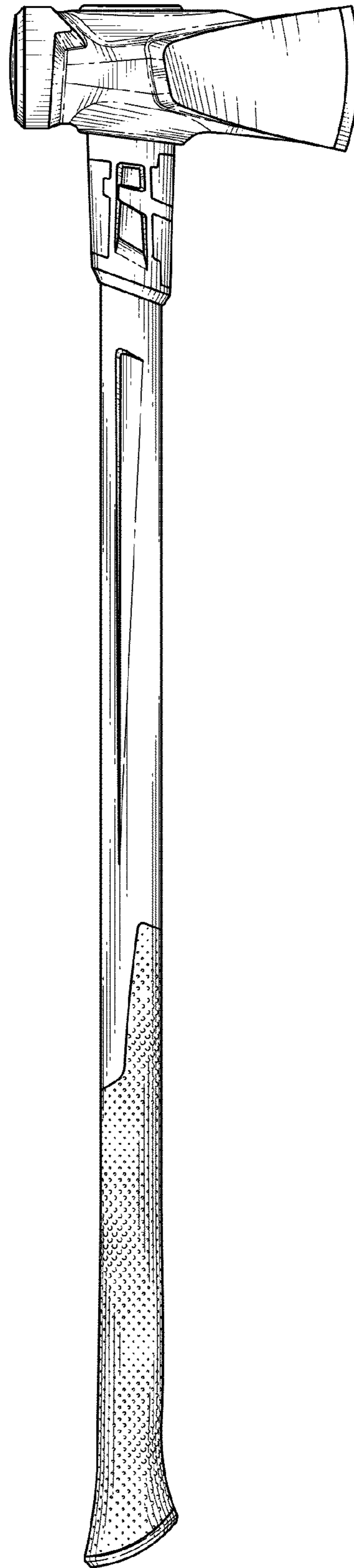


FIG. 4

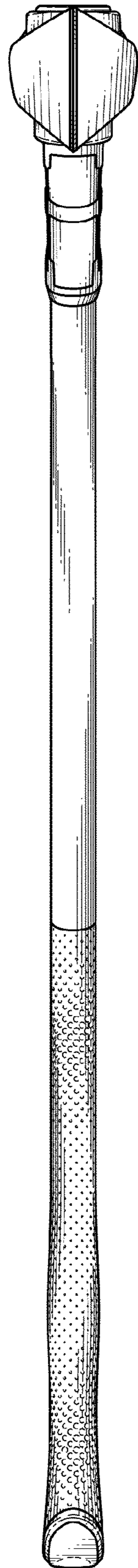


FIG. 5

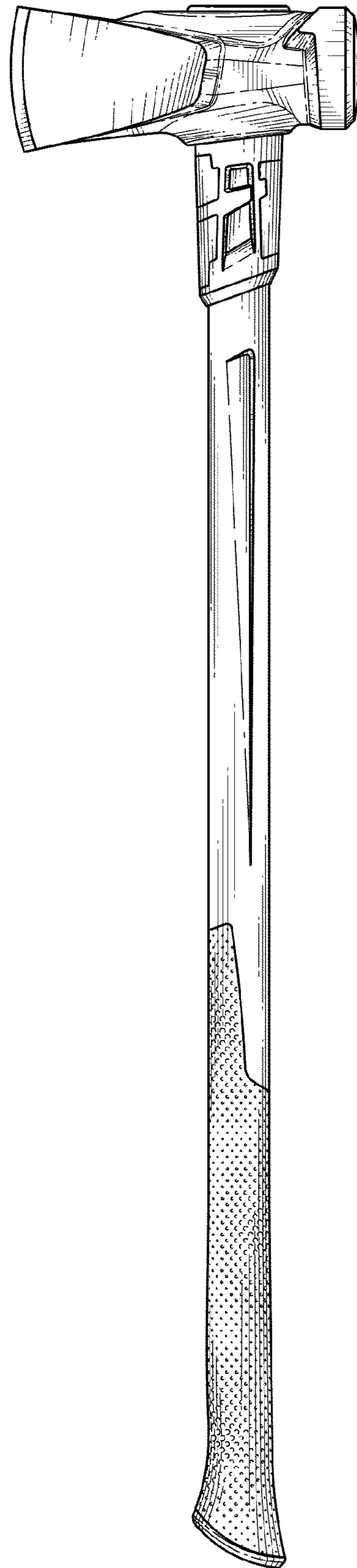


FIG. 6

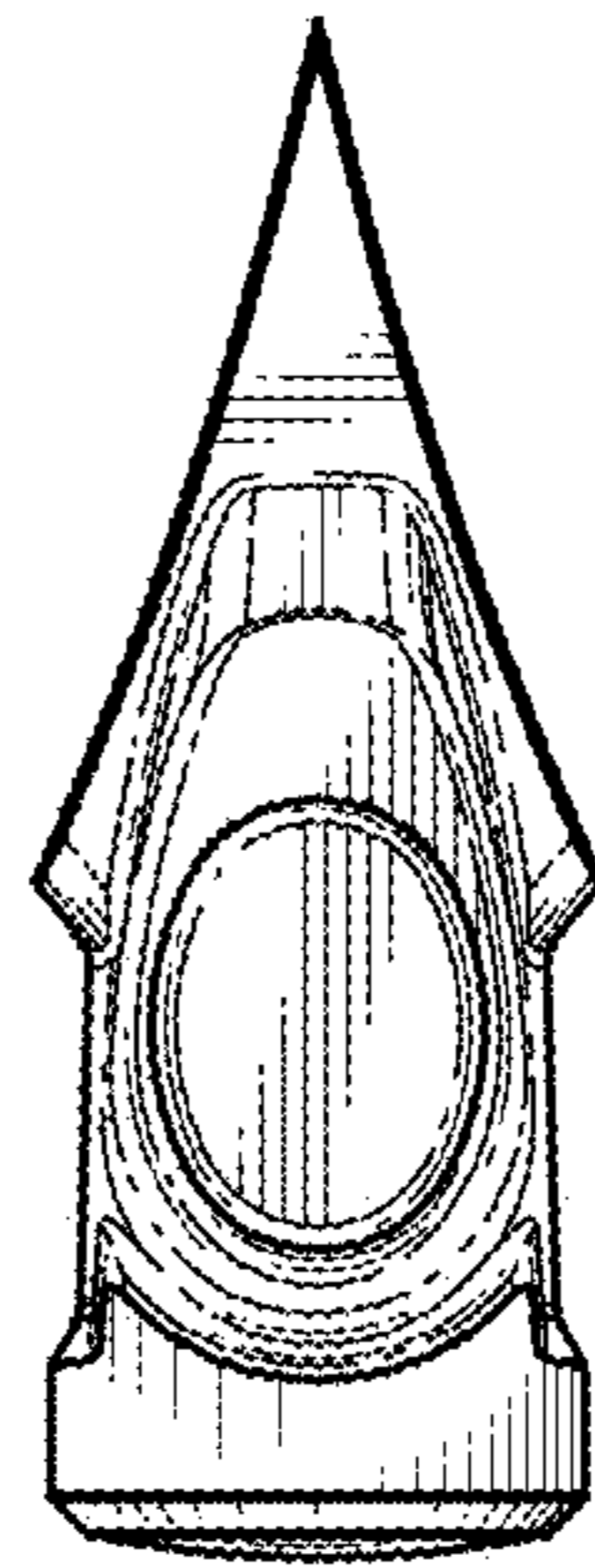


FIG. 7

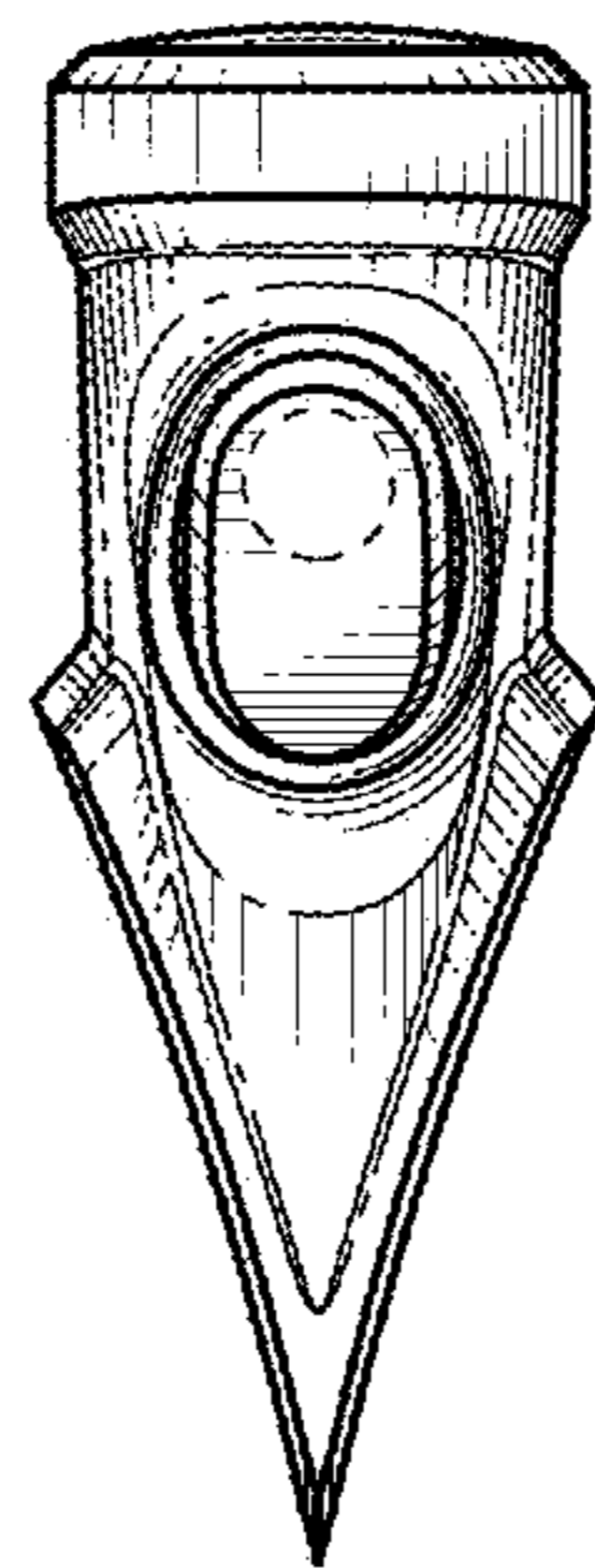


FIG. 8

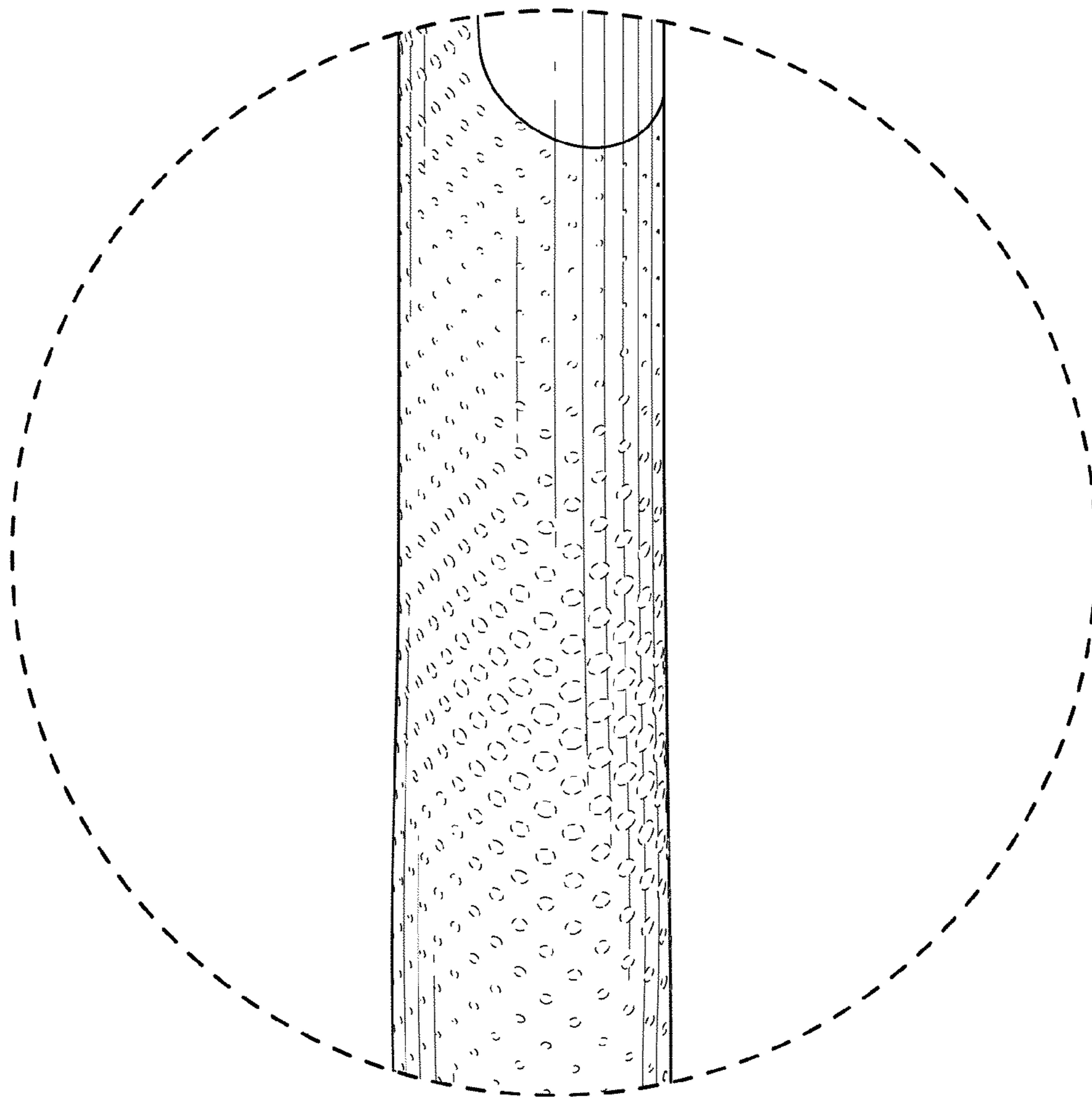


FIG. 9