



US00D770255S

(12) **United States Design Patent**
Honadel et al.

(10) **Patent No.:** **US D770,255 S**
(45) **Date of Patent:** **** Nov. 1, 2016**

(54) **CLAW HAMMER**

FOREIGN PATENT DOCUMENTS

(71) Applicant: **Fiskars Brands, Inc.**, Madison, WI (US)

CN 3016457165 8/2011
KR 300222185000 9/1998

(Continued)

(72) Inventors: **Aaron Honadel**, Ixonia, WI (US);
Steven Stokes, Fitchburg, WI (US);
Colin Roberts, Madison, WI (US);
Petteri Masalin, Helsinki (FI); **Sami Lyytikäinen**, Lohja (FI)

OTHER PUBLICATIONS

Online Article, "Fiskars Expands Category Portfolio with Award-Winning Striking Tools," Business Wire, retrieved Jun. 9, 2016 from <http://www.businesswire.com/news/home/20150513006206/en/Fiskars-Expands-Category-Portfolio-Award-winning-Striking-Tools> ("posted" May 13, 2015).

(Continued)

(73) Assignee: **Fiskars Brands, Inc.**, Middleton, WI (US)

(**) Term: **15 Years**

Primary Examiner — Philip S Hyder
Assistant Examiner — Roselyne Cody

(21) Appl. No.: **29/531,265**

(74) *Attorney, Agent, or Firm* — Foley & Lardner LLP

(22) Filed: **Jun. 24, 2015**

(57) **CLAIM**

We claim the ornamental design for a claw hammer, as shown and described.

(51) **LOC (10) Cl.** **08-02**

DESCRIPTION

(52) **U.S. Cl.**

USPC **D8/75**

(58) **Field of Classification Search**

USPC D8/75–81, 107; 81/19–26, 489–490;
76/103; D22/117; D21/756; 473/302

CPC A63B 49/08; A63B 53/14; A63B 53/16;
A63B 59/0014; A63B 59/0029; B25G 1/00;
B25G 1/01; B25G 1/02; B25G 1/04; B25G
1/10; B25G 3/34; B26B 23/00

See application file for complete search history.

FIG. 1 is a front perspective view from below of the claimed design according to one embodiment; FIG. 2 is a rear perspective view from below of the claimed design of FIG. 1; FIG. 3 is a front view of the claimed design of FIG. 1; FIG. 4 is a left side view of the claimed design of FIG. 1; FIG. 5 is a rear side view of the claimed design of FIG. 1; FIG. 6 is a right side view of the claimed design of FIG. 1; FIG. 7 is a top view of the claimed design of FIG. 1; FIG. 8 is a bottom view of the claimed design of FIG. 1; and, FIG. 9 is a detail view of a portion of the handle of the claimed design.

Any portion of the article depicted in broken lines forms no part of the claimed design. As shown in FIG. 9, the circular features on the grip of the handle are depicted in broken lines.

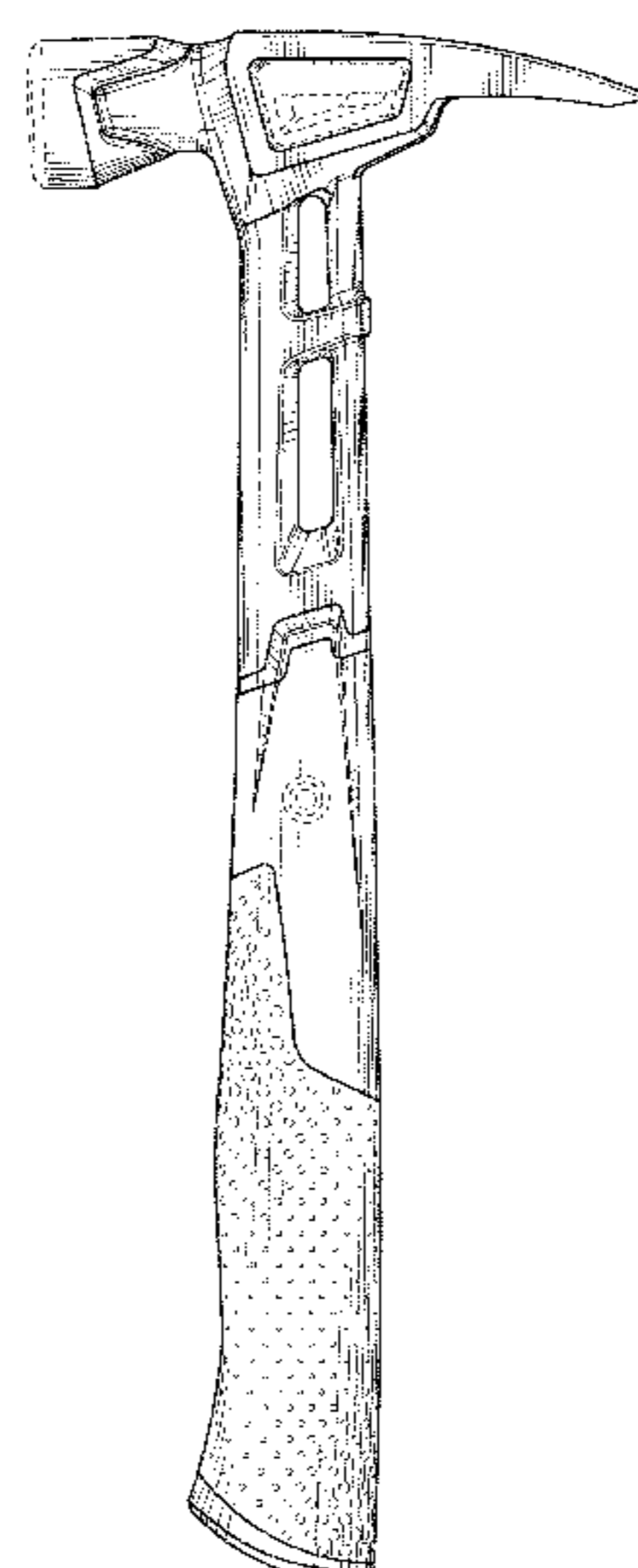
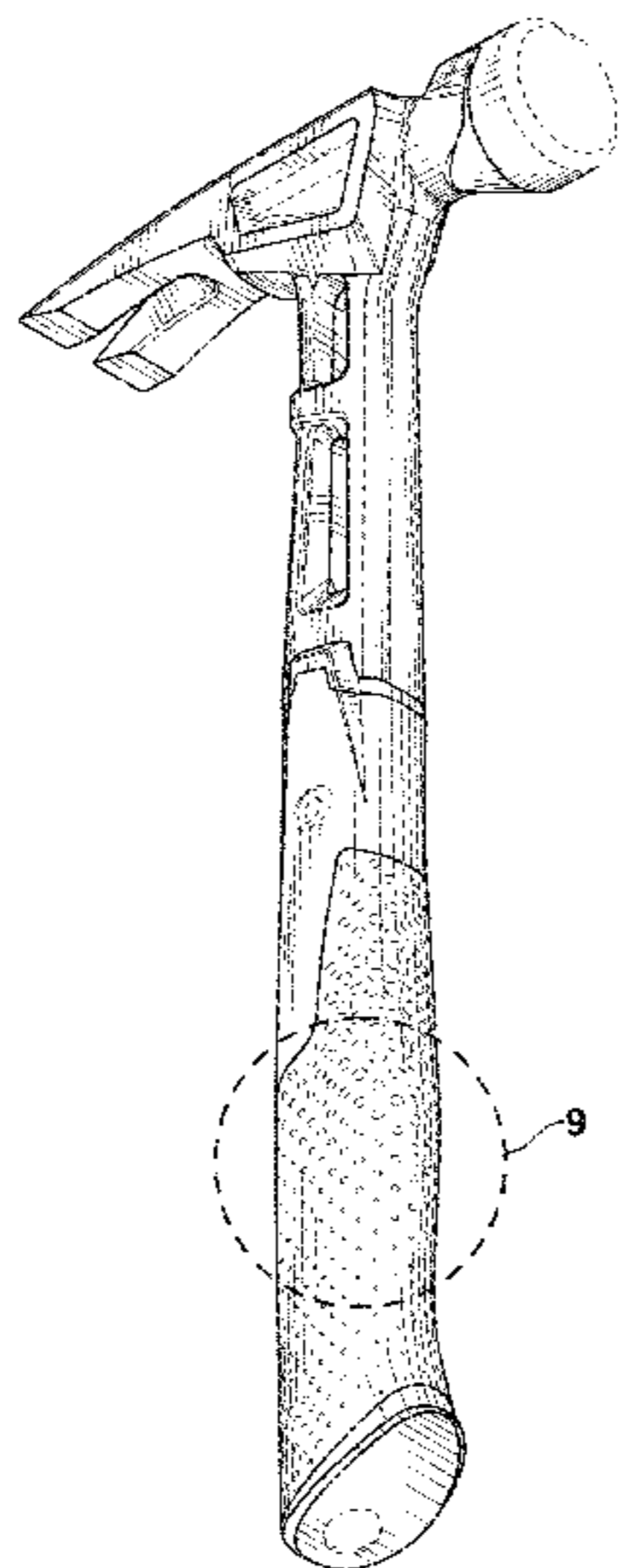
(56) **References Cited**

U.S. PATENT DOCUMENTS

277,183 A 5/1883 Wright
935,253 A 9/1909 Gill et al.

(Continued)

1 Claim, 5 Drawing Sheets



(56)

References Cited

U.S. PATENT DOCUMENTS

1,008,944 A 11/1911 Brendel
 1,102,935 A 7/1914 Lipoff
 1,279,075 A 9/1918 Bali
 1,321,371 A 11/1919 Huff
 1,357,451 A 11/1920 Groover
 1,369,499 A 2/1921 Thomson
 1,377,920 A 5/1921 Pearson
 D99,635 S 5/1936 Vaughan
 D115,256 S 6/1939 Vaughan
 2,319,253 A 5/1943 Neal
 2,470,865 A 5/1949 Rosengren
 2,504,093 A 4/1950 Toth
 D256,322 S 8/1980 Zabarte
 D263,369 S 3/1982 Kuo
 D266,141 S 9/1982 Nannen
 4,357,974 A 11/1982 Nannen
 D271,076 S 10/1983 Hillinger
 4,476,597 A 10/1984 Gobbi
 D288,628 S 3/1987 Farrand
 4,669,342 A 6/1987 Wilson
 D302,381 S 7/1989 Zabarte
 D302,933 S 8/1989 Zabarte
 D303,208 S * 9/1989 Chung D8/75
 D340,177 S 10/1993 Key
 D354,212 S 1/1995 Ronnholm et al.
 D356,480 S 3/1995 Ronnholm et al.
 D362,795 S 10/1995 Ronnholm
 D365,739 S * 1/1996 Weintraut D8/78
 5,551,323 A 9/1996 Beere et al.
 D378,656 S 4/1997 Maine
 5,647,080 A 7/1997 Martin
 D381,884 S * 8/1997 Spierer D8/75
 D393,776 S * 4/1998 Kessler D7/401.2
 D408,219 S 4/1999 Lai
 D410,362 S 6/1999 Lai
 D420,268 S * 2/2000 Coonrad D8/78
 D442,048 S * 5/2001 Coonrad D8/75
 D448,265 S * 9/2001 Chen D8/107
 D465,714 S * 11/2002 Stump D8/75
 D468,181 S * 1/2003 Hung D8/78
 D494,830 S * 8/2004 Konen D8/107
 6,860,053 B2 3/2005 Christiansen
 D519,348 S * 4/2006 Chen D8/75
 D519,813 S 5/2006 Hung
 D521,344 S 5/2006 Hung
 7,044,020 B2 5/2006 Rosenthal
 D566,510 S 4/2008 Nielsen
 7,380,483 B2 6/2008 Hu
 D600,523 S * 9/2009 Adams D8/75
 D605,922 S * 12/2009 Reinius D8/75
 7,631,582 B2 12/2009 Hu
 D619,442 S 7/2010 Chen
 D623,413 S 9/2010 Blanchard et al.
 D625,982 S 10/2010 Oyama

D628,870 S * 12/2010 Jerabek D8/78
 D628,871 S * 12/2010 Jerabek D8/80
 7,874,231 B2 1/2011 Hanlon
 D631,722 S 2/2011 Lamarre et al.
 D636,185 S 4/2011 Behar et al.
 D644,498 S 9/2011 Chen
 D645,252 S 9/2011 Blanchard et al.
 D648,202 S * 11/2011 Chen D8/80
 D648,610 S 11/2011 Paloheimo
 8,056,443 B2 11/2011 Hanlon
 D653,925 S * 2/2012 Hung D8/78
 D657,566 S 4/2012 Behar et al.
 D658,884 S 5/2012 Watanabe et al.
 D661,170 S 6/2012 Beggs
 D664,358 S 7/2012 Behar et al.
 D670,504 S 11/2012 Watanabe et al.
 D676,300 S 2/2013 Vanderbeek
 8,387,486 B2 3/2013 Hanlon
 D680,402 S * 4/2013 Descombes D8/75
 8,420,203 B2 4/2013 Sikora et al.
 D685,247 S 7/2013 Tatic
 8,770,548 B2 7/2014 Hanlon
 D710,615 S 8/2014 Pereira et al.
 D716,126 S * 10/2014 Dahlberg D8/75
 D730,134 S 5/2015 Youngren et al.
 D743,231 S * 11/2015 Chang D8/78
 D747,943 S * 1/2016 Hung D8/75
 D752,938 S * 4/2016 West D8/78
 D758,820 S * 6/2016 Nelson D8/80
 2004/0244117 A1 12/2004 Huang
 2007/0082750 A1 4/2007 Rose
 2008/0072702 A1 3/2008 Arnold
 2010/0199809 A1 * 8/2010 St. John B25D 1/04
 81/20
 2012/0048055 A1 3/2012 Krause et al.
 2014/0260812 A1 * 9/2014 Chang B25D 1/12
 81/22

FOREIGN PATENT DOCUMENTS

TW D142581 9/2011
 TW D148437 8/2012
 TW D153006 4/2013

OTHER PUBLICATIONS

Online Article, "Fiskars gets recognized for its new line of striking tools," Hardware Building Supply Dealer, retrieved Jun. 9, 2016 from <http://www.hbsdealer.com/article/fiskars-gets-recognized-its-new-line-strking-tools> ("posted" May 14, 2015).
 Online Article, "Fiskars isocore striking tools will absorb shocks and vibrations, alleviating the impact on the user," Mike Shouts, retrieved Jun. 9, 2016 from <http://mikeshouts.com/fiskars-isocore-striking-toos/> ("posted" May 15, 2015).

* cited by examiner

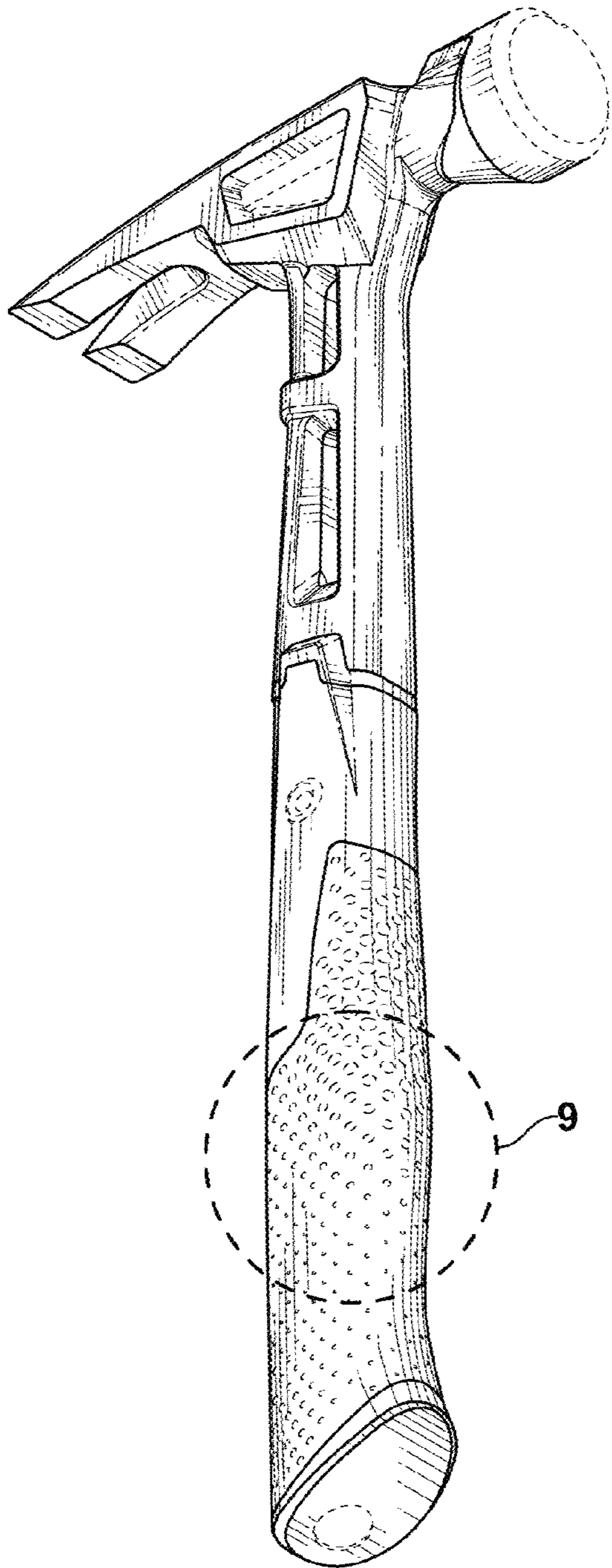


FIG. 1

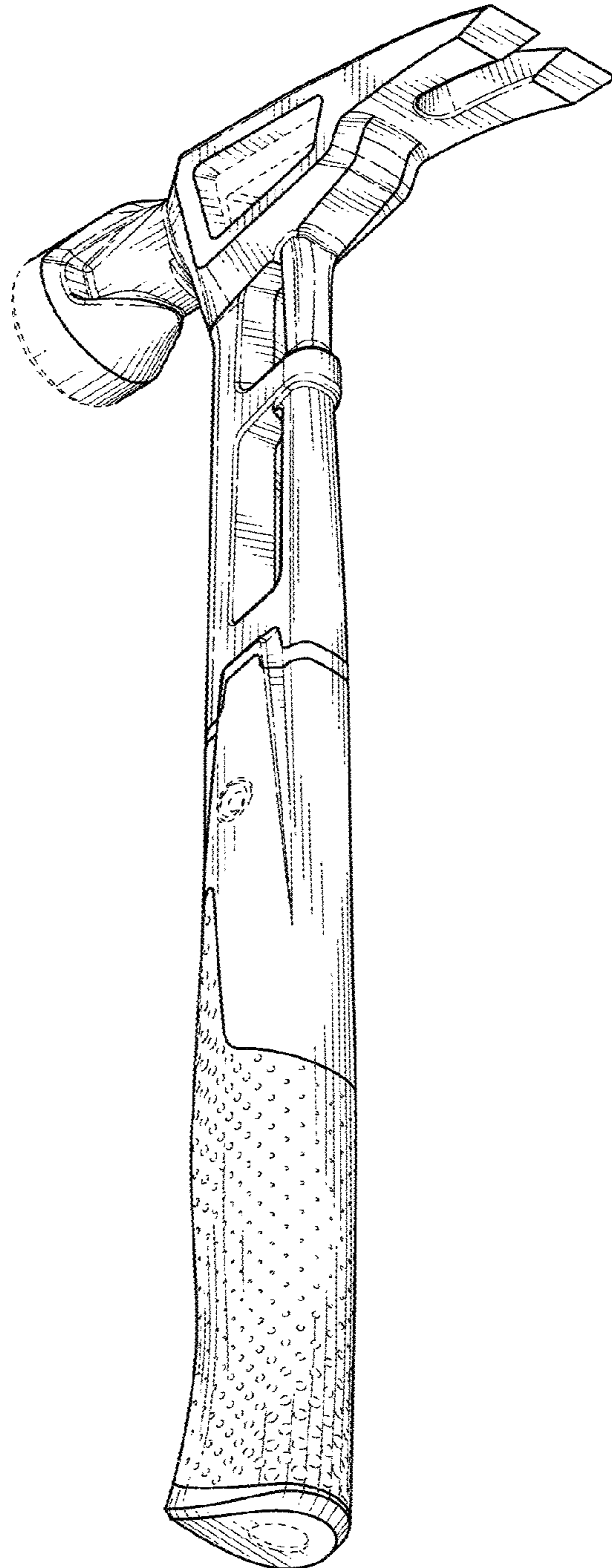


FIG. 2

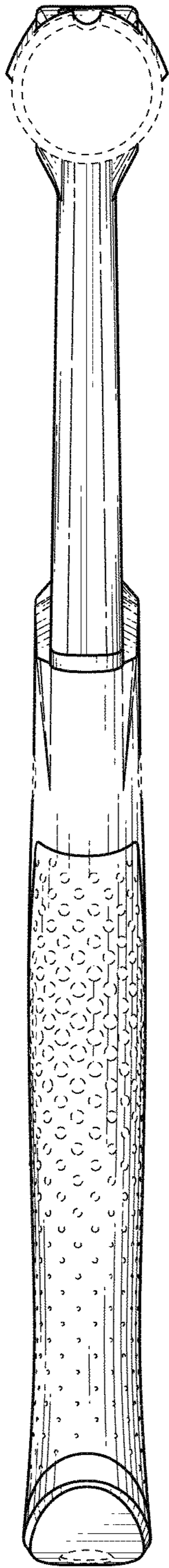


FIG. 3

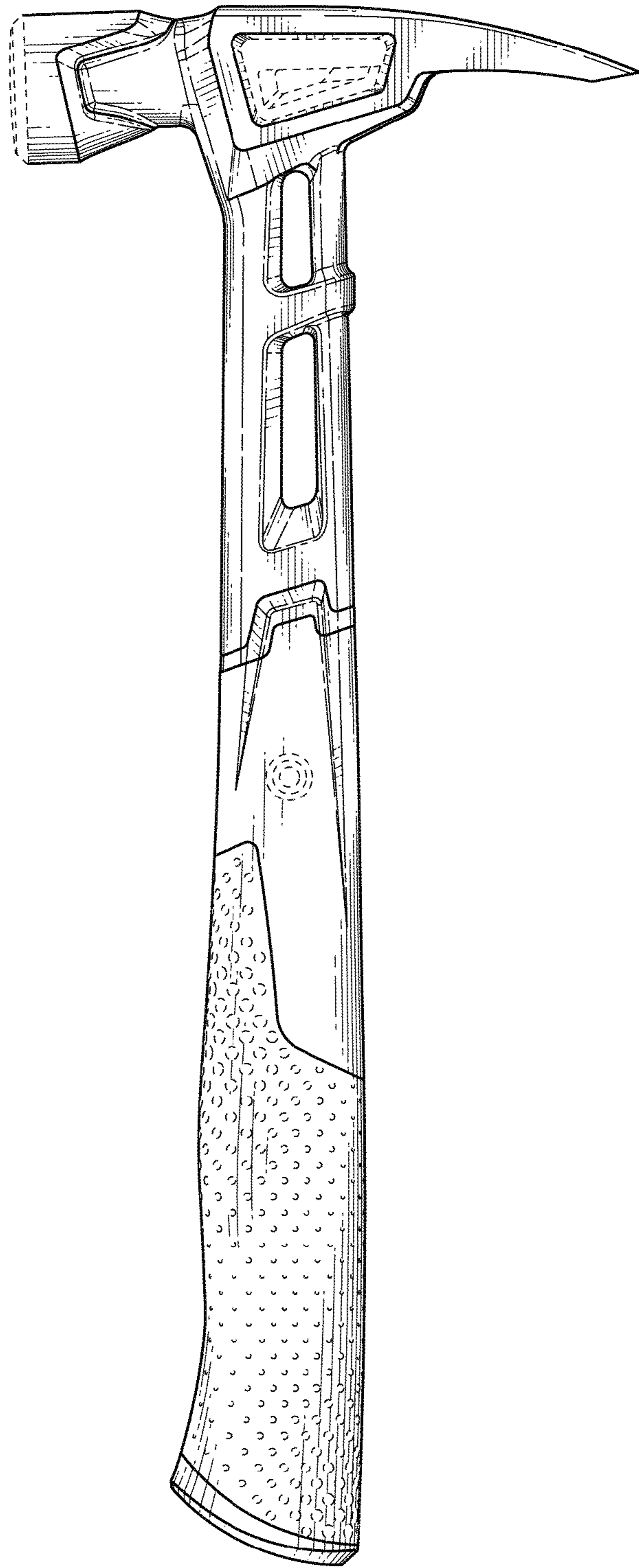


FIG. 4

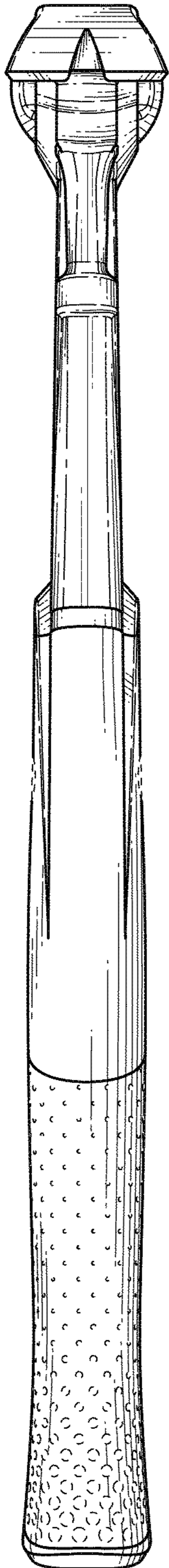


FIG. 5

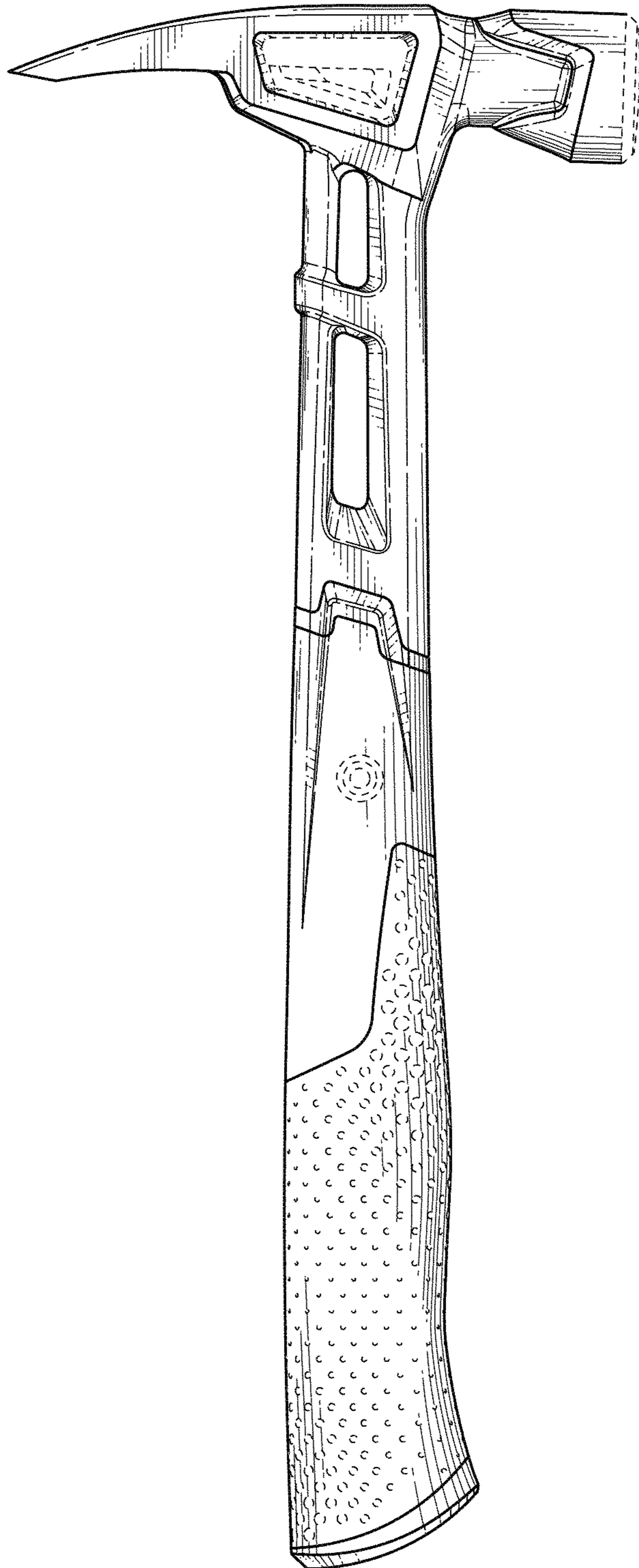


FIG. 6

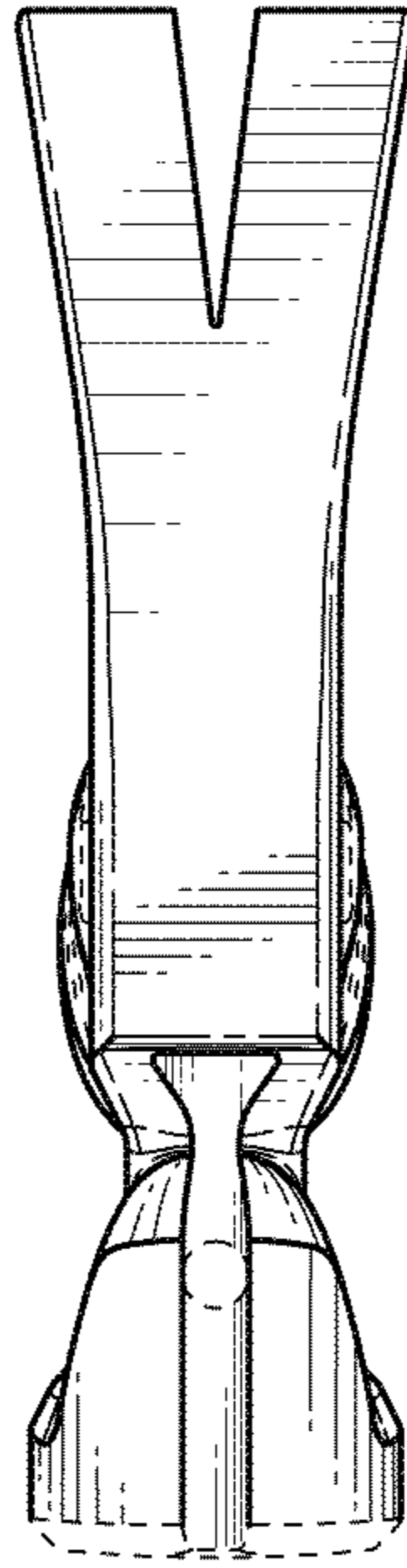


FIG. 7

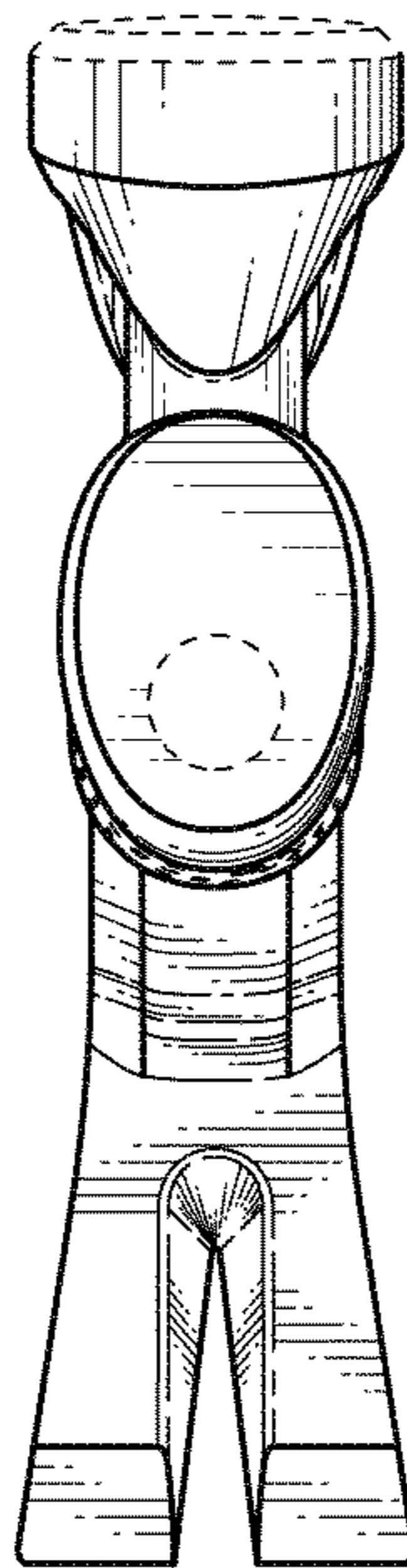


FIG. 8

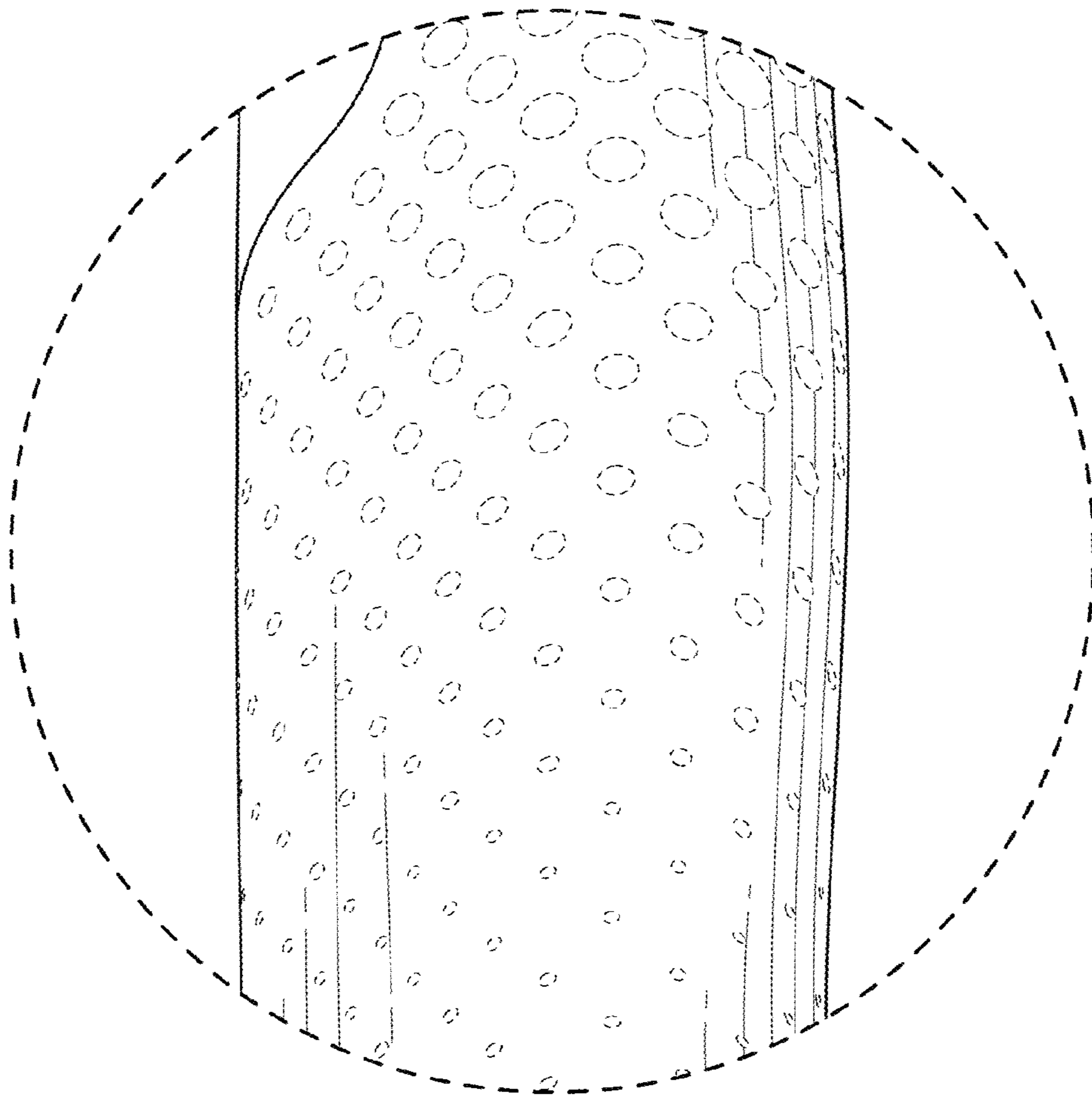


FIG.9