



US00D770250S

(12) **United States Design Patent** (10) **Patent No.:** **US D770,250 S**
Fischer (45) **Date of Patent:** **** Nov. 1, 2016**

(54) **COMPACT WRENCH INCORPORATING A CARABINER CLIP**

D705,034 S * 5/2014 Connell D8/105
D726,517 S * 4/2015 Fischer D8/17
D733,516 S * 7/2015 Kelleghan D8/105

(71) Applicant: **Brett William Fischer**, Lee's Summit, MO (US)

* cited by examiner

(72) Inventor: **Brett William Fischer**, Lee's Summit, MO (US)

Primary Examiner — Randall Gholson

(**) Term: **15 Years**

(57) **CLAIM**

(21) Appl. No.: **29/545,697**

The ornamental design for a compact wrench incorporating a carabiner clip, as shown and described.

(22) Filed: **Nov. 15, 2015**

(51) **LOC (10) Cl.** **08-05**

(52) **U.S. Cl.**
USPC **D8/17**

DESCRIPTION

(58) **Field of Classification Search**
USPC D8/367, 356, 371, 373, 354, 355, 349,
D8/14, 16, 17, 21; D6/323; D3/24;
248/215, 301, 339, 349.1; 160/349.2;
24/265 H, 265 R, 599.1, 599.8, 113 R,
24/573.5; 294/82.18; 29/525.1, 45.3;
223/106; D14/432, 140, 217
CPC A45F 3/00; A63B 27/00
See application file for complete search history.

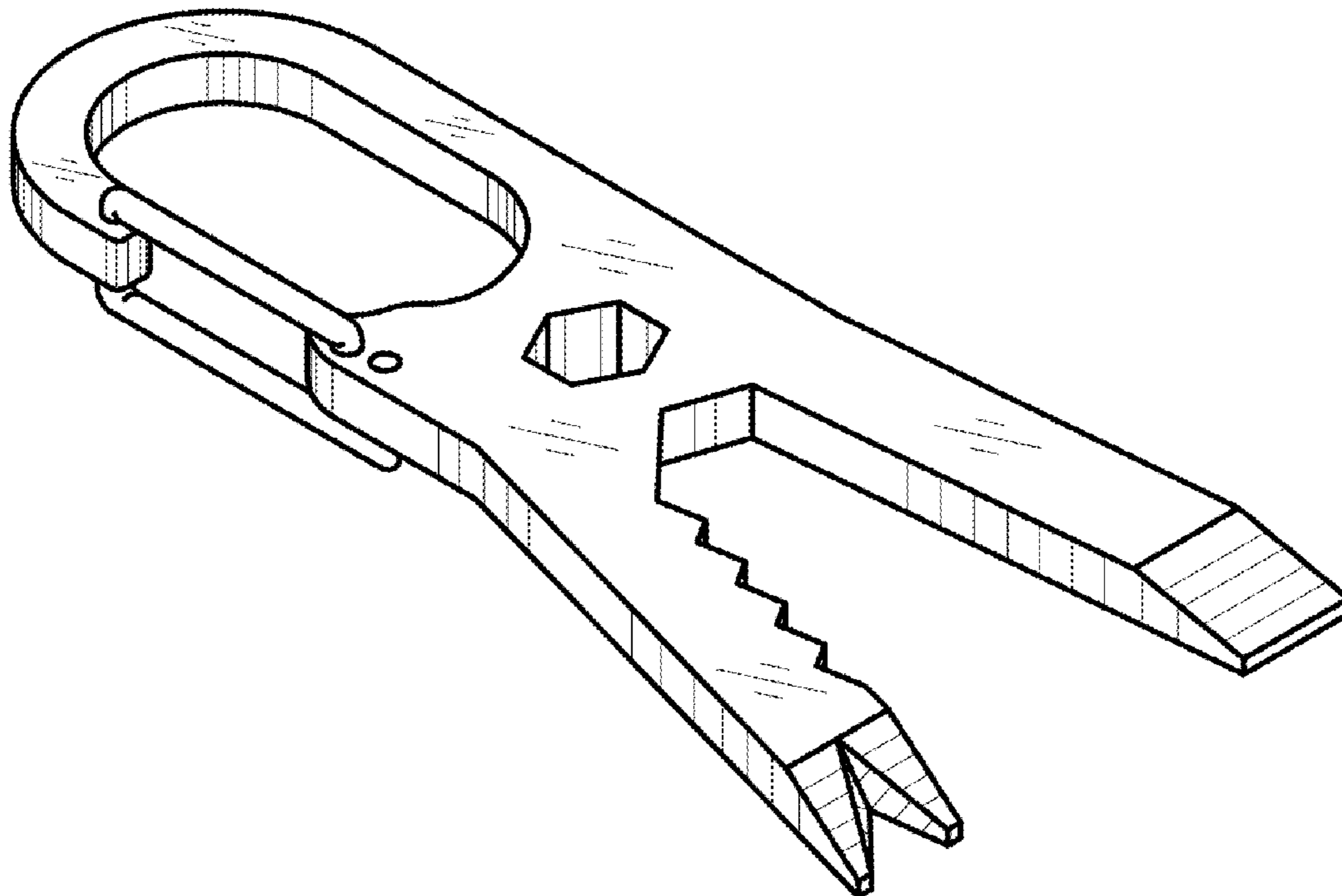
FIG. 1 is a top perspective view of a compact wrench incorporating a carabiner clip;
FIG. 2 is a top plan view thereof,
FIG. 3 is a bottom plan view thereof;
FIG. 4 is a front elevation view thereof;
FIG. 5 is a back elevation view thereof;
FIG. 6 is a left elevation view thereof;
FIG. 7 is a right side elevation view thereof; and,
FIG. 8 is an environmental drawing showing the wrench opening a bottle.
The broken lines showing a bottle and bottle cap depict environmental subject matter only and form no part of the claimed design.

(56) **References Cited**

U.S. PATENT DOCUMENTS

D414,995 S * 10/1999 Hsieh D8/17
6,070,497 A * 6/2000 Farelli B67B 7/16
81/3.09

1 Claim, 3 Drawing Sheets



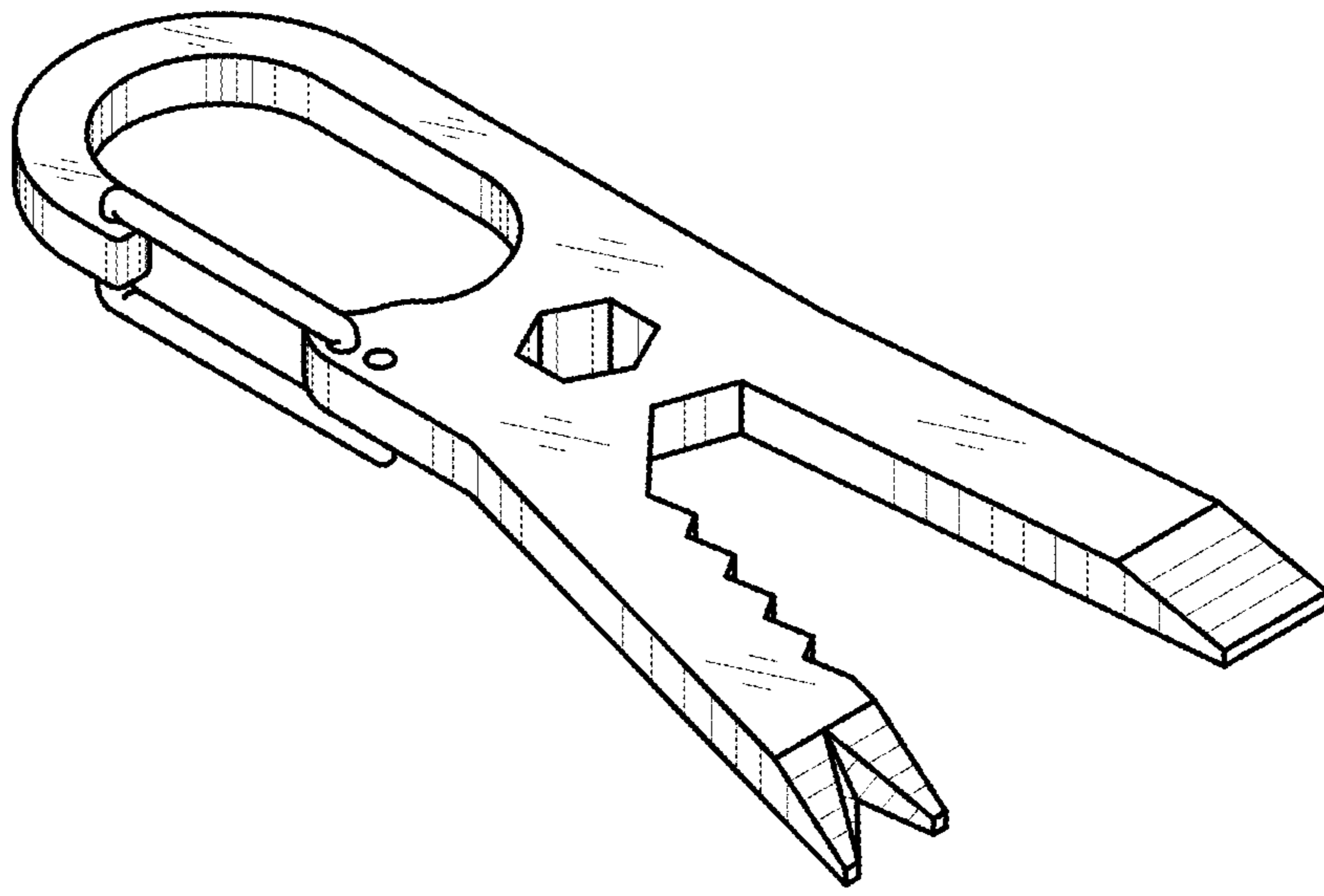


Fig. 1

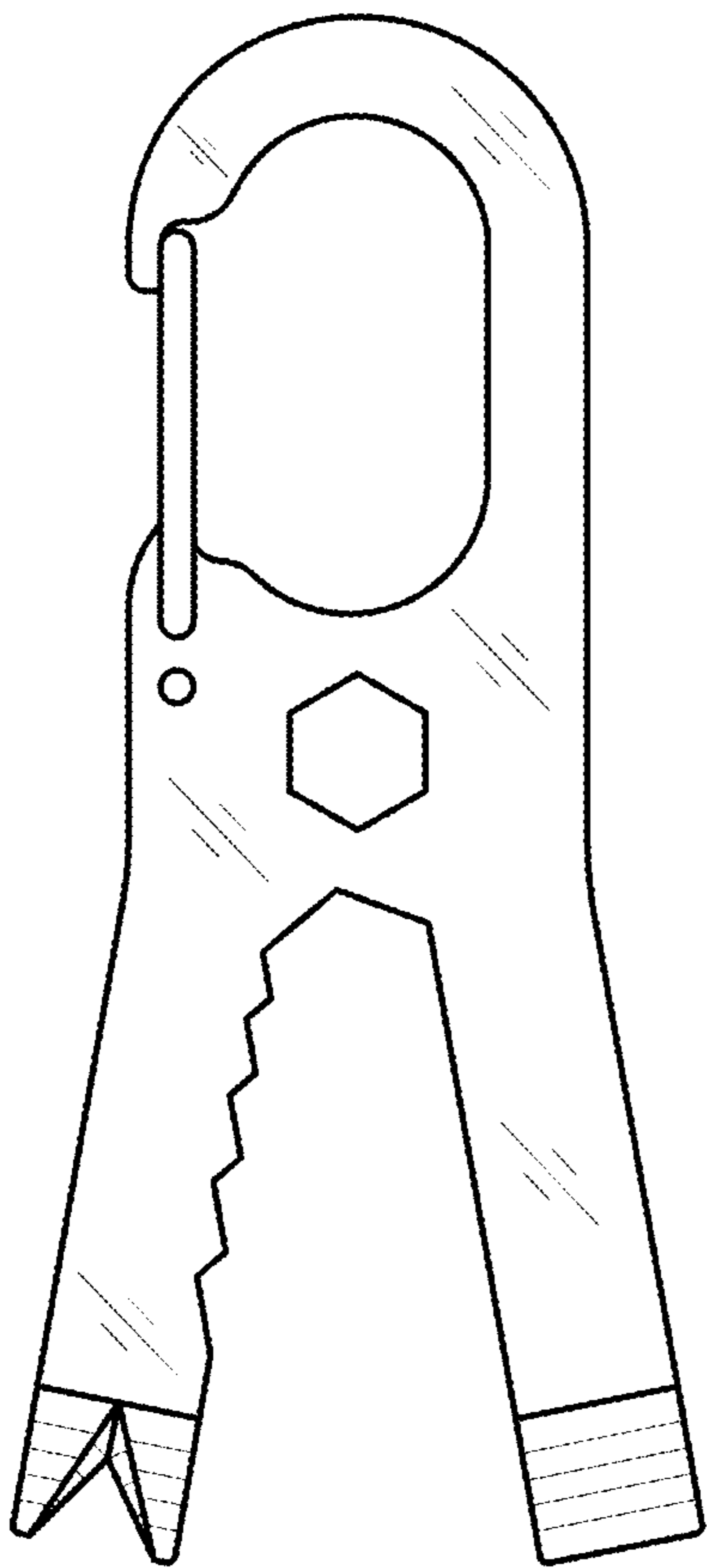


Fig. 2

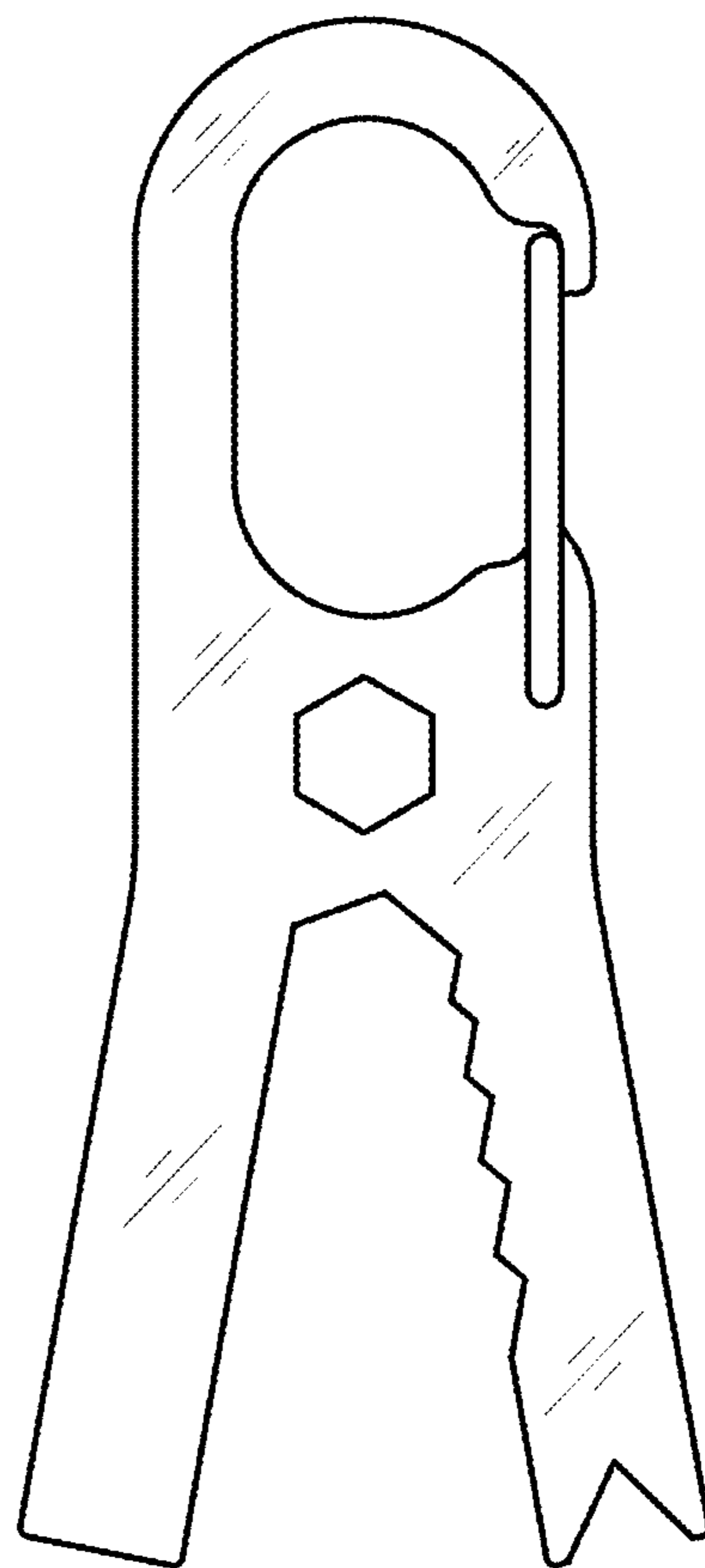


Fig. 3

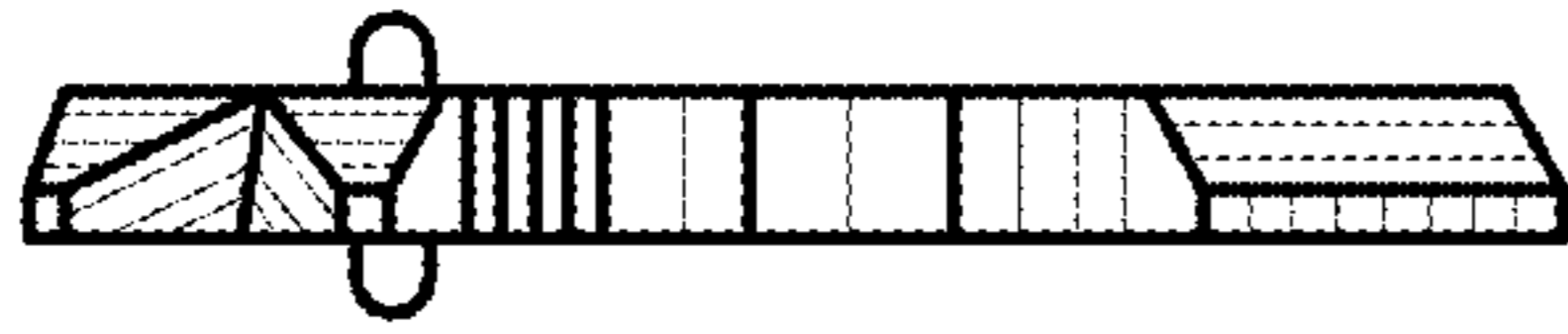


Fig. 4

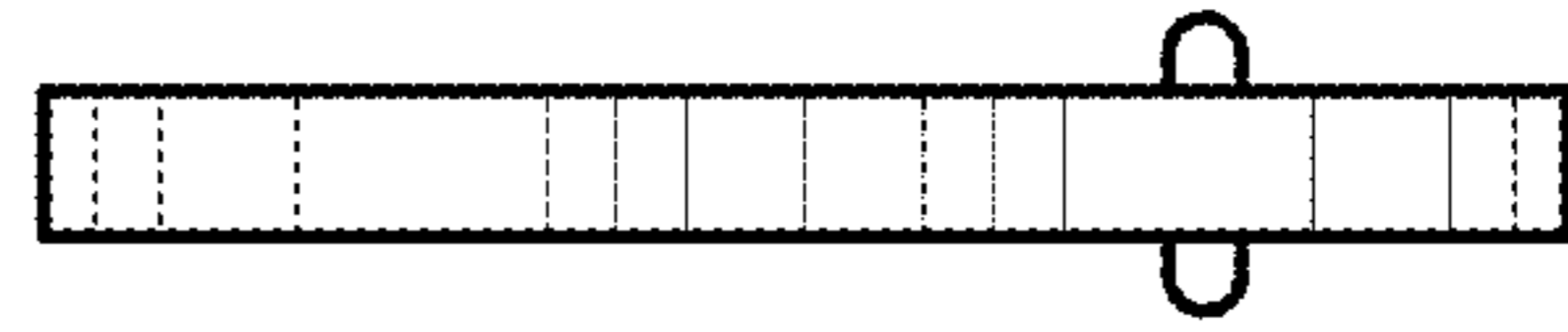


Fig. 5

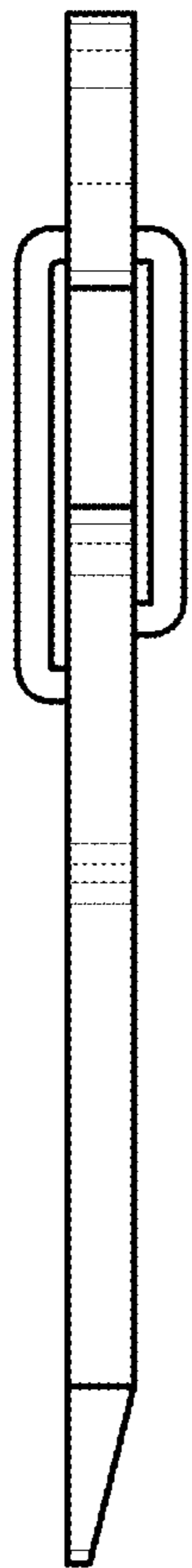


Fig. 6

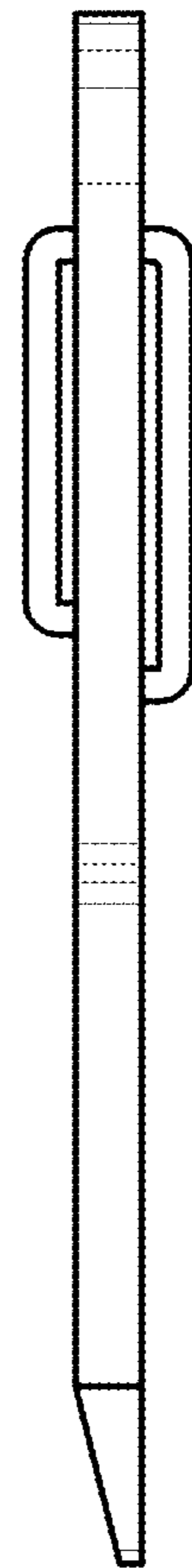


Fig. 7

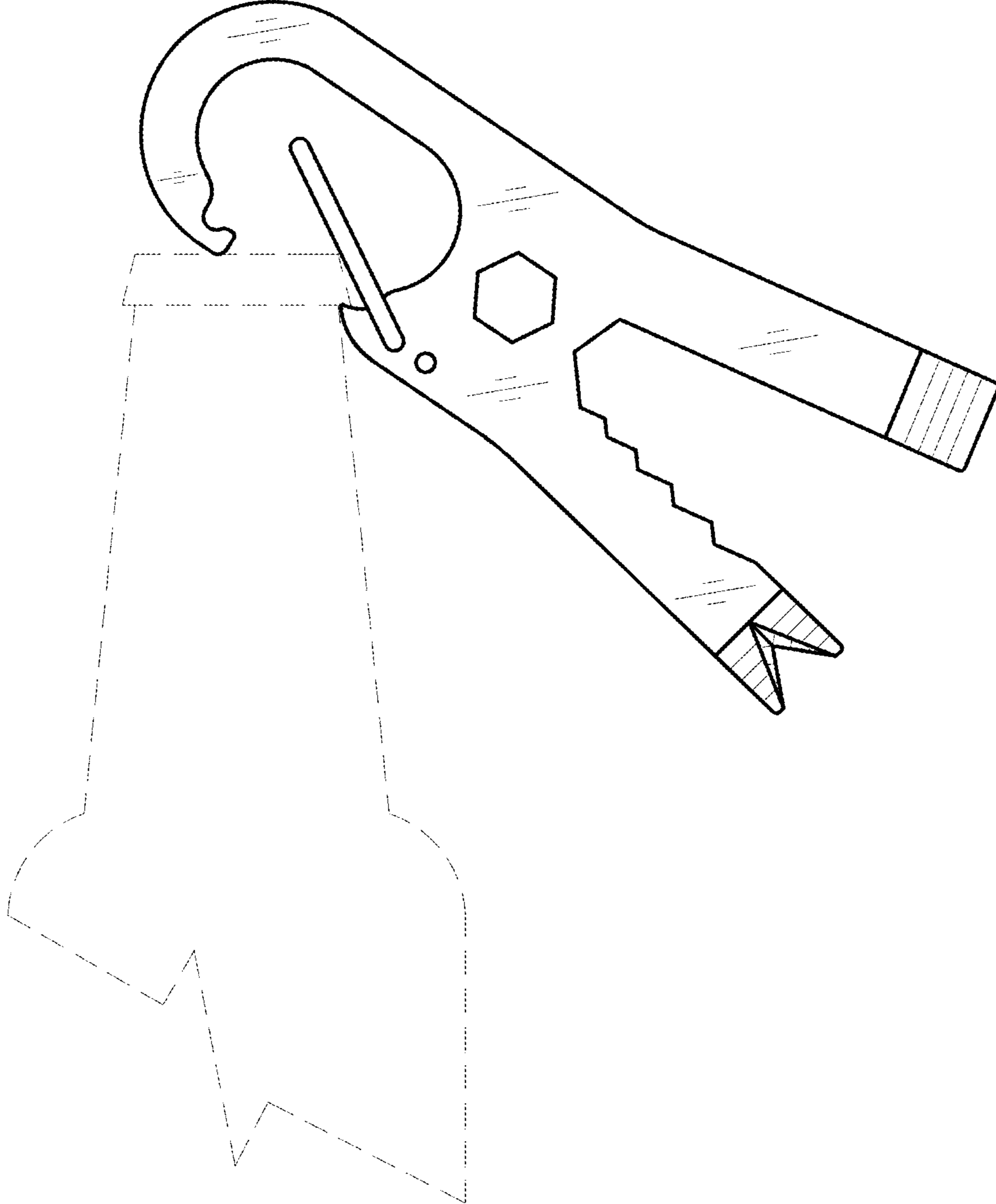


Fig. 8