



US00D770247S

(12) **United States Design Patent** (10) **Patent No.:** **US D770,247 S**
Repac (45) **Date of Patent:** **** Nov. 1, 2016**

(54) **FOOD SLICER PART**

(71) Applicant: **Genius GmbH**, Limburg (DE)

(72) Inventor: **Cedomir Repac**, Brechen (DE)

(73) Assignee: **GENIUS GMBH**, Limburg (DE)

(**) Term: **15 Years**

(21) Appl. No.: **29/526,744**

(22) Filed: **May 13, 2015**

Related U.S. Application Data

(63) Continuation of application No. 29/504,618, filed on Oct. 8, 2014.

(30) **Foreign Application Priority Data**

- Apr. 8, 2014 (EM) 002442400-0001
- Apr. 8, 2014 (EM) 002442400-0002
- Apr. 8, 2014 (EM) 002442400-0003
- Apr. 8, 2014 (EM) 002442400-0004
- Apr. 8, 2014 (EM) 002442400-0005
- Apr. 8, 2014 (EM) 002442400-0006
- Apr. 8, 2014 (EM) 002442400-0007
- Apr. 8, 2014 (EM) 002442400-0008
- Apr. 8, 2014 (EM) 002442400-0009
- Apr. 8, 2014 (EM) 002442400-0010
- Apr. 8, 2014 (EM) 002442400-0011
- Apr. 8, 2014 (EM) 002442400-0012
- Apr. 8, 2014 (EM) 002442400-0013
- Apr. 8, 2014 (EM) 002442400-0014
- Apr. 8, 2014 (EM) 002442400-0015
- Apr. 8, 2014 (EM) 002442400-0016
- Apr. 8, 2014 (EM) 002442400-0017
- Apr. 8, 2014 (EM) 002442400-0018
- Apr. 8, 2014 (EM) 002442400-0019
- Apr. 8, 2014 (EM) 002442400-0020
- Apr. 8, 2014 (EM) 002442400-0021

(51) **LOC (10) Cl.** **07-04**

(52) **U.S. Cl.**
USPC **D7/672**

(58) **Field of Classification Search**

USPC D7/672, 703, 675, 513, 629, 357, 396.1,
D7/528, 538; 249/127; 220/793

CPC A47G 19/30; B65D 1/34
See application file for complete search history.

(56) **References Cited**

U.S. PATENT DOCUMENTS

- 4,412,630 A * 11/1983 Daenen B65D 43/0218
220/792
- 4,819,824 A * 4/1989 Longbottom B65D 43/0206
220/266
- D366,397 S * 1/1996 Zimmerman D7/538
- D419,829 S * 2/2000 Wilson D7/629
- D427,063 S * 6/2000 May D9/425

(Continued)

Primary Examiner — Rosemary K Tarcza

Assistant Examiner — James Thorn, Sr.

(74) *Attorney, Agent, or Firm* — Leydig, Voit & Mayer, Ltd.

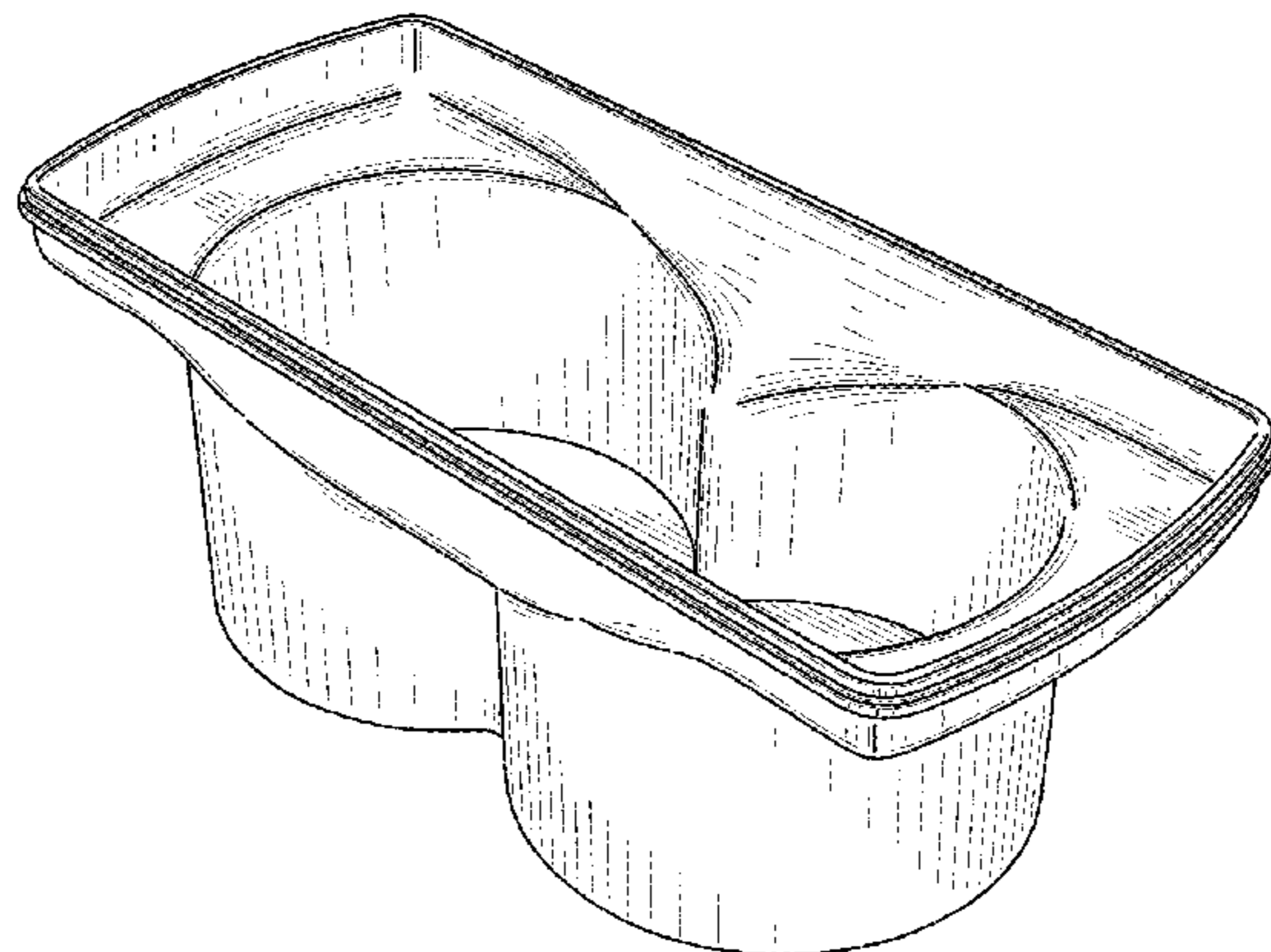
(57) **CLAIM**

The ornamental design for a food slicer part, as shown and described.

DESCRIPTION

FIG. 1 is a top front left perspective view of a food slicer part showing my new design;
FIG. 2 is a right side elevational view thereof, the left side elevational view being the mirror image of the right side elevational view;
FIG. 3 is a top plan top view thereof;
FIG. 4 is a bottom plan view thereof; and,
FIG. 5 is a front elevational view thereof, the rear elevational view being the mirror image of the front elevational view.
Any broken lines in the drawings indicate unclaimed subject matter and/or environment and form no part of the claimed design.

1 Claim, 2 Drawing Sheets



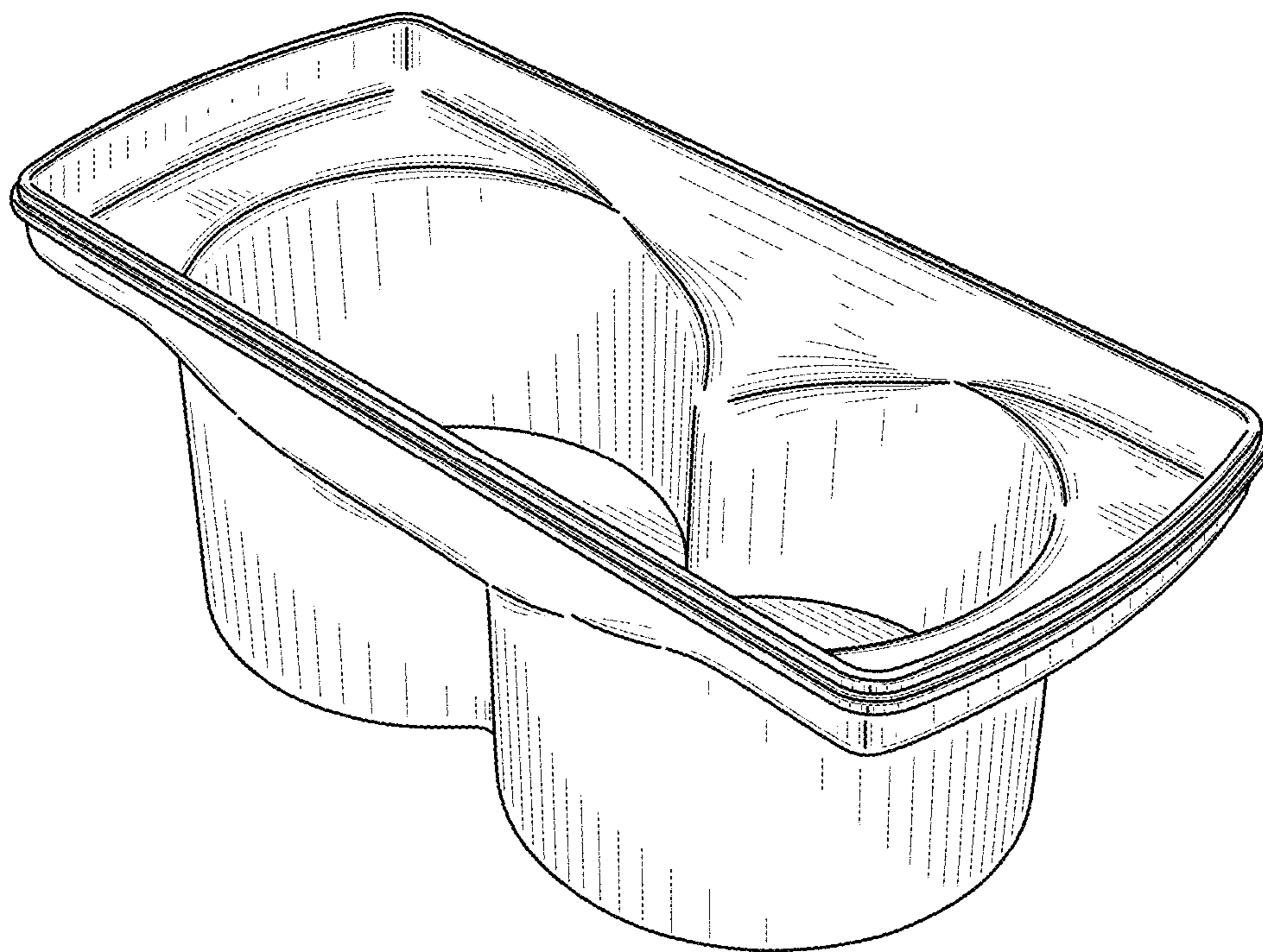


FIG. 1

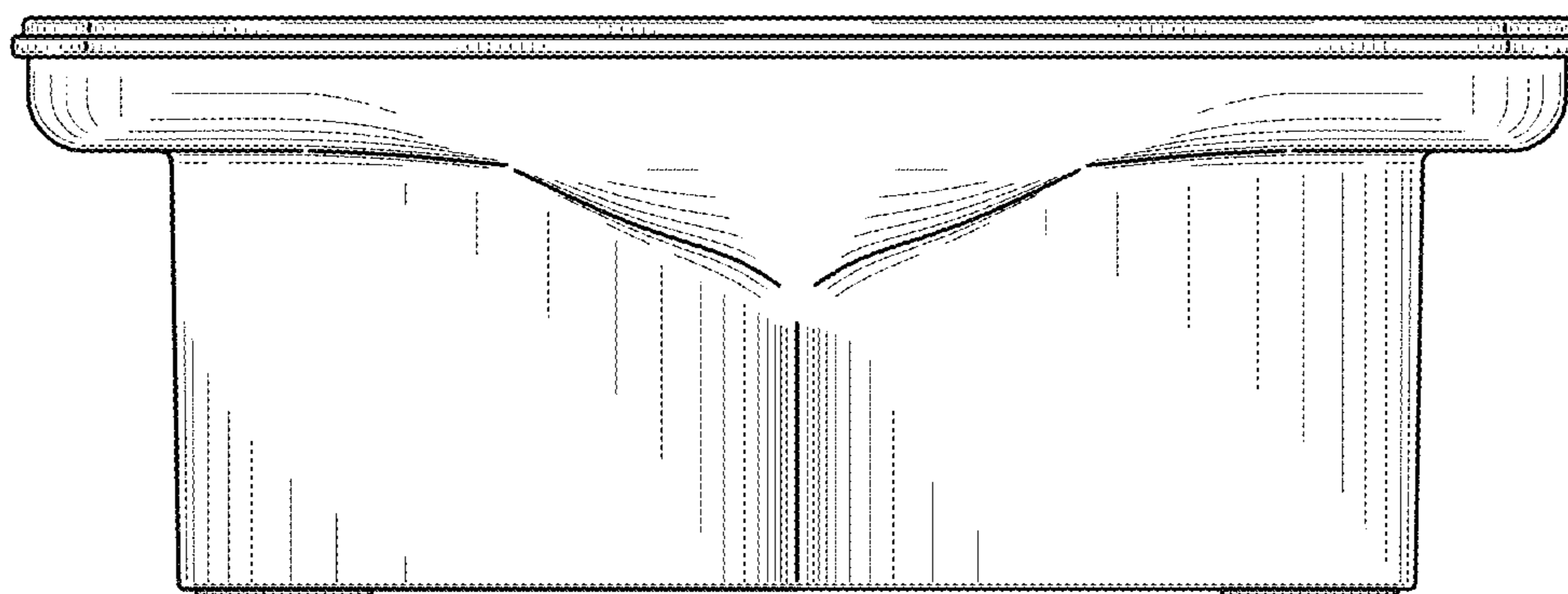


FIG. 2

FIG. 3

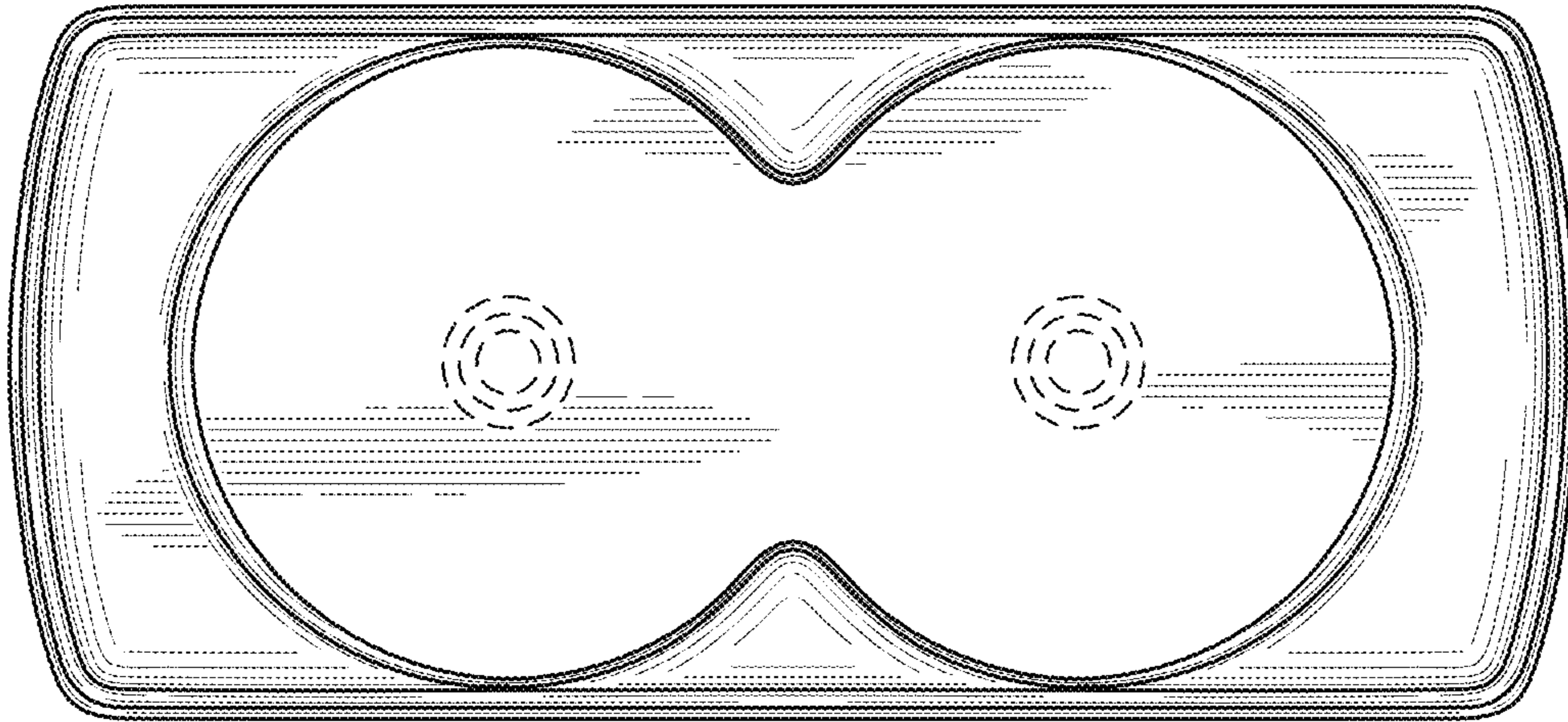


FIG. 4

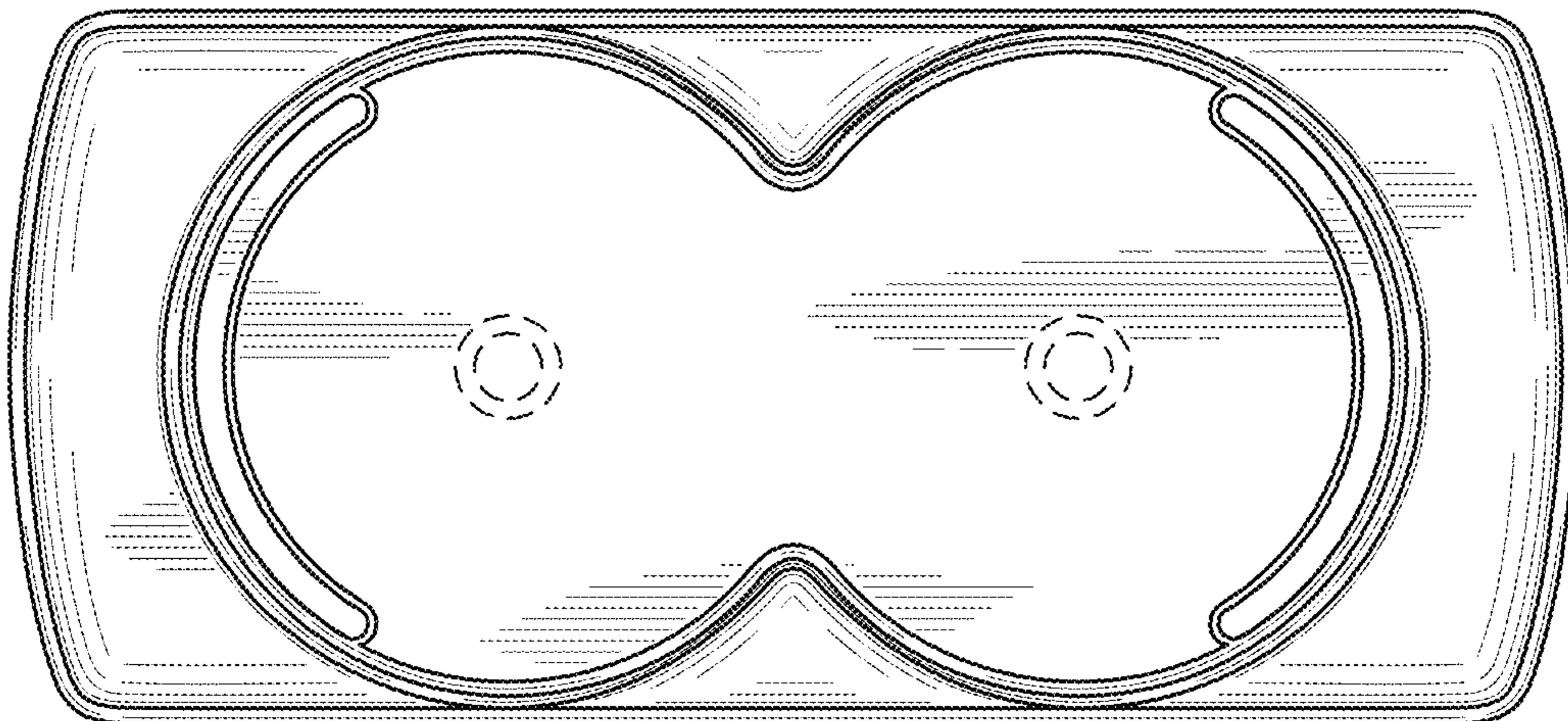


FIG. 5

