



US00D770246S

(12) **United States Design Patent** (10) **Patent No.:** **US D770,246 S**
Repac (45) **Date of Patent:** **** Nov. 1, 2016**

(54) **FOOD SLICER**

(71) Applicant: **Genius GmbH**, Limburg (DE)

(72) Inventor: **Cedomir Repac**, Brechen (DE)

(73) Assignee: **GENIUS GMBH**, Limburg (DE)

(**) Term: **15 Years**

(21) Appl. No.: **29/526,743**

(22) Filed: **May 13, 2015**

Related U.S. Application Data

(63) Continuation of application No. 29/504,618, filed on Oct. 8, 2014.

(30) **Foreign Application Priority Data**

- Apr. 8, 2014 (EM) 002442400-0001
- Apr. 8, 2014 (EM) 002442400-0002
- Apr. 8, 2014 (EM) 002442400-0003
- Apr. 8, 2014 (EM) 002442400-0004
- Apr. 8, 2014 (EM) 002442400-0005
- Apr. 8, 2014 (EM) 002442400-0006
- Apr. 8, 2014 (EM) 002442400-0007
- Apr. 8, 2014 (EM) 002442400-0008
- Apr. 8, 2014 (EM) 002442400-0009
- Apr. 8, 2014 (EM) 002442400-0010
- Apr. 8, 2014 (EM) 002442400-0011
- Apr. 8, 2014 (EM) 002442400-0012
- Apr. 8, 2014 (EM) 002442400-0013
- Apr. 8, 2014 (EM) 002442400-0014
- Apr. 8, 2014 (EM) 002442400-0015
- Apr. 8, 2014 (EM) 002442400-0016
- Apr. 8, 2014 (EM) 002442400-0017
- Apr. 8, 2014 (EM) 002442400-0018
- Apr. 8, 2014 (EM) 002442400-0019
- Apr. 8, 2014 (EM) 002442400-0020
- Apr. 8, 2014 (EM) 002442400-0021

(51) **LOC (10) Cl.** **07-04**

(52) **U.S. Cl.**
USPC **D7/672**

(58) **Field of Classification Search**

USPC D7/629, 672-673, 669, 693; 30/124;
83/167, 432, 853; 99/596; 241/100,
241/273.1
CPC A21C 15/04; B26D 1/00; B26D 1/01;
B26D 3/26
See application file for complete search history.

(56) **References Cited**

U.S. PATENT DOCUMENTS

D326,388 S * 5/1992 Boerner D7/673
D354,886 S * 1/1995 Diefenbach D7/678

(Continued)

OTHER PUBLICATIONS

U.S. Appl. No. 29/524,045, filed Apr. 16, 2015.

(Continued)

Primary Examiner — Rosemary K Tarcza

Assistant Examiner — James Thorn, Sr.

(74) *Attorney, Agent, or Firm* — Leydig, Voit & Mayer, Ltd.

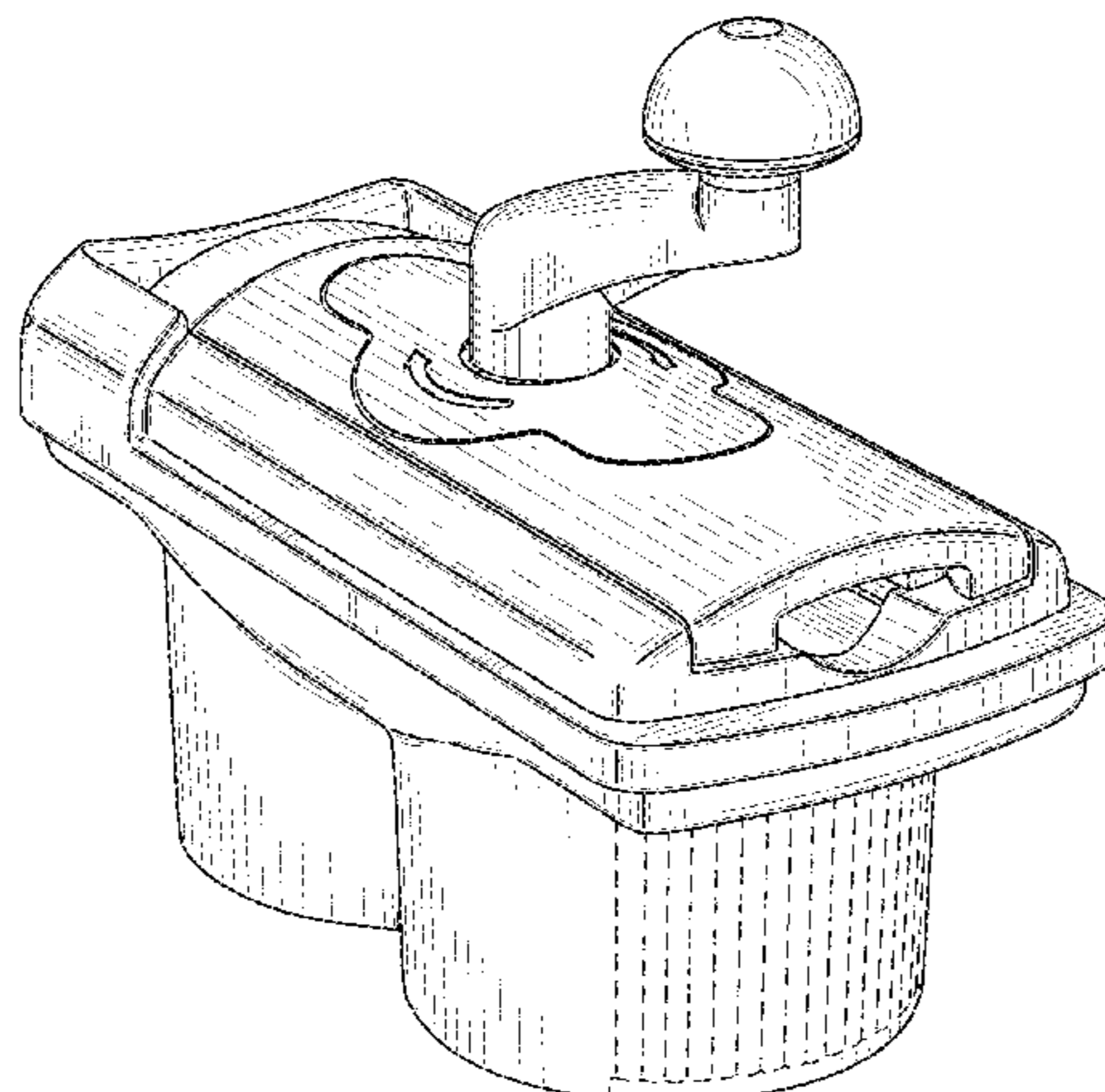
(57) **CLAIM**

The ornamental design for a food slicer, as shown and described.

DESCRIPTION

FIG. 1 is a top front left perspective view of a food slicer showing my new design;
FIG. 2 is a right side elevational view thereof;
FIG. 3 is a rear elevational view thereof;
FIG. 4 is a top plan top view thereof;
FIG. 5 is a front elevational view thereof; and,
FIG. 6 is a left side elevational view thereof.
Any broken lines in the drawings indicate unclaimed subject matter and/or environment and form no part of the claimed design.

1 Claim, 6 Drawing Sheets



(56)

References Cited

U.S. PATENT DOCUMENTS

5,692,424 A * 12/1997 Wallace A47J 36/00
83/167
D505,301 S * 5/2005 Wong D7/673
D512,609 S * 12/2005 Kaposi D7/672
D535,161 S * 1/2007 So D7/673
D548,547 S * 8/2007 Kaposi D7/672
D581,220 S * 11/2008 Boerner D7/673
D618,517 S * 6/2010 Wong D7/672
D625,568 S * 10/2010 Wong D7/673
7,992,476 B2 * 8/2011 Kaposi B26B 5/008
30/124
D708,917 S * 7/2014 Wong D7/672
D729,594 S * 5/2015 Stewart D7/673
D730,704 S * 6/2015 Repac D7/672
D744,294 S * 12/2015 Linder D7/629
D744,295 S * 12/2015 Linder D7/629
D744,793 S * 12/2015 Lipscomb D7/673
2004/0217219 A1 * 11/2004 Bitonto A47J 43/255
241/95

2006/0090352 A1 * 5/2006 Kaposi B26B 5/008
30/299
2007/0089577 A1 * 4/2007 Wong B26D 3/283
83/13
2009/0078100 A1 * 3/2009 Repac B26D 1/553
83/425.3
2010/0031830 A1 * 2/2010 Engdahl B26D 1/553
99/538
2010/0037471 A1 * 2/2010 Repac B26D 3/283
30/279.6

OTHER PUBLICATIONS

U.S. Appl. No. 29/524,642, filed Apr. 22, 2015.
U.S. Appl. No. 29/526,739, filed May 13, 2015.
U.S. Appl. No. 29/526,047, filed May 6, 2015.
U.S. Appl. No. 29/526,041, filed May 6, 2015.
U.S. Appl. No. 29/526,744, filed May 13, 2015.
U.S. Appl. No. 29/504,618, filed Oct. 8, 2014.

* cited by examiner

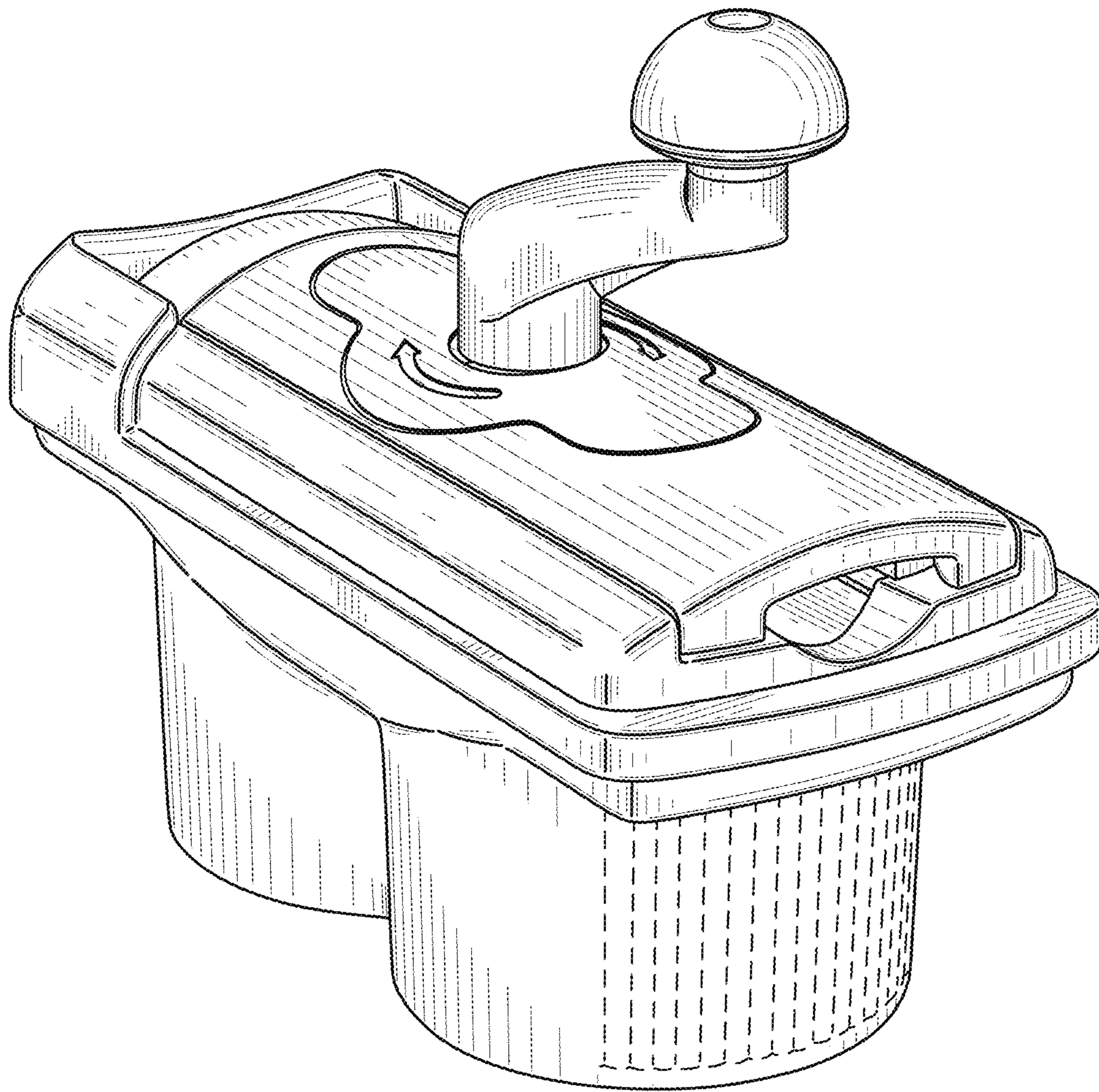


FIG. 1

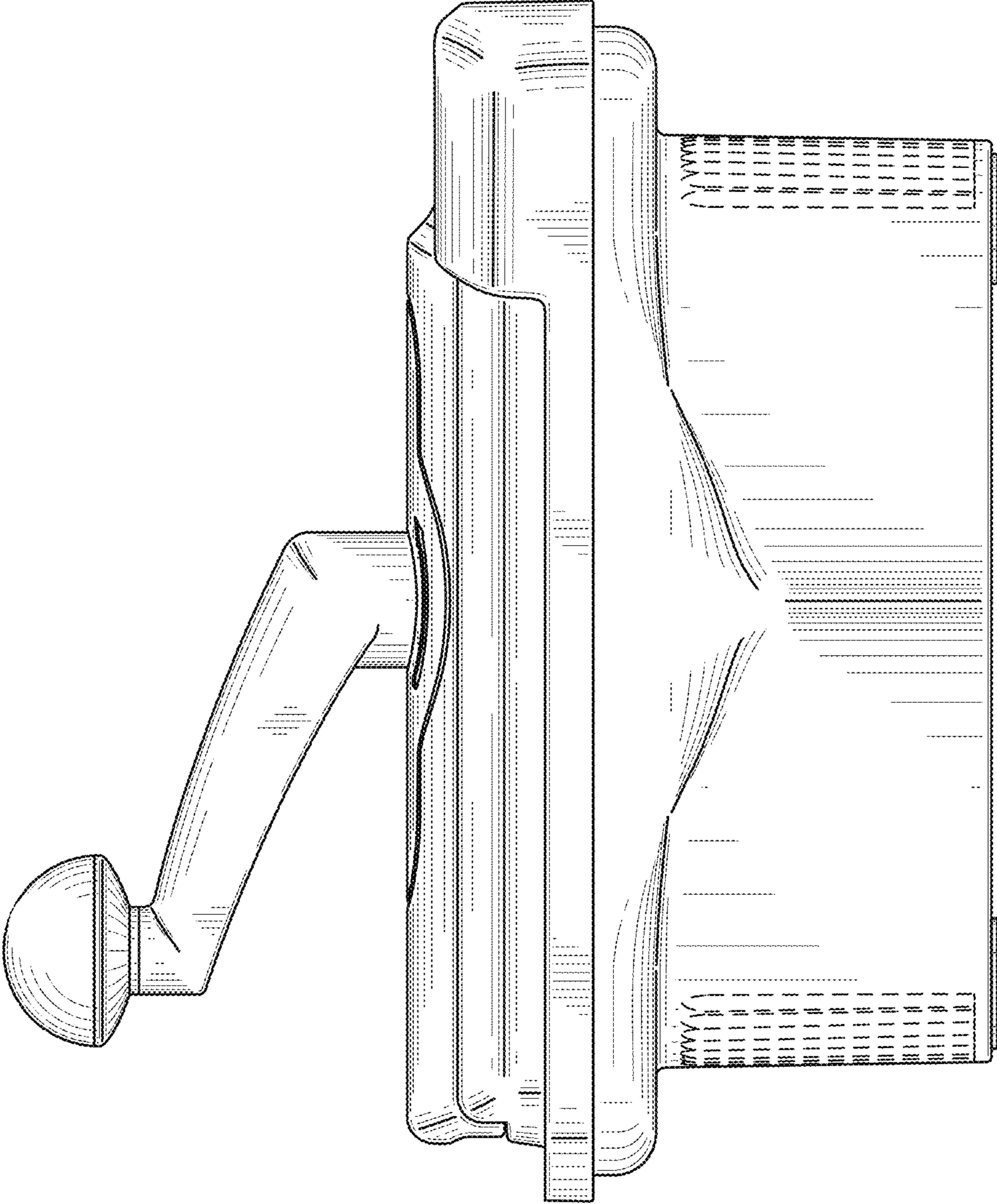


FIG. 2

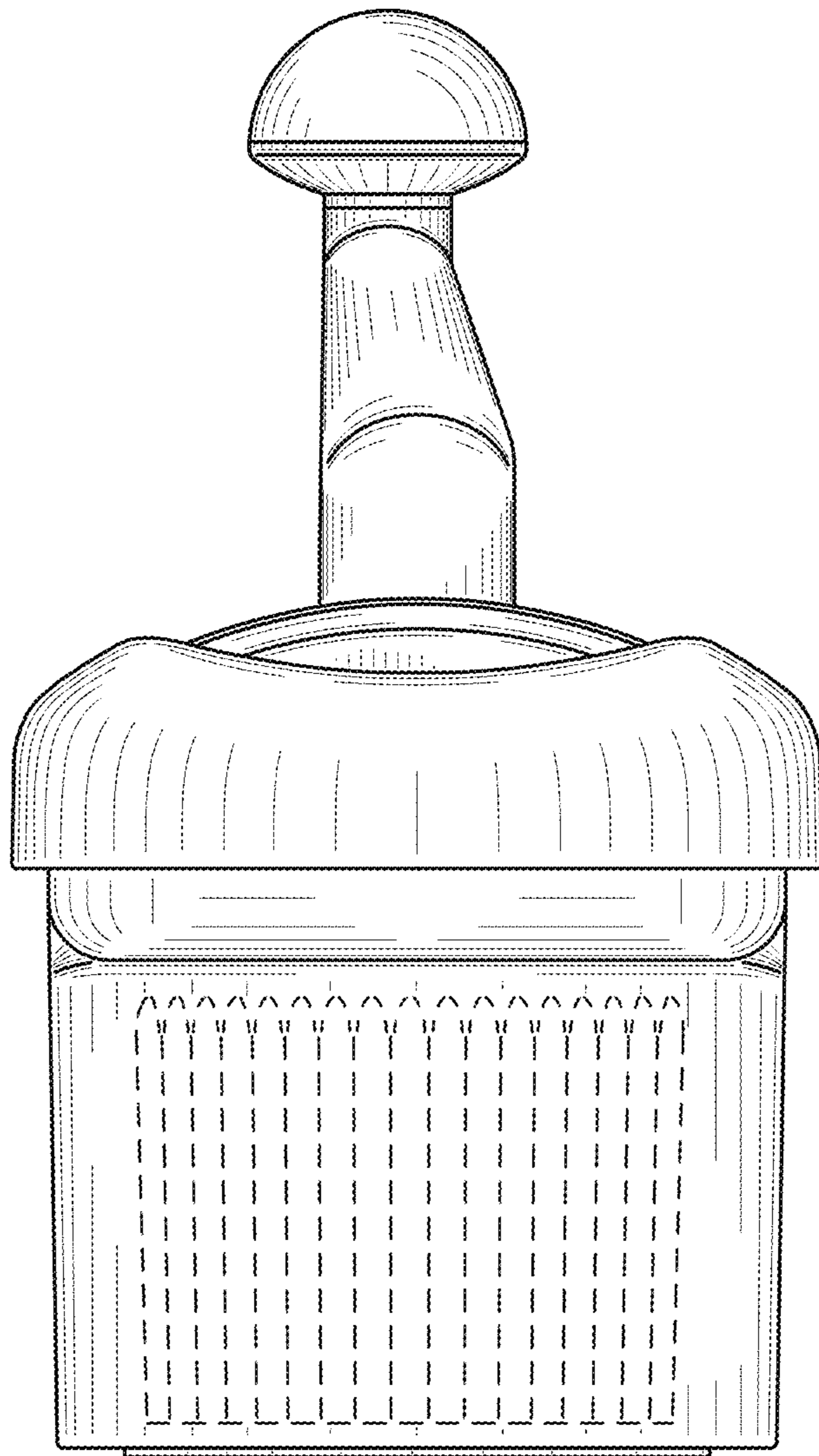


FIG. 3

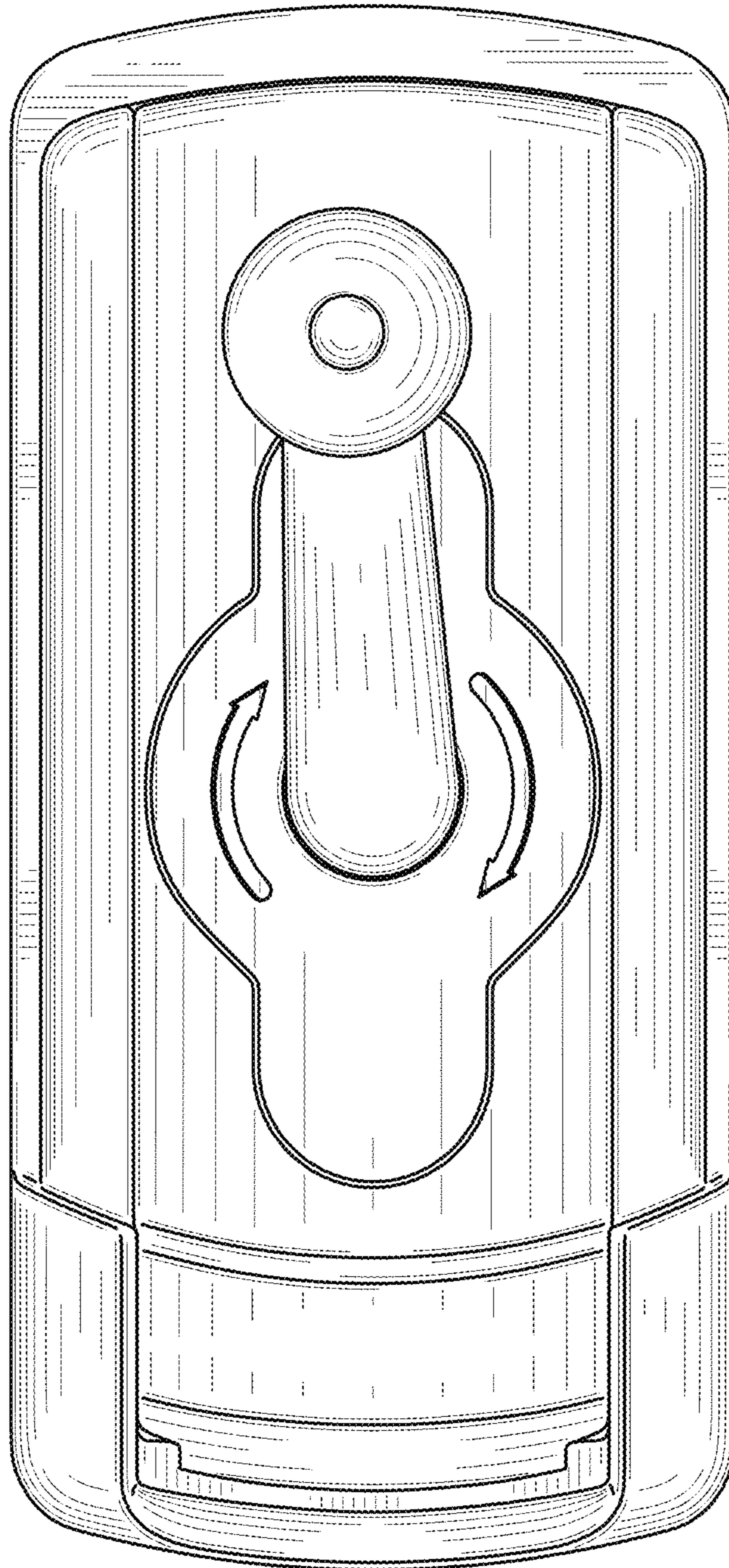


FIG. 4

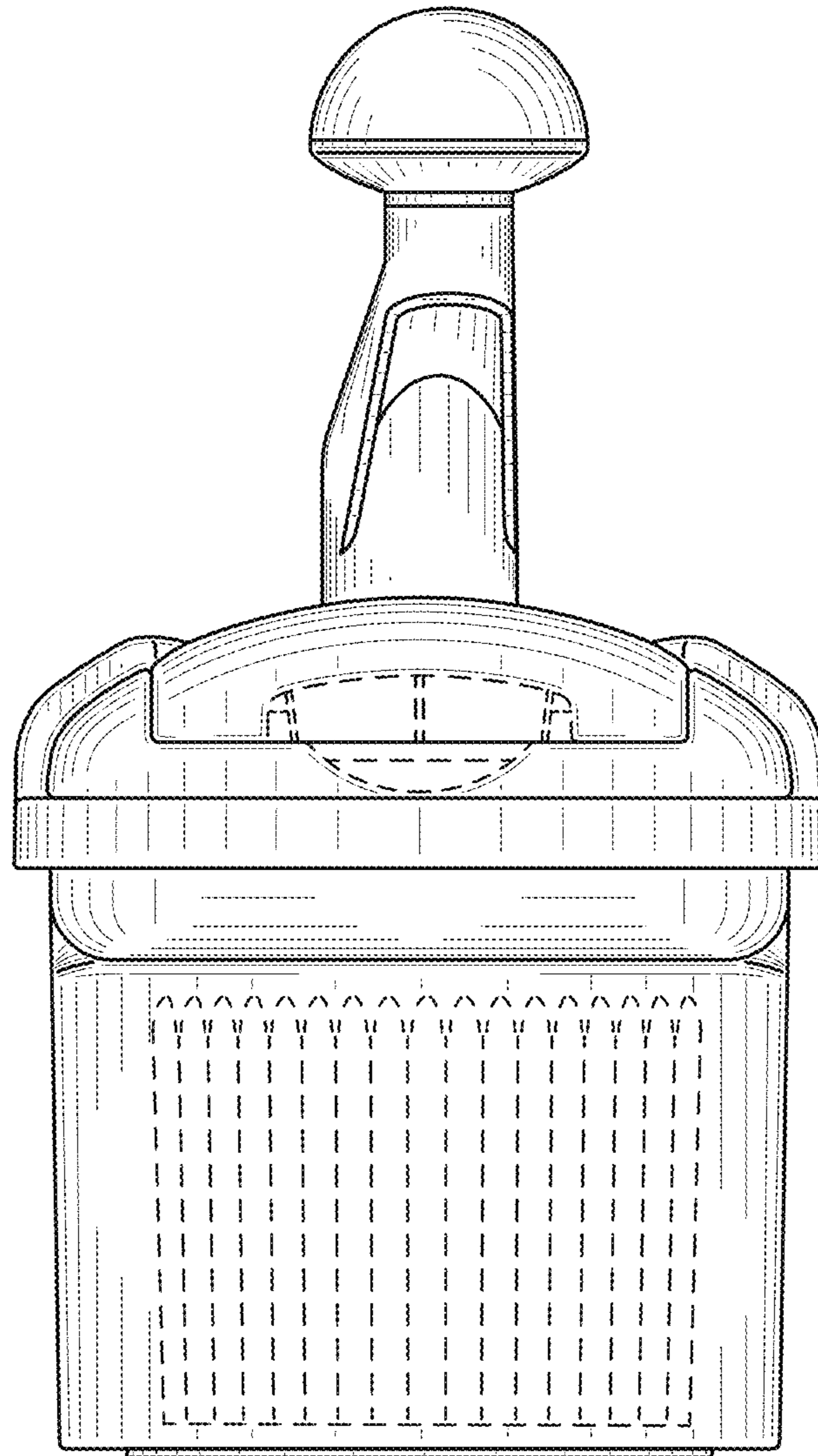


FIG. 5

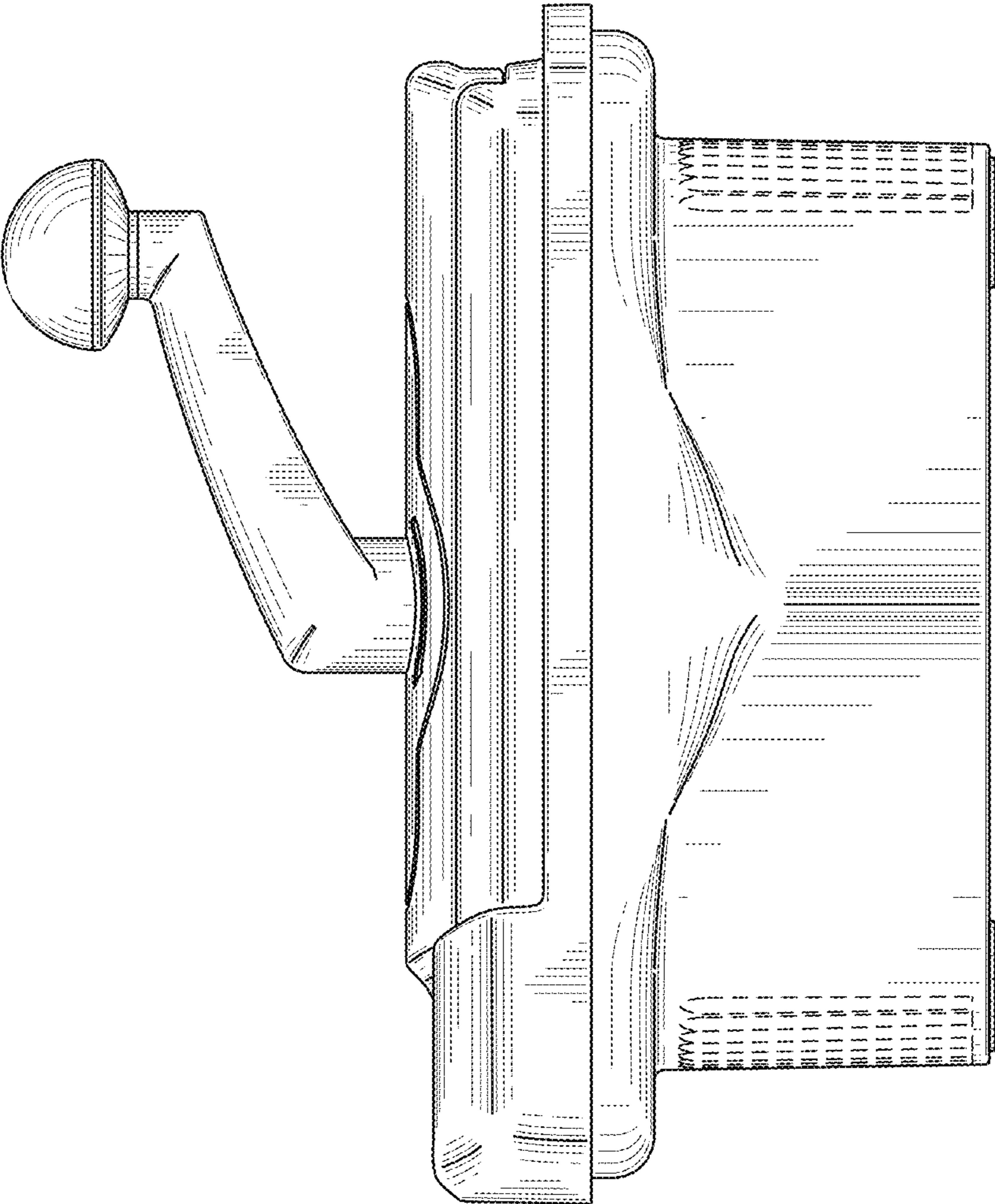


FIG. 6