



US00D770245S

(12) **United States Design Patent** (10) **Patent No.:** **US D770,245 S**
Repac (45) **Date of Patent:** **** Nov. 1, 2016**

(54) **FOOD SLICER PART**

(71) Applicant: **Genius GmbH**, Limburg (DE)

(72) Inventor: **Cedomir Repac**, Brechen (DE)

(73) Assignee: **GENIUS GMBH**, Limburg (DE)

(**) Term: **14 Years**

(21) Appl. No.: **29/524,642**

(22) Filed: **Apr. 22, 2015**

Related U.S. Application Data

(63) Continuation of application No. 29/504,618, filed on Oct. 8, 2014.

(30) **Foreign Application Priority Data**

Apr. 8, 2014	(EP)	002442400-0001
Apr. 8, 2014	(EP)	002442400-0002
Apr. 8, 2014	(EP)	002442400-0003
Apr. 8, 2014	(EP)	002442400-0004
Apr. 8, 2014	(EP)	002442400-0005
Apr. 8, 2014	(EP)	002442400-0006
Apr. 8, 2014	(EP)	002442400-0007
Apr. 8, 2014	(EP)	002442400-0008
Apr. 8, 2014	(EP)	002442400-0009
Apr. 8, 2014	(EP)	002442400-0010
Apr. 8, 2014	(EP)	002442400-0011
Apr. 8, 2014	(EP)	002442400-0012
Apr. 8, 2014	(EP)	002442400-0013
Apr. 8, 2014	(EP)	002442400-0014
Apr. 8, 2014	(EP)	002442400-0015
Apr. 8, 2014	(EP)	002442400-0016
Apr. 8, 2014	(EP)	002442400-0017
Apr. 8, 2014	(EP)	002442400-0018
Apr. 8, 2014	(EP)	002442400-0019
Apr. 8, 2014	(EP)	002442400-0020
Apr. 8, 2014	(EP)	002442400-0021

(51) **LOC (10) Cl.** **07-04**

(52) **U.S. Cl.**
USPC **D7/672**

(58) **Field of Classification Search**
USPC D7/629, 669, 693, 672-673; 30/131, 30/136, 142, 114; 99/596, 537; 241/273.1; 83/581.1, 676
CPC A21C 15/04; B26D 1/00; B26D 1/01; B26D 1/0006; B26D 1/553; B26D 3/26; A47J 19/00
See application file for complete search history.

(56) **References Cited**

U.S. PATENT DOCUMENTS

D311,305 S * 10/1990 Melamenchuk D7/673
D399,711 S * 10/1998 Cohen D7/673

(Continued)

OTHER PUBLICATIONS

U.S. Appl. No. 29/524,045, filed Apr. 16, 2015.
(Continued)

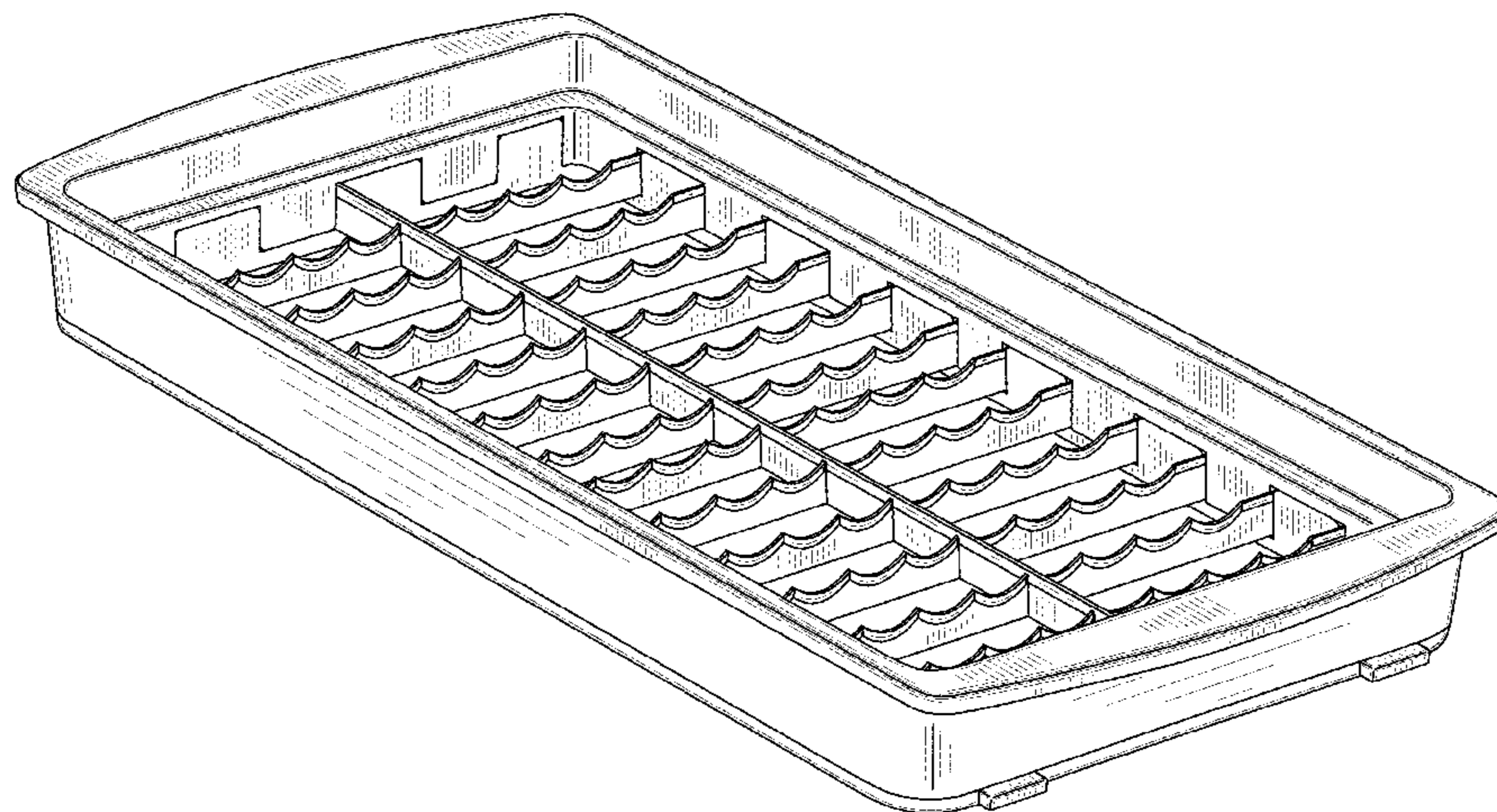
Primary Examiner — Rosemary K Tarcza
Assistant Examiner — James Thorn, Sr.
(74) *Attorney, Agent, or Firm* — Leydig, Voit & Mayer, Ltd.

(57) **CLAIM**
The ornamental design for a food slicer part, as shown.

DESCRIPTION

FIG. 1 is a top front left perspective view of a food slicer part showing my new design;
FIG. 2 is a right side elevational view thereof, the left side elevational view being the mirror image thereof;
FIG. 3 is a front elevational view thereof, the rear elevational view being the mirror image thereof;
FIG. 4 is a top plan top view thereof; and,
FIG. 5 is a bottom plan view thereof.

1 Claim, 4 Drawing Sheets



(56)

References Cited

U.S. PATENT DOCUMENTS

D531,465 S * 11/2006 Tellier D7/381
 D574,675 S * 8/2008 Debuyer D7/673
 D576,844 S * 9/2008 Sawhey D7/673
 D577,266 S * 9/2008 Sawhney D7/673
 D577,267 S * 9/2008 Sawhey D7/673
 D650,247 S * 12/2011 Harris D7/673
 D652,692 S * 1/2012 De Buyer D7/412
 D652,693 S * 1/2012 De Buyer D7/412
 D664,013 S * 7/2012 Nguyen D7/674
 2006/0185488 A1* 8/2006 Short B26D 1/553
 83/581.1
 2007/0022611 A1* 2/2007 Verbiest A21C 15/04
 30/114
 2008/0229938 A1* 9/2008 Hutto A47J 9/005
 99/537

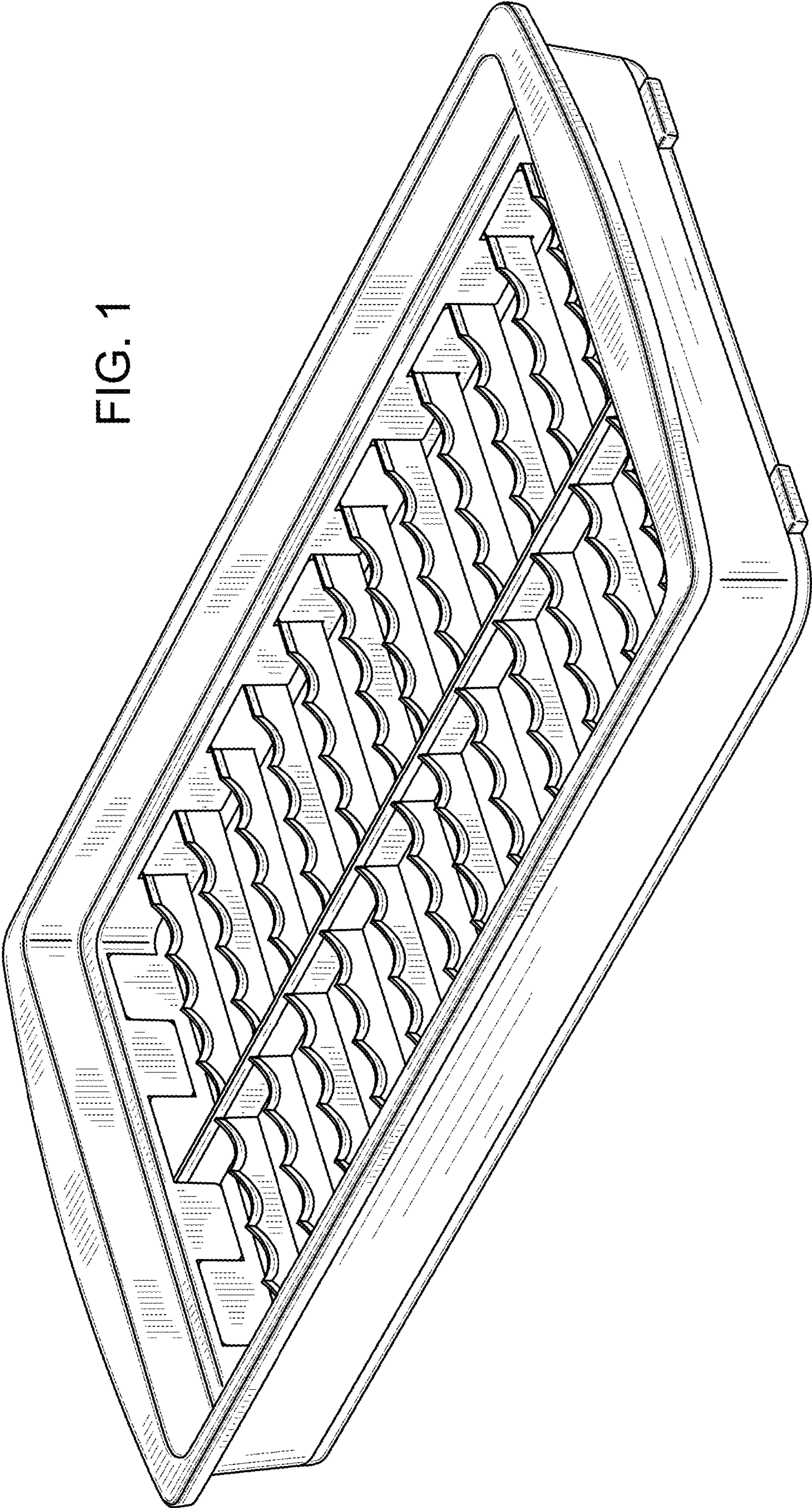
2010/0116153 A1* 5/2010 Chen A47J 43/04
 99/538
 2012/0125172 A1* 5/2012 Hidalgo Garcia A47J 19/00
 83/676
 2014/0345434 A1* 11/2014 Scattolin B26D 1/0006
 83/676

OTHER PUBLICATIONS

U.S. Appl. No. 29/526,739, filed May 13, 2015.
 U.S. Appl. No. 29/526,743, filed May 13, 2015.
 U.S. Appl. No. 29/526,047, filed May 6, 2015.
 U.S. Appl. No. 29/526,041, filed May 6, 2015.
 U.S. Appl. No. 29/526,744, filed May 13, 2015.
 U.S. Appl. No. 29/504,618, filed May 13, 2015.

* cited by examiner

FIG. 1



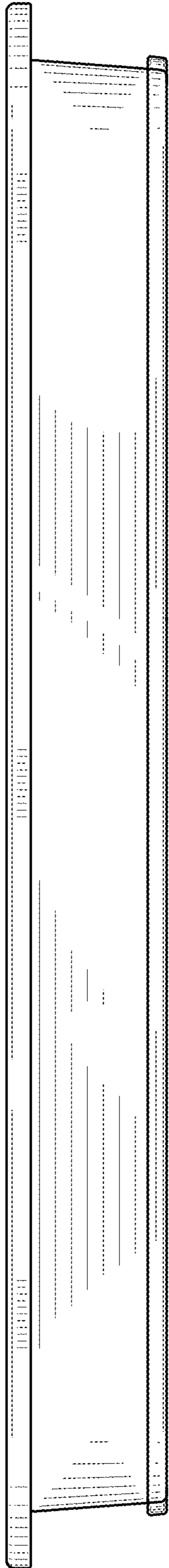


FIG. 2

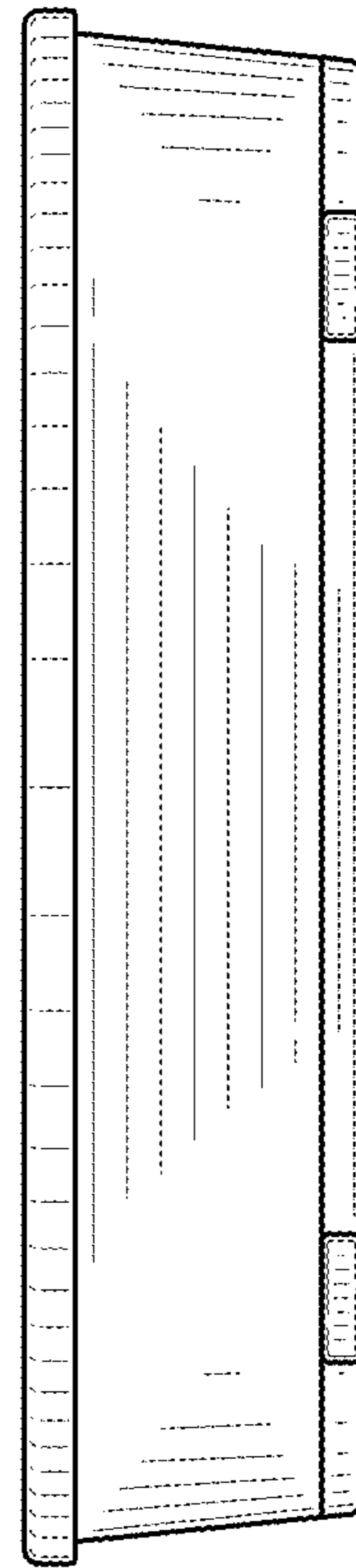


FIG. 3

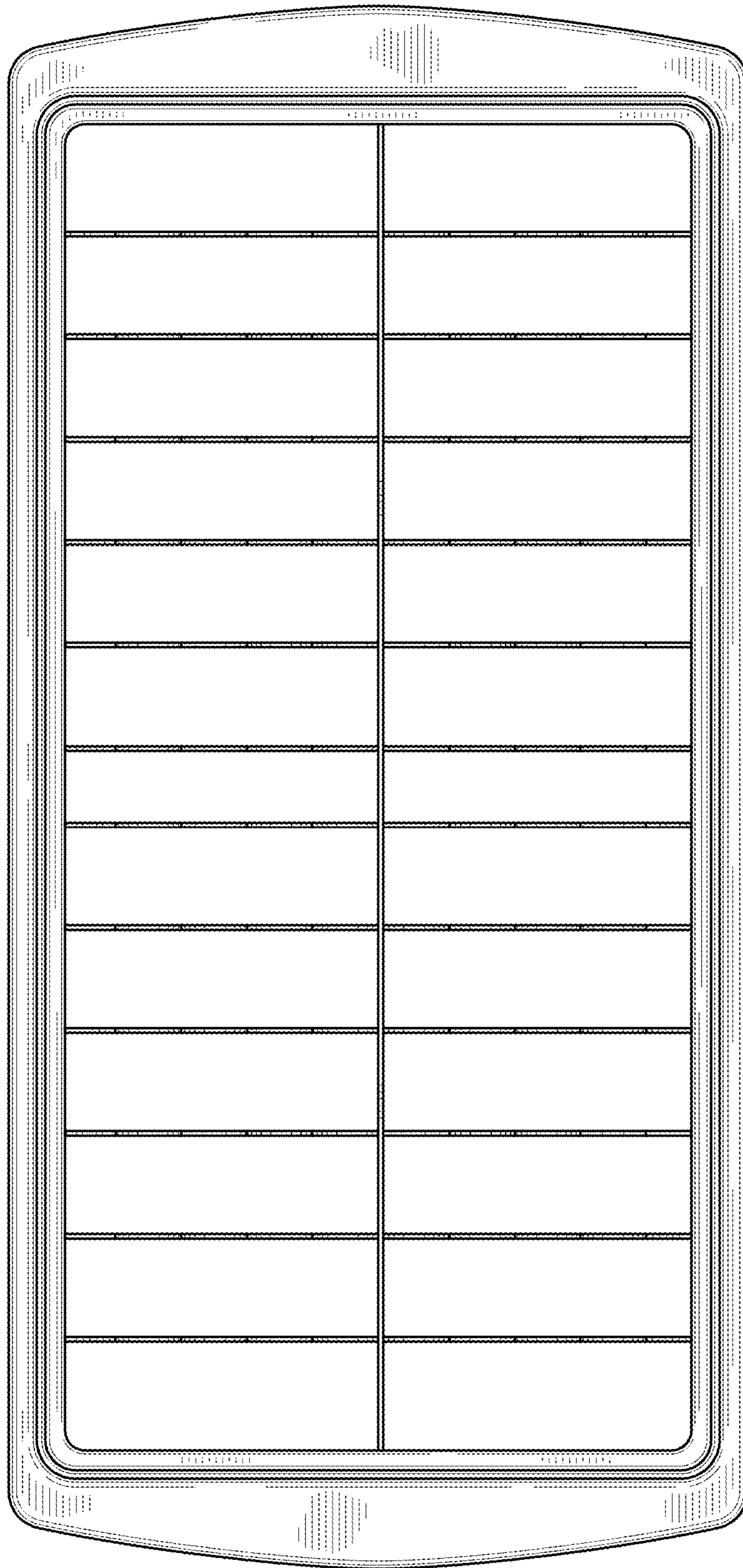


FIG. 4

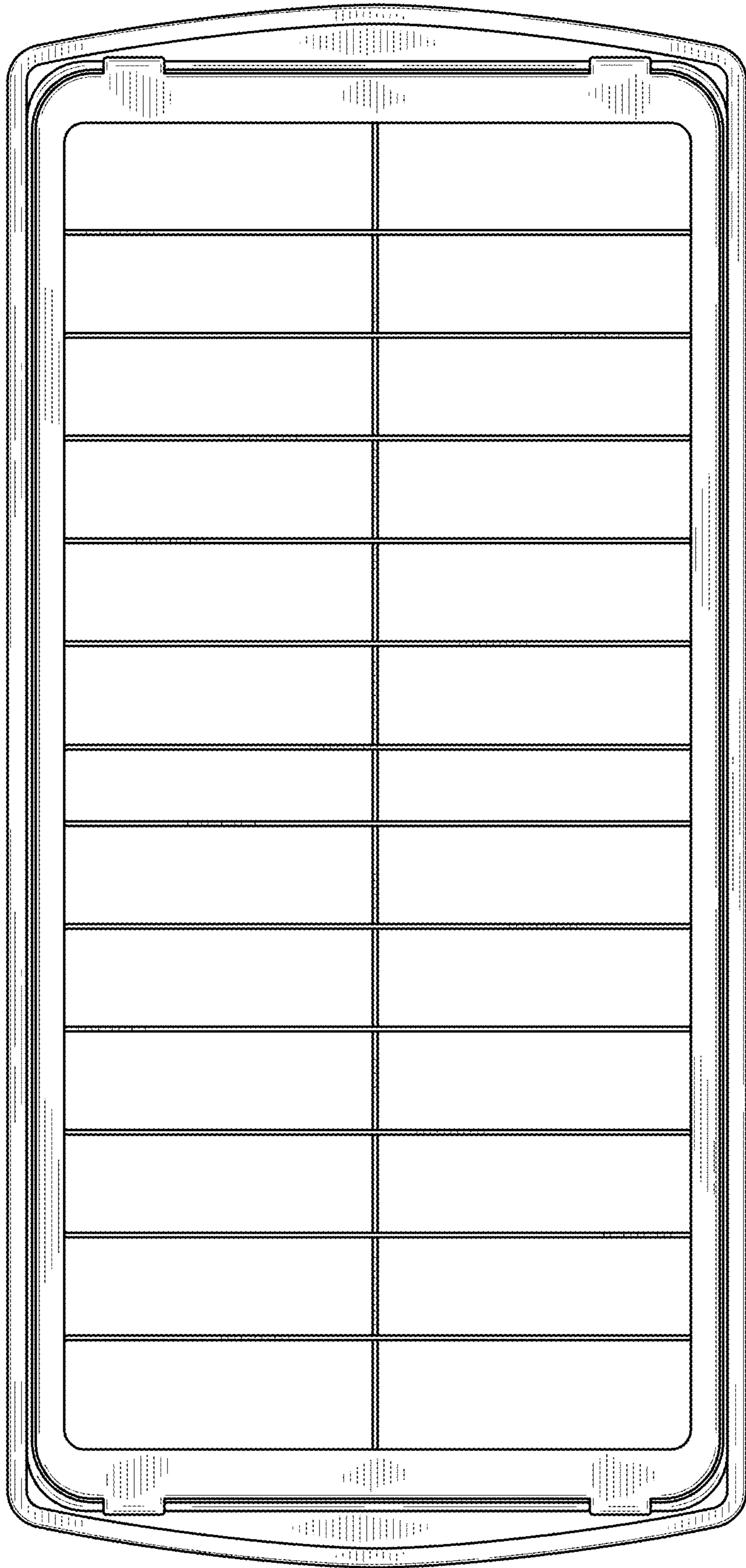


FIG. 5