



US00D770242S

(12) **United States Design Patent** (10) **Patent No.:** **US D770,242 S**
Ye (45) **Date of Patent:** **** Nov. 1, 2016**

(54) **BRUSH FOR A JUICE EXTRACTOR**

(71) Applicant: **Hamilton Beach Brands, Inc.**, Glen Allen, VA (US)

(72) Inventor: **Guoyao Ye**, Glen Allen, VA (US)

(73) Assignee: **Hamilton Beach Brands, Inc.**, Glen Allen, VA (US)

(**) Term: **14 Years**

(21) Appl. No.: **29/519,656**

(22) Filed: **Mar. 6, 2015**

(51) **LOC (10) Cl.** **31-00**

(52) **U.S. Cl.**
USPC **D7/665; D7/669; D4/116**

(58) **Field of Classification Search**
USPC D7/669, 368, 665; D4/116, 118
CPC ... A47L 13/00; A46B 11/0017; A46B 5/002;
A46B 15/00; A46B 9/02; A47J 19/027
See application file for complete search history.

(56) **References Cited**

U.S. PATENT DOCUMENTS

| | | | | | |
|-----------|-----|---------|-----------------|------------|--------|
| 1,585,939 | A * | 5/1926 | Roepke | A46B 5/002 | 15/160 |
| 2,989,765 | A | 2/1957 | Gingrich | | |
| 3,648,321 | A | 3/1972 | Vallis | | |
| 5,185,902 | A | 2/1993 | Fong | | |
| D375,816 | S | 11/1996 | Long-Langworthy | | |
| 5,878,460 | A * | 3/1999 | Bruce | A46B 9/02 | 15/160 |

| | | | | | |
|--------------|-----|---------|----------------|--------------|--------|
| D408,944 | S | 4/1999 | Petschow | | |
| D470,306 | S | 2/2003 | Halpern et al. | | |
| D634,126 | S | 3/2011 | Viola | | |
| 8,869,686 | B2 | 10/2014 | Backus | | |
| 2008/0314261 | A1 | 12/2008 | Hensel | | |
| 2010/0125961 | A1* | 5/2010 | Tuman | A47L 13/00 | 15/160 |
| 2013/0047358 | A1* | 2/2013 | Shafer | A46B 11/0017 | 15/114 |

* cited by examiner

Primary Examiner — Terry Wallace

(74) *Attorney, Agent, or Firm* — Alexander D. Raring

(57) **CLAIM**

The ornamental design for a brush for a juice extractor, as shown and described.

DESCRIPTION

FIG. 1 is a perspective view as seen from the top, front and right side of a brush for a juice extractor showing the new design;

FIG. 2 is an additional perspective view thereof;

FIG. 3 is a front view thereof;

FIG. 4 is a rear view thereof;

FIG. 5 is a left side view thereof;

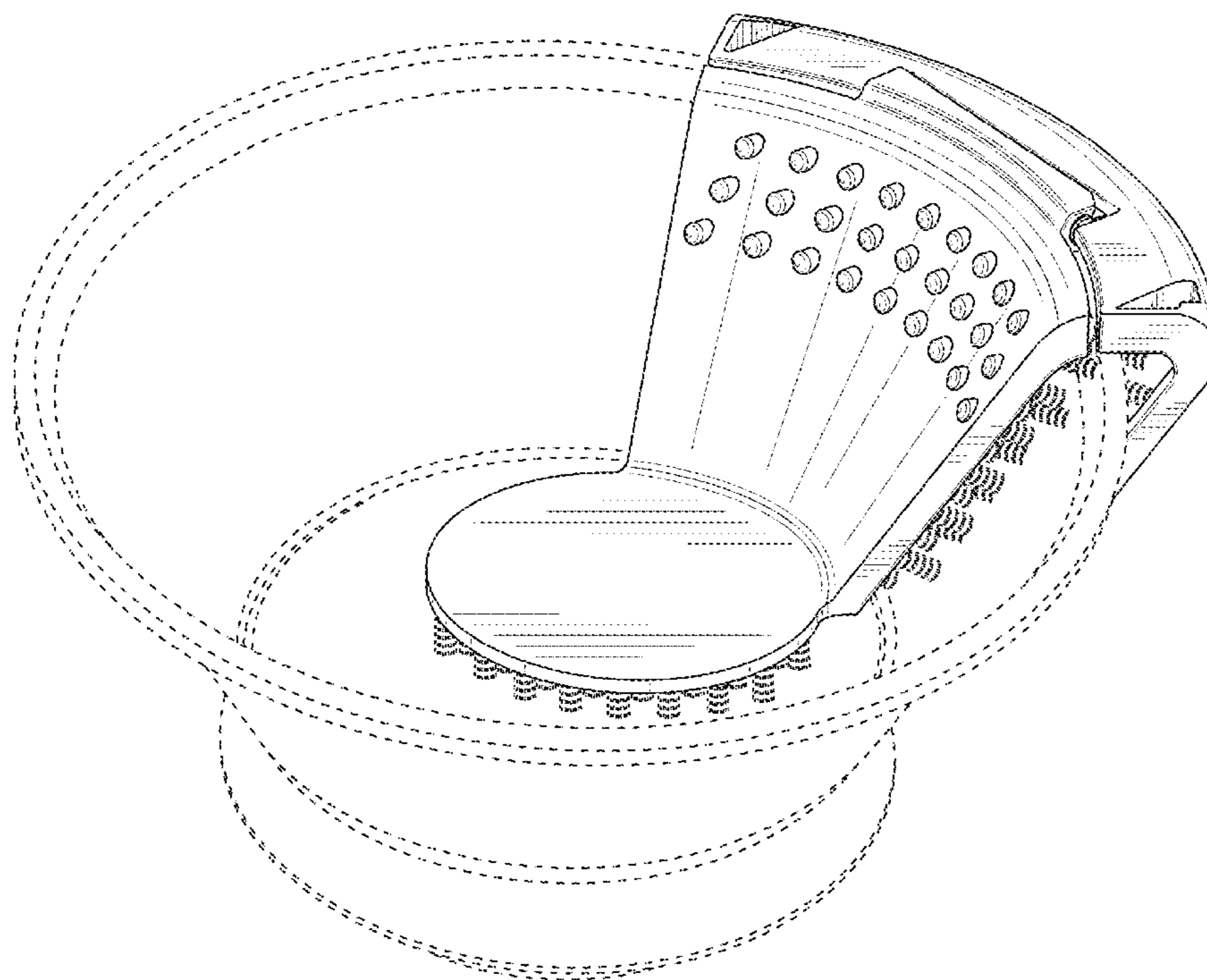
FIG. 6 is a right side view thereof;

FIG. 7 is a top view thereof; and,

FIG. 8 is a bottom view thereof.

Any broken line illustration of the structure in the drawings is not part of the claimed design.

1 Claim, 8 Drawing Sheets



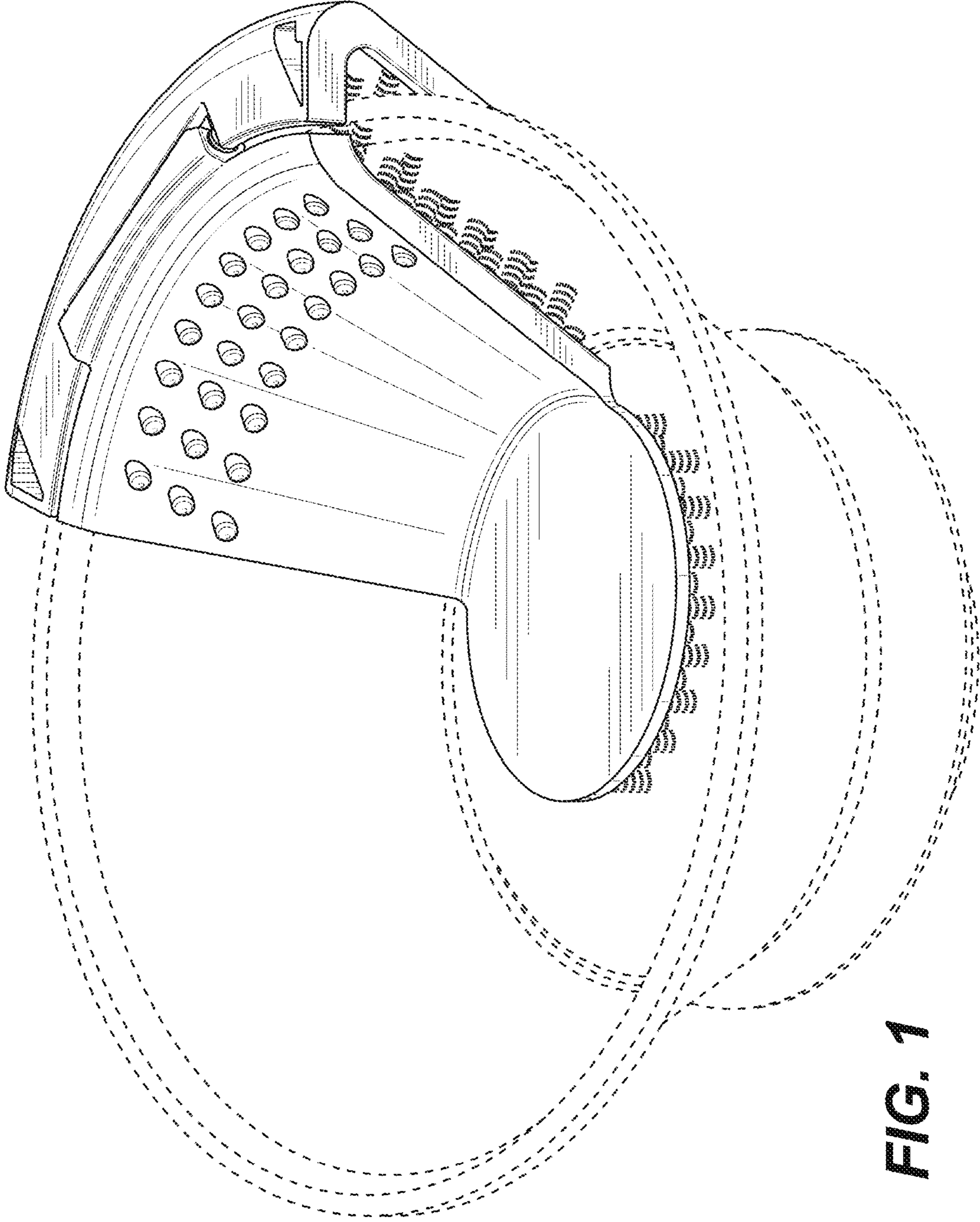


FIG. 1

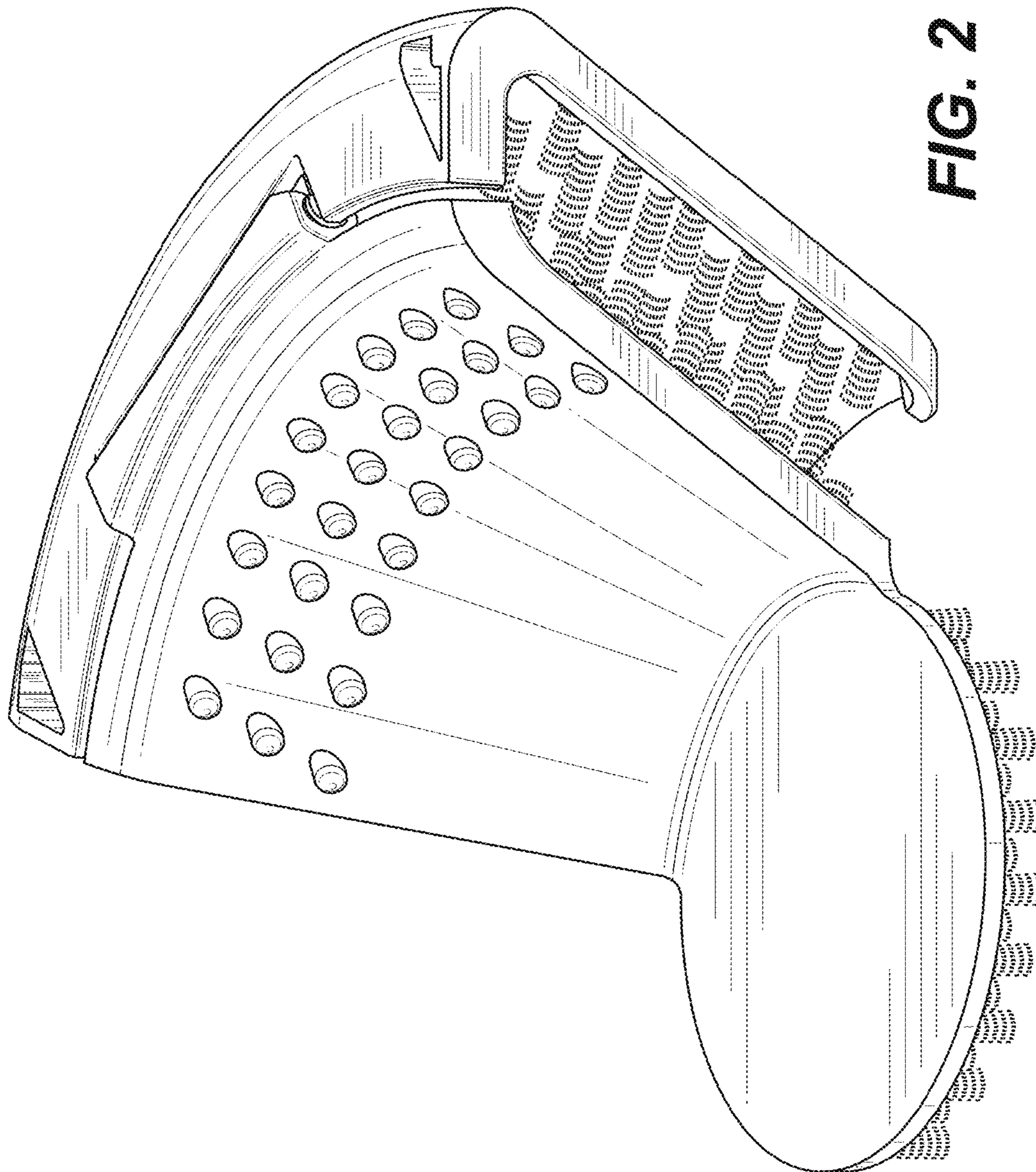


FIG. 2

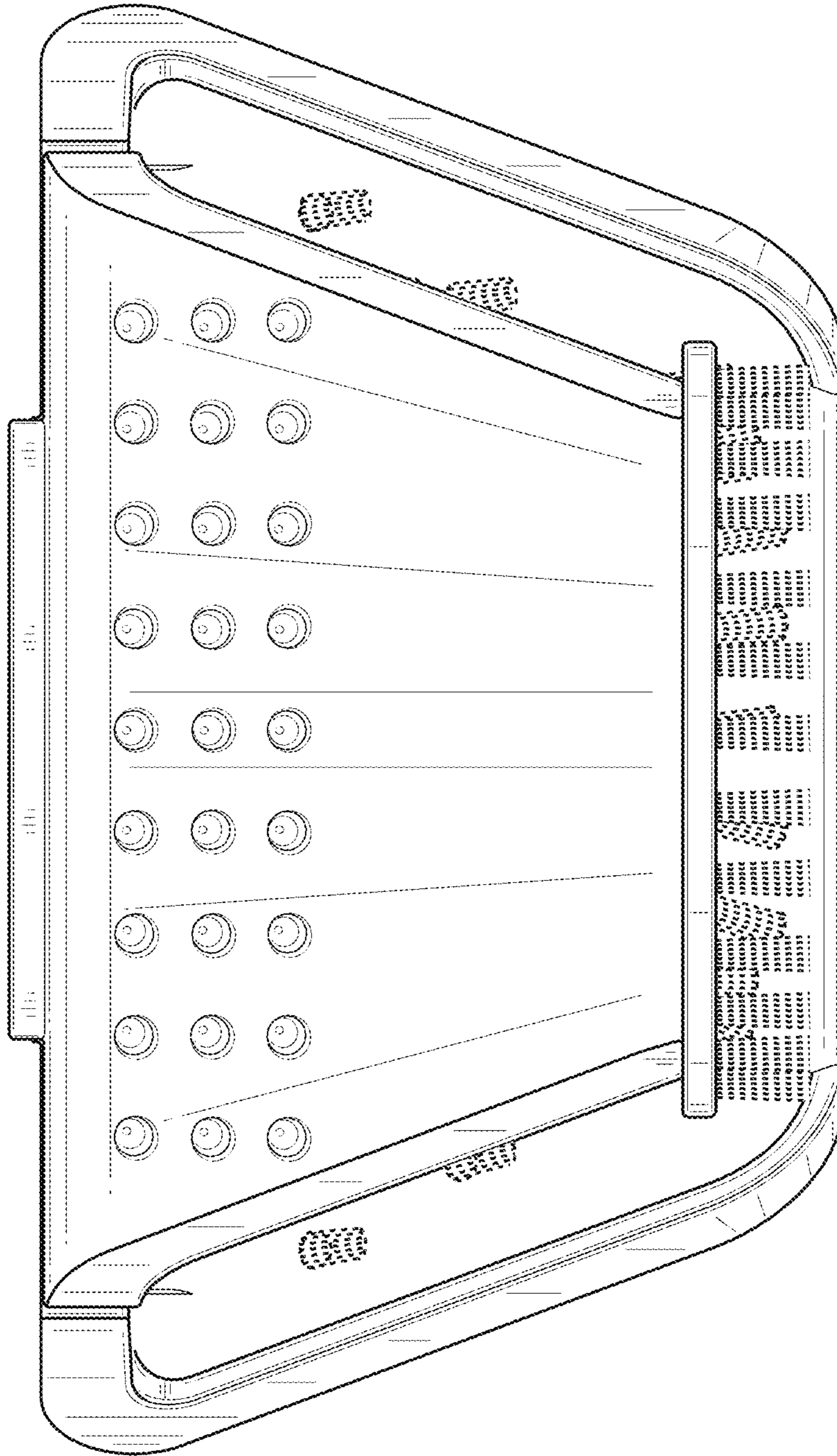


FIG. 3

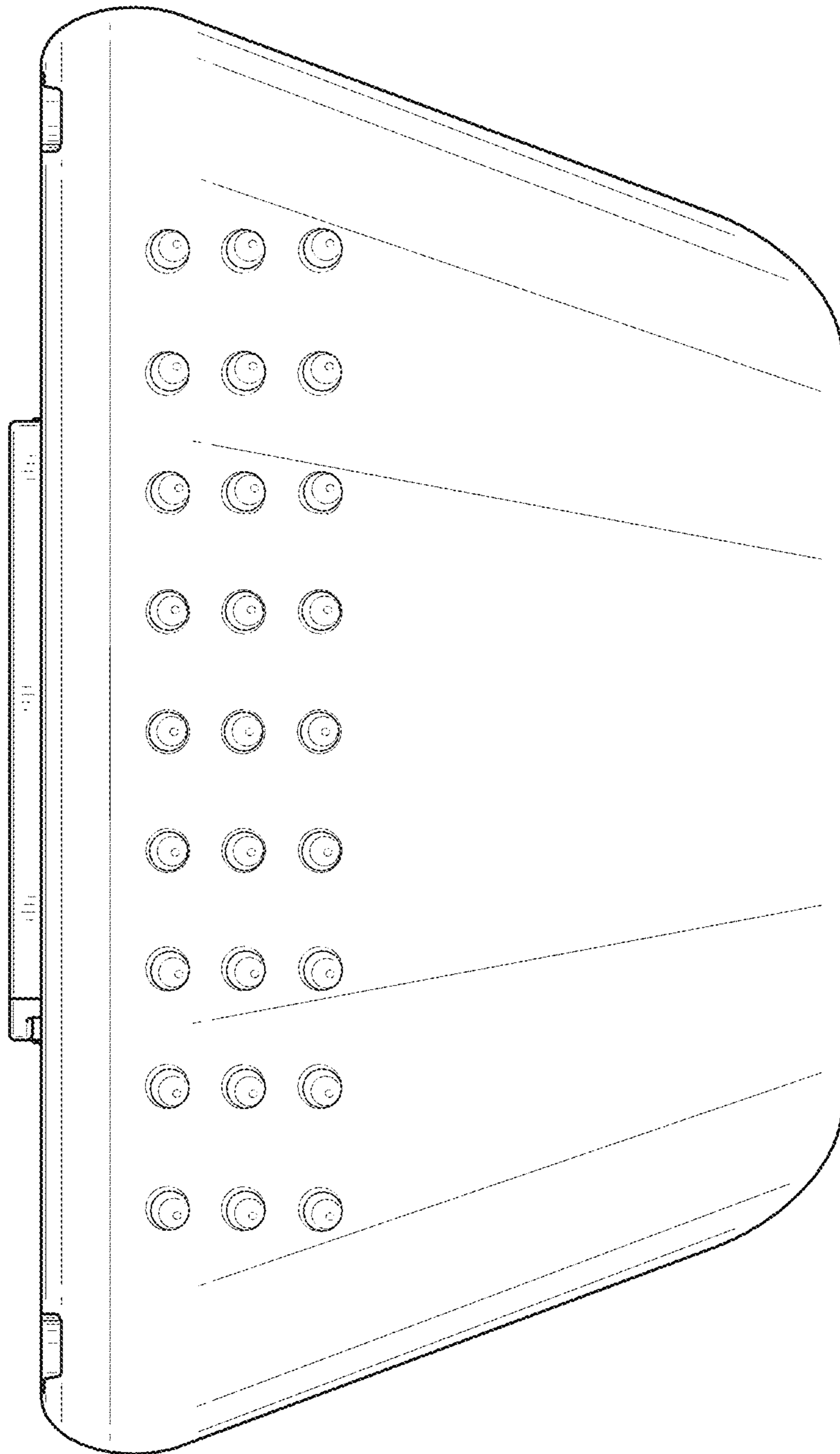


FIG. 4

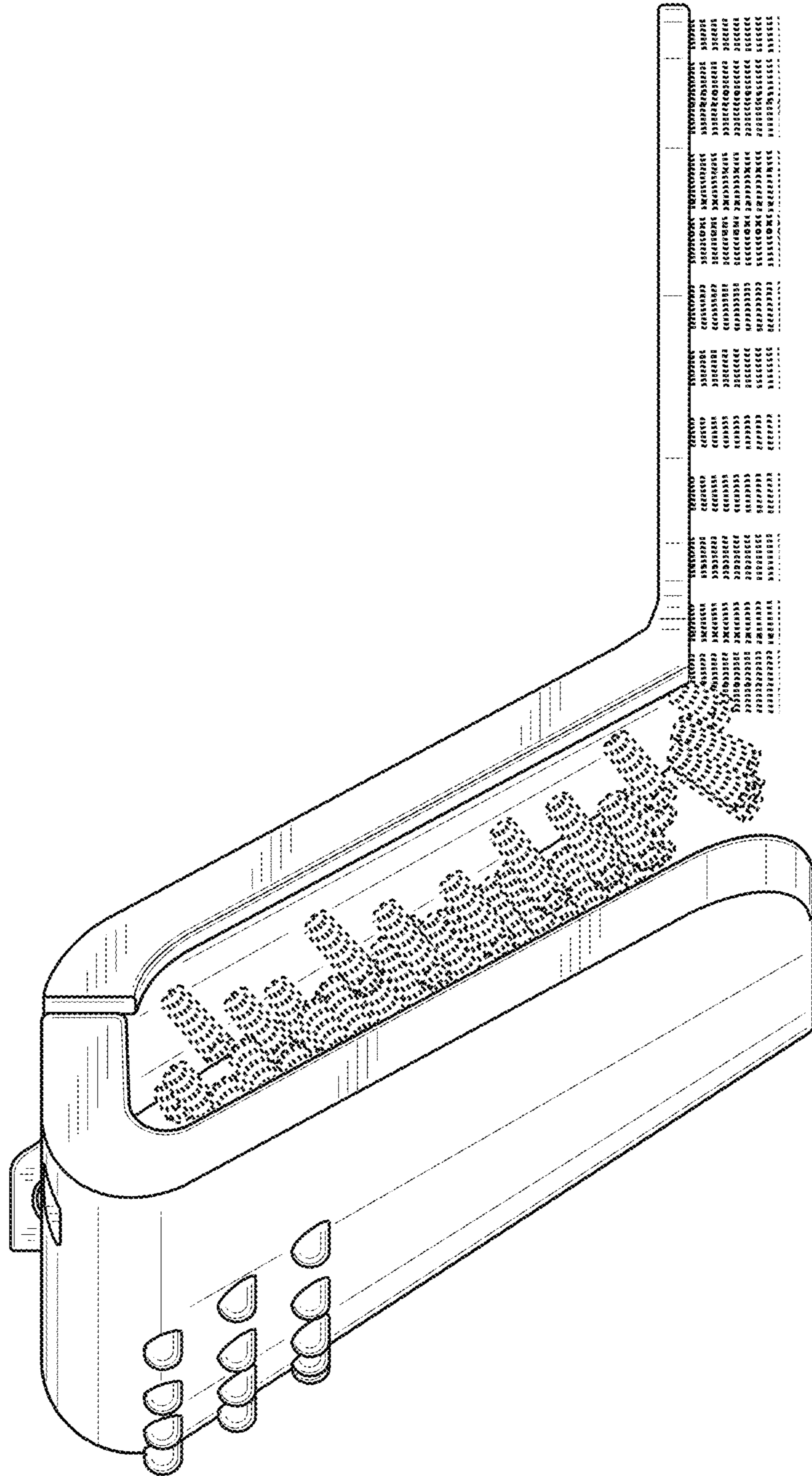


FIG. 5

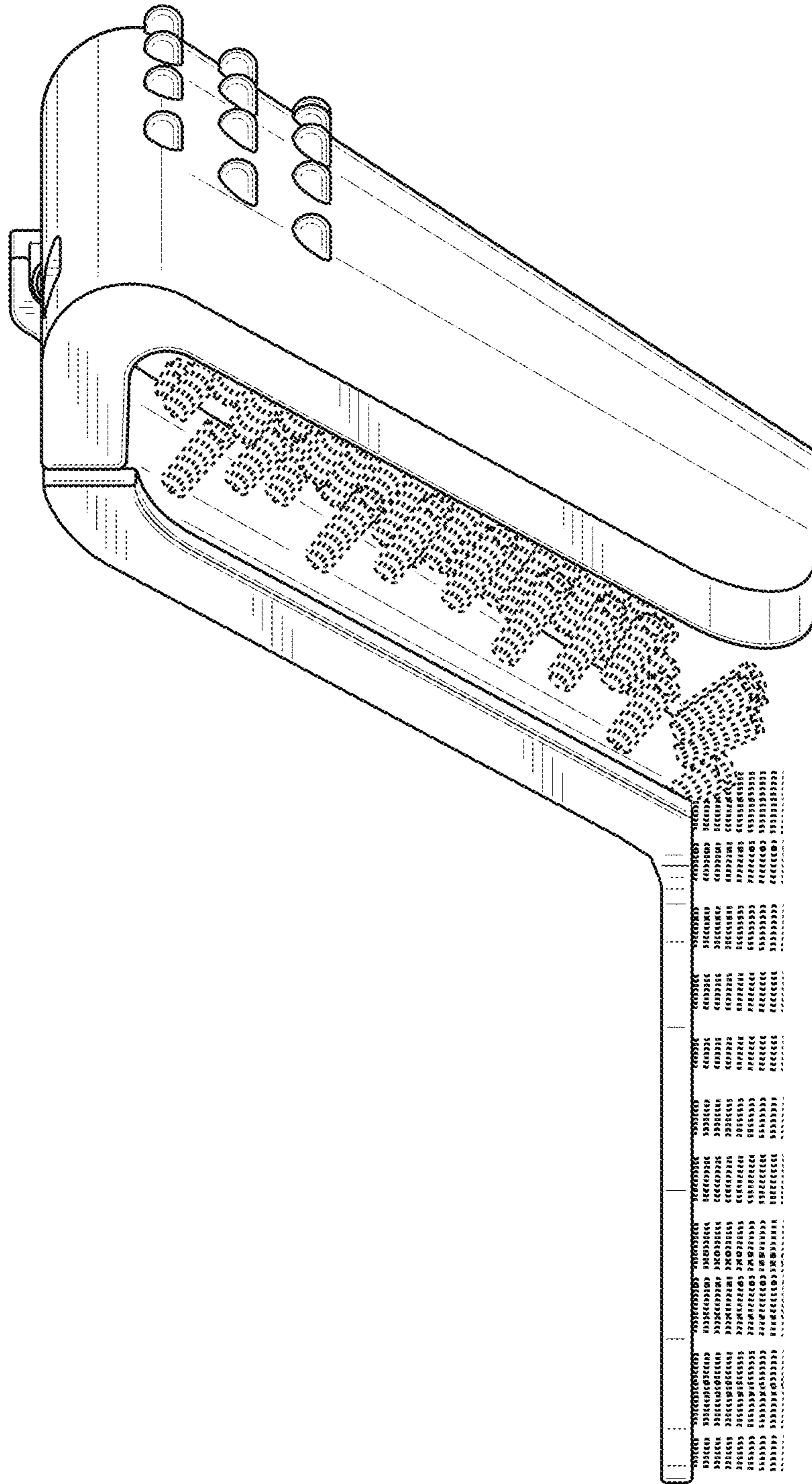


FIG. 6

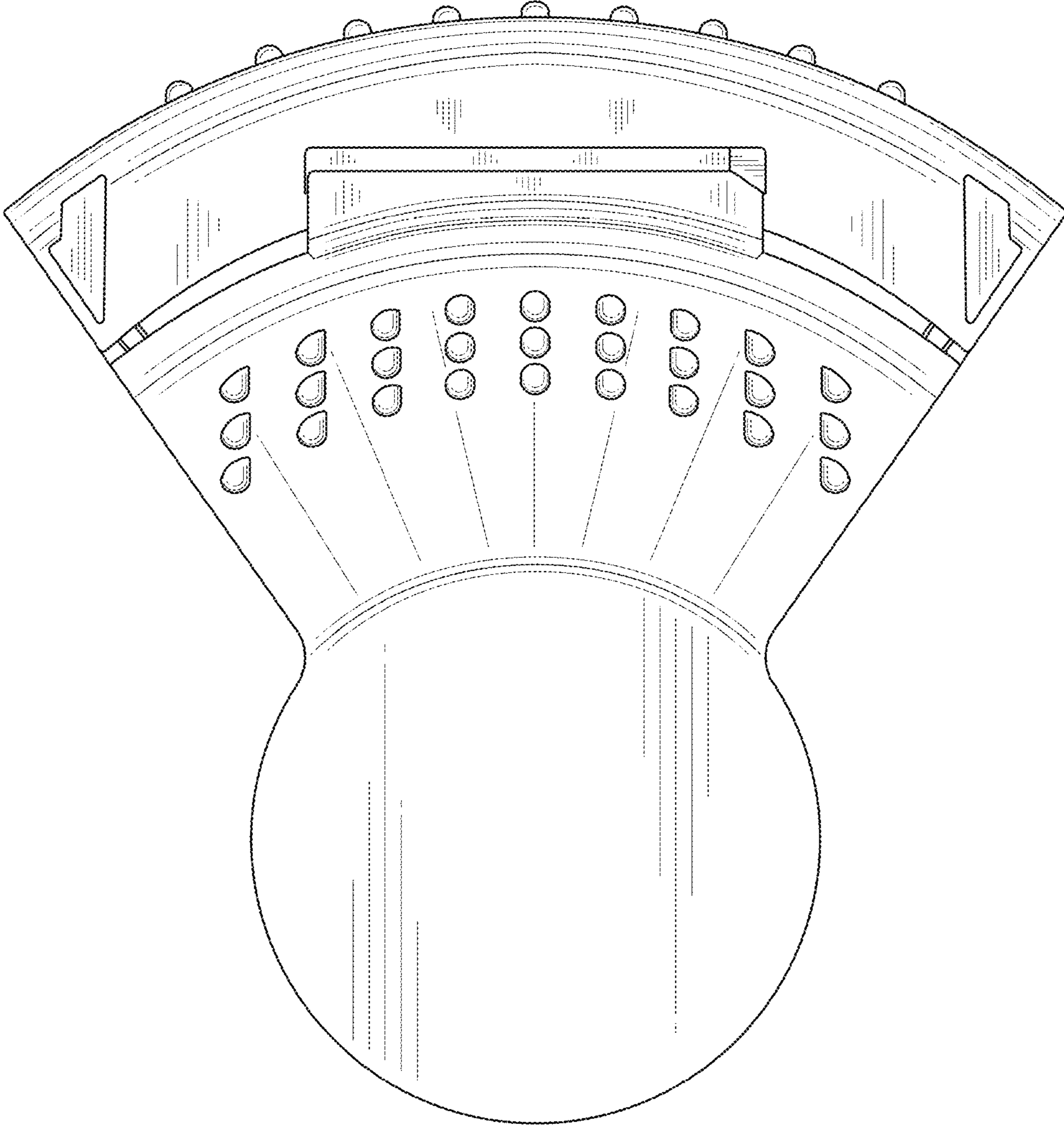


FIG. 7

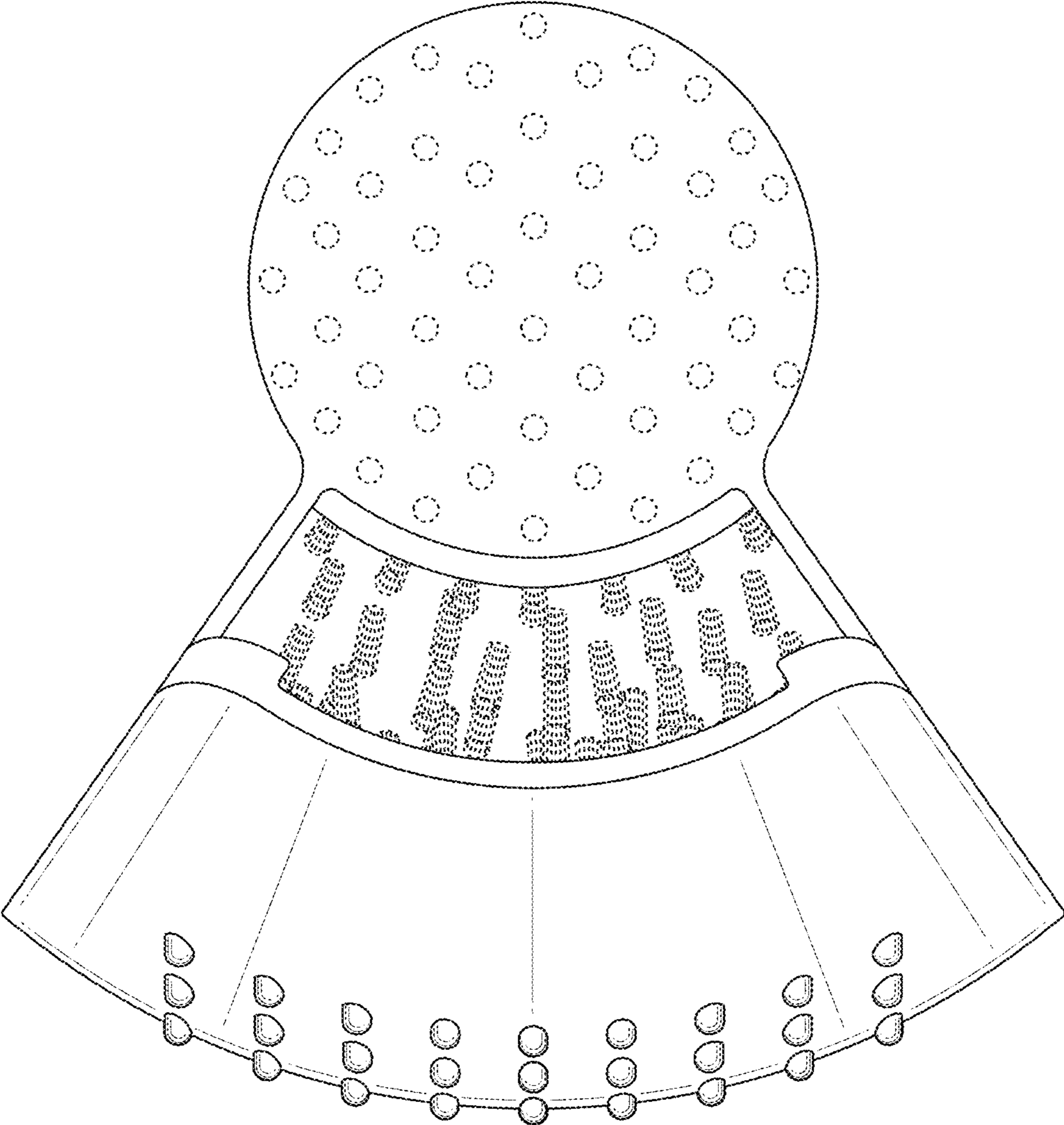


FIG. 8