



US00D770239S

(12) **United States Design Patent** (10) **Patent No.:** **US D770,239 S**  
**Lonner et al.** (45) **Date of Patent:** **\*\* Nov. 1, 2016**

(54) **FOOD CONTAINER ASSEMBLY**

(71) Applicant: **Guac-Lock, LLC**, White Plains, NY (US)

(72) Inventors: **Sharon Lonner**, Scarsdale, NY (US);  
**Jane Caplan**, White Plains, NY (US);  
**Ran Lerner**, New York, NY (US)

(73) Assignee: **Guac-Lock, LLC**, White Plains, NY (US)

(\*\*) Term: **14 Years**

(21) Appl. No.: **29/506,388**

(22) Filed: **Oct. 15, 2014**

(51) **LOC (10) Cl.** ..... **07-01**

(52) **U.S. Cl.**  
USPC ..... **D7/629**

(58) **Field of Classification Search**  
USPC ..... D7/628, 629, 630, 601, 602, 538–542;  
D9/424–432; D3/201  
CPC ..... B65D 43/02; B65D 43/14; B65D 43/16;  
B65D 2543/00092; B65D 2543/00296;  
B65D 2543/00537  
See application file for complete search history.

(56) **References Cited**

**U.S. PATENT DOCUMENTS**

2,096,358 A 10/1937 Gautier  
2,172,457 A 9/1939 Schwartz

(Continued)

**FOREIGN PATENT DOCUMENTS**

FR 2840886 12/2003

**OTHER PUBLICATIONS**

Measure-All® Cup—Cook’s Tools, known and accessible to the public at least prior to Nov. 19, 2013, retrieved from the Internet at

<http://www.pamperedchef.com/shop/Cook%27s+Tools/Measure-All%C2%AE+Cup/2225#Overview>, 2 pages.

(Continued)

*Primary Examiner* — George D Kirschbaum

*Assistant Examiner* — Clese Moore, Jr.

(74) *Attorney, Agent, or Firm* — Curtis, Mallet-Prevost, Colt & Mosle LLP

(57) **CLAIM**

We claim the ornamental design for a food container assembly, as shown and described.

**DESCRIPTION**

FIG. 1 is a front perspective view of a food container assembly in accordance with a first embodiment of the present invention.

FIG. 2 is a front view of the food container assembly of FIG. 1.

FIG. 3 is a rear view of the food container assembly of FIG. 1.

FIG. 4 is a left side view of the food container assembly of FIG. 1.

FIG. 5 is a right side view of the food container assembly of FIG. 1.

FIG. 6 is a top view of the food container assembly of FIG. 1.

FIG. 7 is a bottom view of the food container assembly of FIG. 1.

FIG. 8 is a front perspective view of a food container assembly in accordance with a second embodiment of the present invention.

FIG. 9 is a front view of the food container assembly of FIG. 8.

FIG. 10 is a rear view of the food container assembly of FIG. 8.

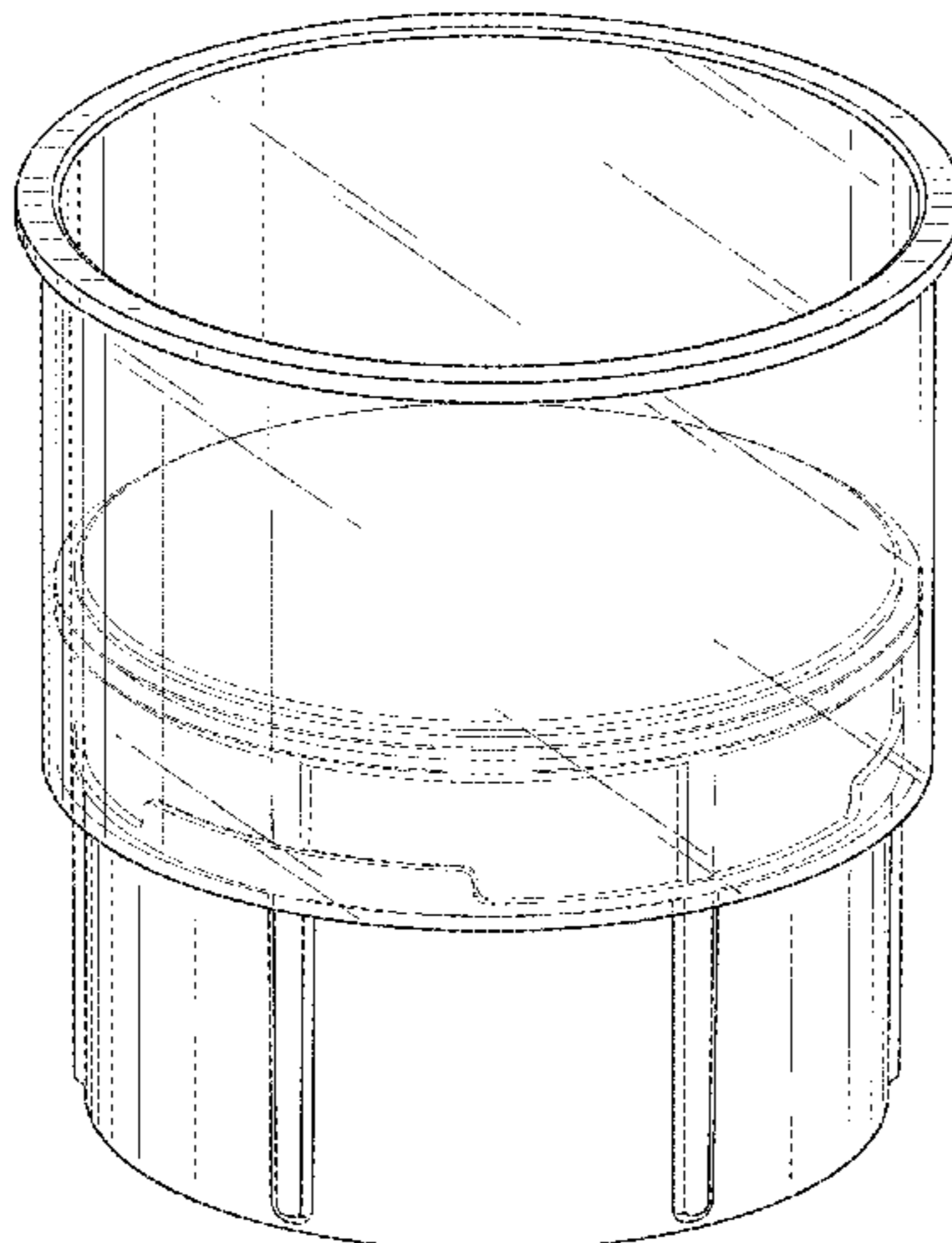
FIG. 11 is a left side view of the food container assembly of FIG. 8.

FIG. 12 is a right side view of the food container assembly of FIG. 8.

FIG. 13 is a top view of the food container assembly of FIG. 8; and,

FIG. 14 is a bottom view of the food container assembly of FIG. 8.

**1 Claim, 12 Drawing Sheets**



(56)

References Cited

U.S. PATENT DOCUMENTS

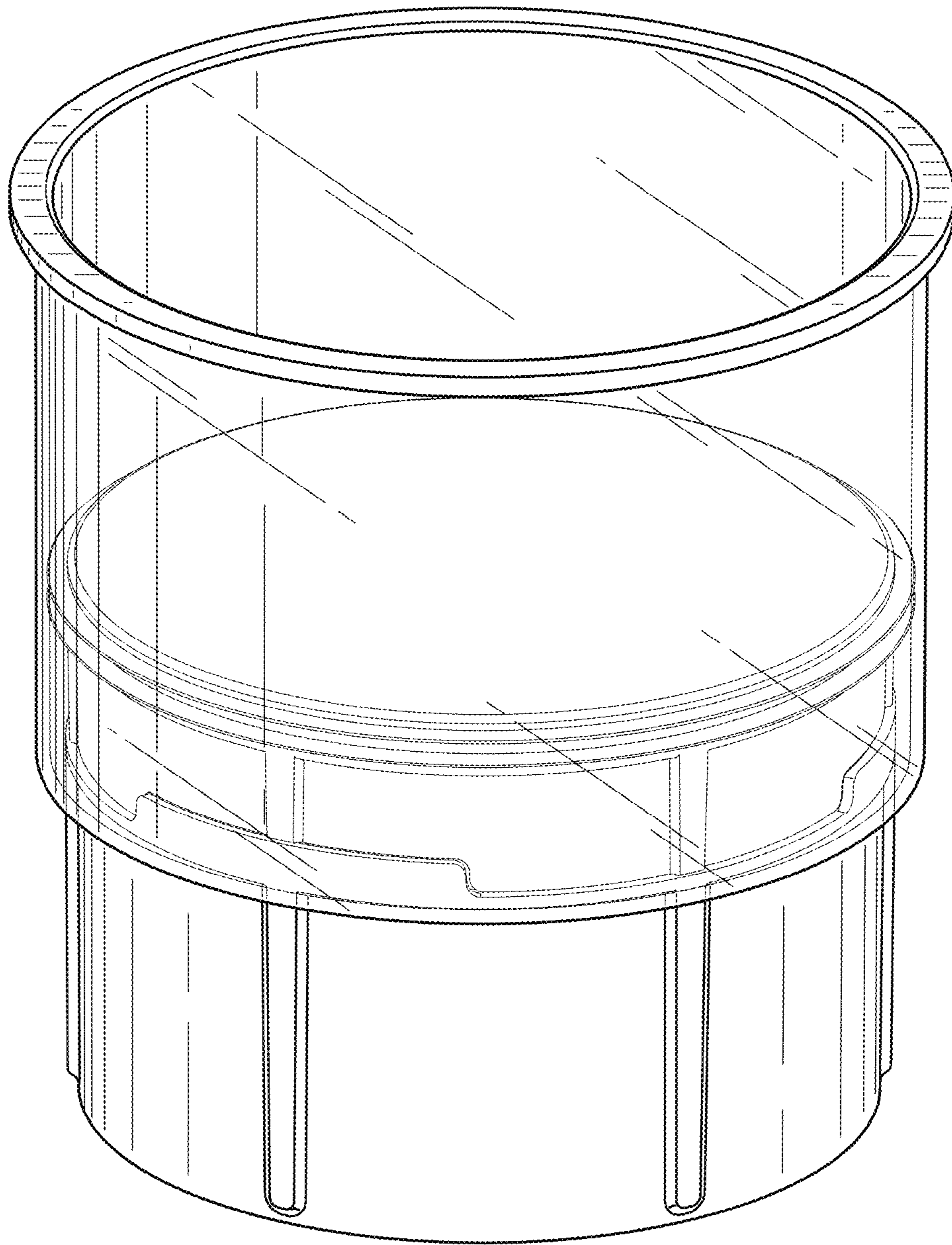
D159,811 S \* 8/1950 Hill ..... D7/629  
 2,519,271 A 8/1950 Miller  
 2,628,743 A 2/1953 Newlyn  
 2,655,289 A 10/1953 Peal  
 2,661,126 A 12/1953 Spencer  
 2,726,012 A 12/1955 Jensen  
 3,578,467 A 5/1971 Huber  
 3,784,051 A 1/1974 Shaw et al.  
 D278,674 S \* 5/1985 Tardif ..... D7/629  
 4,723,674 A 2/1988 Nunes  
 D299,102 S \* 12/1988 Maki ..... D7/511  
 D335,428 S \* 5/1993 Picozza ..... D7/612  
 5,213,230 A 5/1993 Kral  
 5,339,981 A 8/1994 Kral  
 5,361,933 A 11/1994 Oster  
 D413,489 S \* 9/1999 Miller ..... D7/629  
 6,026,685 A 2/2000 Weterrings et al.  
 6,290,105 B1 9/2001 Cosentino  
 D449,494 S \* 10/2001 Cousins ..... D7/629  
 D488,031 S \* 4/2004 Kim ..... D7/629  
 D501,368 S \* 2/2005 Roth ..... D7/629  
 D523,296 S \* 6/2006 Kim ..... D7/629  
 7,159,736 B1 1/2007 Torelli  
 D558,532 S \* 1/2008 Peterson ..... D7/615  
 D575,115 S \* 8/2008 Zimmerman ..... D7/629  
 7,494,025 B2 2/2009 Porter  
 D590,667 S \* 4/2009 Trombly ..... D7/615  
 D631,708 S \* 2/2011 Smyers ..... D7/629  
 D633,757 S \* 3/2011 Smyers ..... D7/629  
 D634,986 S \* 3/2011 Smyers ..... D7/629  
 D636,641 S \* 4/2011 Smyers ..... D7/629  
 D651,475 S \* 1/2012 Lindsay ..... D7/629

D660,093 S \* 5/2012 Kyung ..... D7/629  
 D660,658 S \* 5/2012 Kyung ..... D7/629  
 D677,117 S \* 3/2013 Smyers ..... D7/391  
 D694,589 S \* 12/2013 Duvigneau ..... D7/629  
 D700,473 S \* 3/2014 Duvigneau ..... D7/391  
 2004/0195241 A1 10/2004 Stull et al.  
 2006/0196496 A1 9/2006 Vallercamp  
 2007/0272698 A1 11/2007 Brown et al.  
 2014/0175131 A1 6/2014 Abrams  
 2015/0136786 A1\* 5/2015 Lonner ..... B65D 81/24  
 220/529

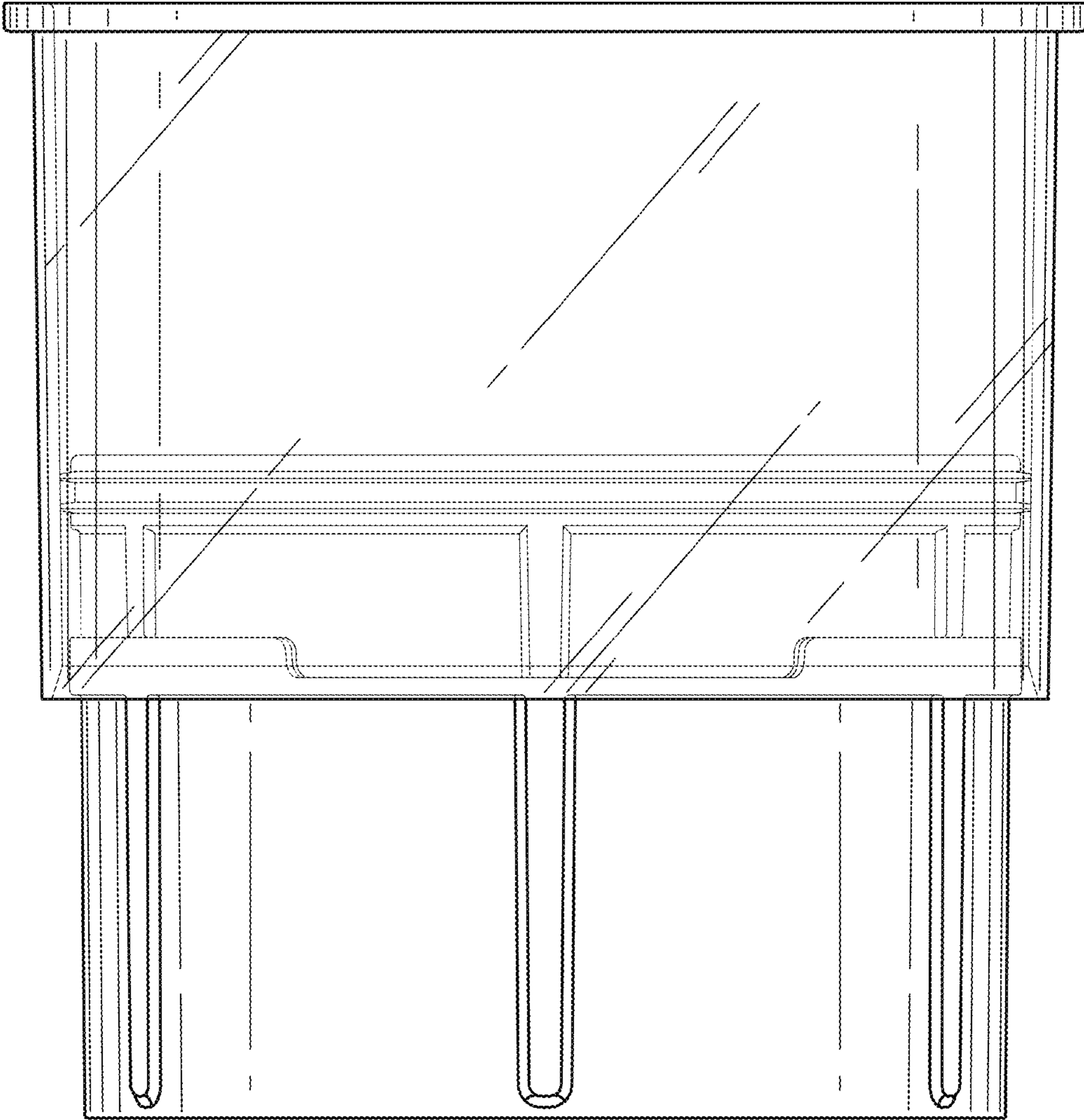
OTHER PUBLICATIONS

“St. Andrew invention can keep guacamole green,” article, dated May 2, 2012, Community Journal North Clermont, Milford-Miami Advertiser, retrieved at <http://issuu.com/cincinnati/docs/milford-miami-advertiser-050212/6>, 1 page.  
 Klip It® Round Container, known and accessible to the public at least prior to Nov. 19, 2013, retrieved from the Internet at <http://sistemaplastics.com/products/klip-it-round/1-litre-round>, 1 page.  
 Livart eJen Vacuum Food Storage Round Container—1.5 Liter, known and accessible to the public at least prior to Nov. 19, 2013, retrieved from the Internet at <http://www.shoplivart.com/ej-r1-5.html>, 1 page.  
 Evak Food Storage Container, known and accessible to the public at least prior to Nov. 19, 2013, retrieved from the Internet at <http://prepara.com/products/evak-gloss-white>, 2 pages.  
 Oxo Adjustable Measuring Beaker, known and accessible to the public at least prior to Nov. 19, 2013, retrieved from the Internet at <http://www.surlatable.com/product/PRO-1112192/?affsrcid=Aff0001&CAGPSN=pla&>, 2 pages.

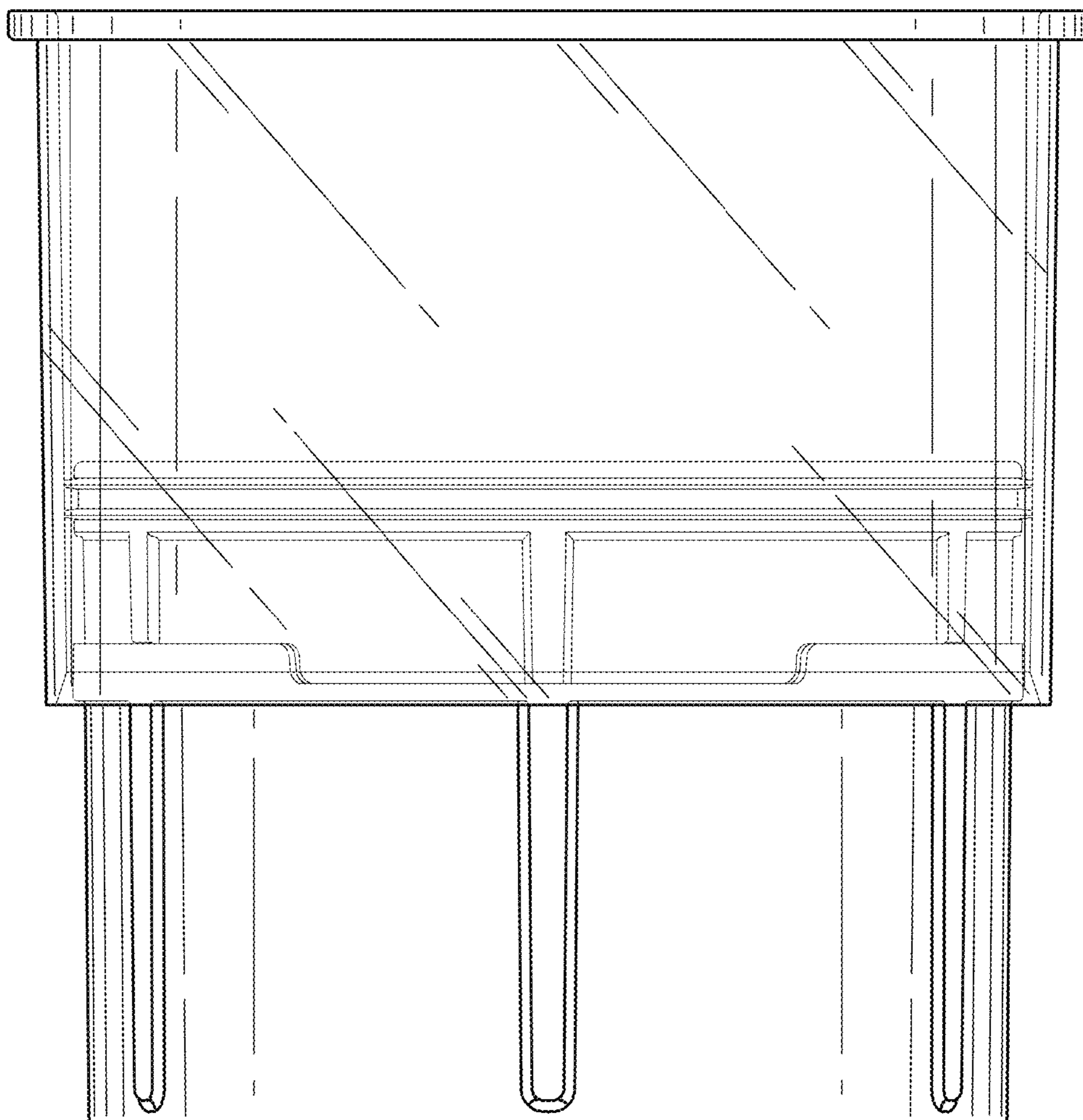
\* cited by examiner



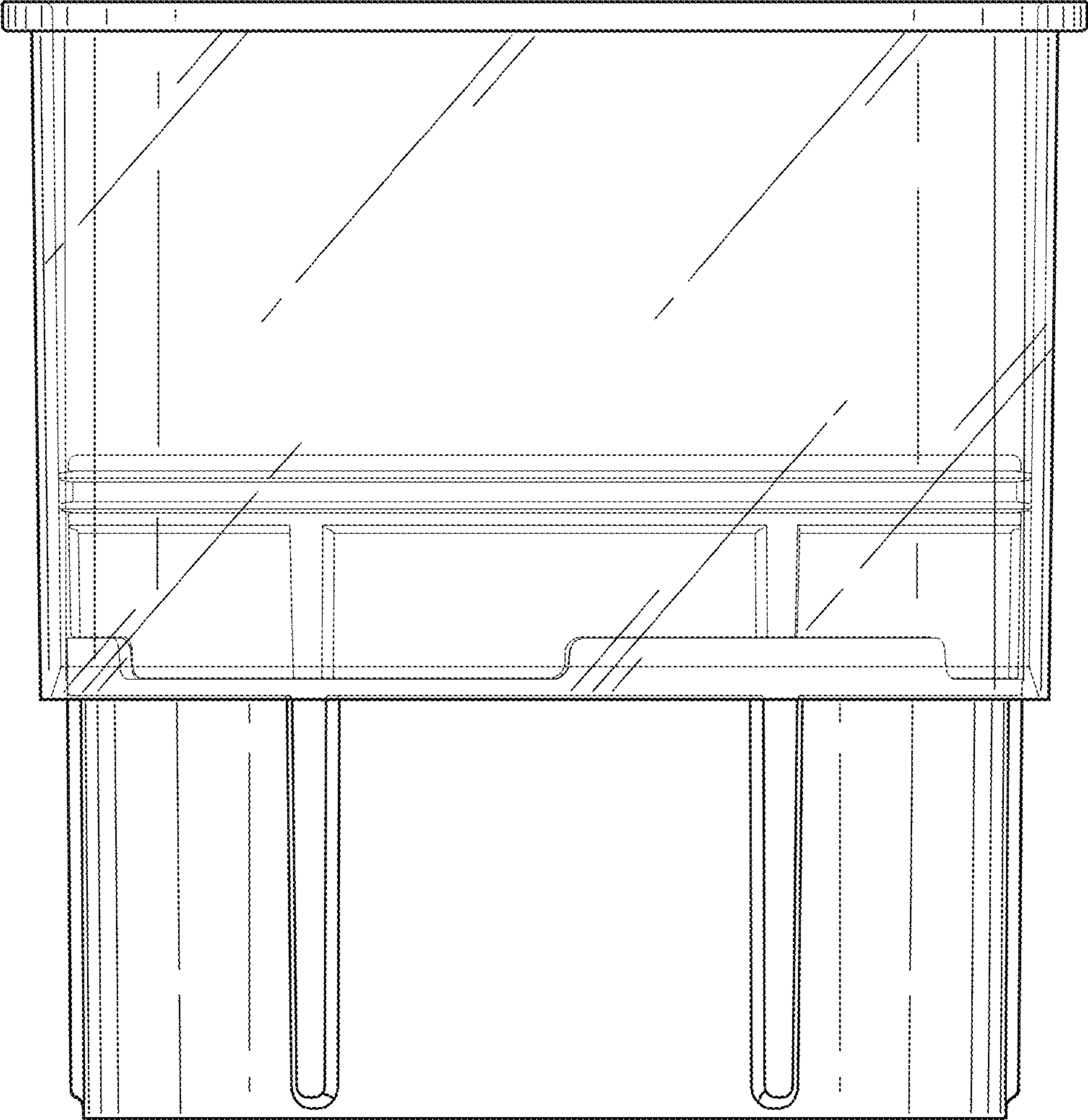
**FIG. 1**



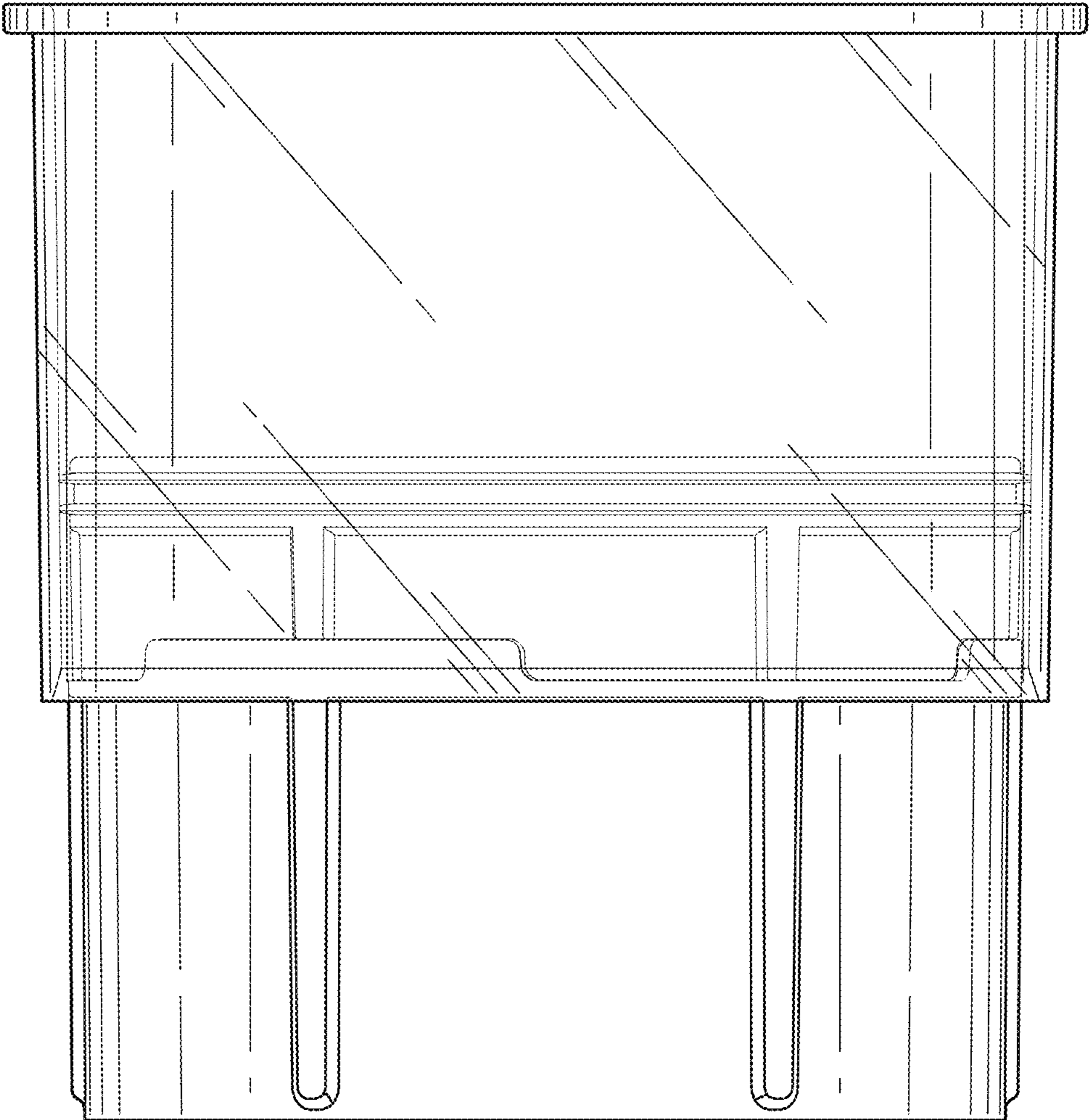
**FIG. 2**



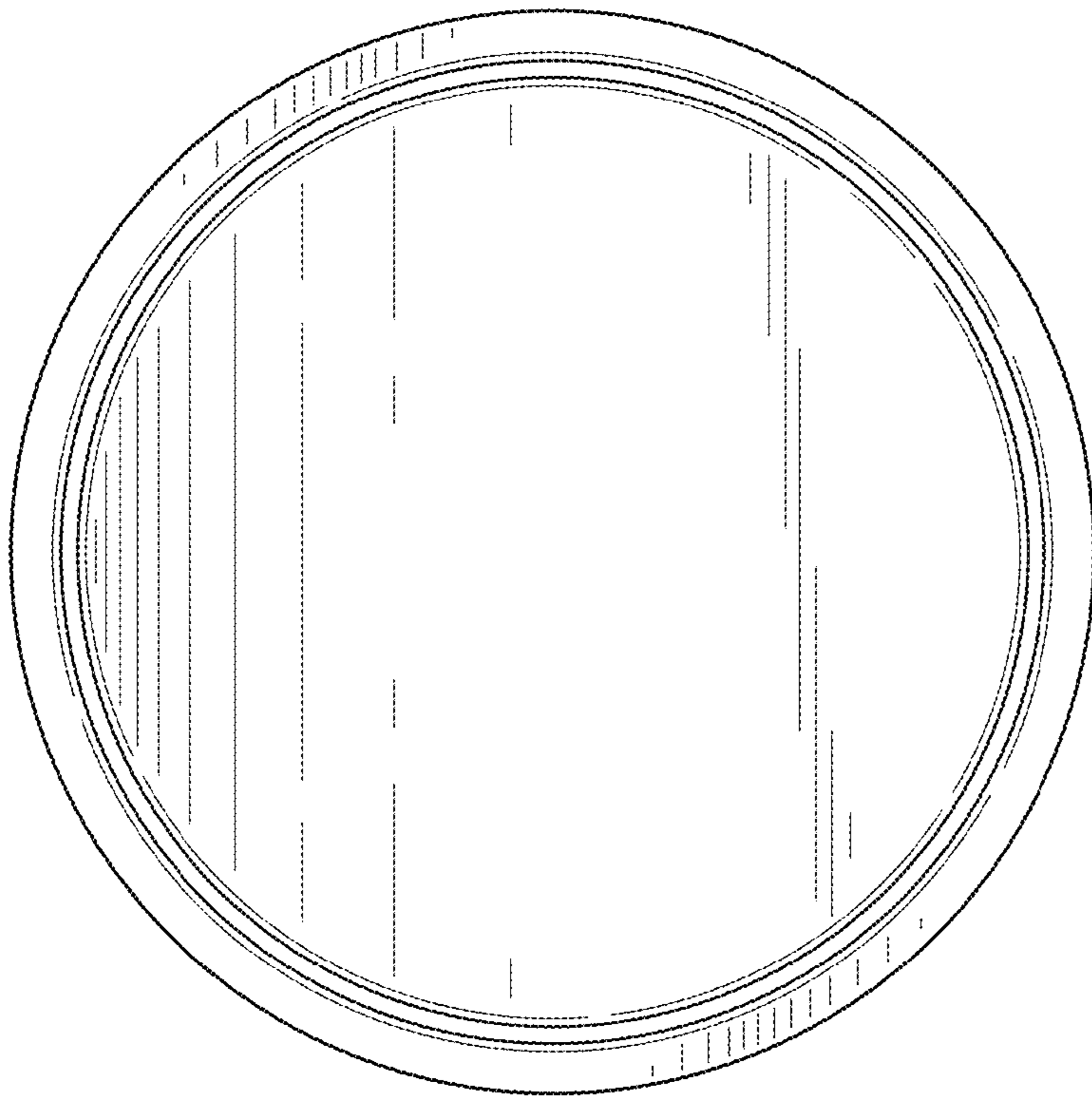
**FIG. 3**



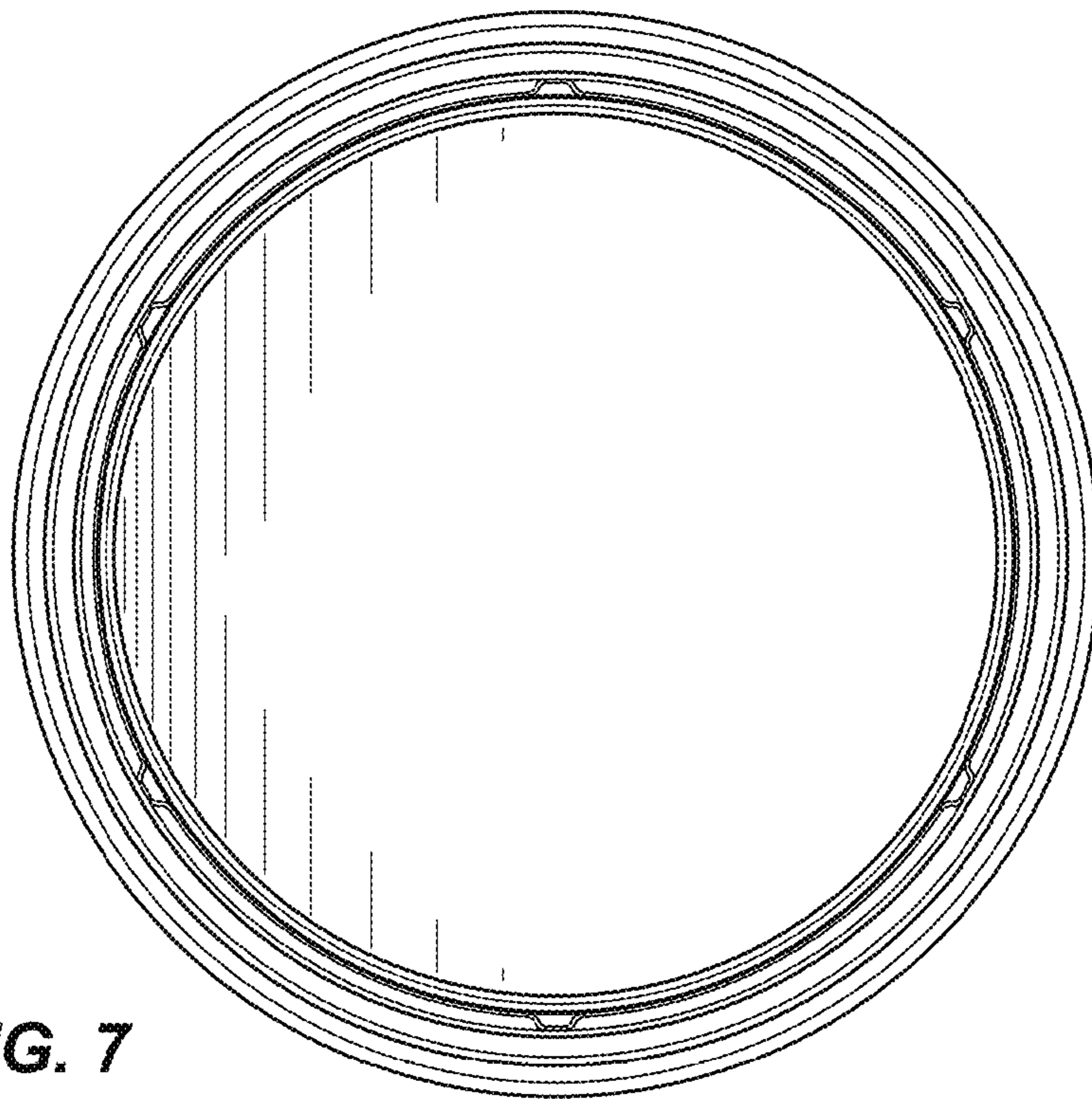
**FIG. 4**



**FIG. 5**

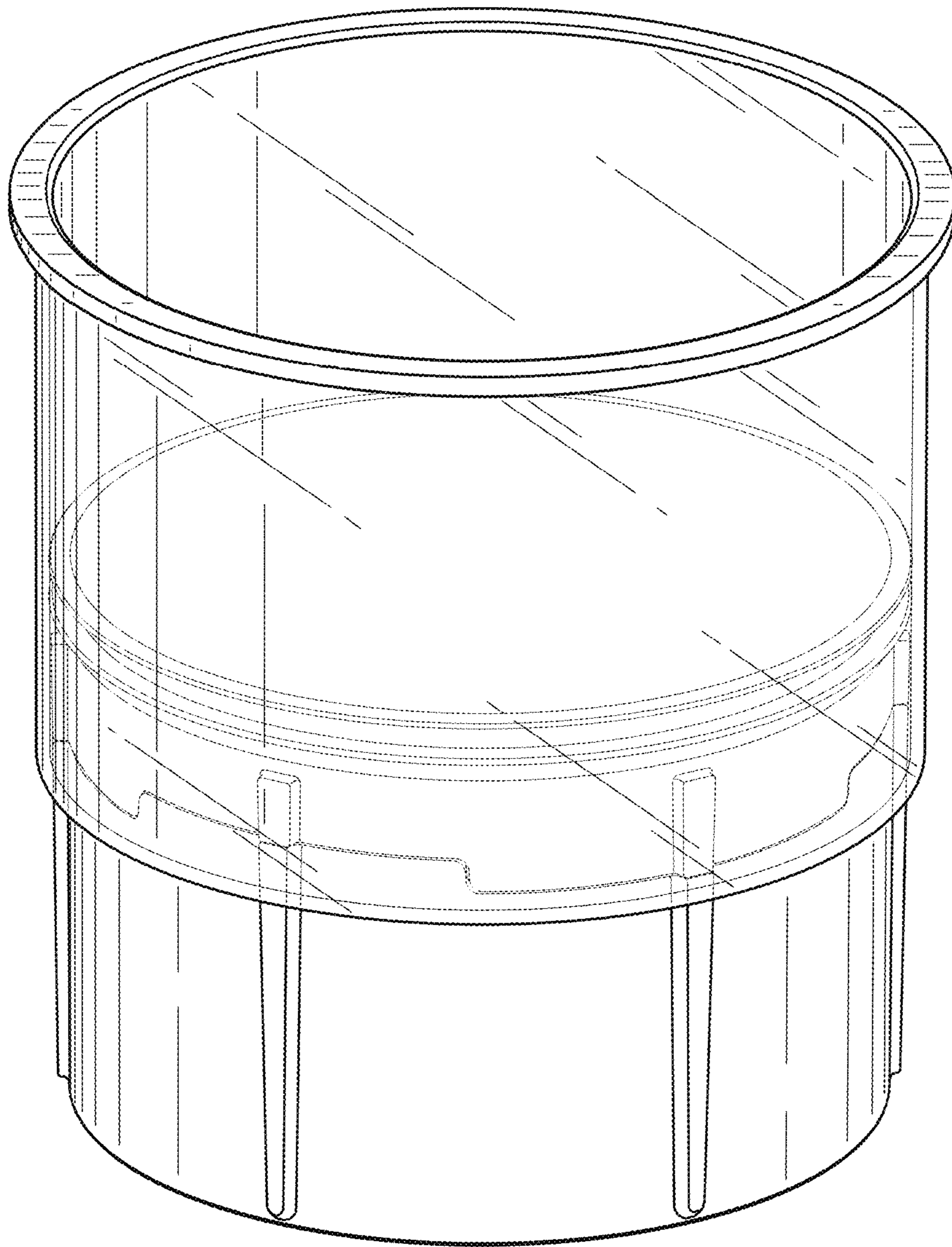


**FIG. 6**

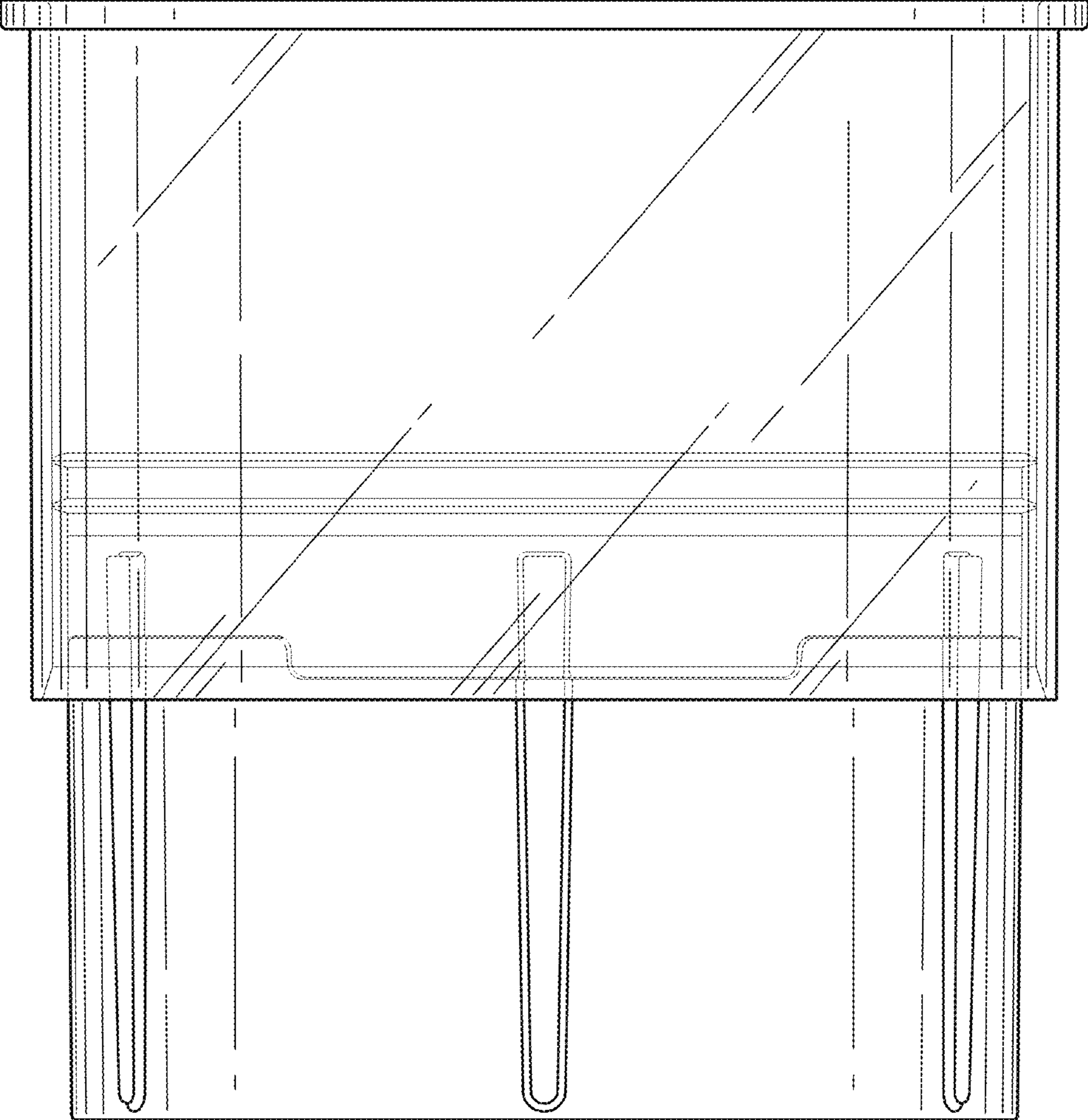


**FIG. 7**

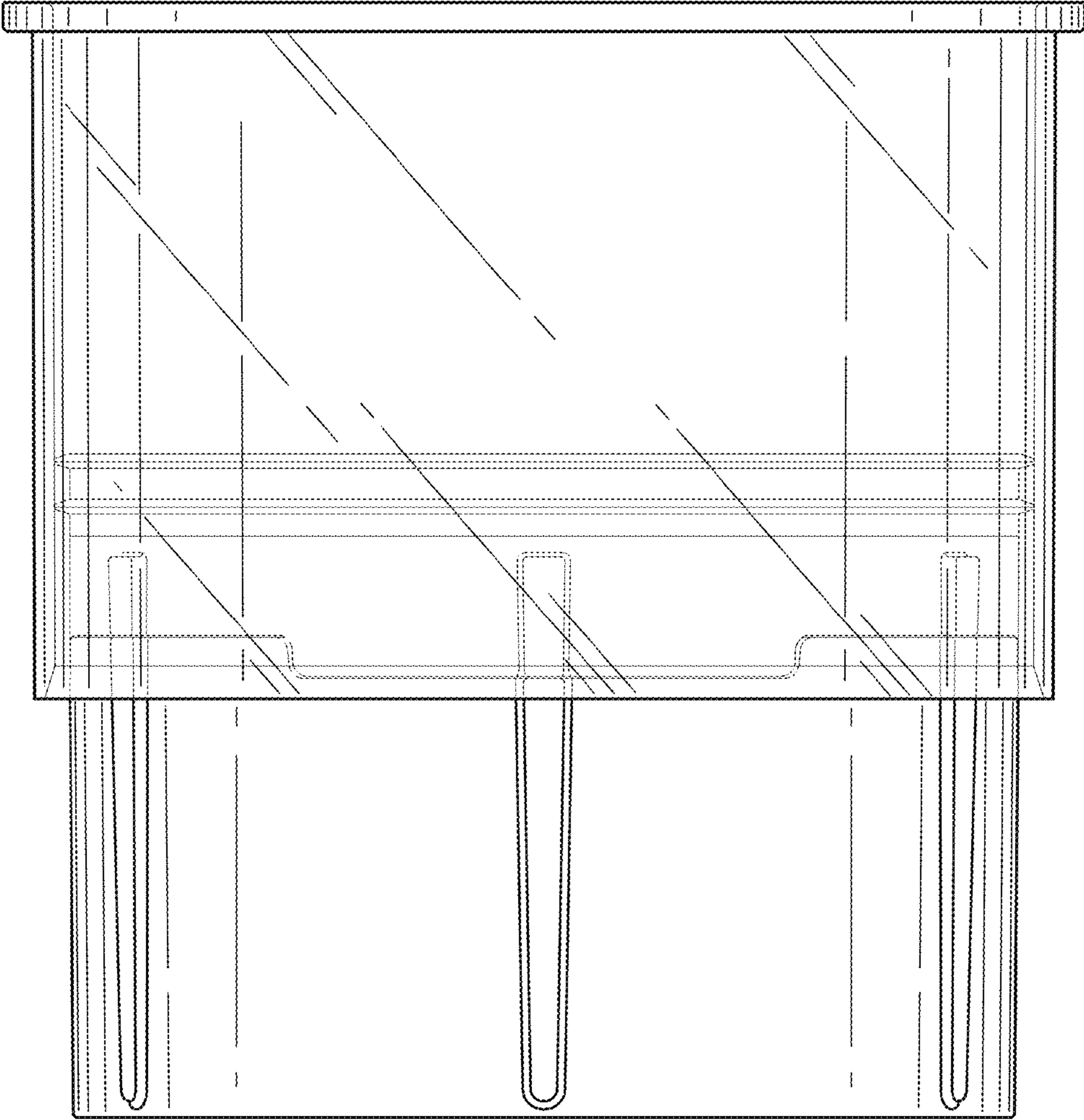




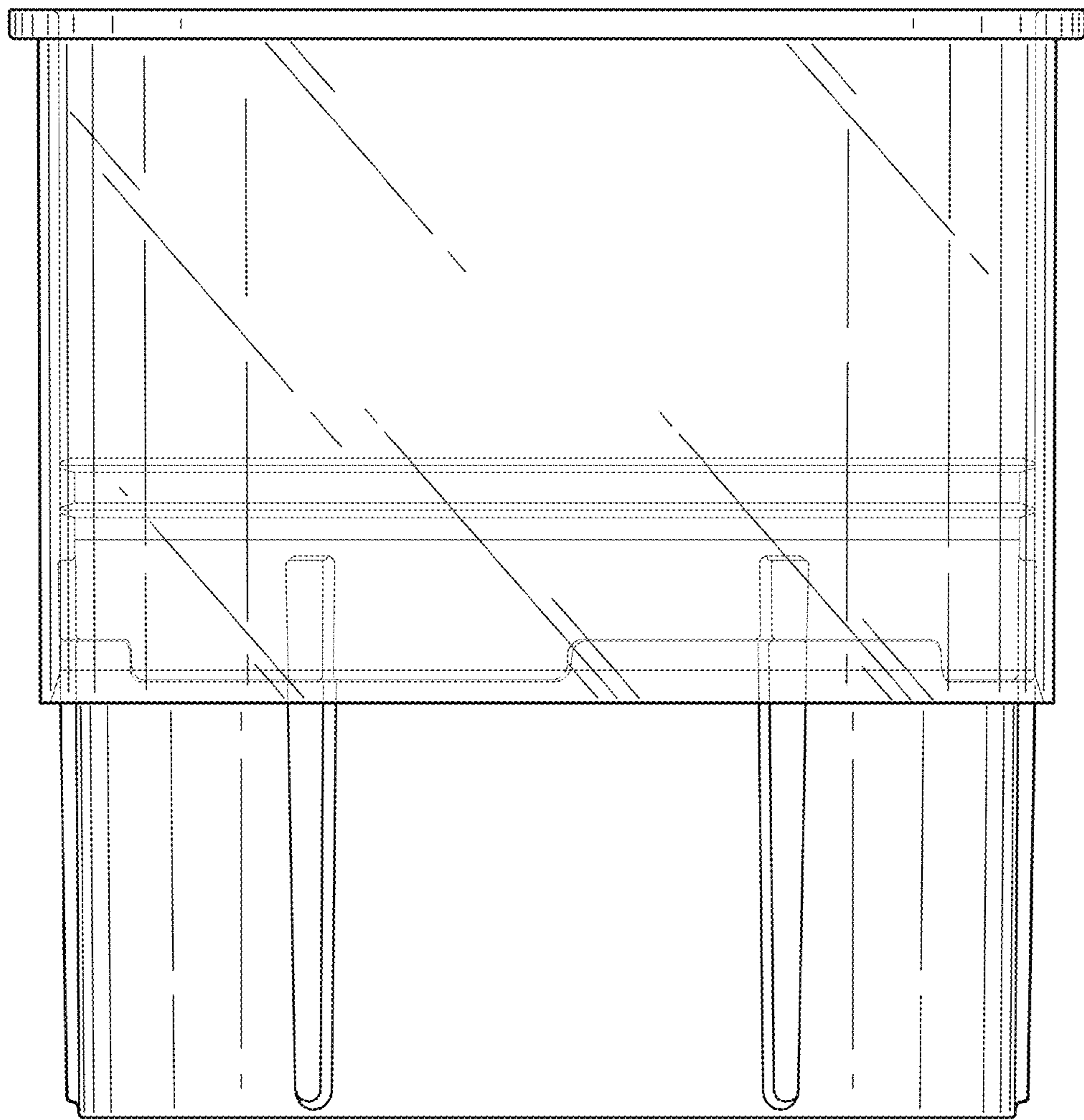
**FIG. 8**



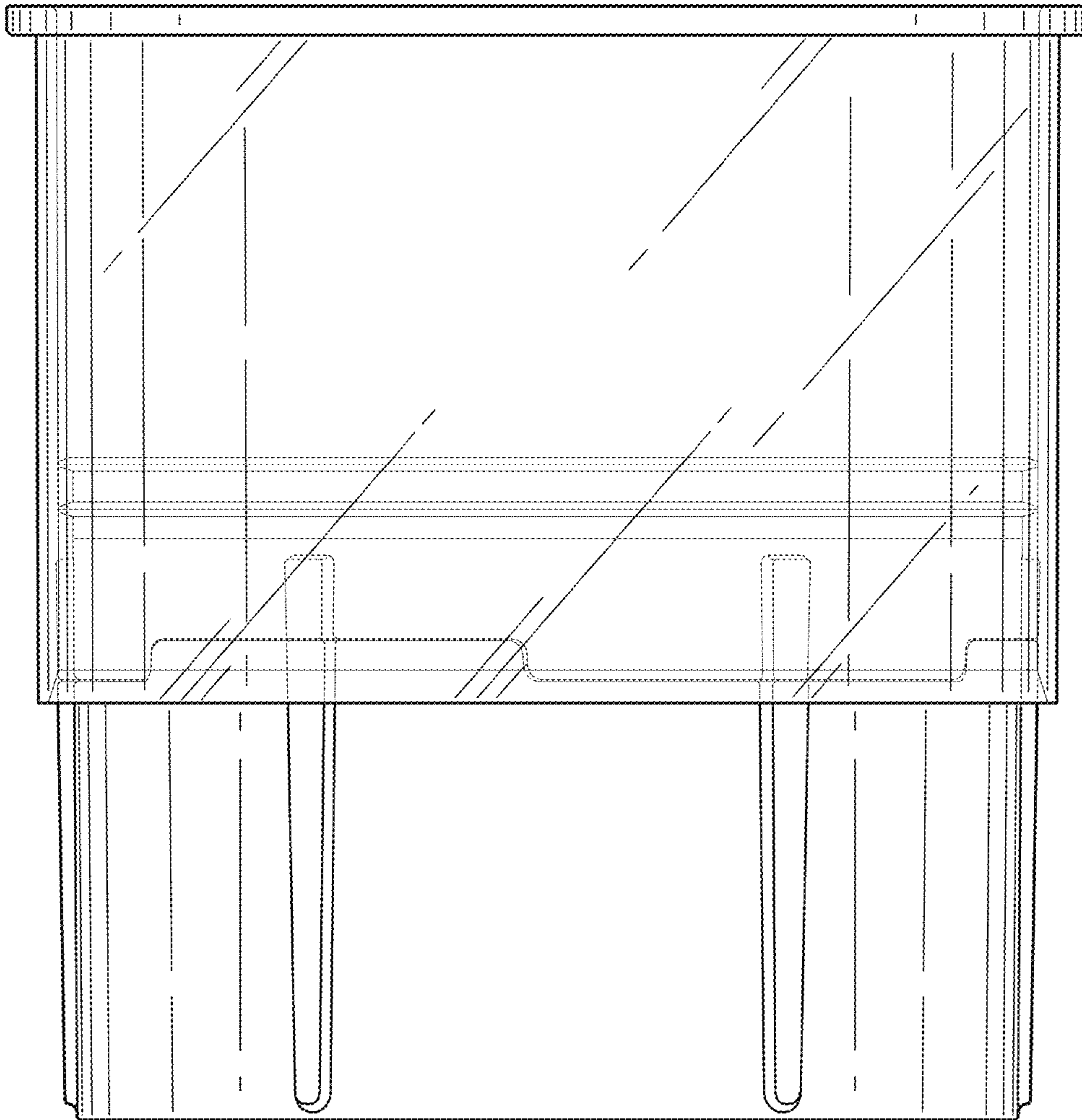
**FIG. 9**



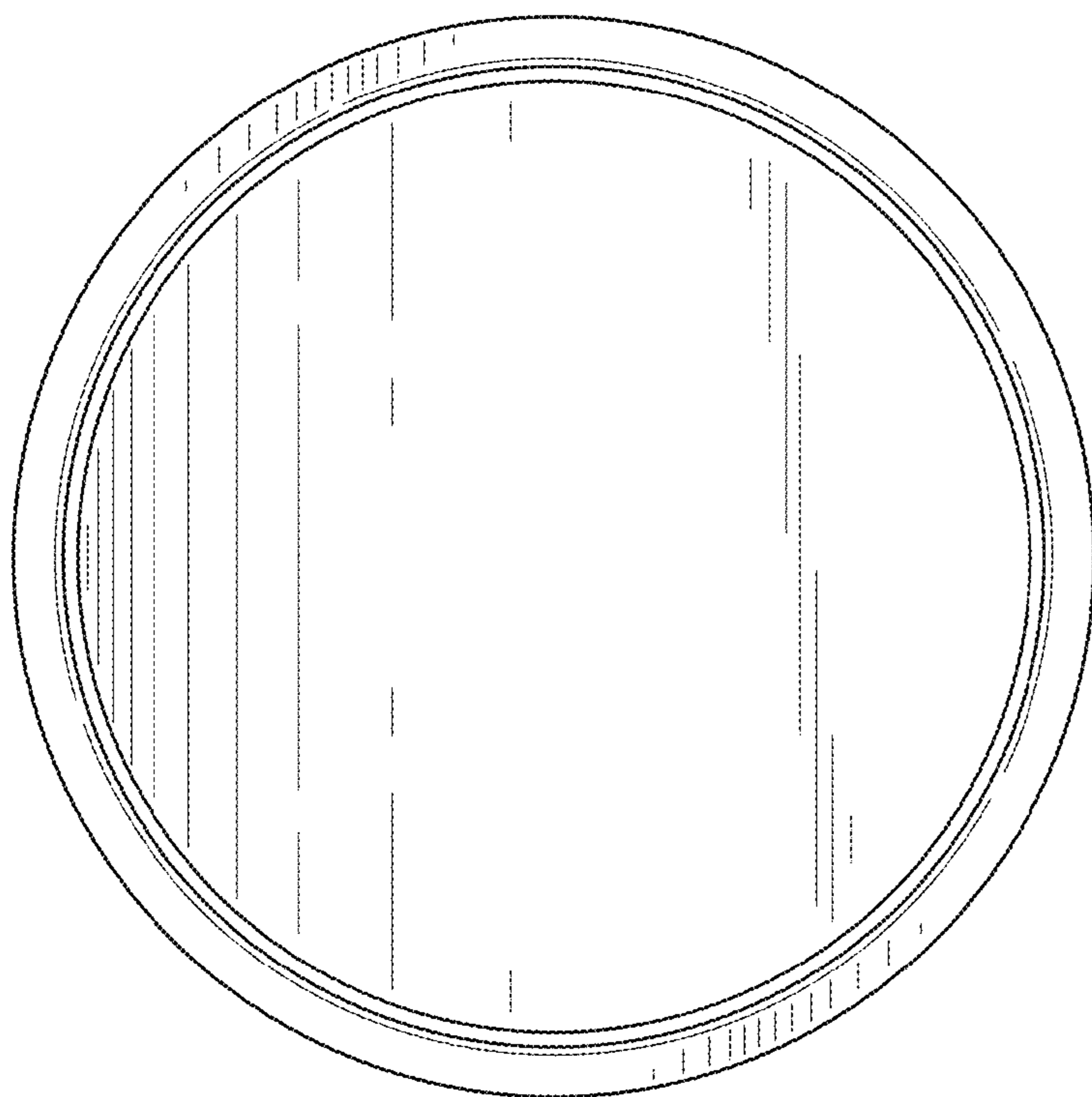
**FIG. 10**



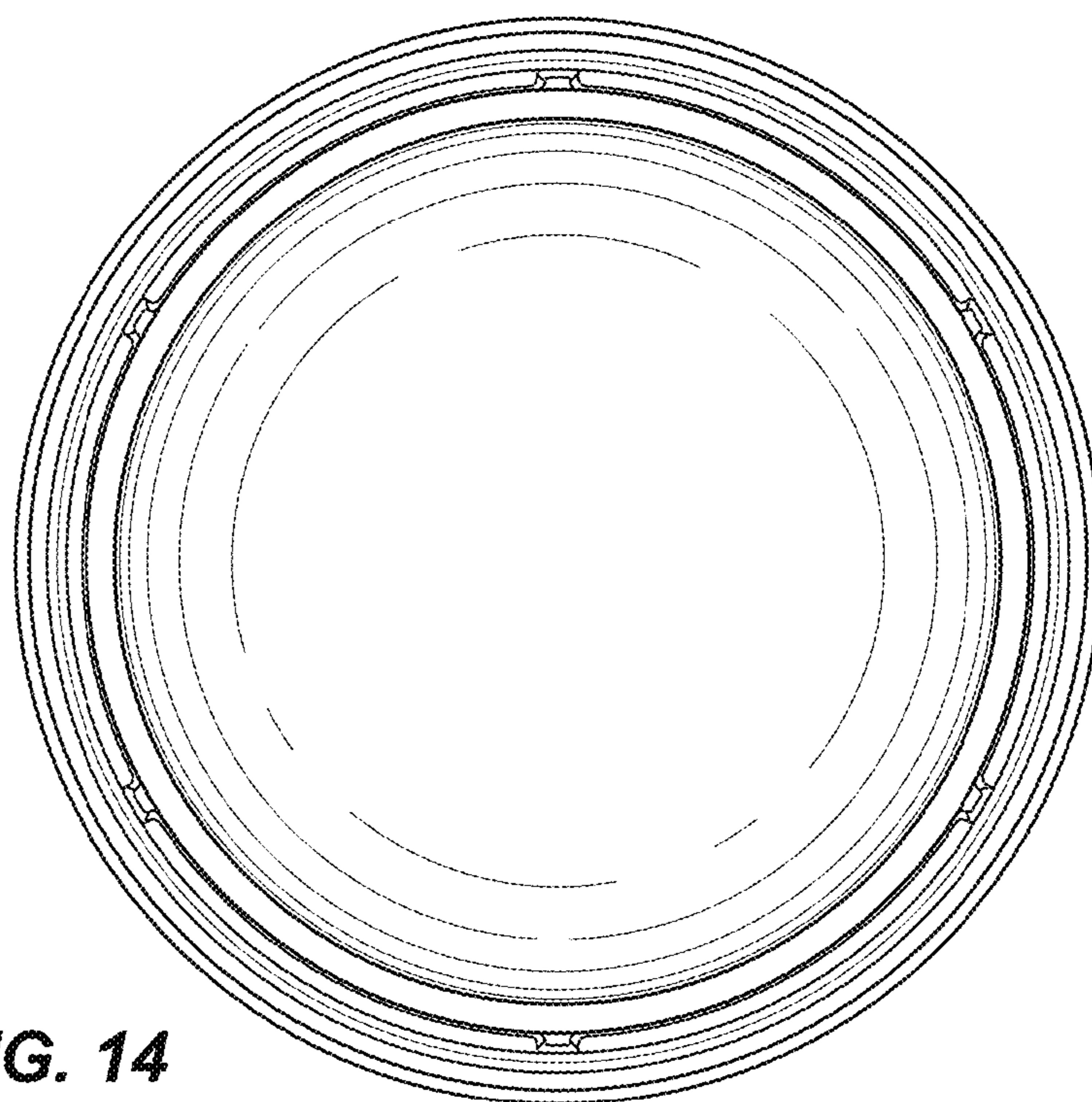
**FIG. 11**



**FIG. 12**



**FIG. 13**



**FIG. 14**