



US00D770238S

(12) **United States Design Patent**
Lundwall

(10) **Patent No.:** **US D770,238 S**
(45) **Date of Patent:** **** Nov. 1, 2016**

(54) **CUP HOLDER**

(71) Applicant: **Ashli Jenae Lundwall**, Springville, UT (US)

(72) Inventor: **Ashli Jenae Lundwall**, Springville, UT (US)

(**) Term: **15 Years**

(21) Appl. No.: **29/541,315**

(22) Filed: **Oct. 2, 2015**

(51) **LOC (10) Cl.** **07-06**

(52) **U.S. Cl.**
USPC **D7/620**

(58) **Field of Classification Search**
USPC D7/601, 602, 619.1, 620, 701, 708.1;
D3/202, 229; D12/419, 420; 220/737;
228/309.1, 310, 311.2, 313;
297/188.14, 188.18
CPC A47B 55/00; A47B 55/02; A47B 73/00;
A47B 73/002; A47B 73/004; A47B 73/006;
A47B 73/008; A47B 69/00; A47G 23/0266;
B65D 81/18; B65D 81/3876; B65D 81/3886
See application file for complete search history.

D396,383 S 7/1998 Hanson
6,039,206 A 3/2000 DeFrancesco
6,149,119 A 11/2000 O'Connell et al.
6,481,685 B1 11/2002 Cormier
6,533,140 B1 3/2003 Freeman
6,575,417 B1 6/2003 Krommenakker
D494,429 S 8/2004 Tuite
D543,783 S 6/2007 Goldberg
D549,525 S 8/2007 Kozel
7,516,931 B2 4/2009 Sarullo
D643,253 S 8/2011 Cilmi
8,087,630 B1 1/2012 Matthews
D657,633 S 4/2012 Butler

(Continued)

FOREIGN PATENT DOCUMENTS

DE 10005746 8/2001
DE 202010009147 U1 11/2010

(Continued)

Primary Examiner — Keli L Hill

(74) *Attorney, Agent, or Firm* — Fabian Vancott; Jeffrey Riddle

(57) **CLAIM**

The ornamental design for a cup holder, as shown and described.

DESCRIPTION

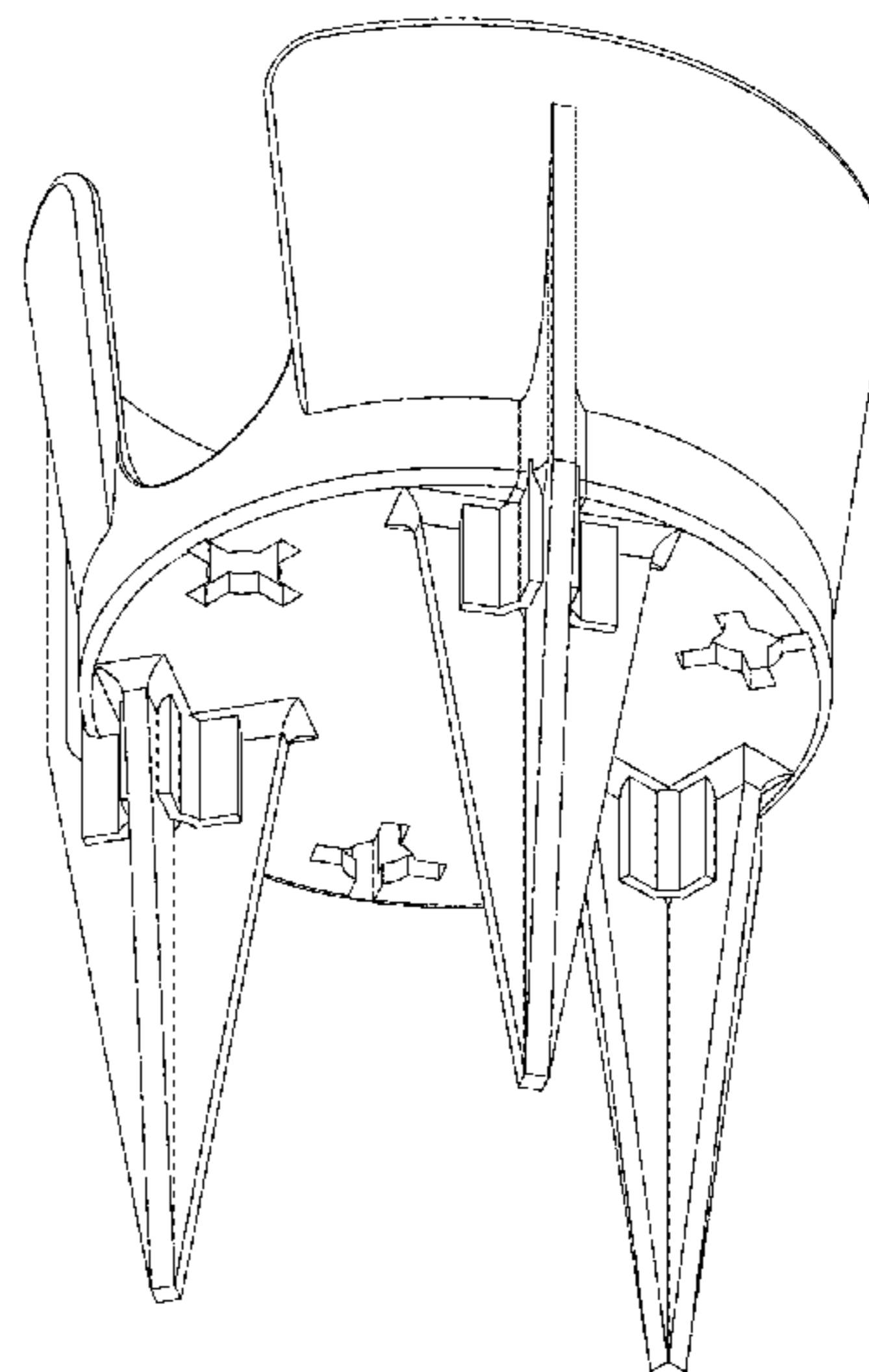
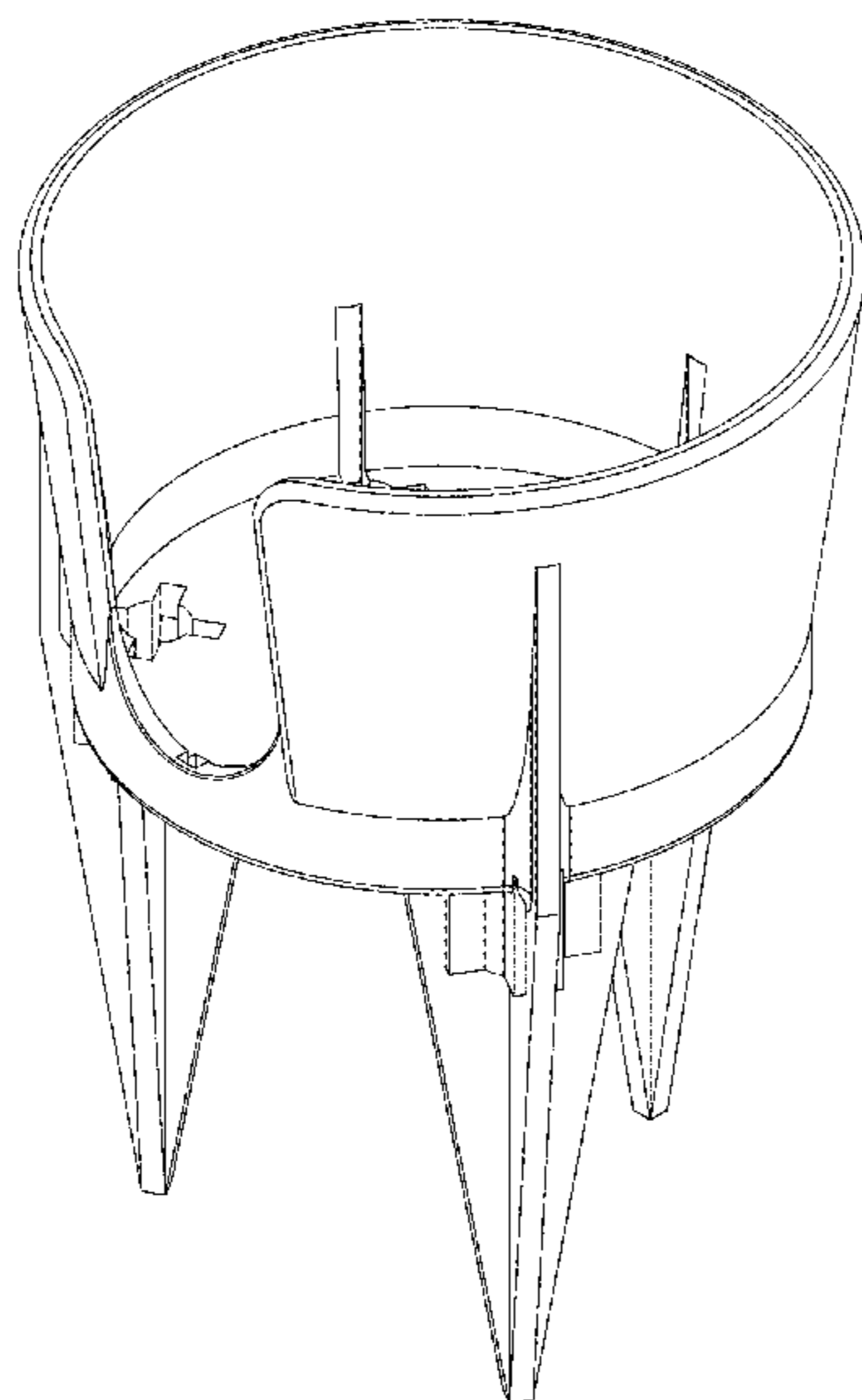
FIG. 1 is a top perspective view of a cup holder showing the new design;
FIG. 2 is a bottom perspective view of a cup holder showing the new design;
FIG. 3 is a top plan view of the cup holder;
FIG. 4 is a bottom plan view of the cup holder;
FIG. 5 is a front elevation view of the cup holder;
FIG. 6 is a right elevation view of the cup holder;
FIG. 7 is a back elevation view of the cup holder; and,
FIG. 8 is a left elevation view of the cup holder.

1 Claim, 8 Drawing Sheets

(56) **References Cited**

U.S. PATENT DOCUMENTS

1,326,086 A 12/1919 Ormandy
2,506,321 A 5/1950 Vosburgh
3,627,394 A 12/1971 Benn
D227,798 S * 7/1973 Anderson, Jr. D26/12
D264,385 S * 5/1982 Meyer D26/9
D307,692 S 5/1990 Shoup
4,969,618 A 11/1990 Thompson
D325,678 S 4/1992 Niles
D369,527 S 5/1996 Tesoriero
5,586,647 A 12/1996 Barta
D395,097 S * 6/1998 Barton D27/135



(56)

References Cited

U.S. PATENT DOCUMENTS

D669,741 S * 10/2012 Shaw D7/619.1
D676,716 S 2/2013 Lalo
D705,013 S 5/2014 Audibert
8,857,656 B2 10/2014 Marcades
9,051,082 B1 6/2015 Klinge
2002/0130236 A1 9/2002 Swensen
2005/0073832 A1 4/2005 Shilton
2006/0249089 A1 11/2006 Behunin
2006/0278769 A1 12/2006 Pineda

2008/0179341 A1 7/2008 Kozel
2008/0197140 A1 8/2008 Cheslock
2011/0233361 A1 9/2011 Hull
2013/0264440 A1 10/2013 Auracher
2014/0332644 A1 11/2014 Davis

FOREIGN PATENT DOCUMENTS

GB 492981 9/1938
GB 2504285 1/2014
KR 100721411 5/2007

* cited by examiner

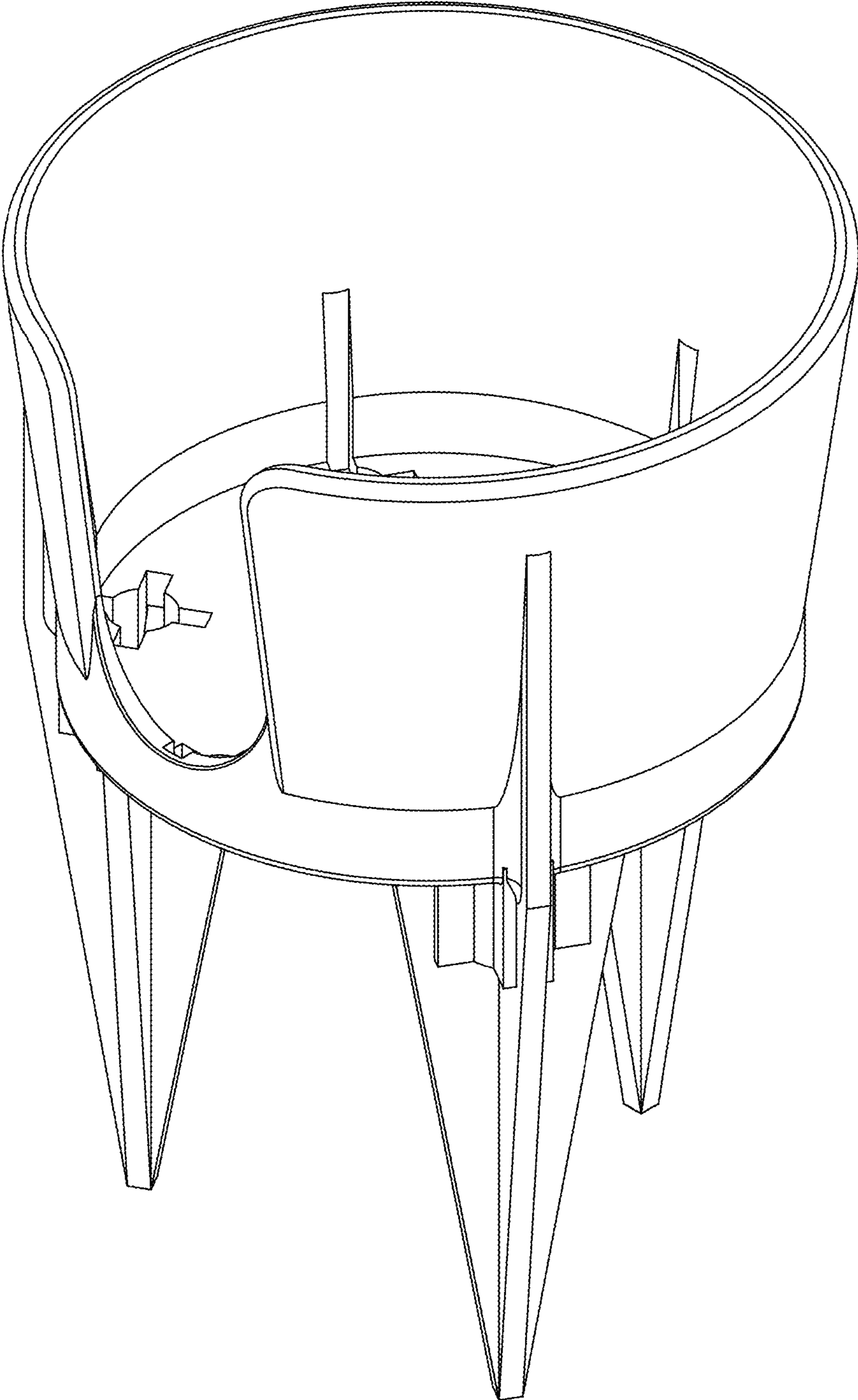


Fig. 1

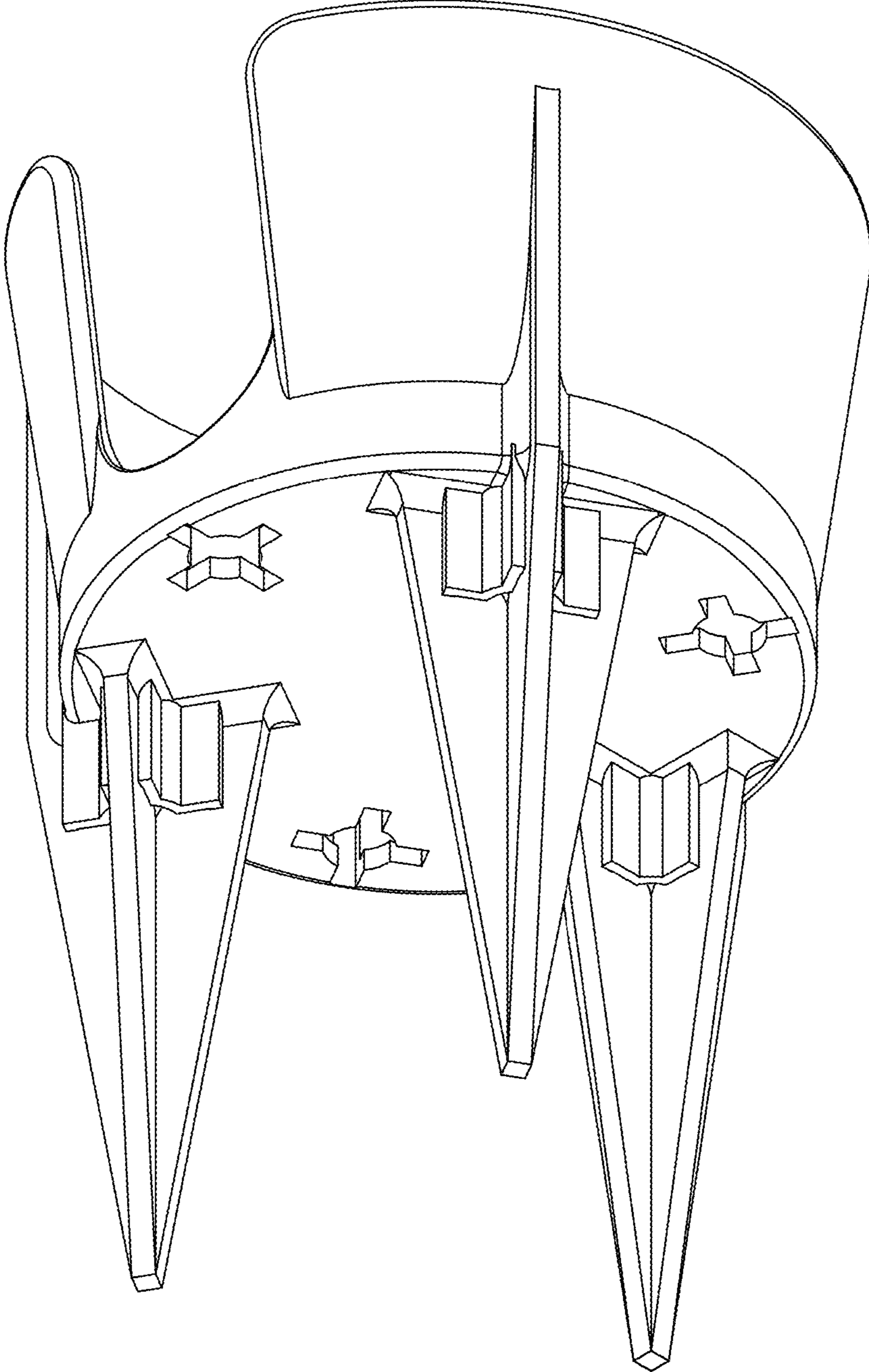


Fig. 2

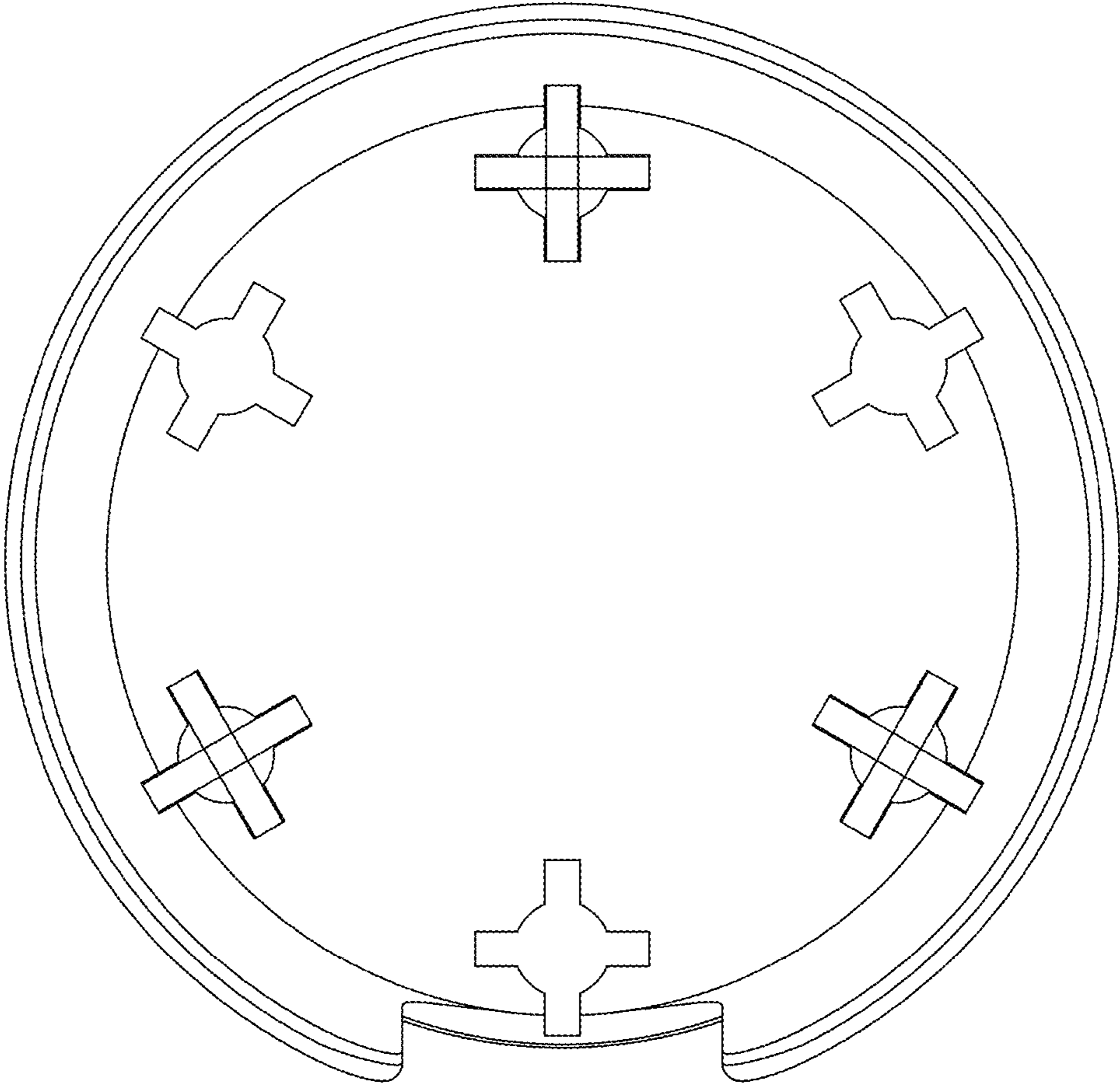


Fig. 3

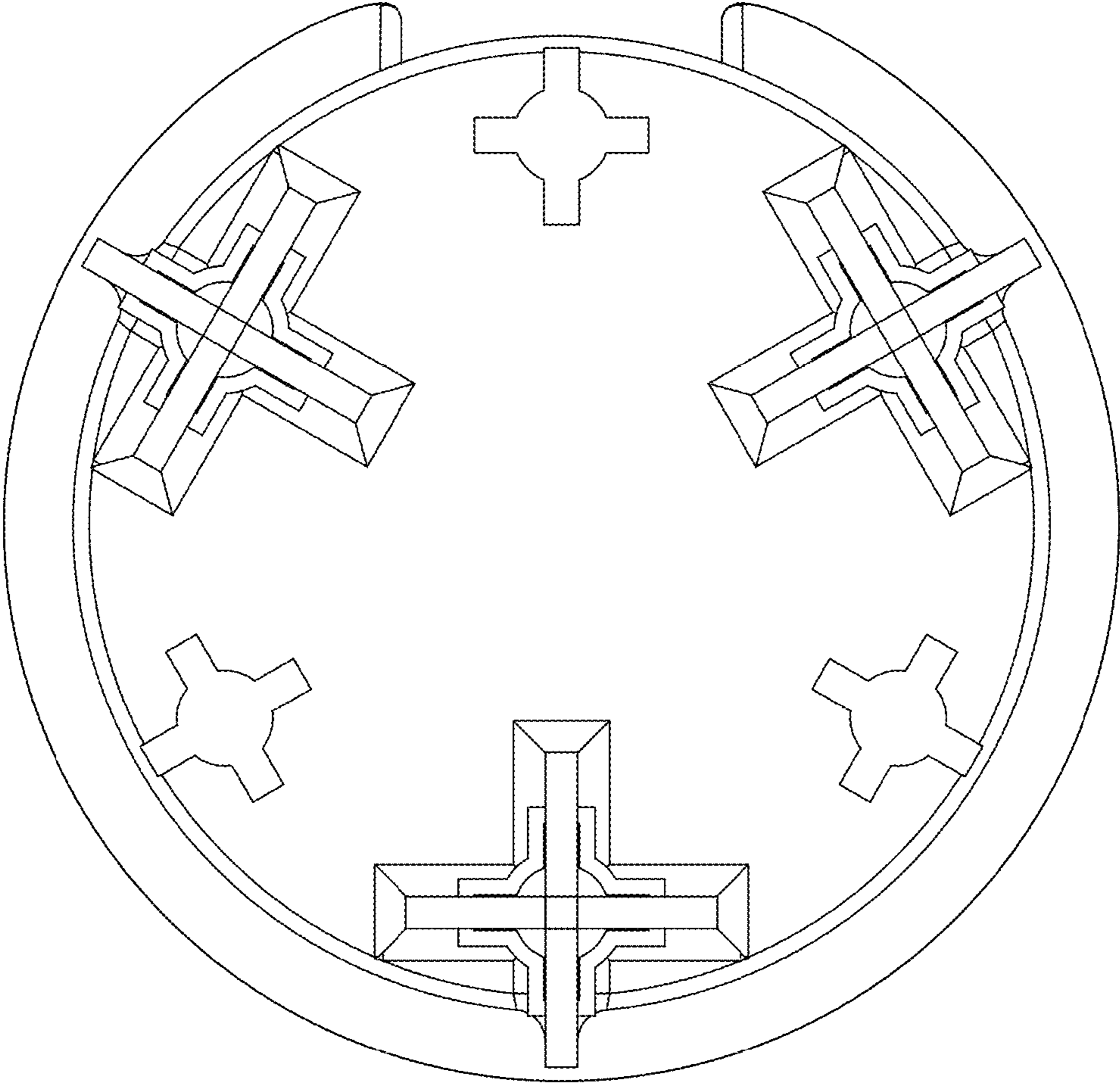


Fig. 4

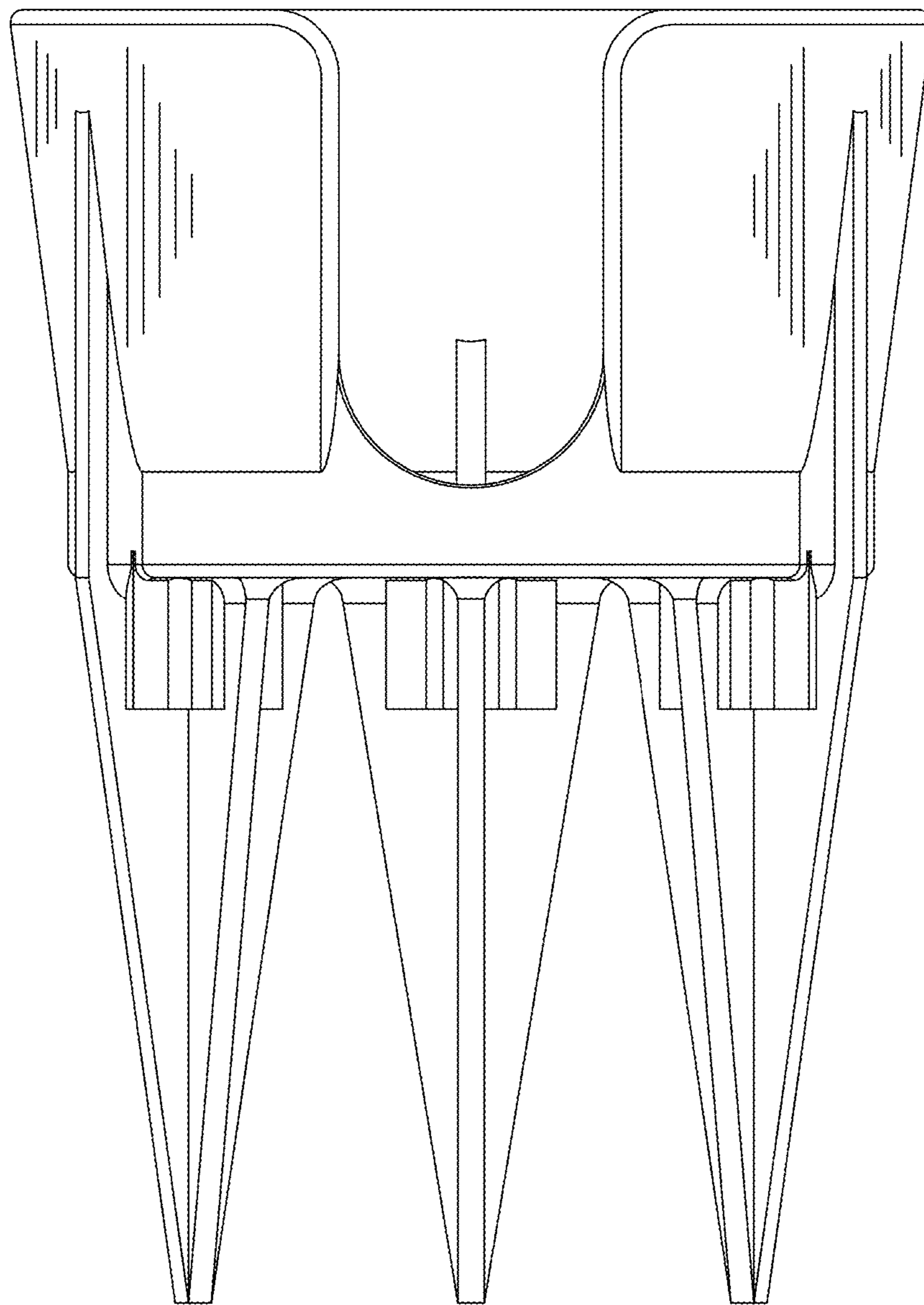


Fig. 5

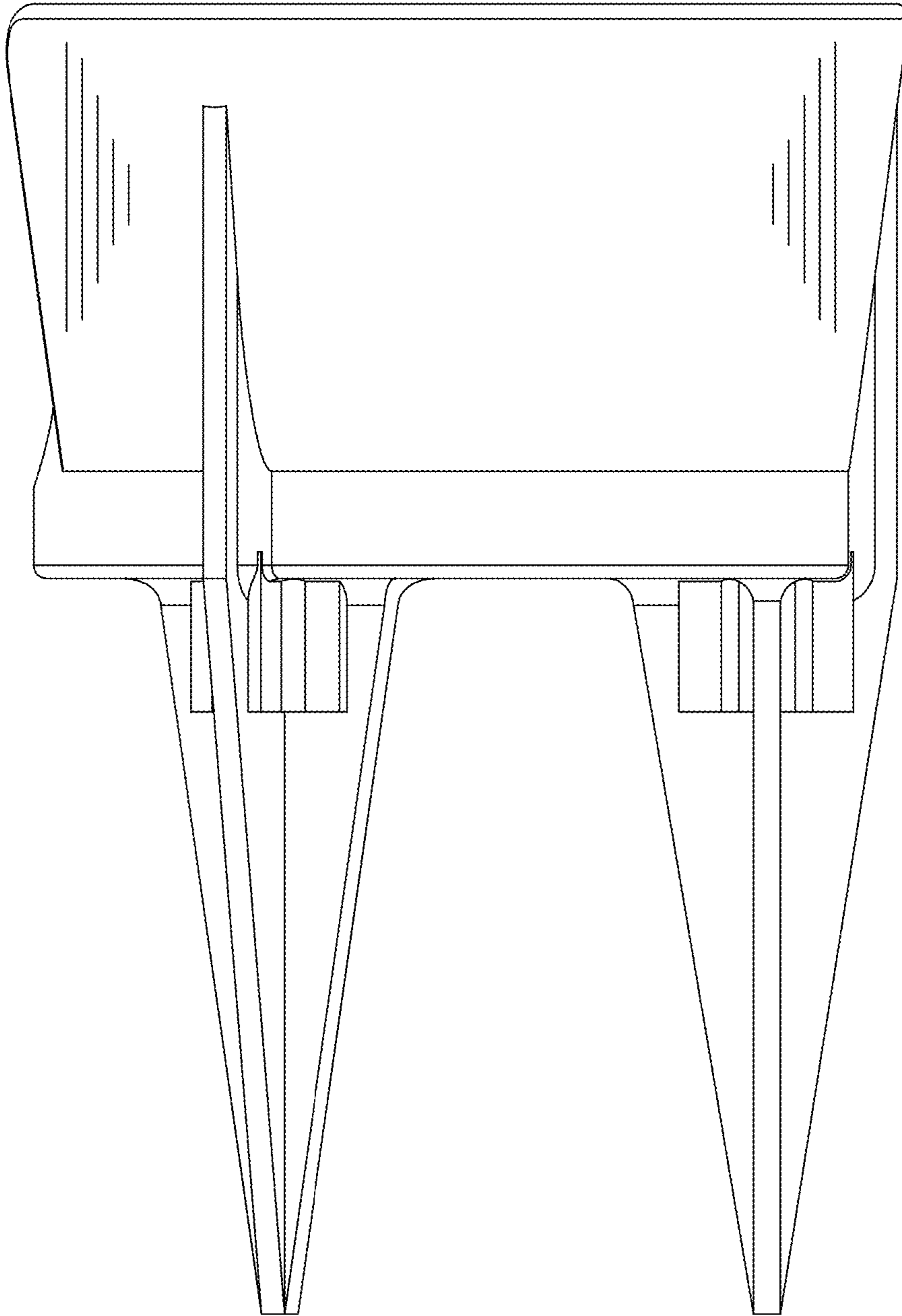


Fig. 6

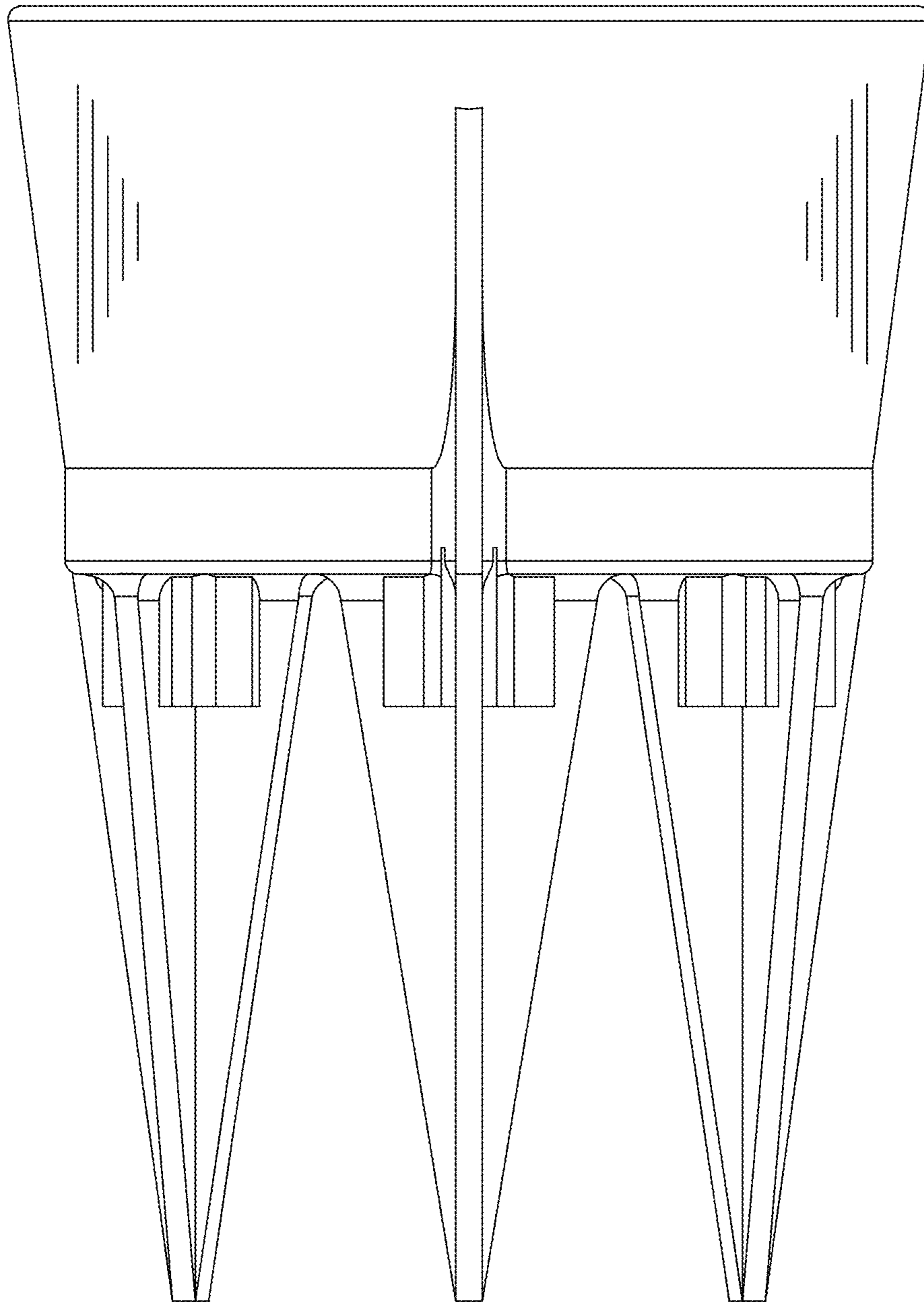


Fig. 7

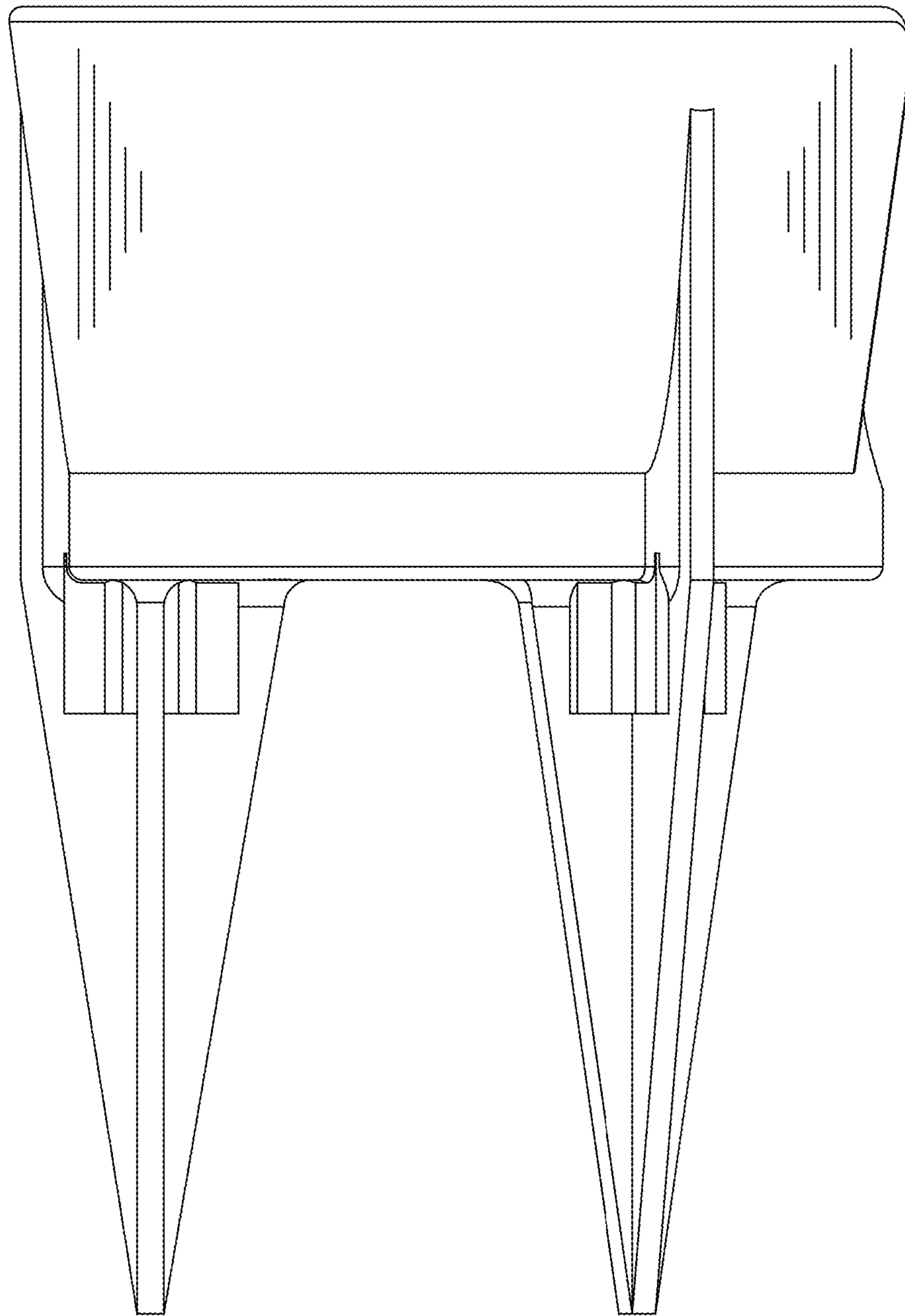


Fig. 8