



US00D770236S

(12) **United States Design Patent**
Pattipati

(10) **Patent No.:** **US D770,236 S**

(45) **Date of Patent:** **** *Nov. 1, 2016**

(54) **WINE BOTTLE HOLDER**

(71) Applicant: **Venkateswara Prasad Pattipati,**
Rancho Cucamonga, CA (US)

(72) Inventor: **Venkateswara Prasad Pattipati,**
Rancho Cucamonga, CA (US)

(*) Notice: This patent is subject to a terminal disclaimer.

(**) Term: **14 Years**

(21) Appl. No.: **29/499,379**

(22) Filed: **Aug. 14, 2014**

(51) **LOC (10) Cl.** **07-06**

(52) **U.S. Cl.**
USPC **D7/619.1**

(58) **Field of Classification Search**
USPC D7/619.1-625, 701-708; D8/355, 356,
D8/373, 380; D12/411; D34/31
CPC A61M 25/02; A61J 9/06; B60N 3/101;
A47G 7/044
See application file for complete search history.

(56) **References Cited**

U.S. PATENT DOCUMENTS

3,702,612 A * 11/1972 Schlesinger A61M 25/02
128/DIG. 26
4,474,354 A * 10/1984 Field B60N 3/101
211/81

D298,915 S * 12/1988 Rowley D8/356
D367,254 S * 2/1996 Lince D12/411
7,562,853 B2 * 7/2009 Mazzola A47G 7/044
248/311.2
D600,067 S * 9/2009 Forsyth D7/387
D600,077 S * 9/2009 Barnes, Jr. D7/620

* cited by examiner

Primary Examiner — Terry Wallace

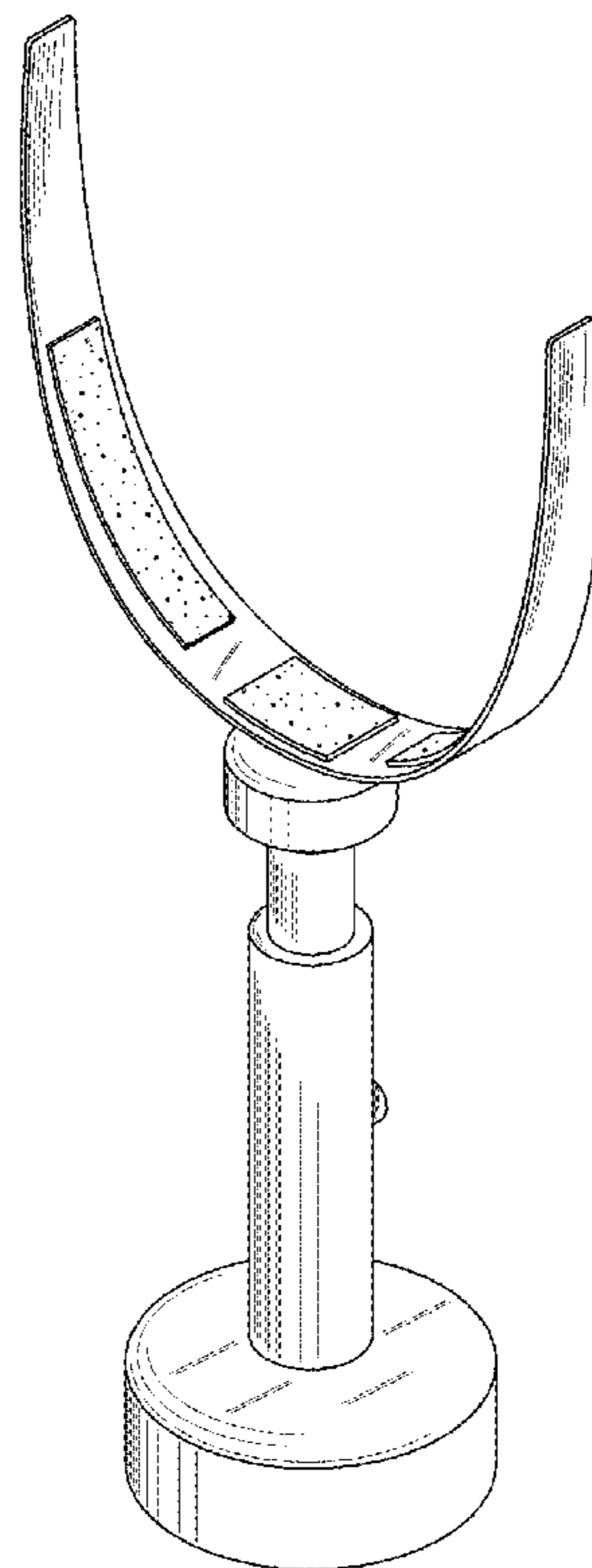
(57) **CLAIM**

The ornamental design for a wine bottle holder, as shown and described.

DESCRIPTION

FIG. 1 is a front view of a wine bottle holder showing my new design.
FIG. 2 is a bottom plan view thereof.
FIG. 3 is a rear view thereof.
FIG. 4 is a top perspective view thereof.
FIG. 5 is a right side view thereof.
FIG. 6 is a left side view thereof.
FIG. 7 is a top plan view thereof; and,
FIG. 8 is a top perspective view thereof with the wine bottle shown in broken lines for illustrative purposes only and forming no part of the claimed design.
The broken line showing wine bottle is included for the purpose of illustrating environmental structure and forms no part of the claimed design.

1 Claim, 8 Drawing Sheets



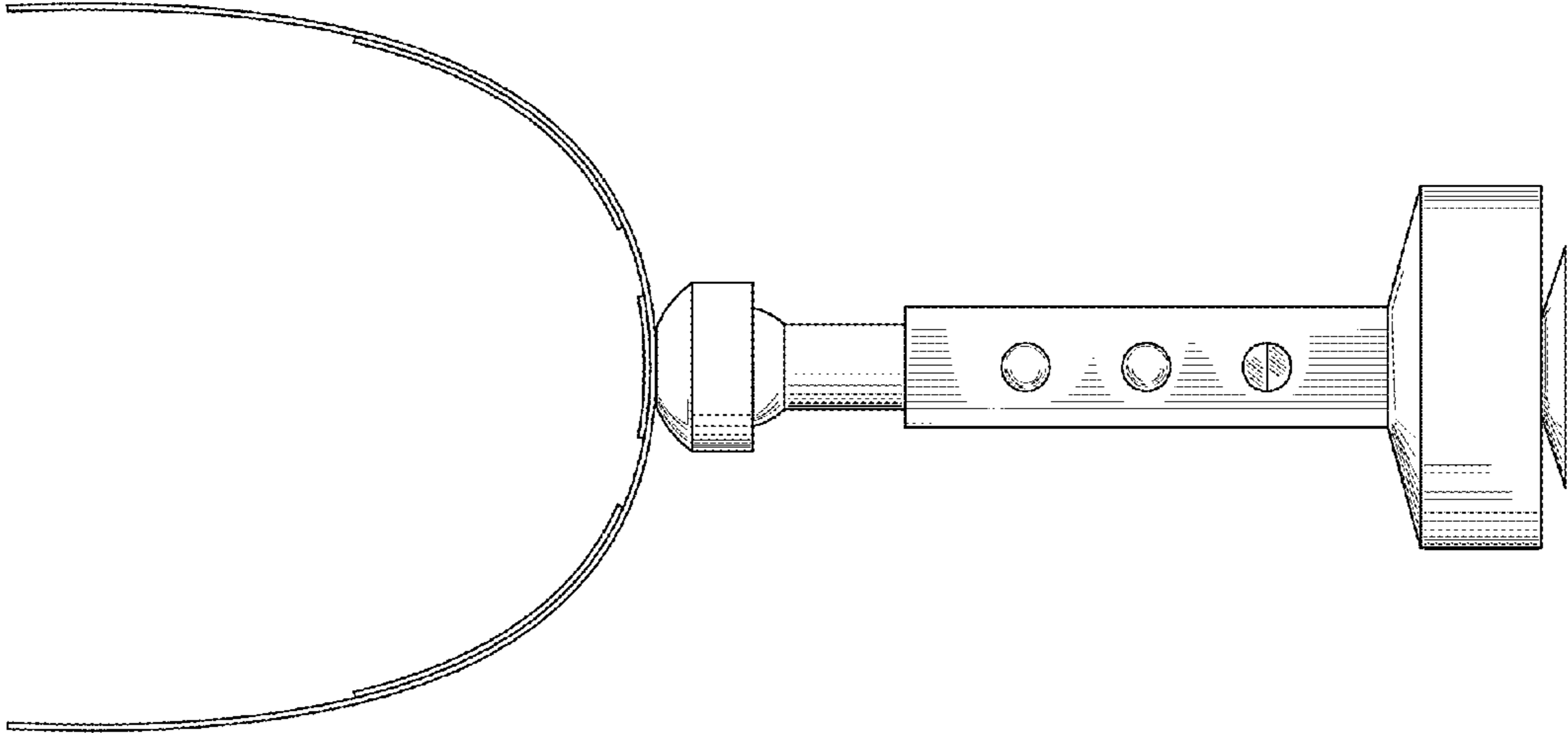


FIG. 1

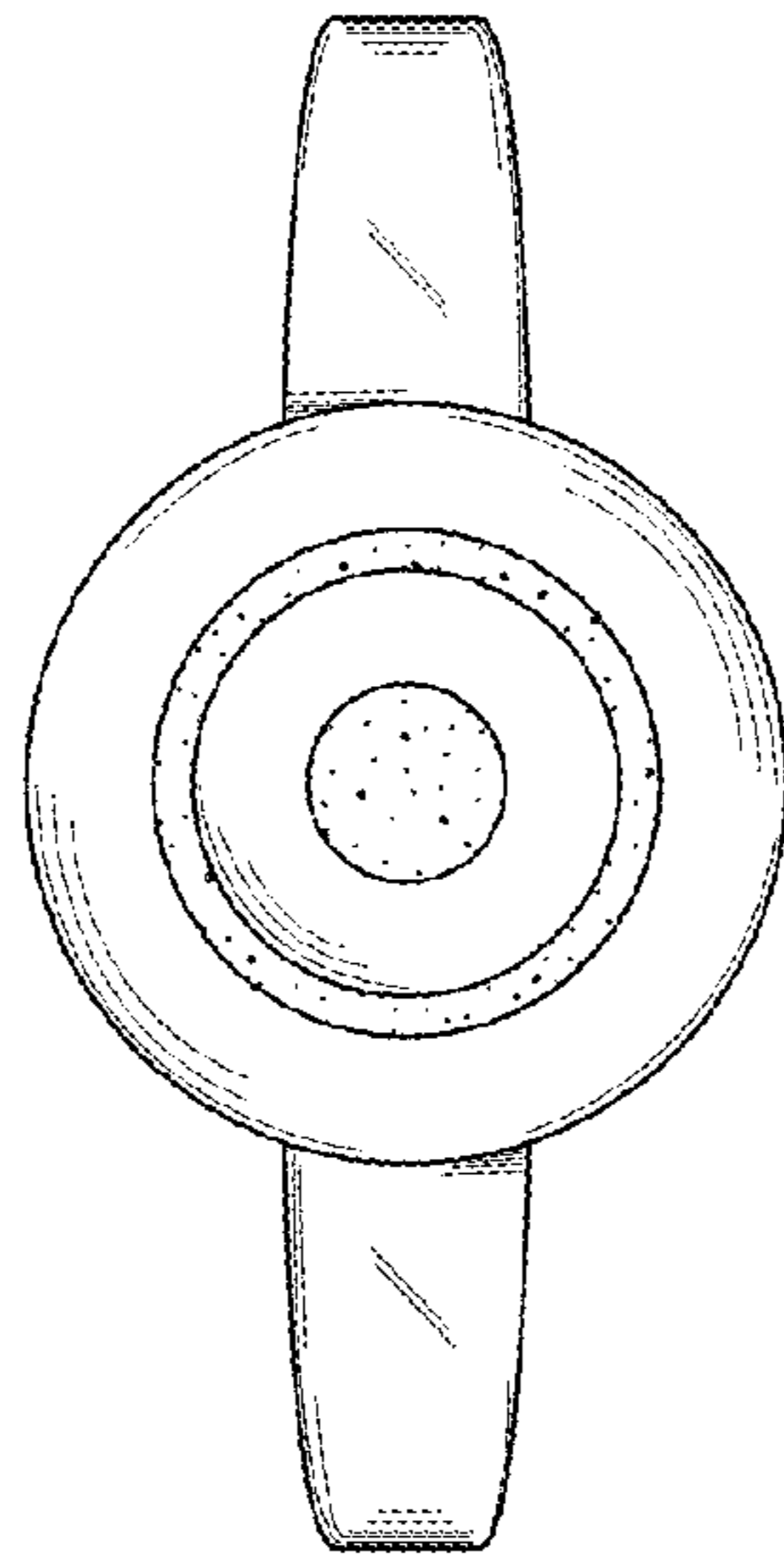


FIG. 2

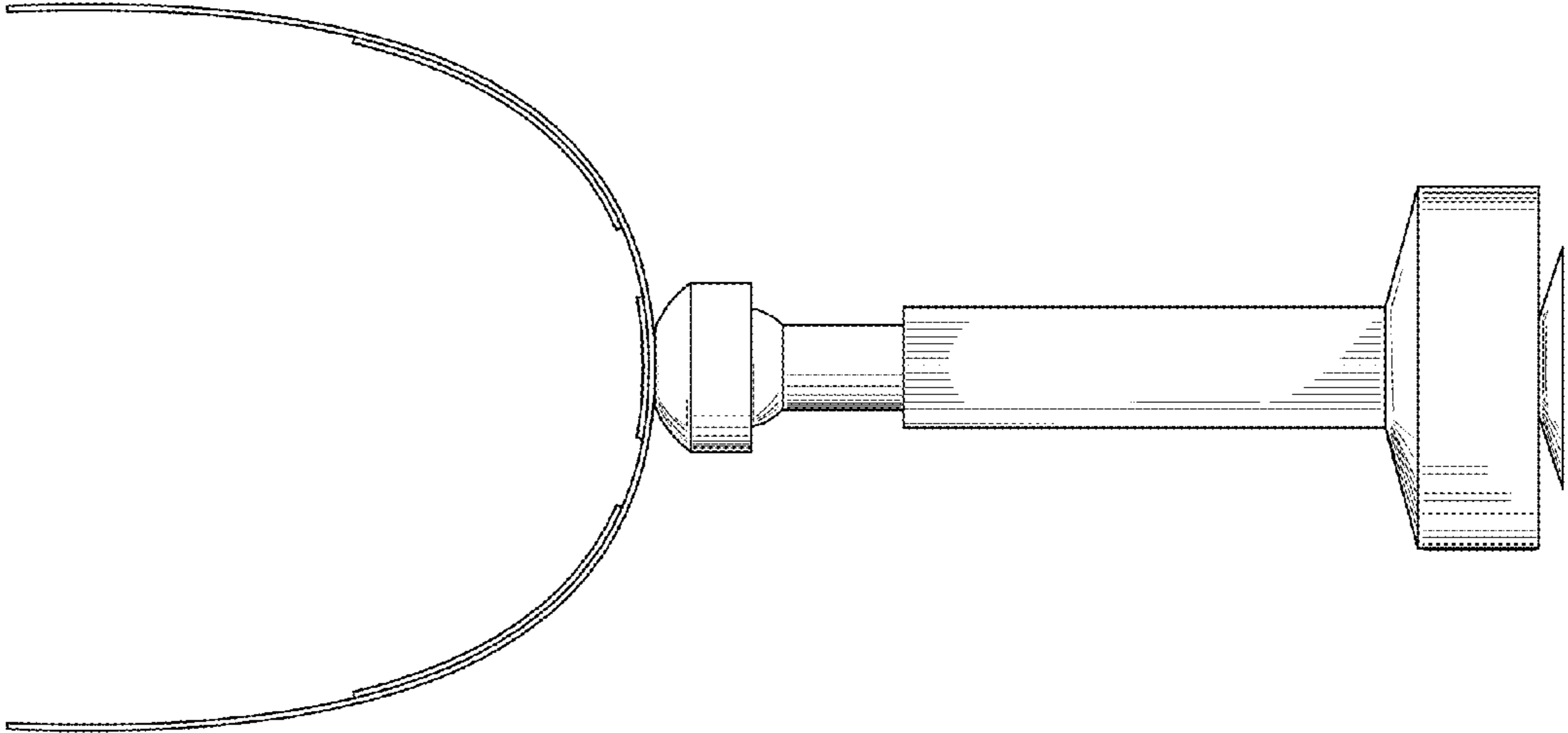


FIG. 3

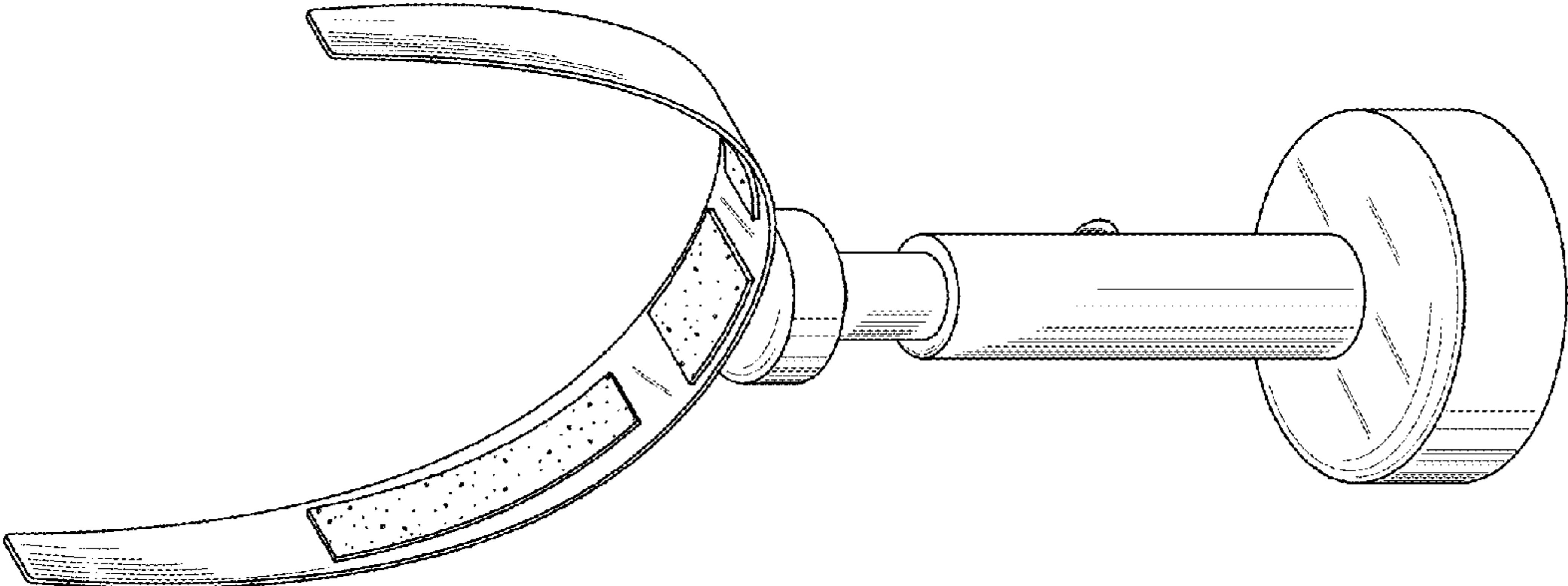


FIG. 4

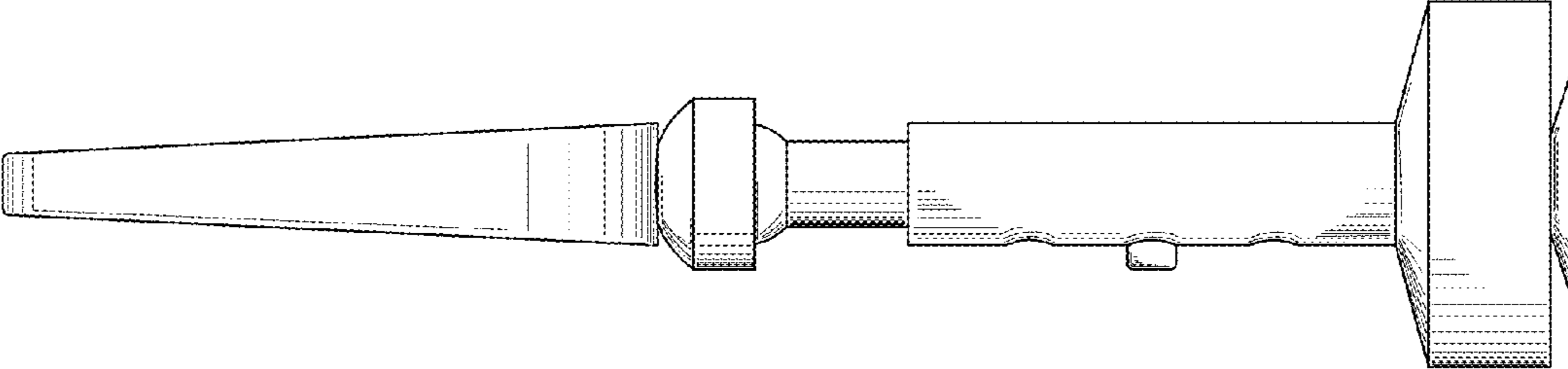


FIG. 5

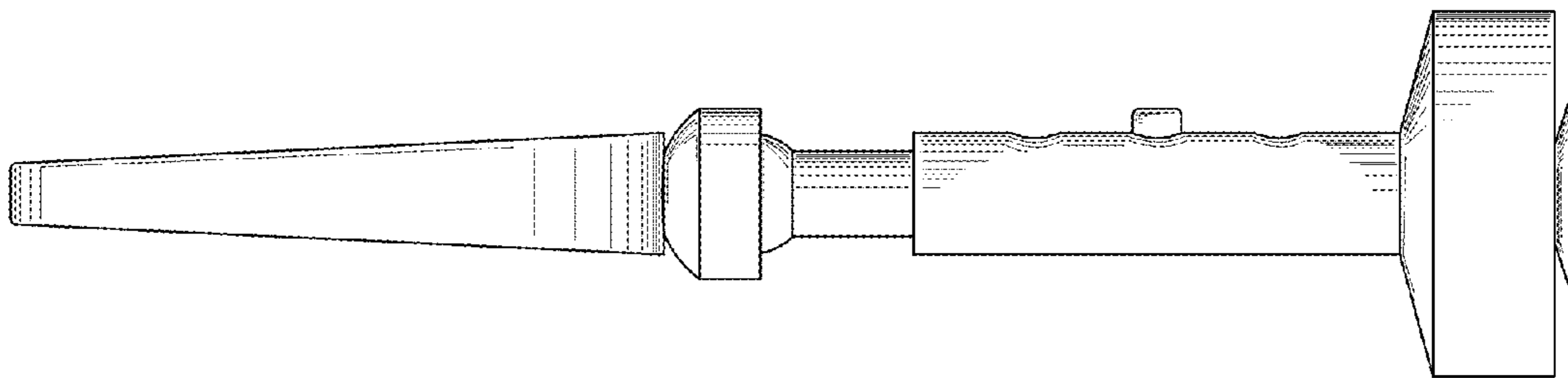


FIG. 6

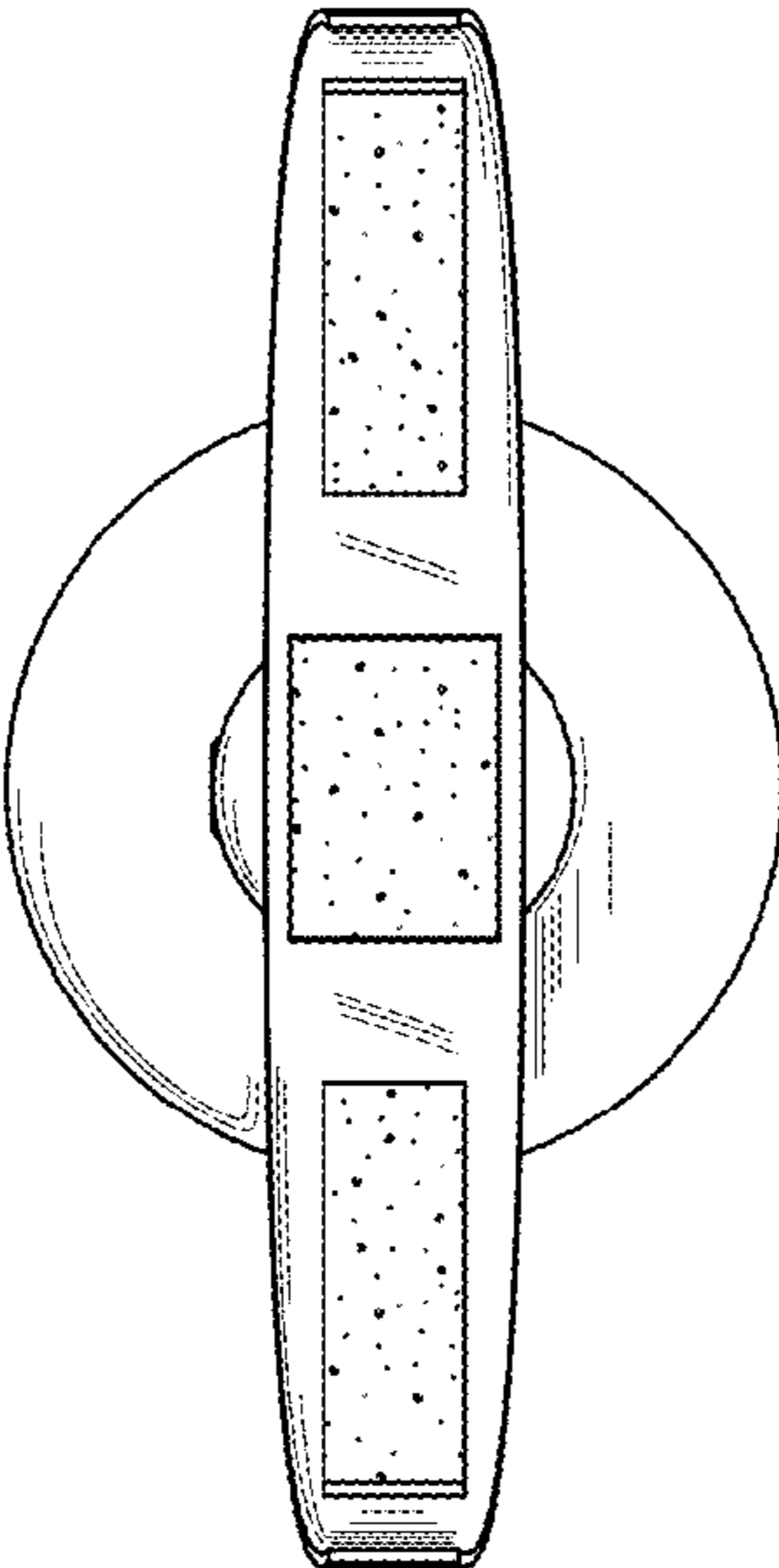


FIG. 7

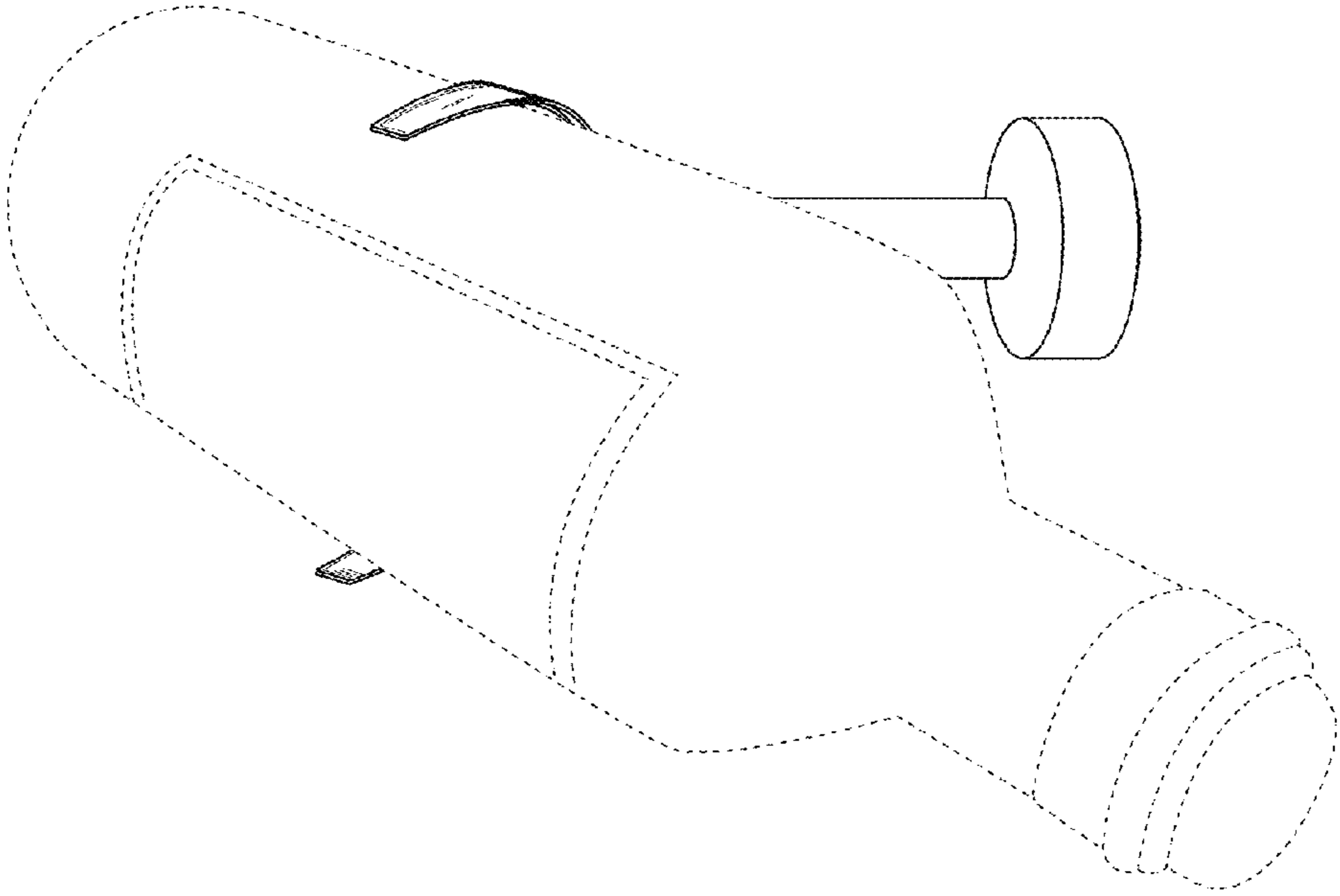


FIG. 8