



US00D770228S

(12) **United States Design Patent**  
**Pan**

(10) **Patent No.:** **US D770,228 S**

(45) **Date of Patent:** **\*\* Nov. 1, 2016**

(54) **PERSONAL BLADE DEVICE FOR BLENDING AND GRINDING**

(71) Applicant: **Guangshe Pan**, Brea, CA (US)

(72) Inventor: **Guangshe Pan**, Brea, CA (US)

(\*\*) Term: **15 Years**

(21) Appl. No.: **29/539,290**

(22) Filed: **Sep. 11, 2015**

(51) **LOC (10) Cl.** ..... **31-00**

(52) **U.S. Cl.**  
USPC ..... **D7/413; D7/37; D7/378; D7/386; D7/412**

(58) **Field of Classification Search**

USPC ..... D7/300.1, 372, 376-386, 396.2, D7/412-413, 510, 602, 629, 665-666, 669, D7/679, 693-694

CPC ..... A21C 1/02; A21C 1/04; A23N 1/00; A23N 1/02; A47G 19/22; A47J 43/04; A47J 43/25; A47J 43/042; A47J 43/044; A47J 43/046; A47J 43/075; A47J 43/0722; A47J 43/0727; A47J 43/0766; B01F 3/00; B01F 3/0807; B01F 3/0853; B01F 7/0025; B01F 13/0059; B01F 13/0064; B02C 1/08; B02C 2/04; B02C 4/42; B02C 4/142; B02C 4/143; B02C 4/423; B02C 13/1835; B28C 5/10; B28C 5/12; B28C 5/14; B28C 5/16

See application file for complete search history.

(56) **References Cited**

**U.S. PATENT DOCUMENTS**

- 6,834,818 B2 \* 12/2004 Lee ..... A47J 43/0722 241/282.2
- D518,994 S \* 4/2006 Lin ..... D7/378
- D549,043 S \* 8/2007 Beesley ..... D7/374
- D597,372 S \* 8/2009 Nordwall ..... D7/378
- 7,641,380 B2 \* 1/2010 Behar ..... A47J 43/0722 241/282.1
- D624,359 S \* 9/2010 Schleinzer ..... D7/384
- D682,030 S \* 5/2013 Ezechukwu ..... D7/376
- D684,817 S \* 6/2013 Leavitt ..... D7/412

- D690,159 S \* 9/2013 Gursel ..... D7/376
- 8,950,930 B2 \* 2/2015 Wang ..... A47J 43/046 366/205
- 2005/0099884 A1 \* 5/2005 Lee ..... A47J 43/0722 366/205
- 2009/0260236 A1 \* 10/2009 Lin ..... A47J 43/0722 30/265
- 2012/0080549 A1 \* 4/2012 Rukavina ..... B01F 7/0025 241/282.1

\* cited by examiner

*Primary Examiner* — Ricky Pham

(74) *Attorney, Agent, or Firm* — Tsz Lung Yeung

(57) **CLAIM**

The ornamental design for a personal blade device for blending and grinding, substantially as shown and described.

**DESCRIPTION**

FIG. 1 is a perspective view of a personal blade device for blending and grinding showing my new design.

FIG. 2 is a front end view thereof.

FIG. 3 is a rear end view thereof.

FIG. 4 is a left side view thereof.

FIG. 5 is a right side view thereof.

FIG. 6 is a top view thereof.

FIG. 7 is a bottom view thereof.

FIG. 8 is a perspective view of a personal blade device for blending and grinding which is reduced by 50% in scale showing the personal blade device for blending and grinding being connected to a blender connector for connecting between a blender cup to a blender.

FIG. 9 is a front end view thereof.

FIG. 10 is a rear end view thereof.

FIG. 11 is a left side view thereof.

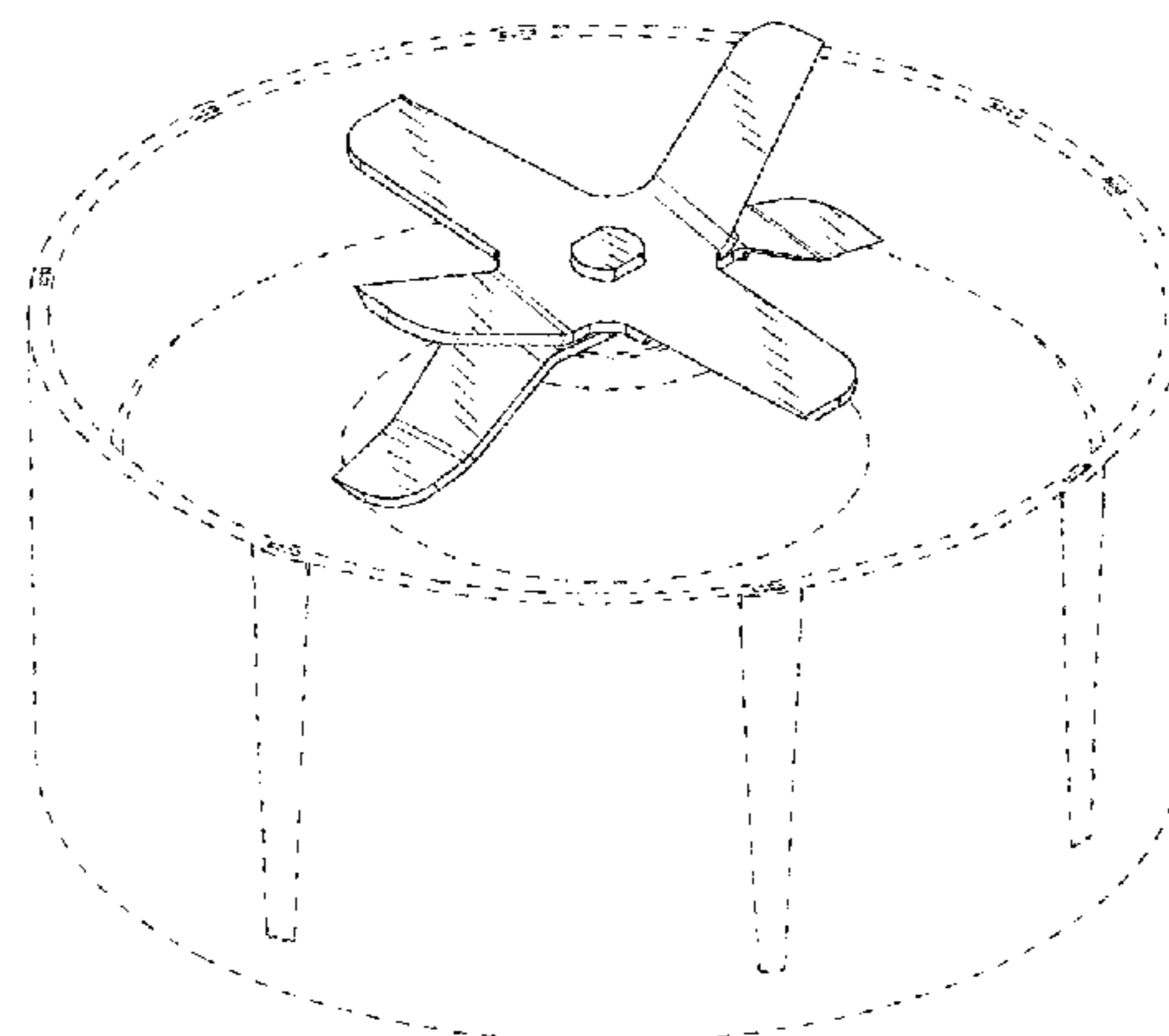
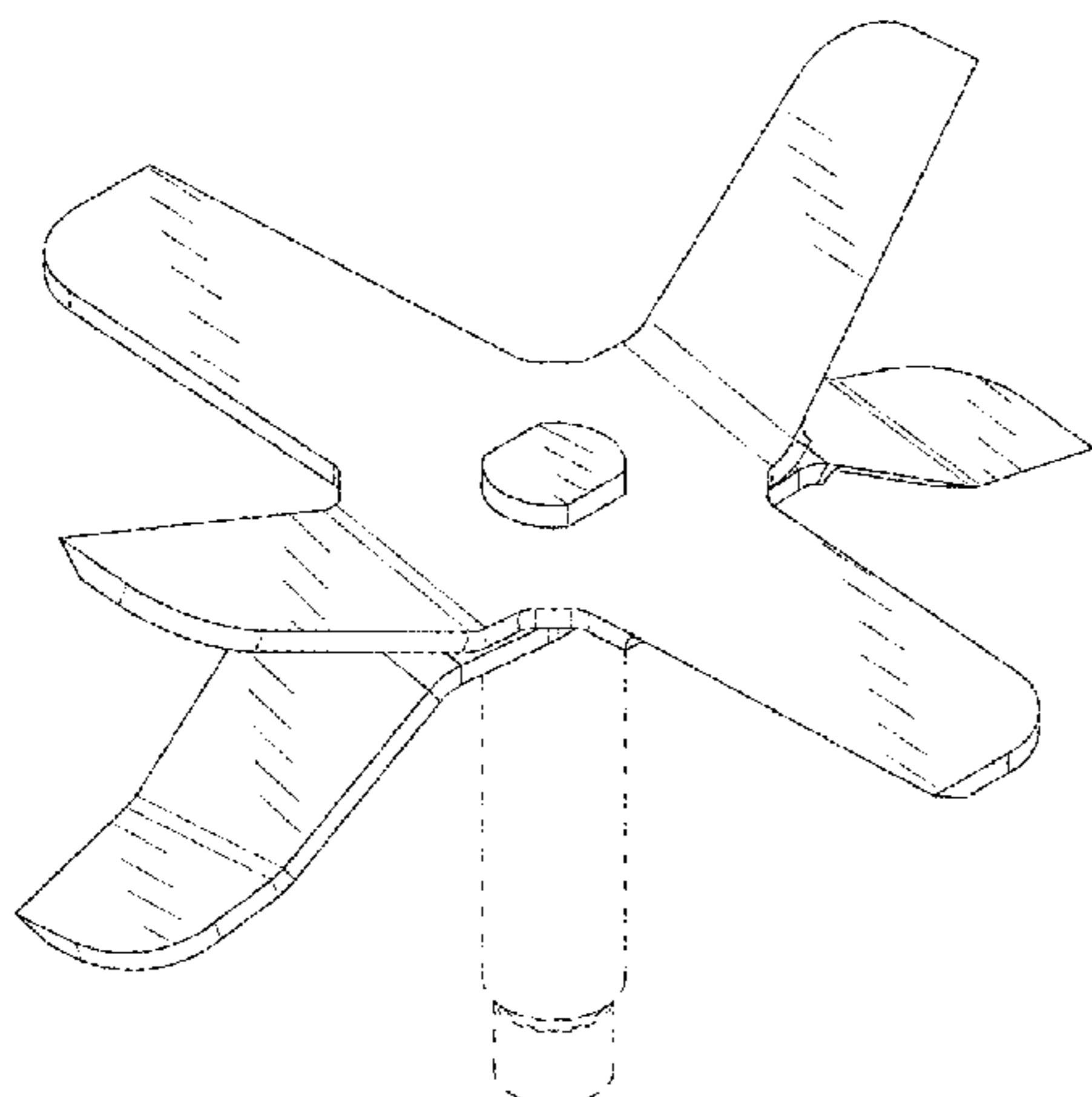
FIG. 12 is a right side view thereof.

FIG. 13 is a top view thereof.

FIG. 14 is a right side view thereof showing the personal blade device for blending and grinding being rotated by 90 degree with respect to the blender connector; and,

FIG. 15 is a rear view of a personal blade device for blending and grinding which is reduced by 50% in scale showing the blender blade device being connected to a blender cup through a blender connector. The broken lines are included to show unclaimed subject matters only and form no part of the claimed design.

**1 Claim, 15 Drawing Sheets**



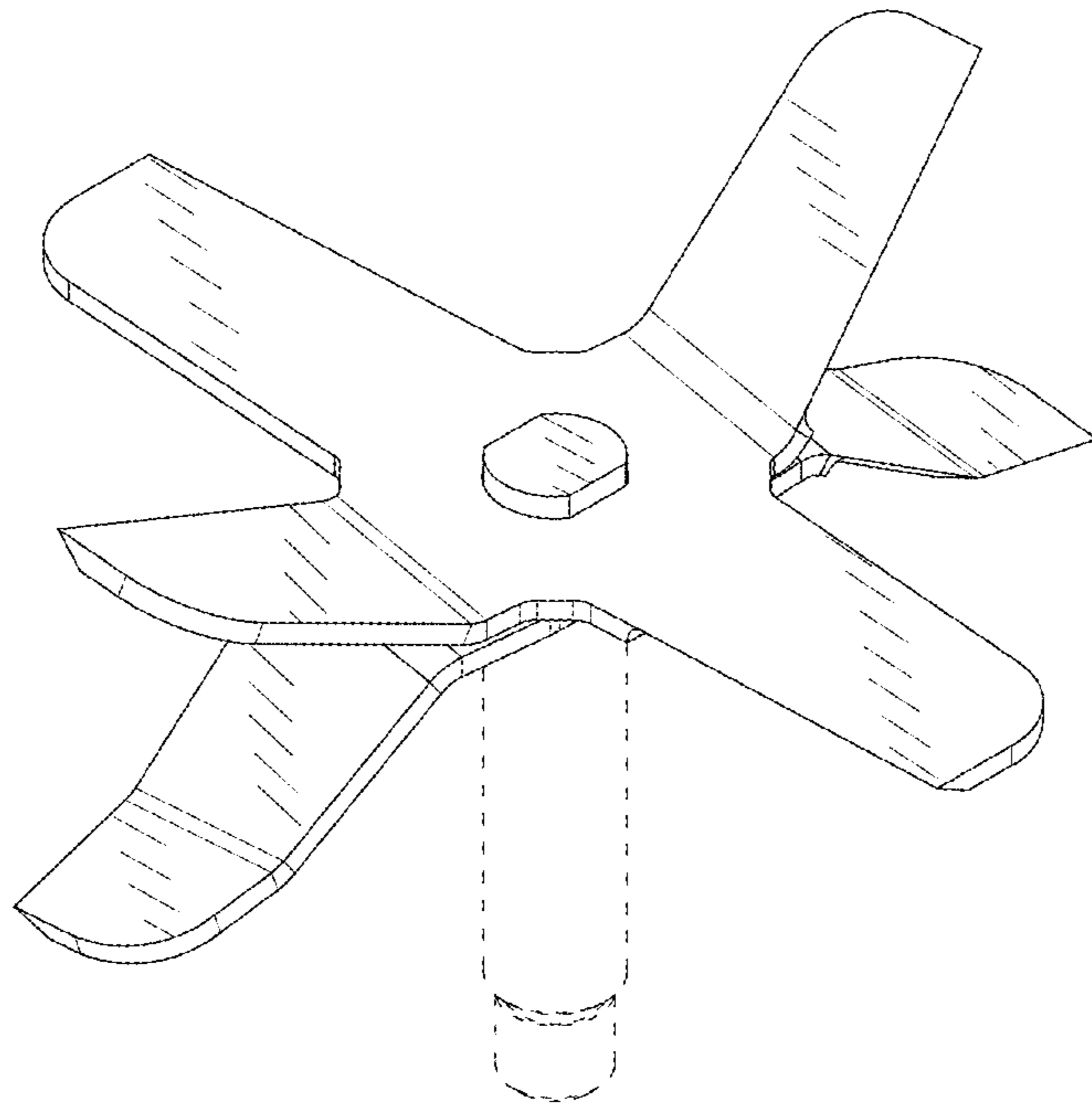


FIG.1

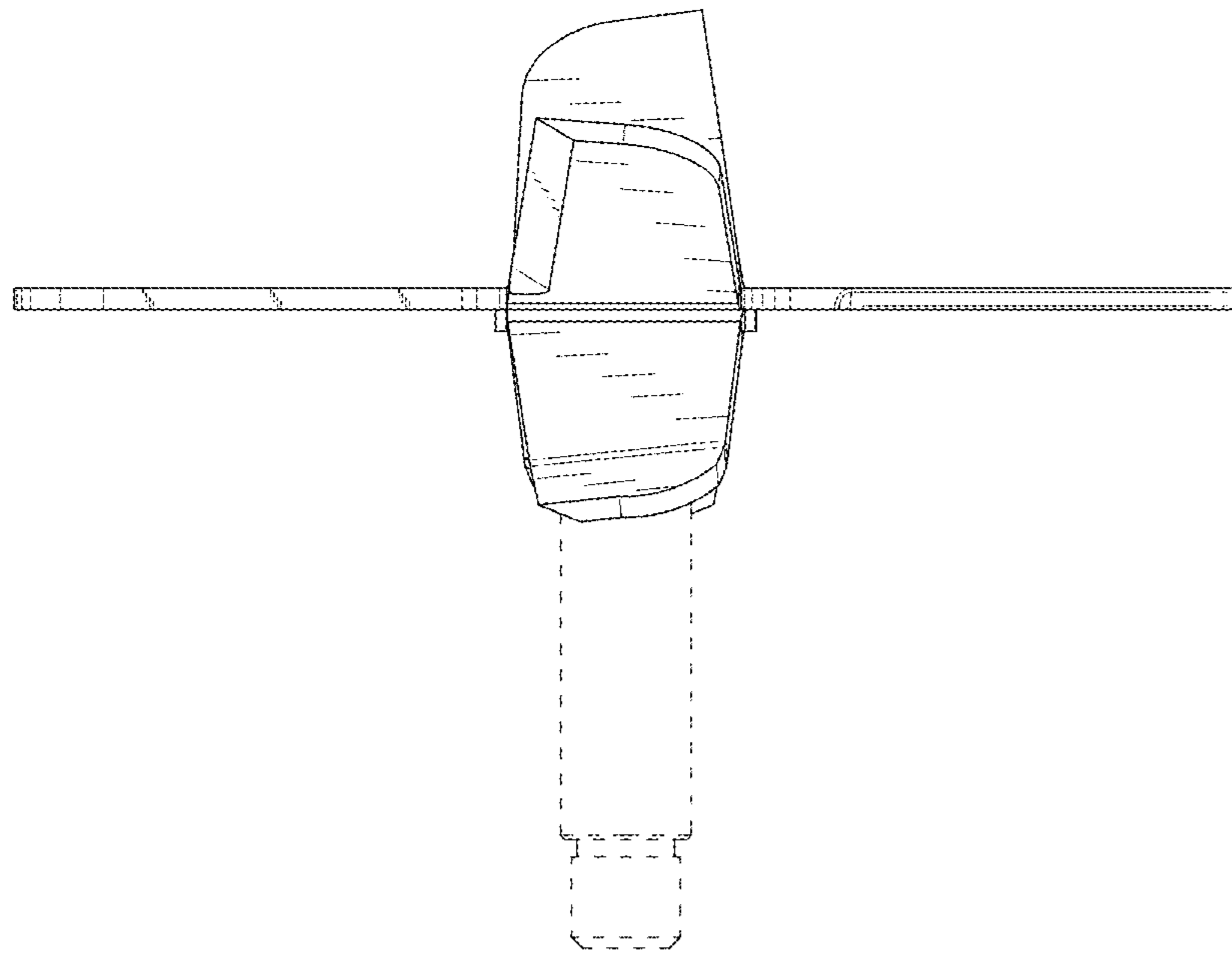


FIG.2

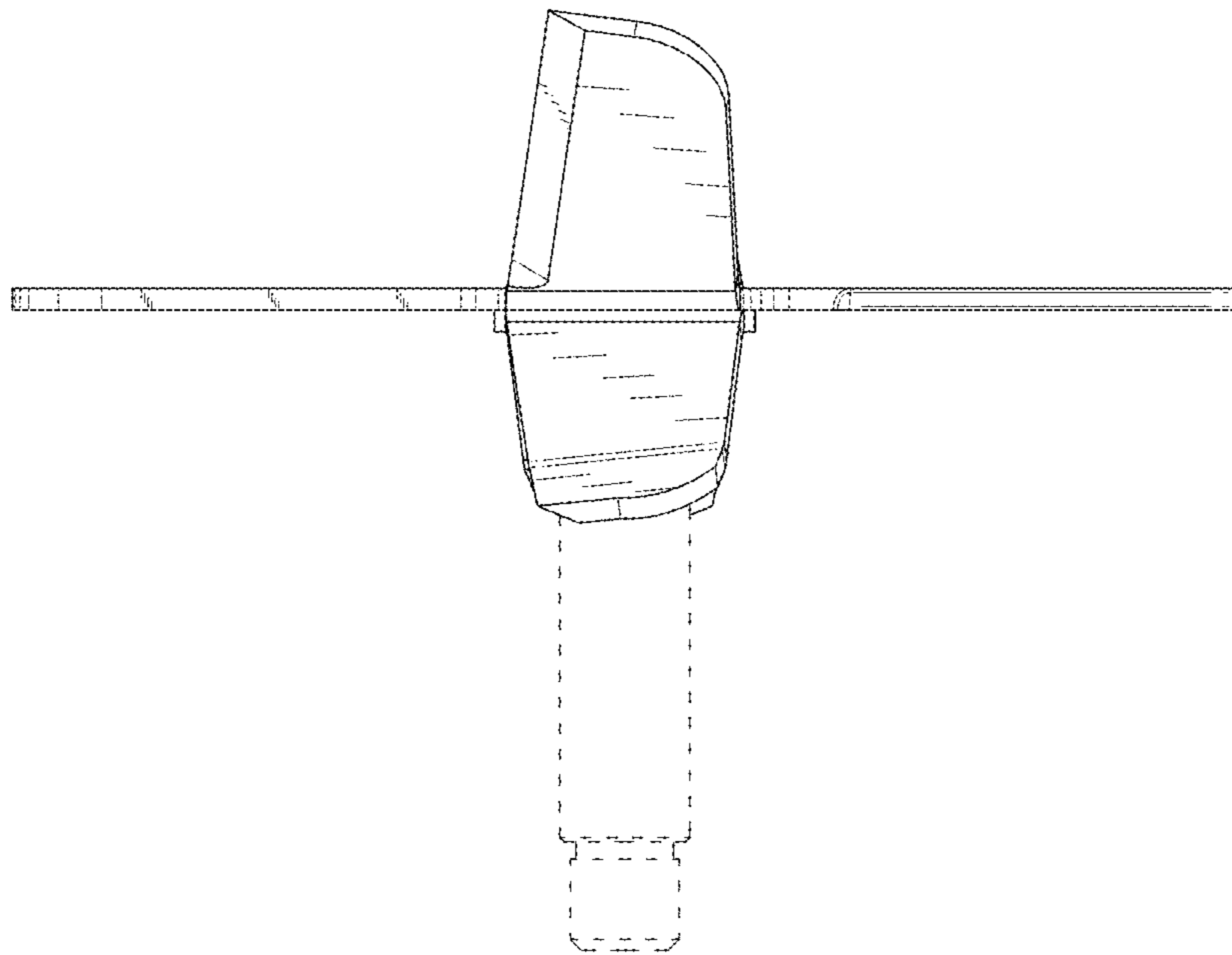


FIG.3

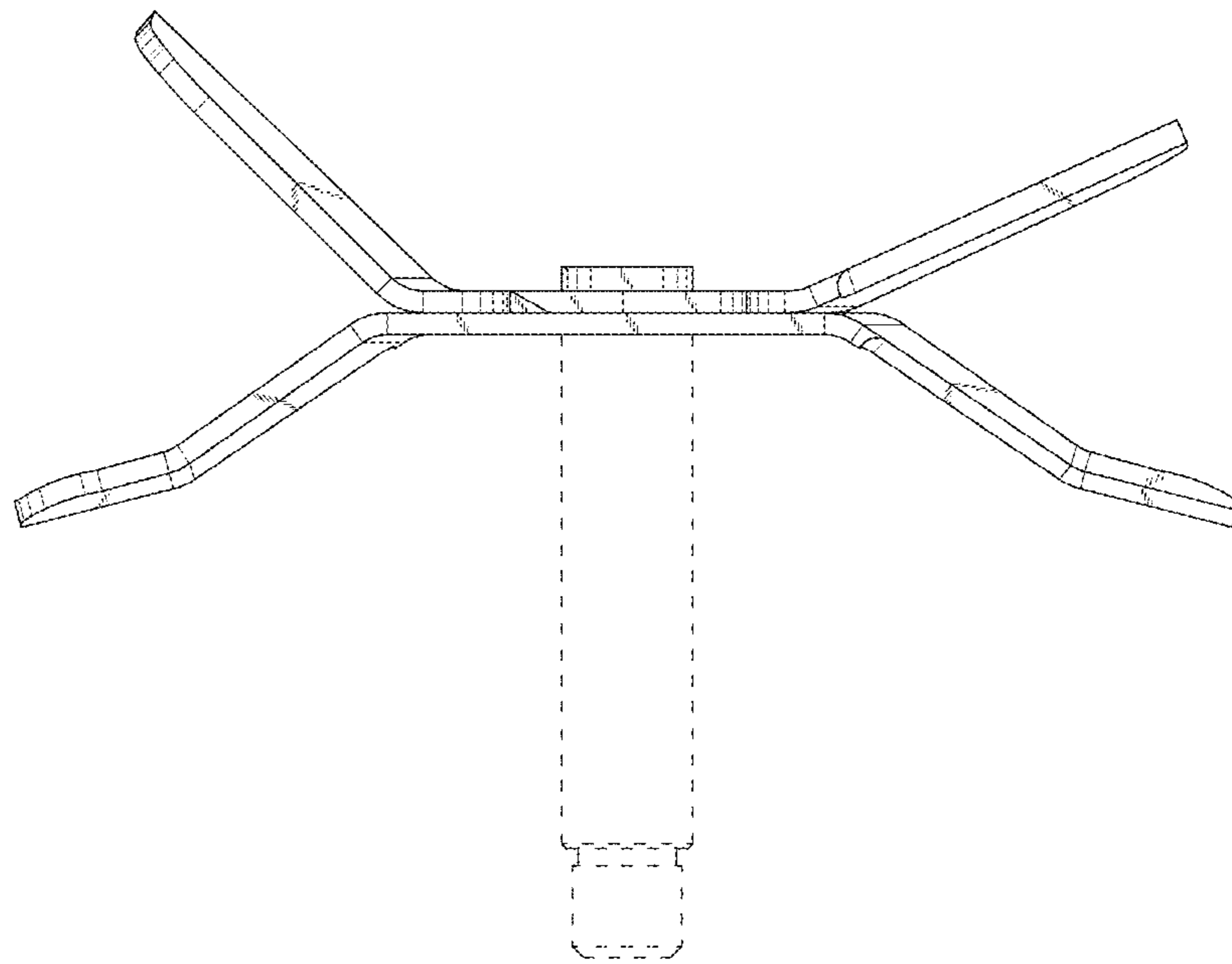


FIG.4

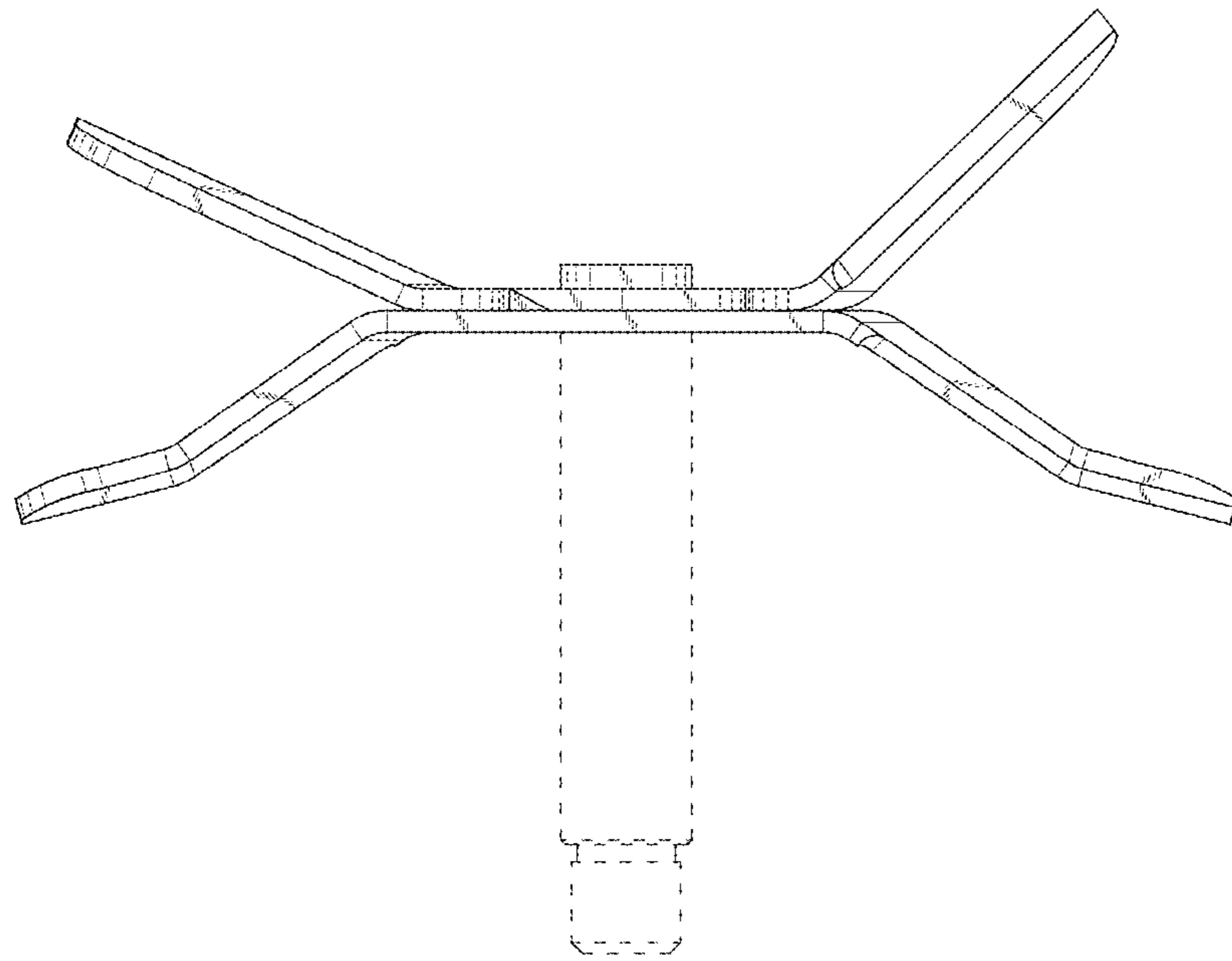


FIG.5

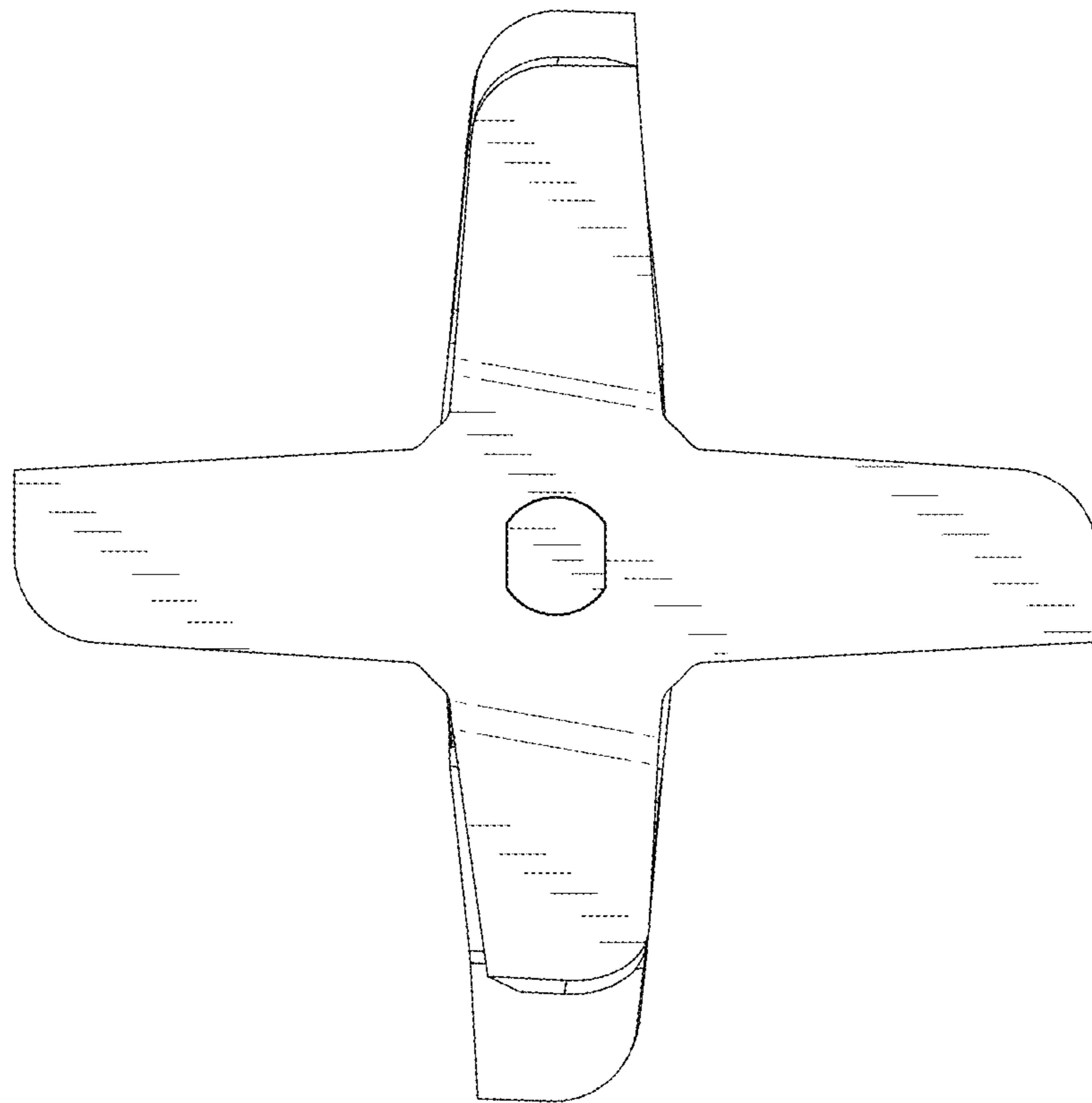


FIG.6

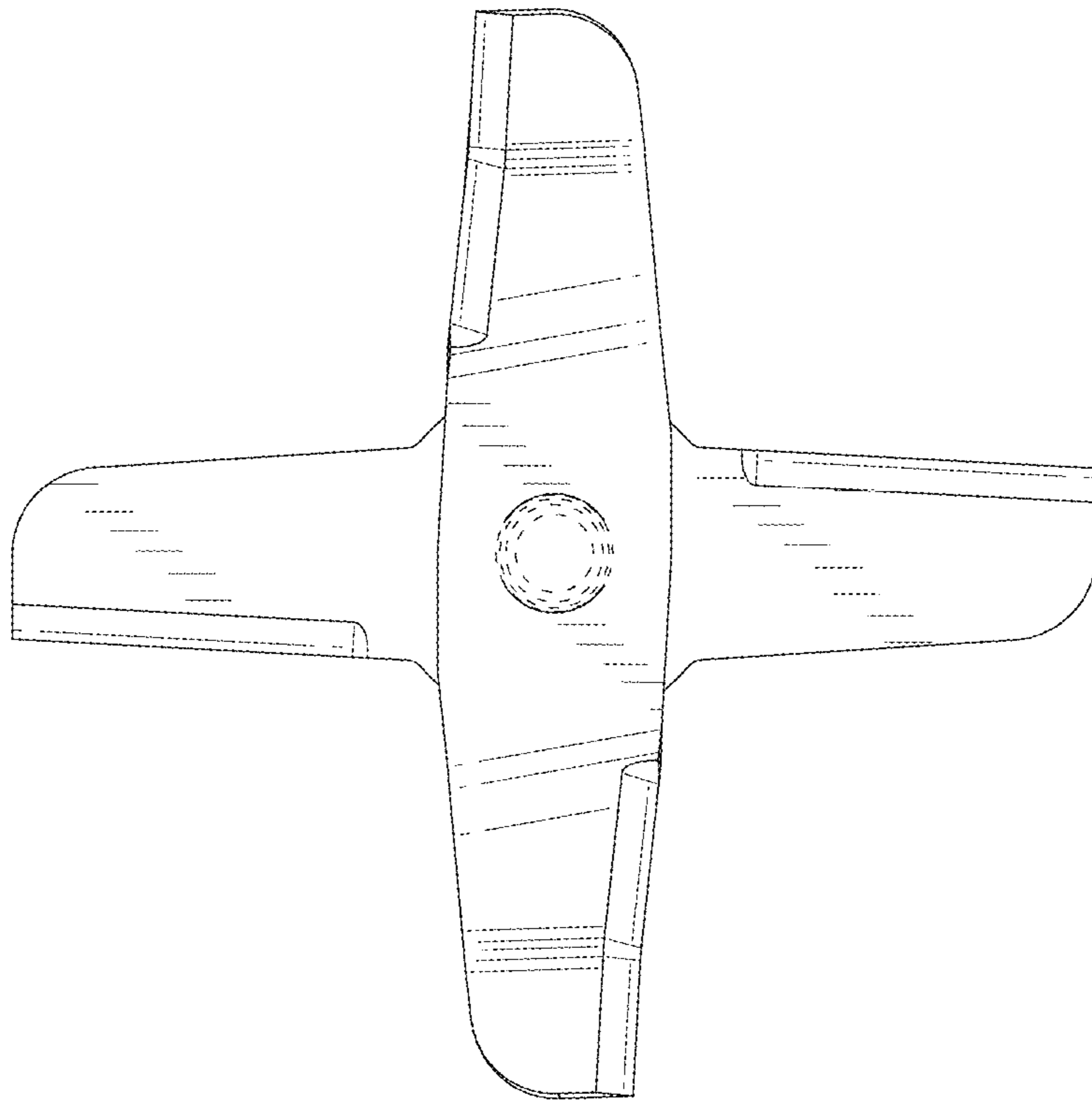


FIG.7



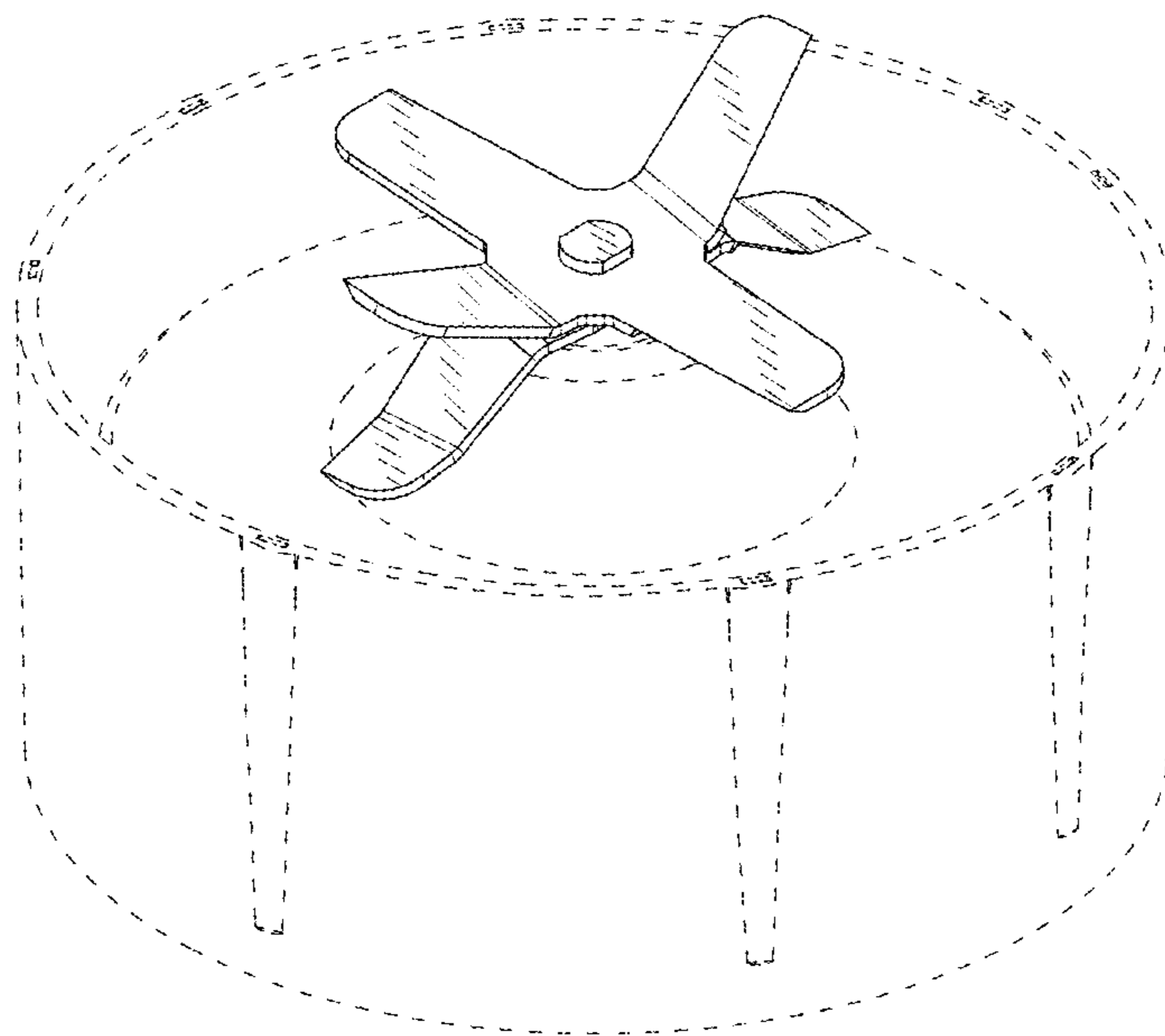


FIG.8

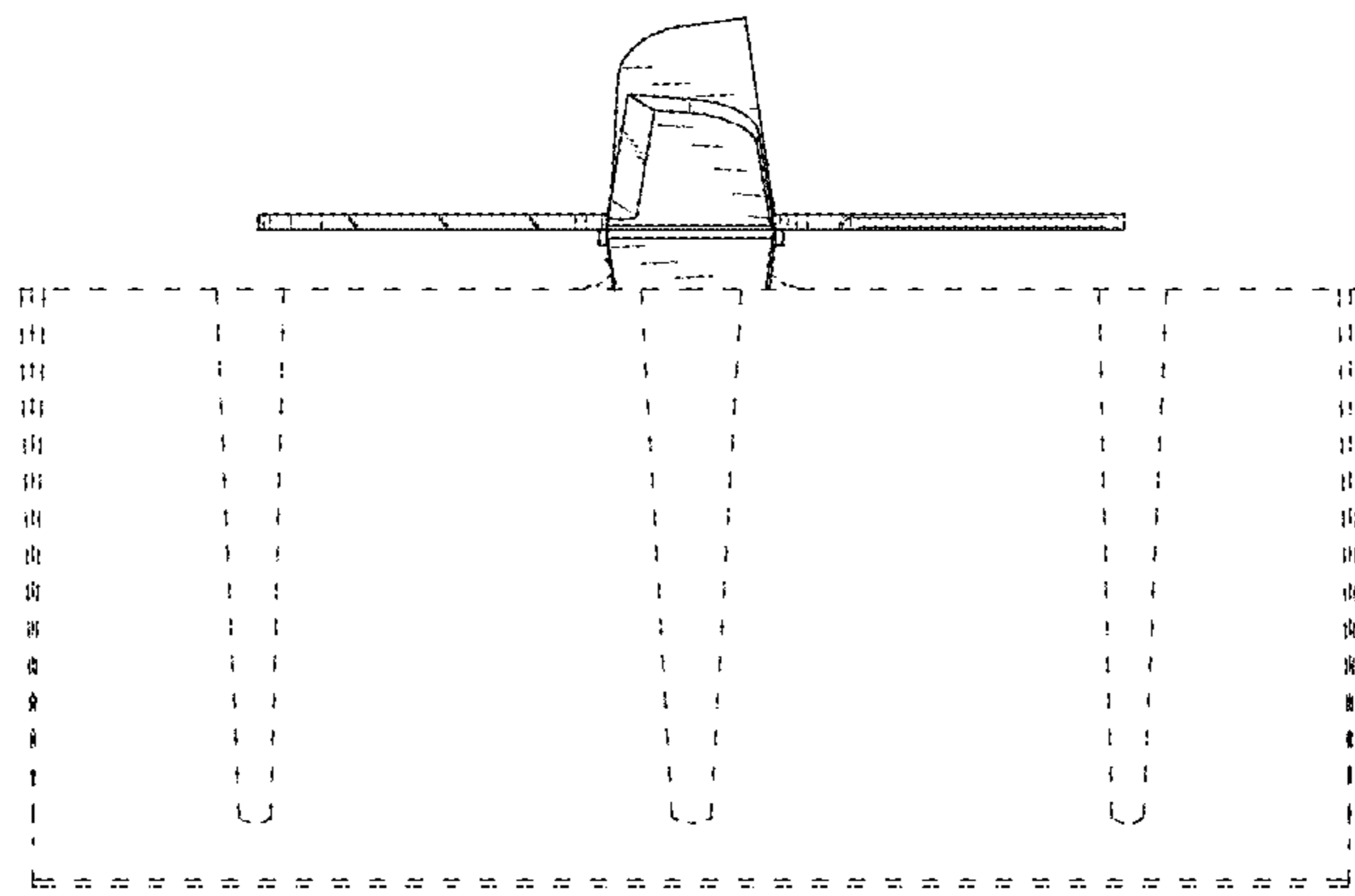


FIG. 9

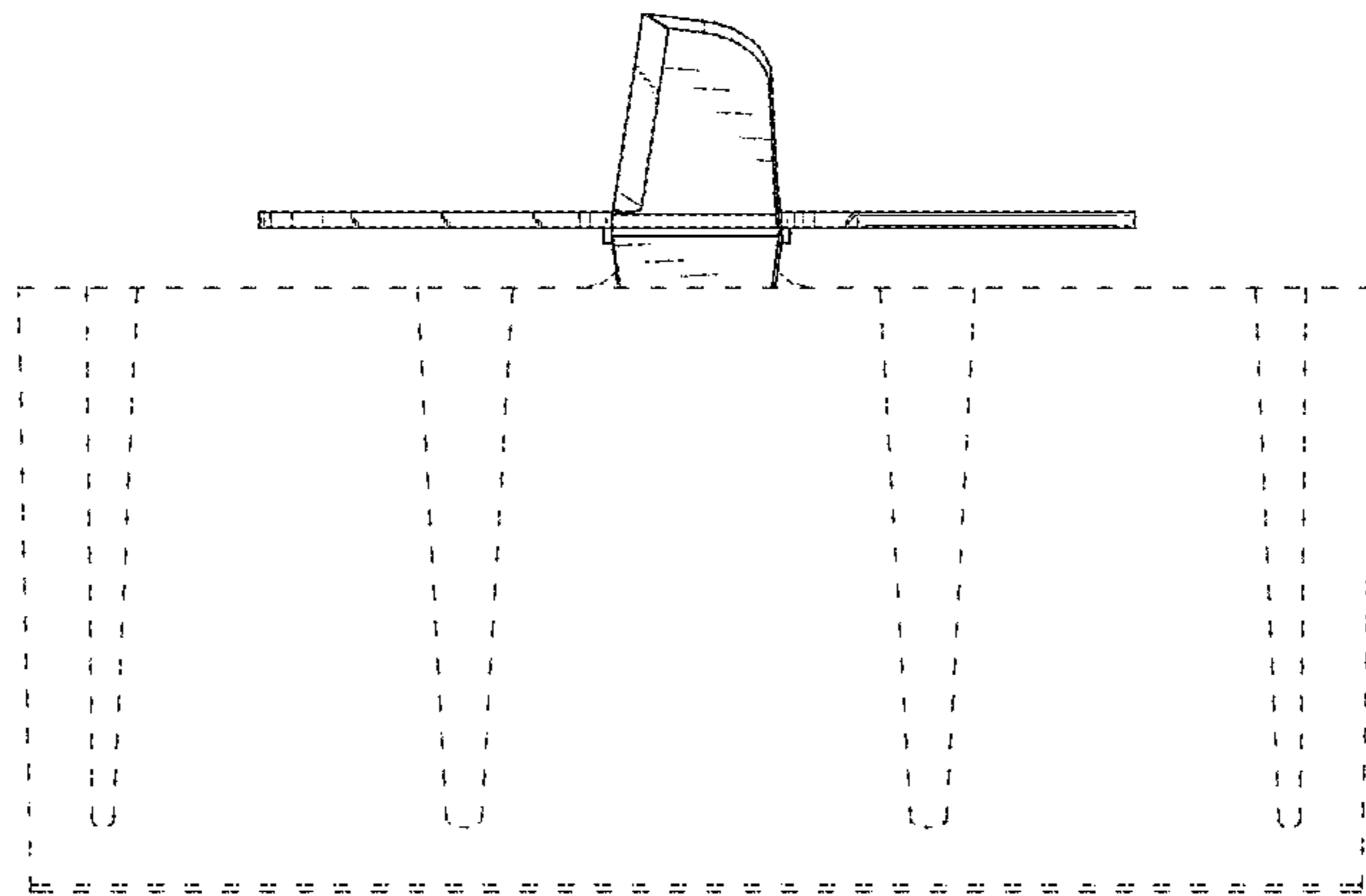


FIG. 10

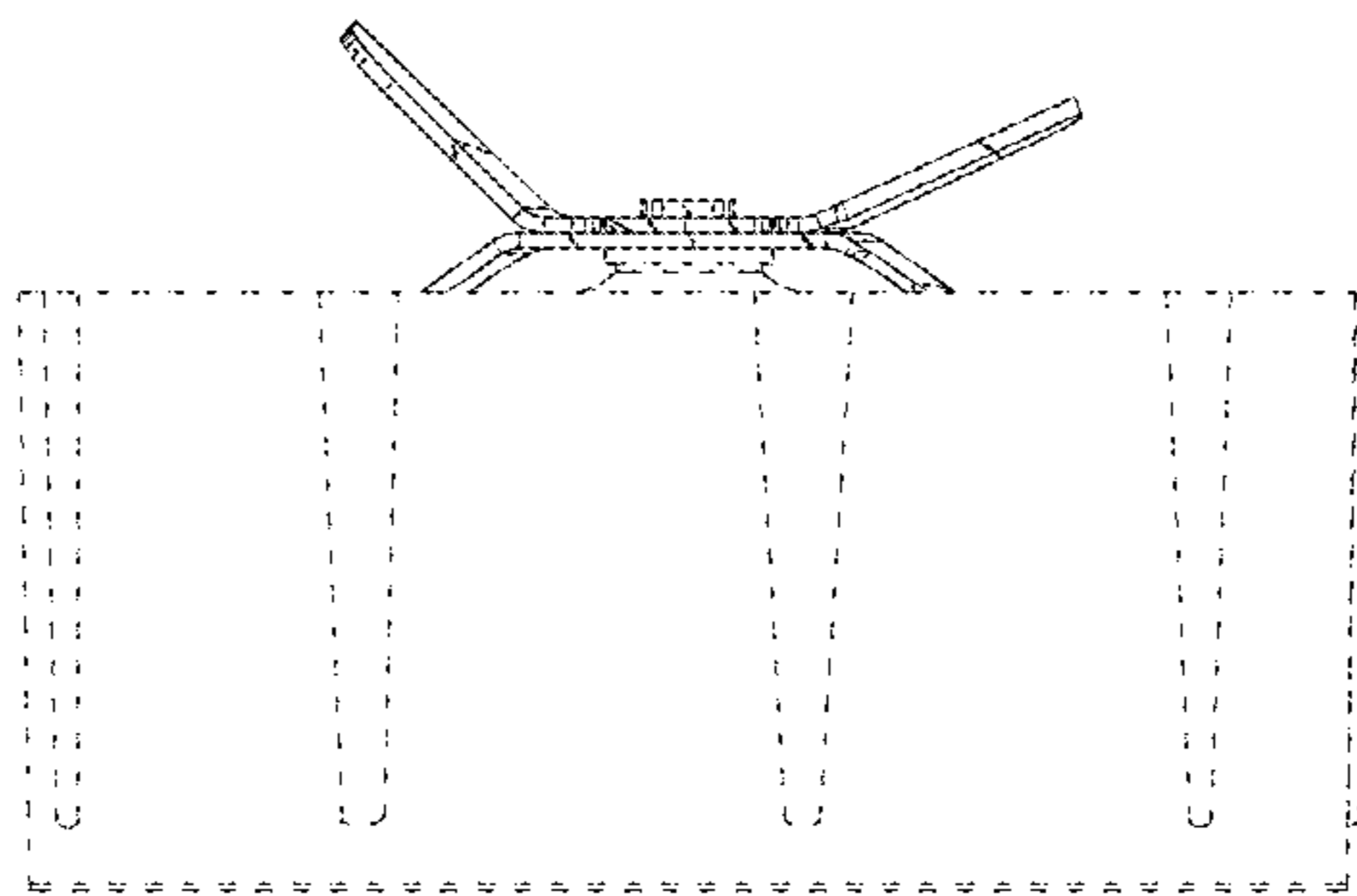


FIG. 11

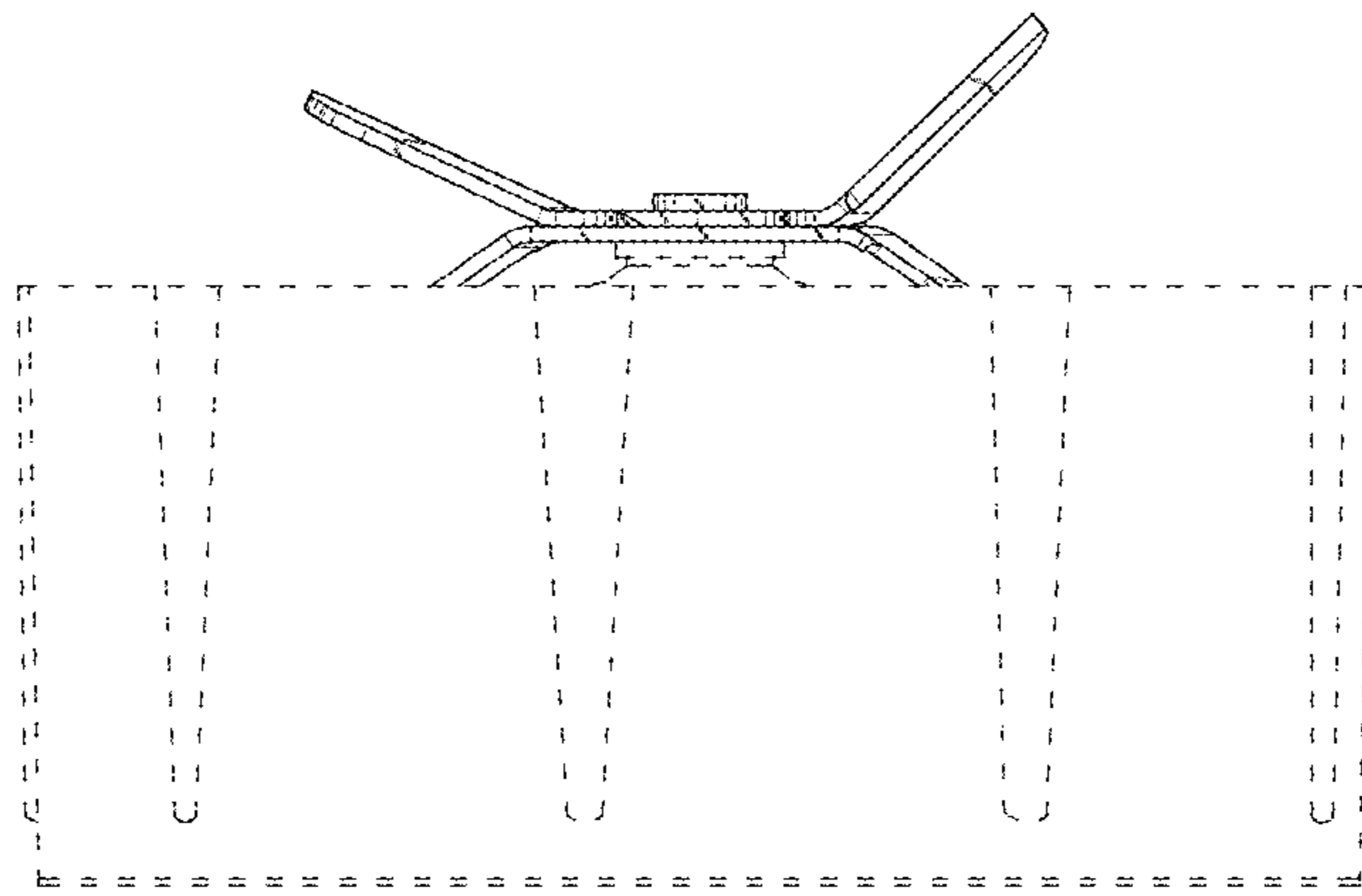


FIG. 12

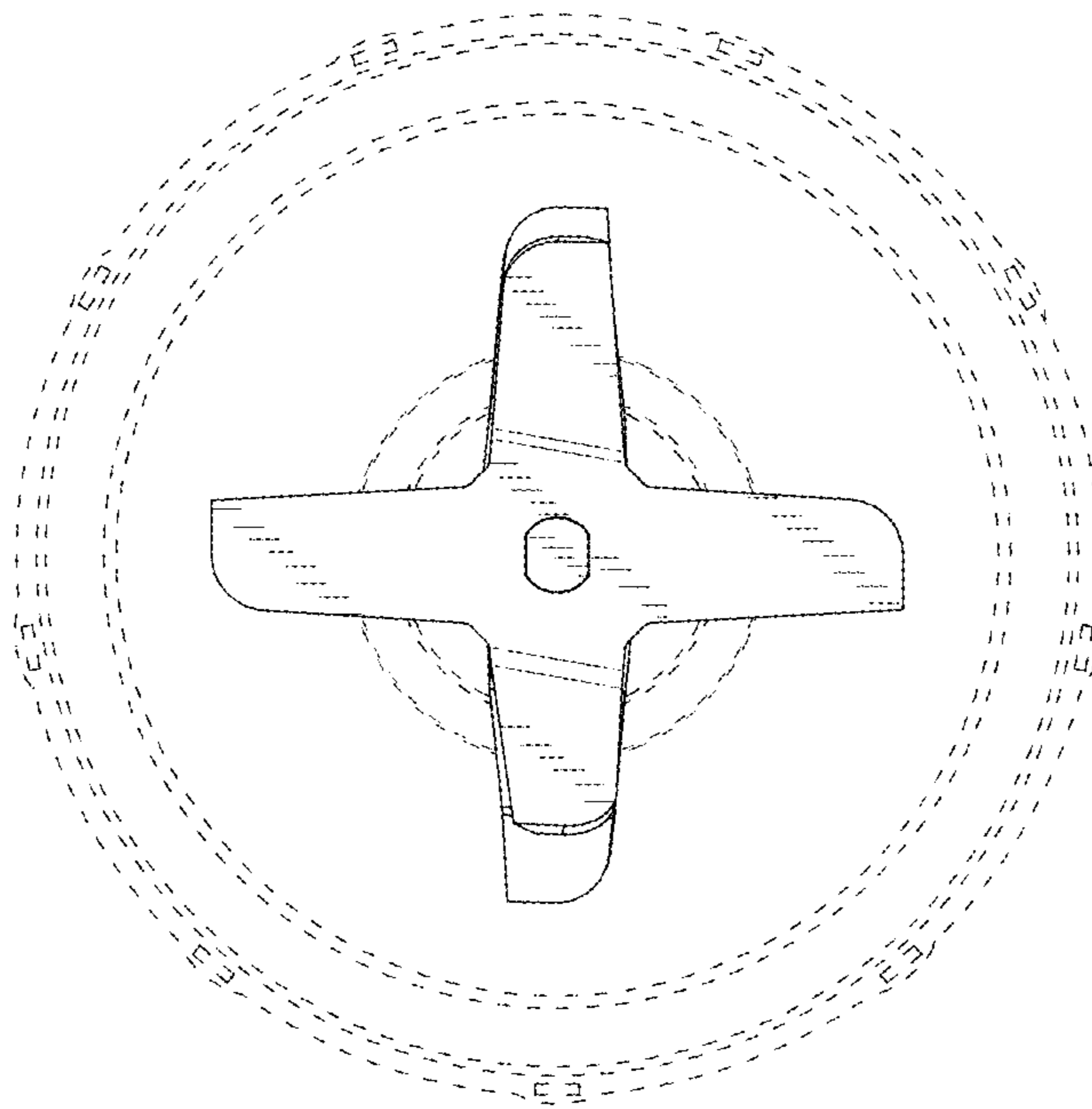


FIG. 13

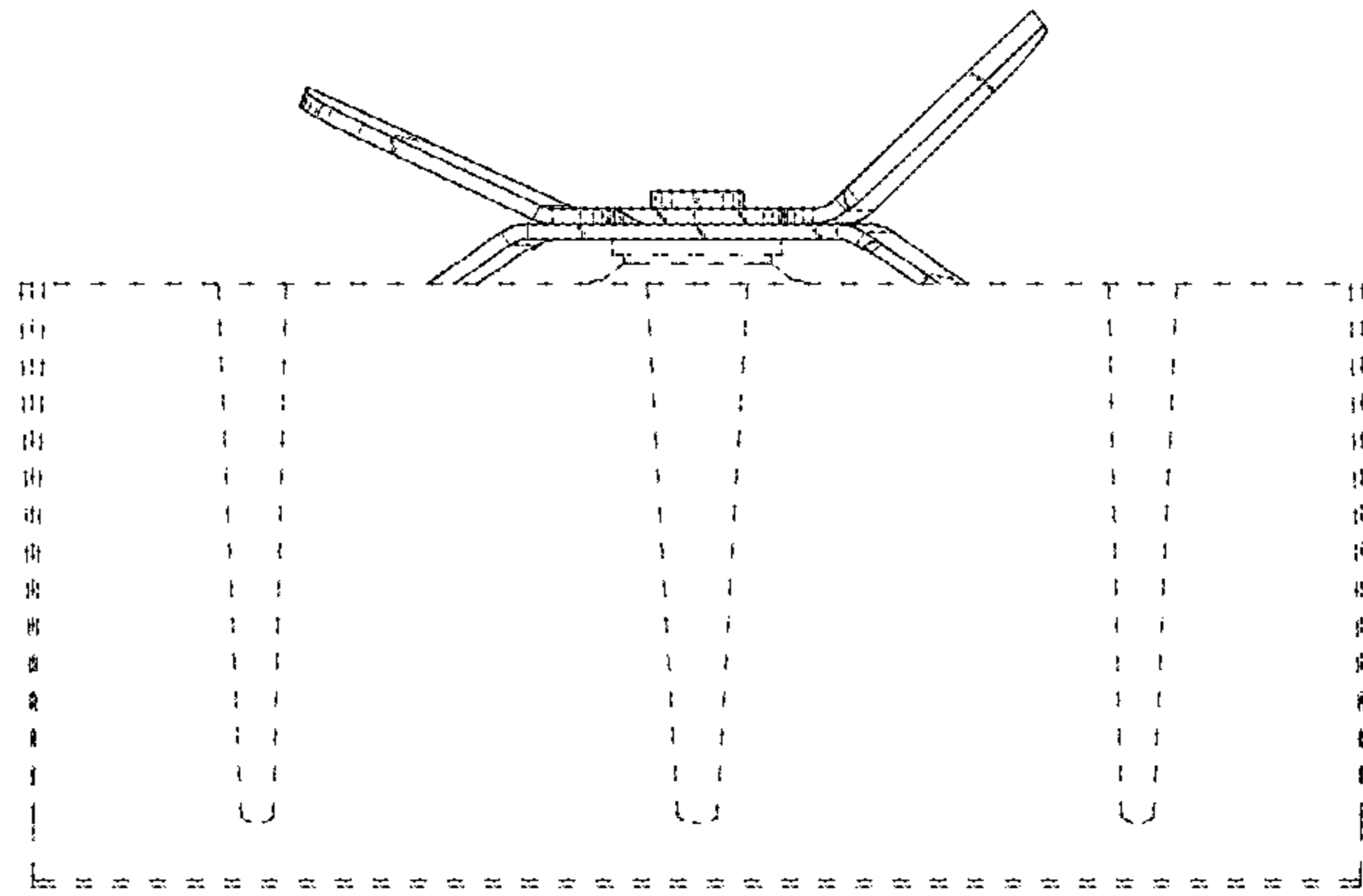


FIG. 14

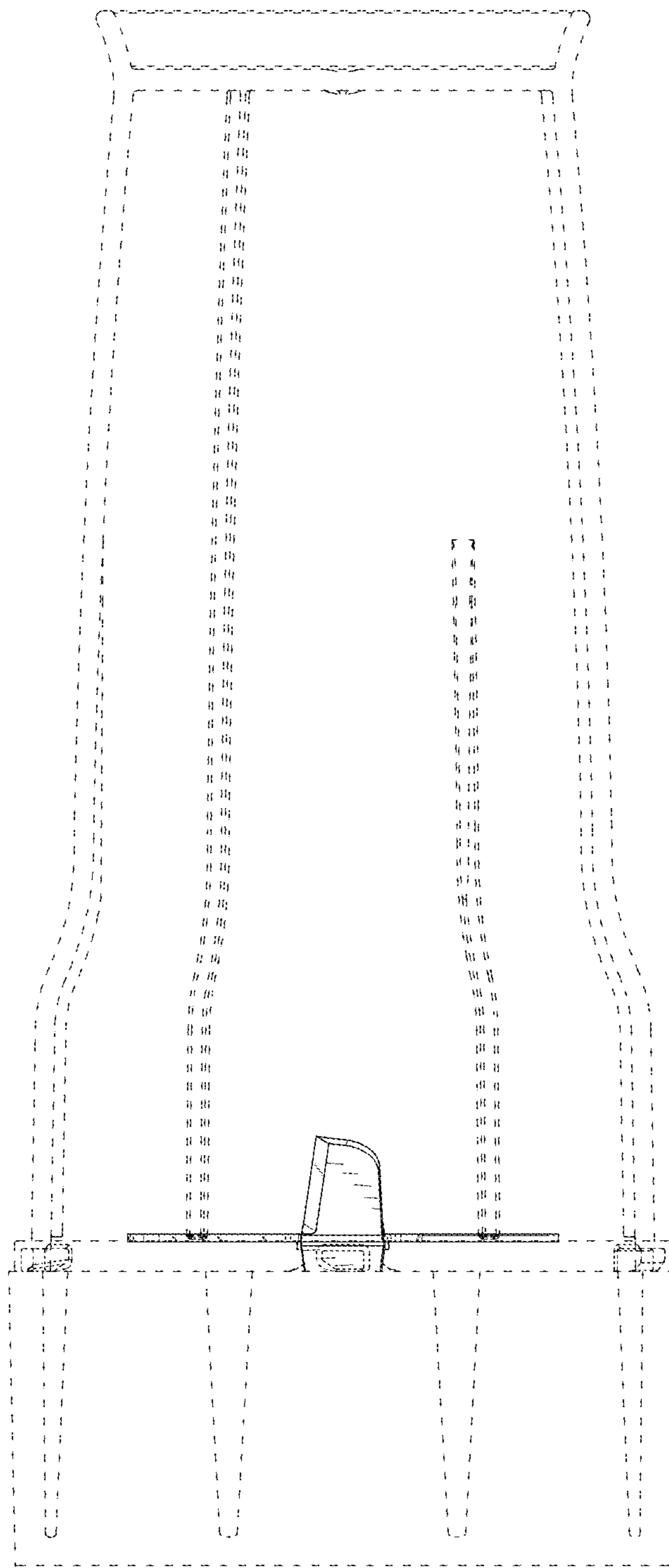


FIG. 15