



US00D770227S

(12) **United States Design Patent**  
**Crawford**

(10) **Patent No.:** **US D770,227 S**

(45) **Date of Patent:** **\*\* Nov. 1, 2016**

(54) **BLENDER COUPLER FOR CANNING JAR**

(71) Applicant: **Linda Crawford**, Bogata, TX (US)

(72) Inventor: **Linda Crawford**, Bogata, TX (US)

(\*\*) Term: **14 Years**

(21) Appl. No.: **29/519,562**

(22) Filed: **Mar. 5, 2015**

(51) **LOC (10) Cl.** ..... **31-00**

(52) **U.S. Cl.**  
USPC ..... **D7/412**

(58) **Field of Classification Search**

USPC ..... D7/372, 376–386, 412–413, 602, 629,  
D7/665–666, 669, 679, 693–694  
CPC ..... A21C 1/02; A21C 1/04; A23N 1/00;  
A23N 1/02; A23P 30/20; A47J 42/04;  
A47J 43/04; A47J 43/25; A47J 43/27;  
A47J 43/255; A47J 43/042; A47J 43/044;  
A47J 43/046; A47J 43/075; A47J 43/0711;  
A47J 43/0722; A47J 43/0727; A47J 43/0705;  
A47J 43/1025; A47J 43/1068; B01F 3/00;  
B01F 3/0807; B01F 3/0853; B01F 13/0059;  
B01F 13/0064; B02C 1/08; B02C 2/04;  
B02C 4/42; B02C 4/142; B02C 4/143;  
B02C 4/423; B02C 13/1835; B26D 1/0006;  
B26D 3/225; B28C 5/10; B28C 5/12;  
B28C 5/14; B28C 5/16

See application file for complete search history.

(56) **References Cited**

**U.S. PATENT DOCUMENTS**

4,283,979 A \* 8/1981 Rakocy ..... B26D 3/225  
241/92  
4,364,525 A \* 12/1982 McClean ..... B26D 3/225  
241/239  
5,435,237 A \* 7/1995 Huang ..... A47J 43/255  
241/273.3  
5,960,709 A \* 10/1999 Yip ..... A47J 43/0705  
241/199.12  
6,113,016 A \* 9/2000 Vedefors ..... B26D 1/0006  
241/169.1

6,532,863 B1 \* 3/2003 Lee ..... A47J 43/0722  
241/282.1  
7,059,553 B2 \* 6/2006 Mueller ..... A47J 43/1068  
241/168  
7,762,487 B2 \* 7/2010 Cheung ..... A47J 43/1025  
241/169.1

(Continued)

*Primary Examiner* — Ricky Pham

(74) *Attorney, Agent, or Firm* — Jeffrey Roddy

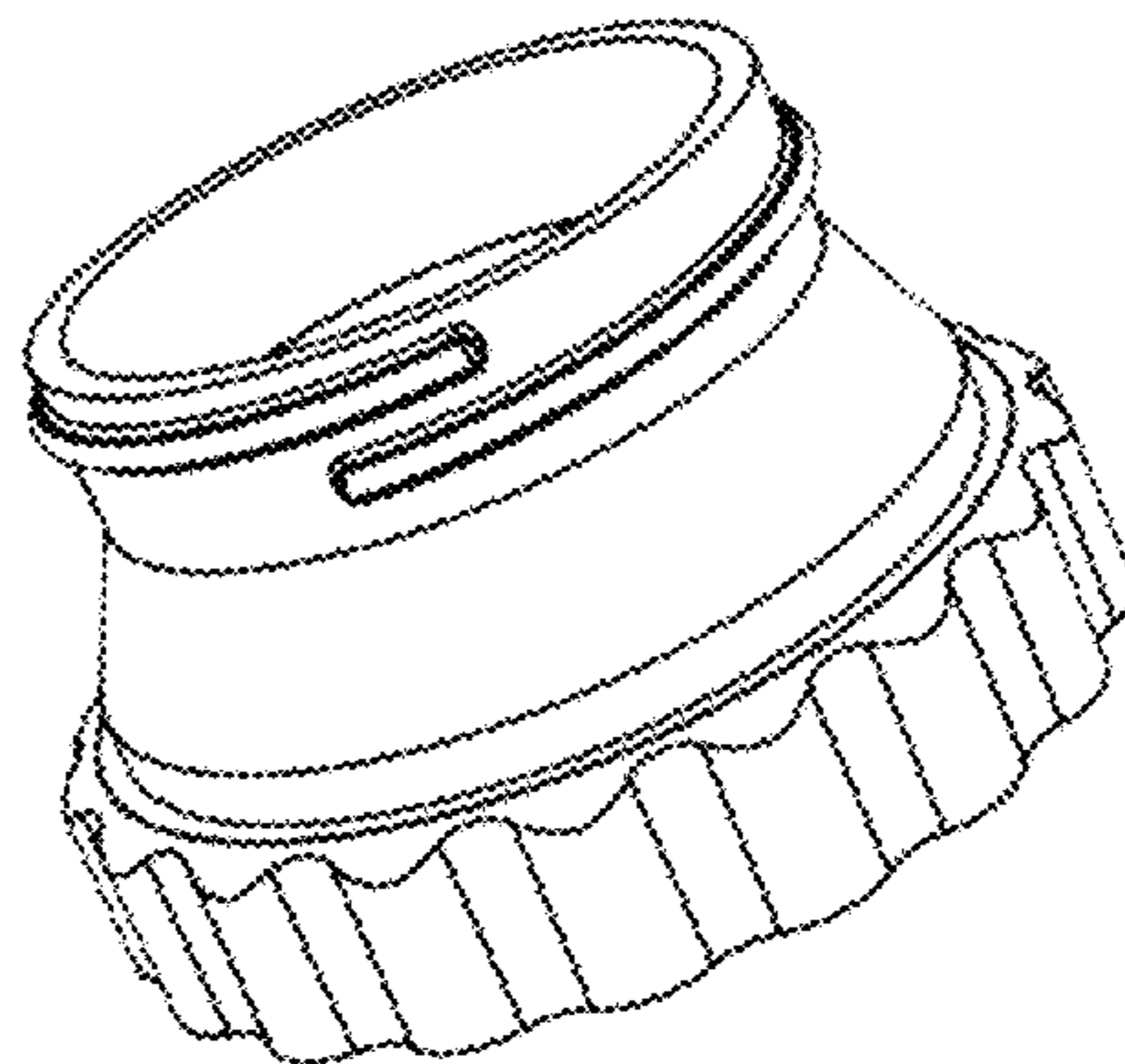
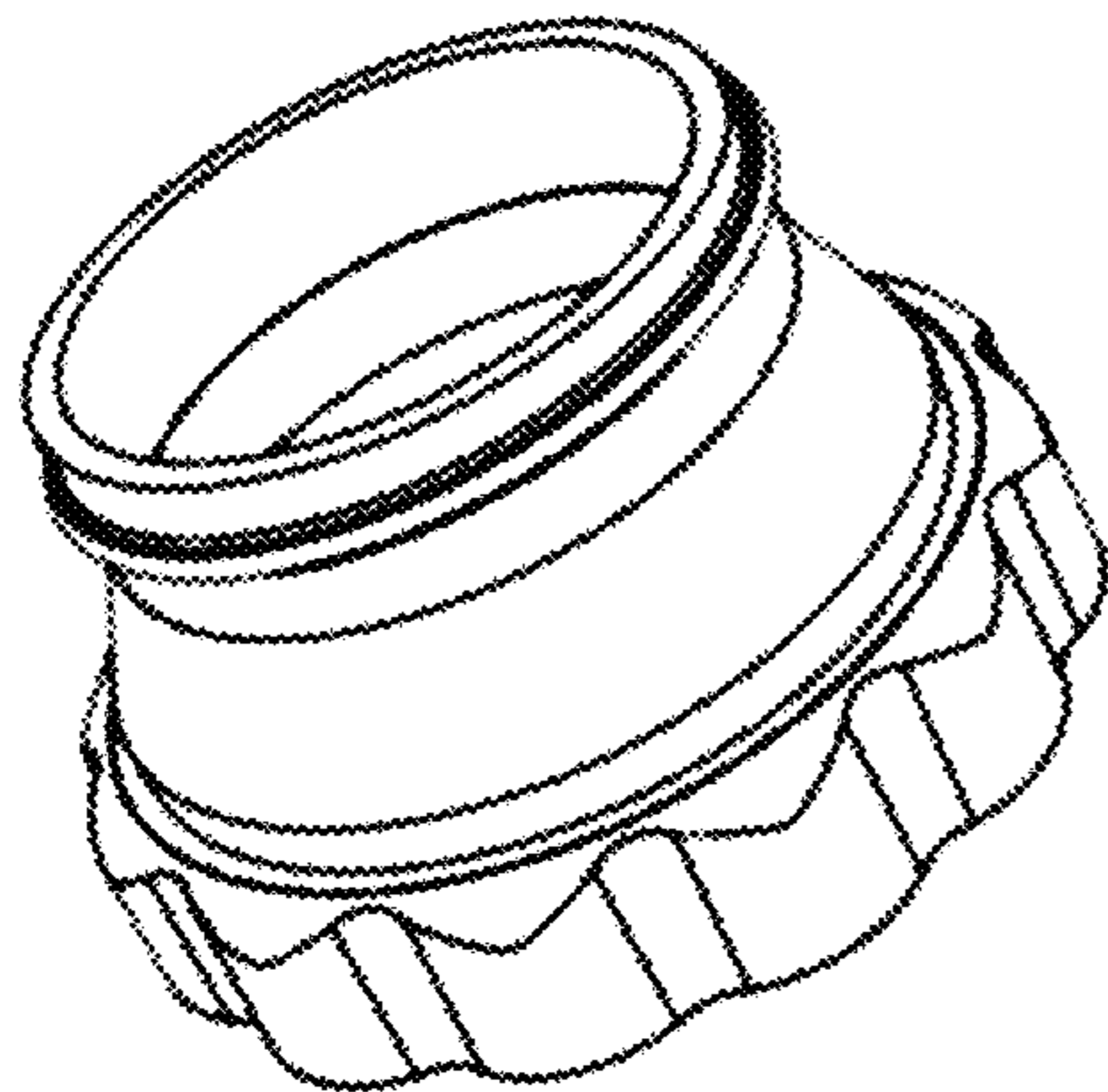
(57) **CLAIM**

I claim the ornamental design for the blender coupler for a canning jar, as shown and described.

**DESCRIPTION**

FIG. 1 is a top perspective view of a first embodiment of a blender coupler for a canning jar showing my new design; FIG. 2 is a bottom perspective view thereof; FIG. 3 is a side elevation thereof; FIG. 4 is a side elevation thereof opposite that shown in (FIG. 3); FIG. 5 is an end view thereof; FIG. 6 is an end view thereof opposite that shown in (FIG. 5); FIG. 7 is a top perspective view of a second embodiment thereof; FIG. 8 is a bottom perspective view thereof; FIG. 9 is a side elevation thereof; FIG. 10 is a side elevation thereof opposite that shown in (FIG. 9); FIG. 11 is an end view thereof; FIG. 12 is an end view thereof opposite that shown in (FIG. 11); FIG. 13 is a top perspective view of a third embodiment thereof; FIG. 14 is a bottom perspective view thereof; FIG. 15 is a side elevation thereof; FIG. 16 is a side elevation thereof opposite that shown in (FIG. 15); FIG. 17 is an end view thereof; and, FIG. 18 is an end view thereof opposite that shown in (FIG. 17).  
Contour lines indicate only shading or reflectivity and do not indicate surface ornamentation.

**1 Claim, 6 Drawing Sheets**



# US D770,227 S

Page 2

---

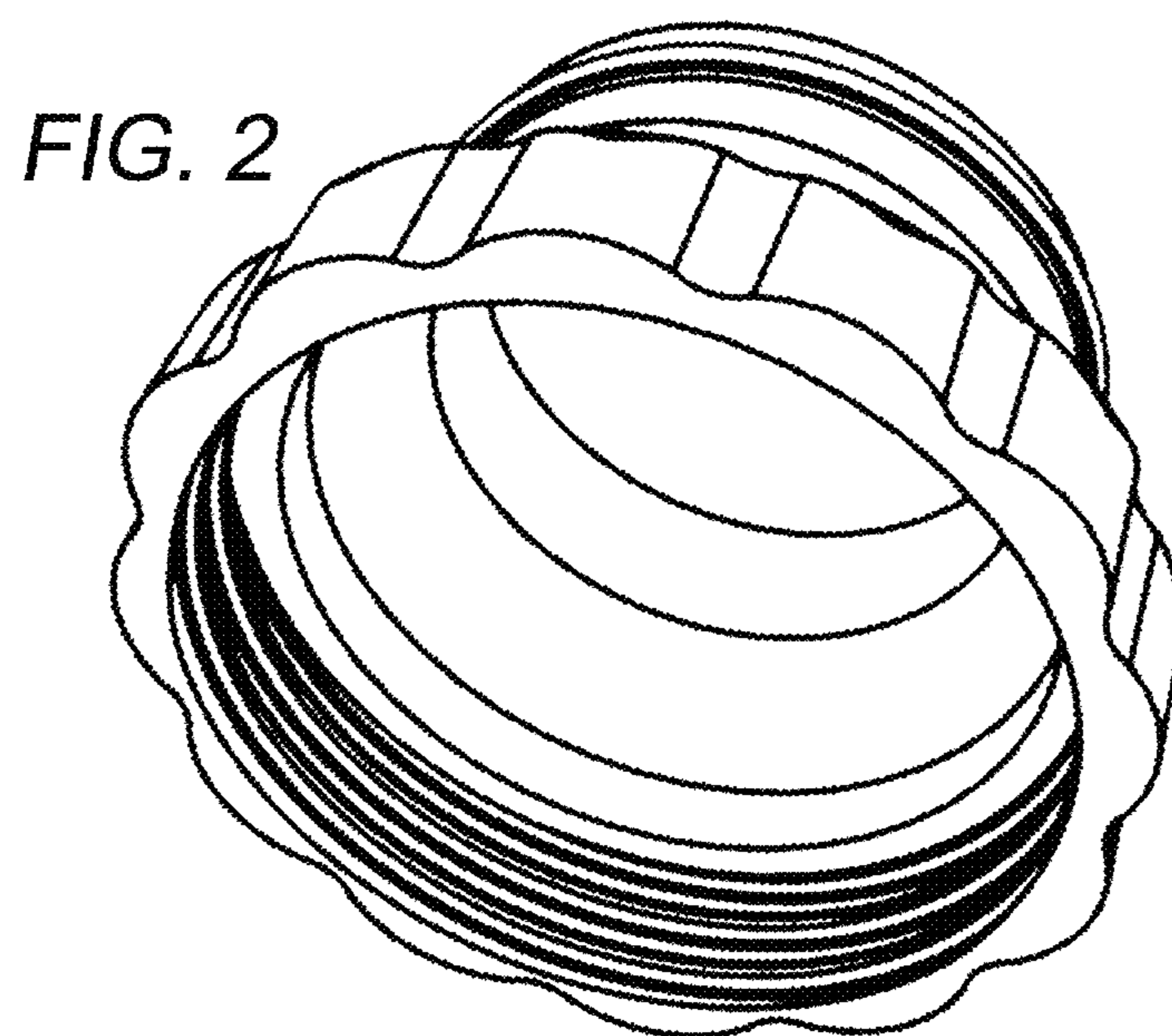
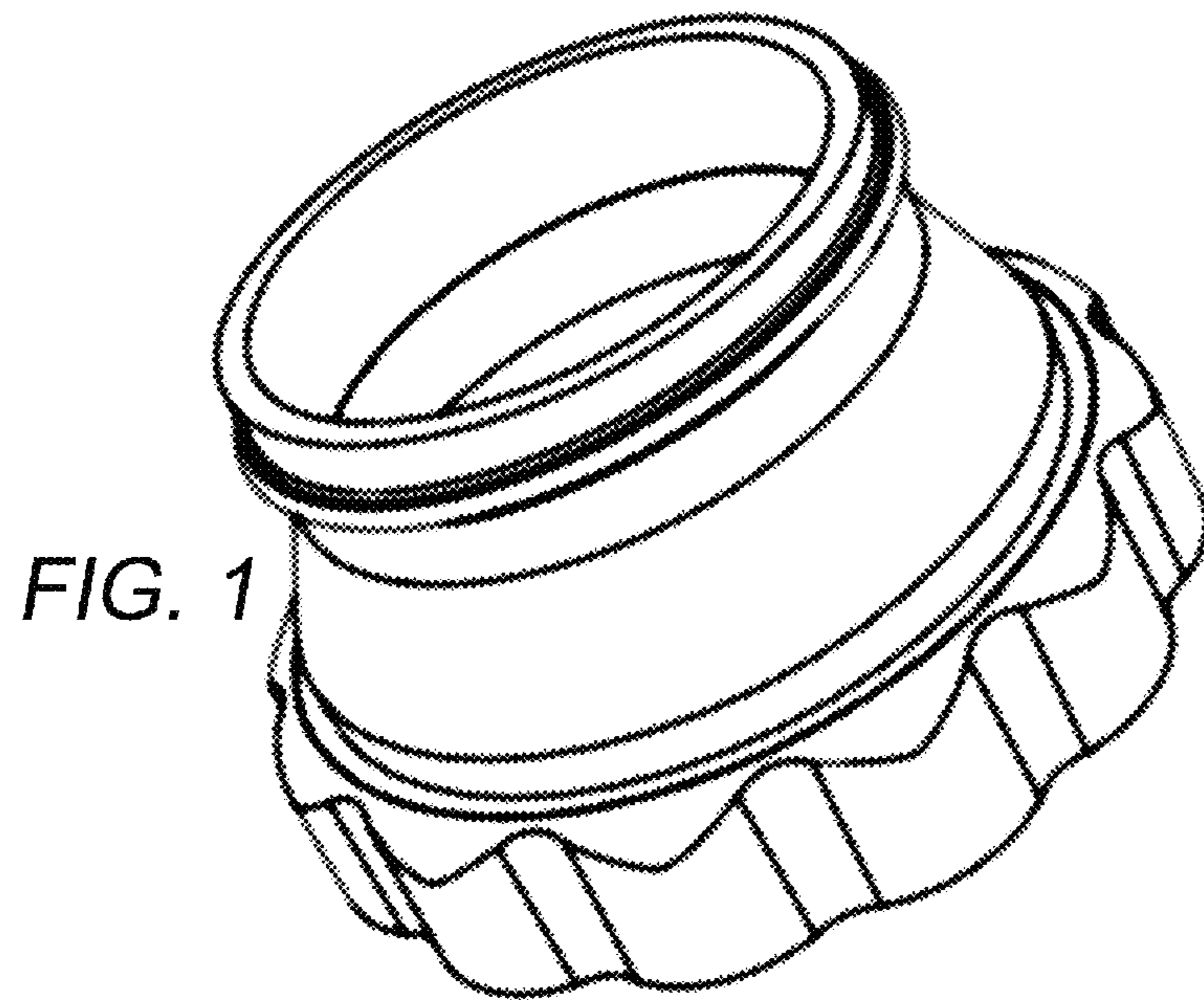
(56)

## References Cited

### U.S. PATENT DOCUMENTS

8,152,506 B1 *	4/2012	Khoshaba .....	A23P 30/20 425/113	8,602,335 B2 *	12/2013	Krasznai .....	A47J 43/0711 241/278.1
8,365,657 B2 *	2/2013	Lee .....	A23N 1/00 241/278.1	9,089,243 B2 *	7/2015	Harris	
				2009/0166455 A1 *	7/2009	Pai .....	A47J 42/04 241/93

\* cited by examiner



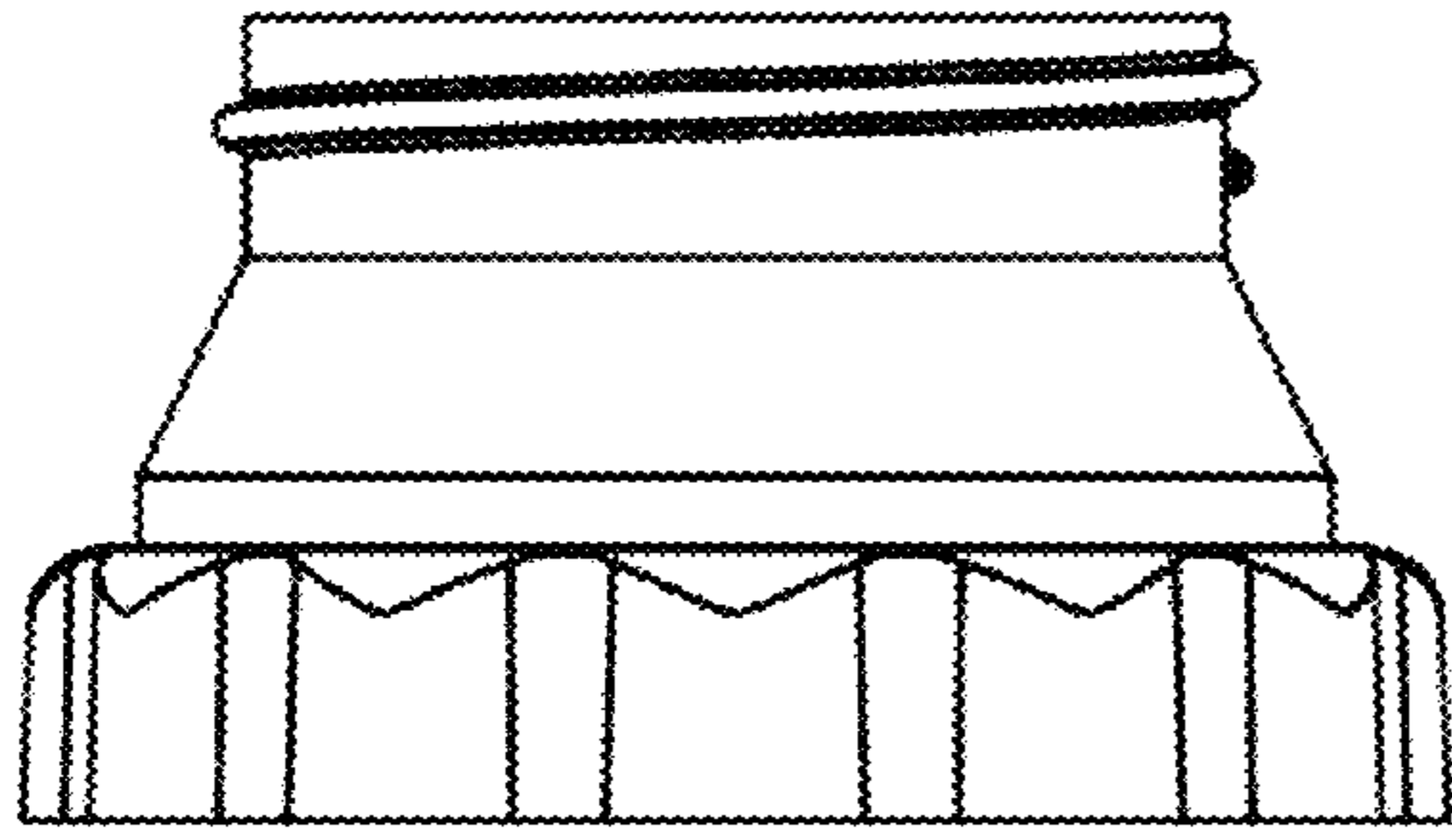


FIG. 3

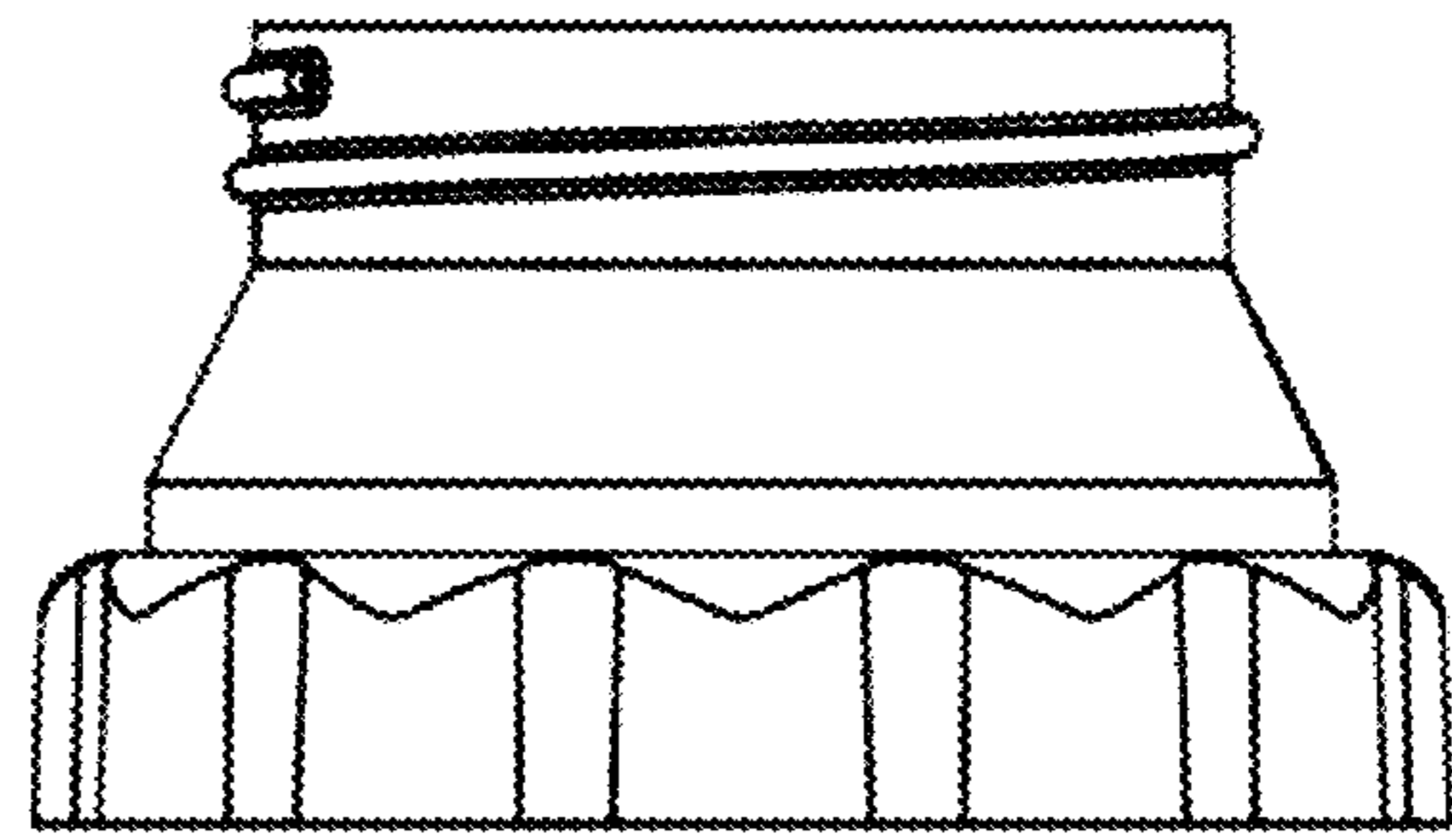


FIG. 4

FIG. 5

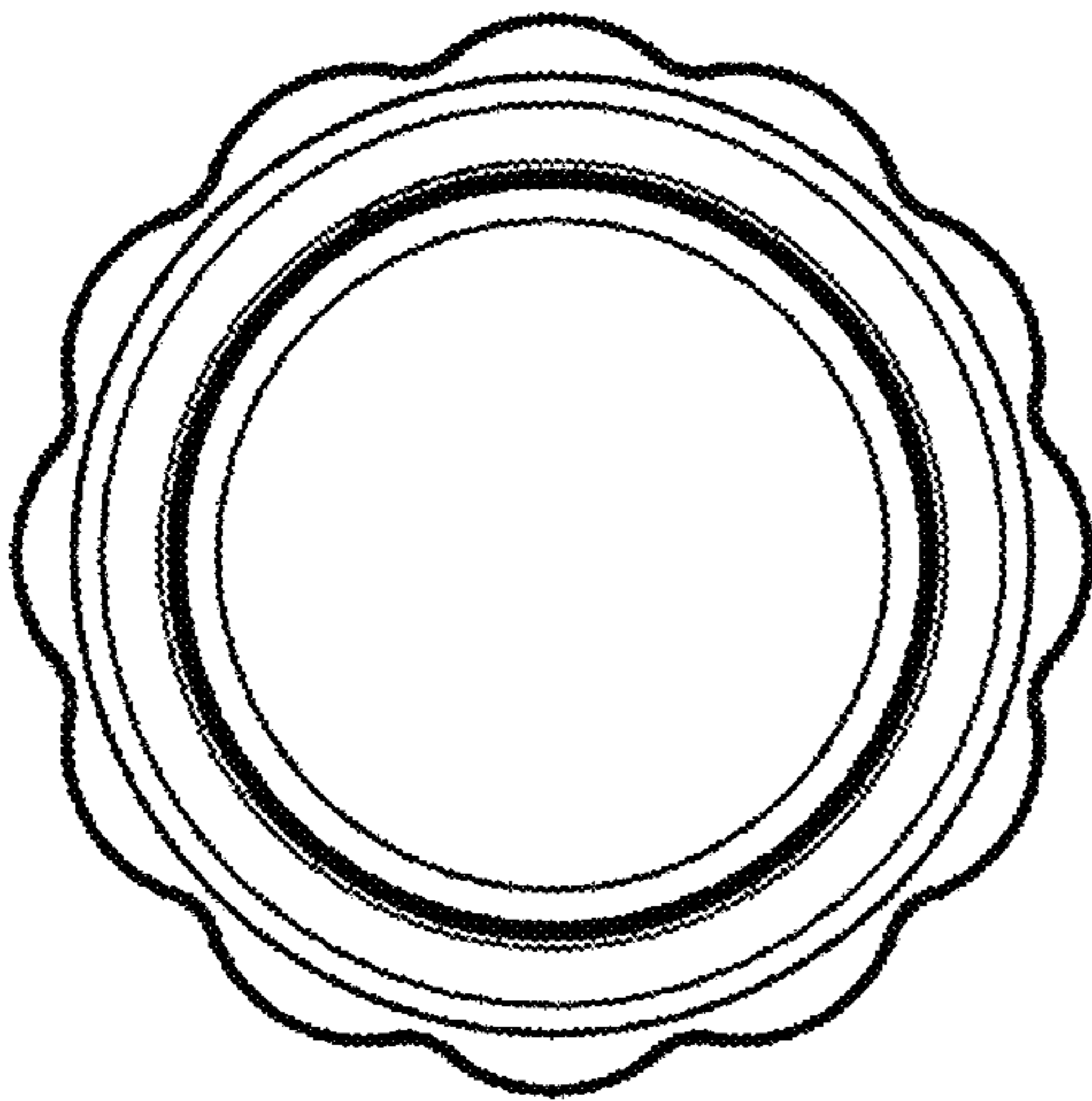
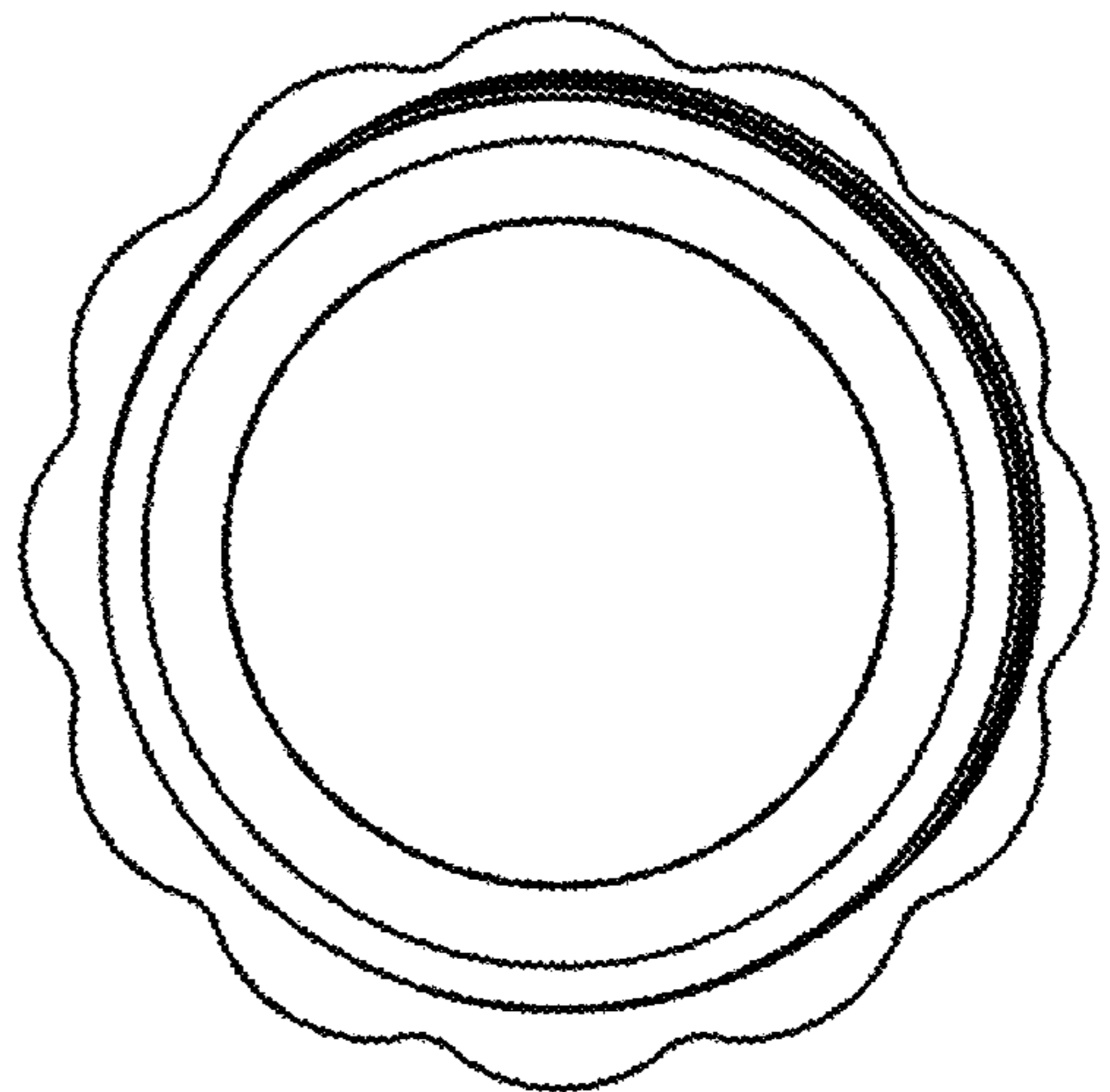
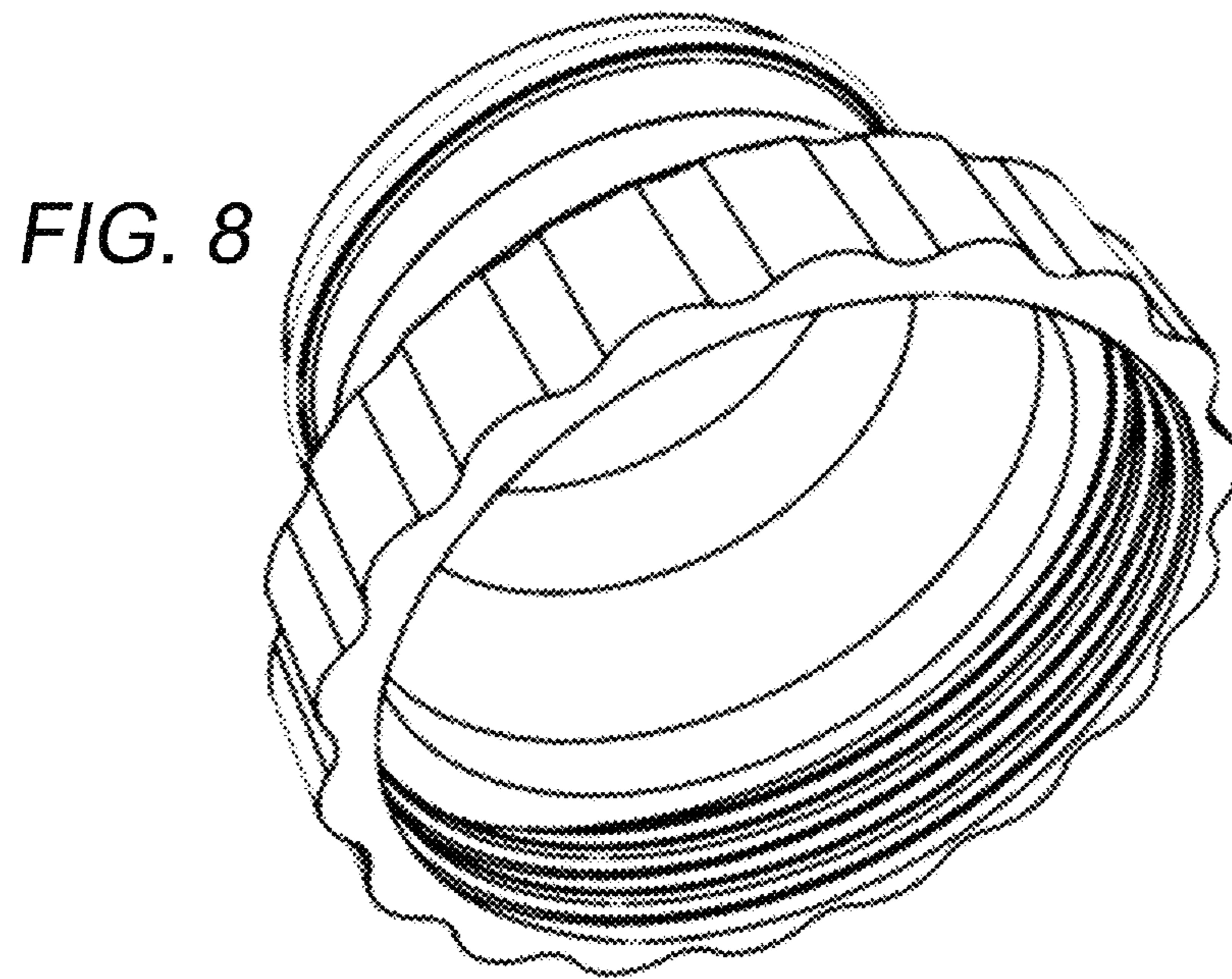
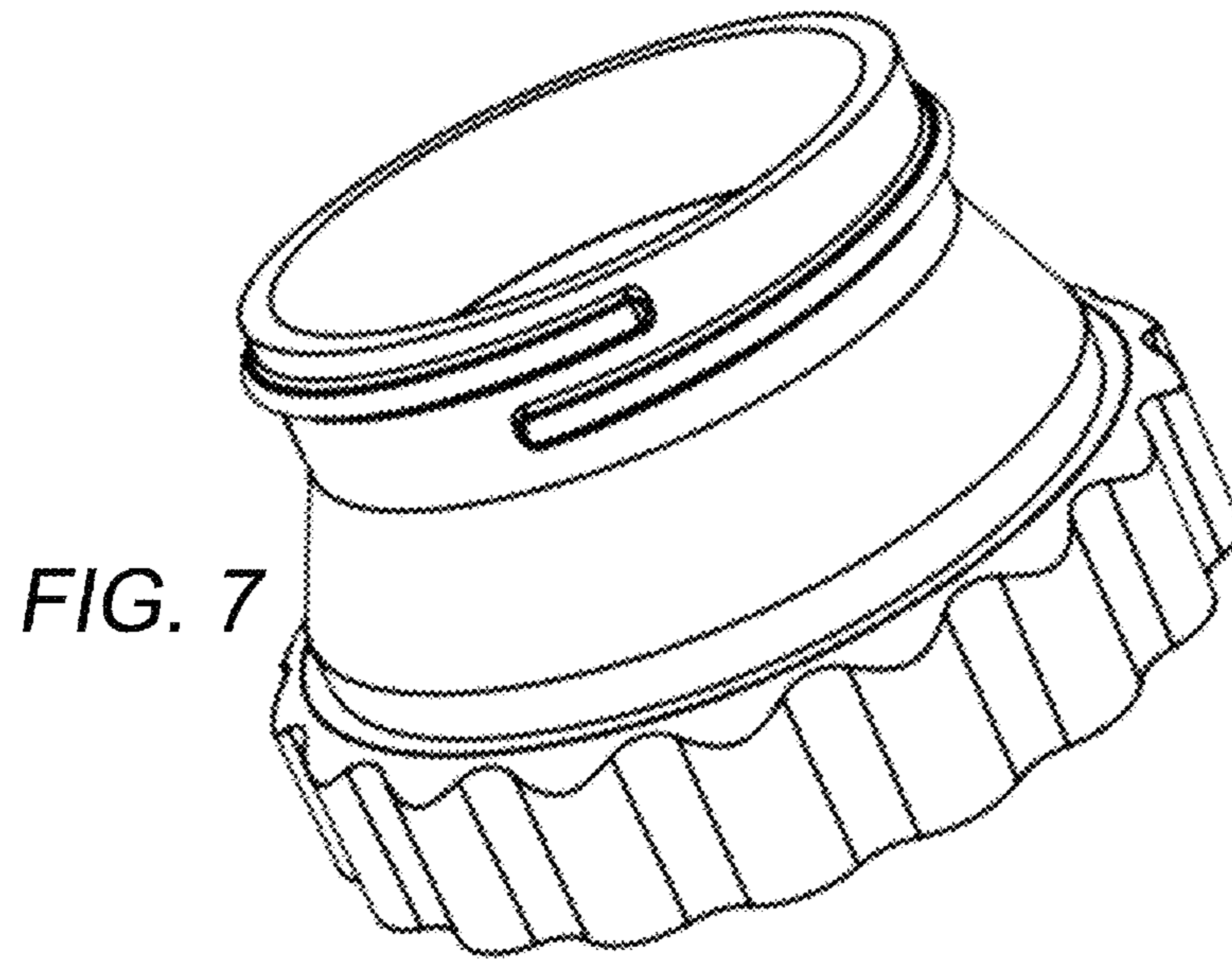


FIG. 6





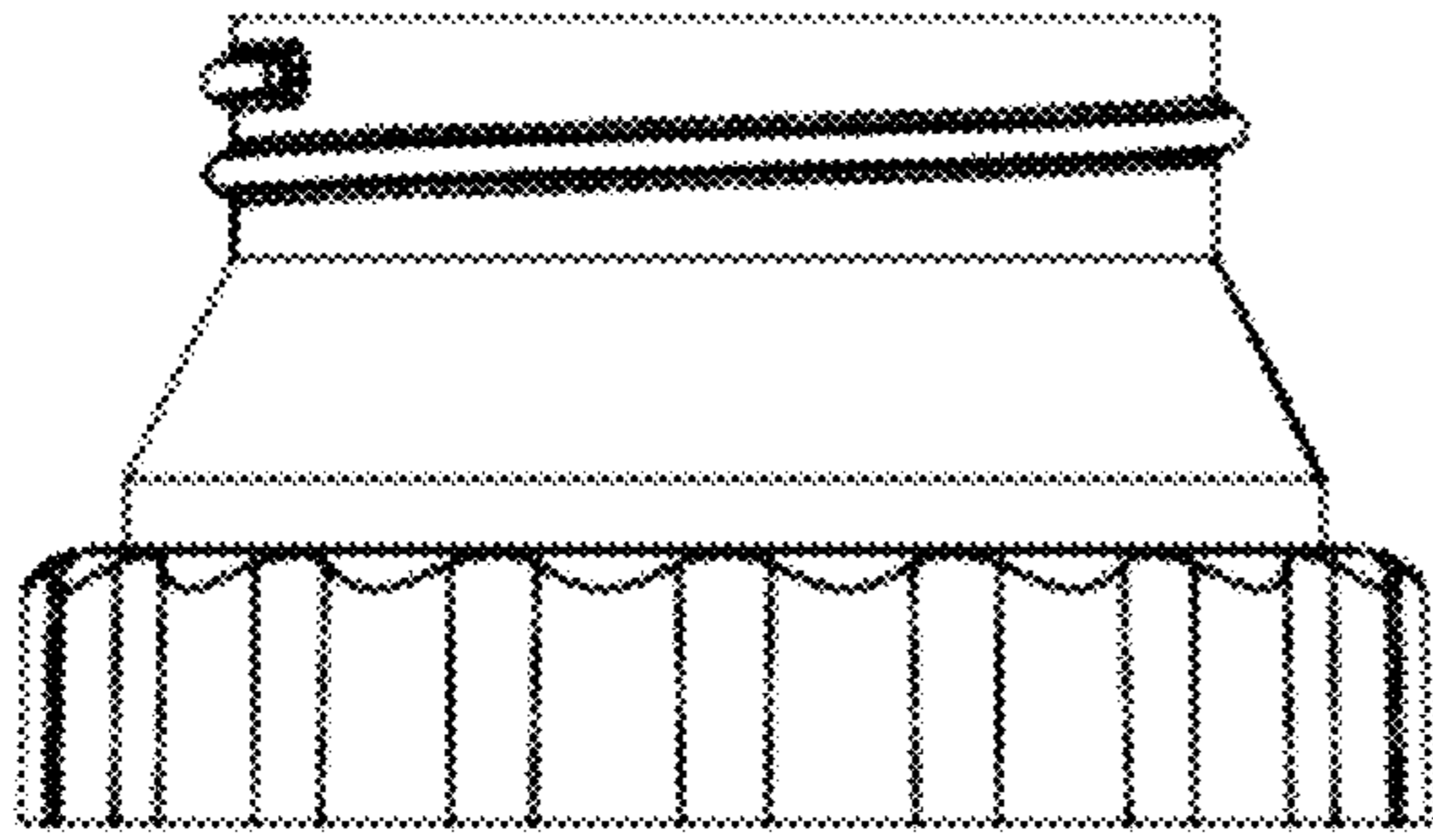


FIG. 9

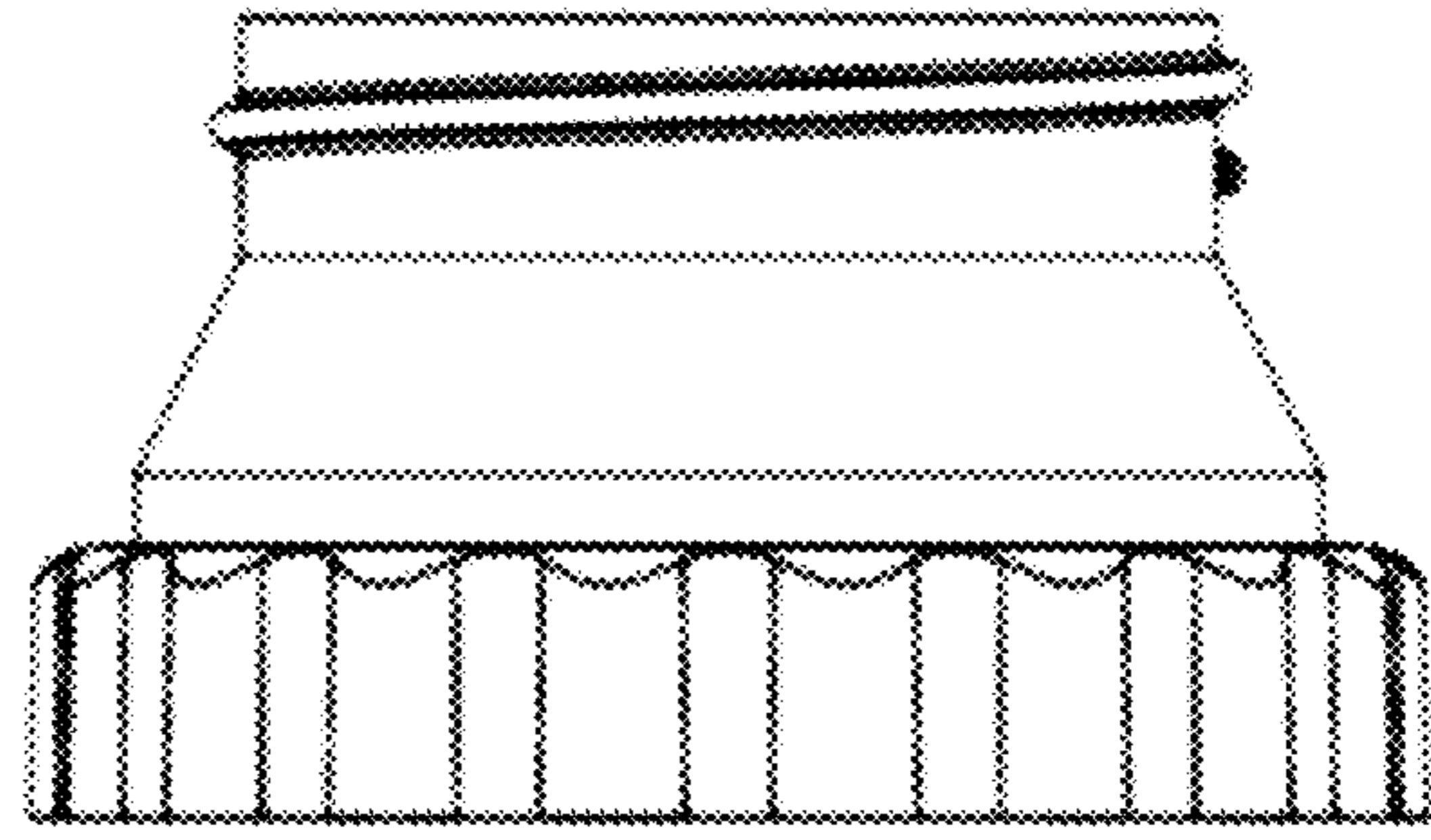


FIG. 10

FIG. 11

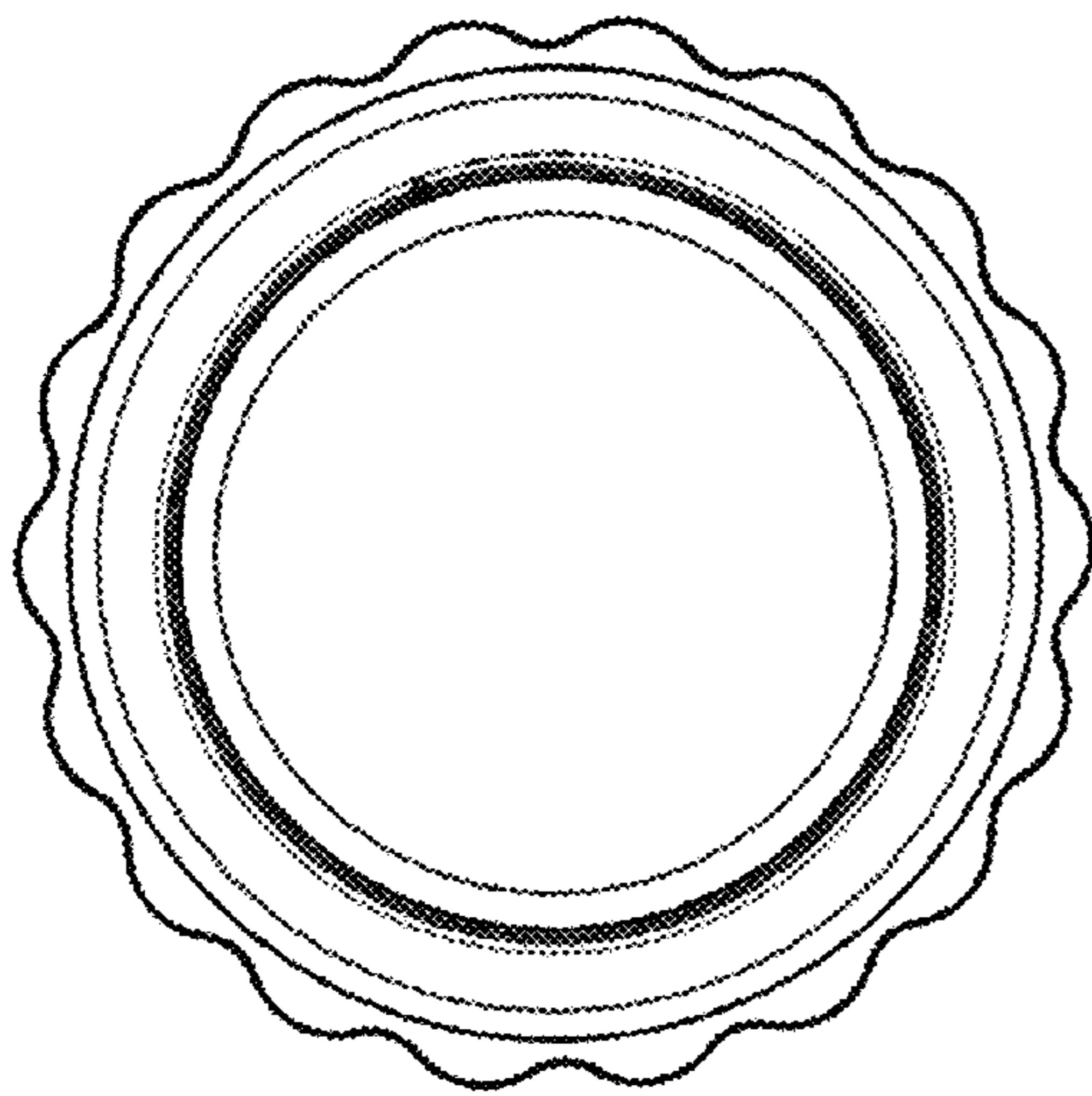
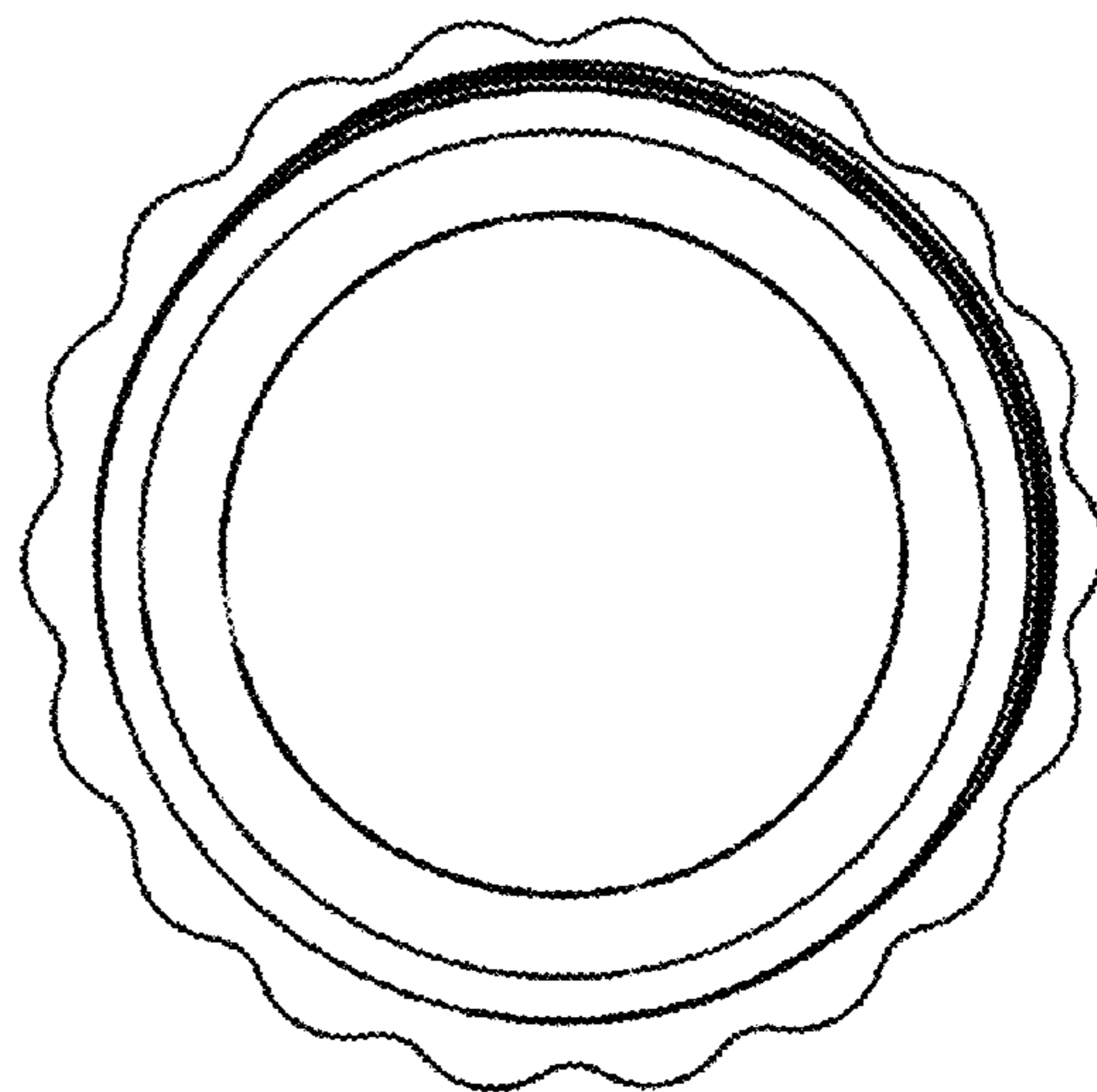
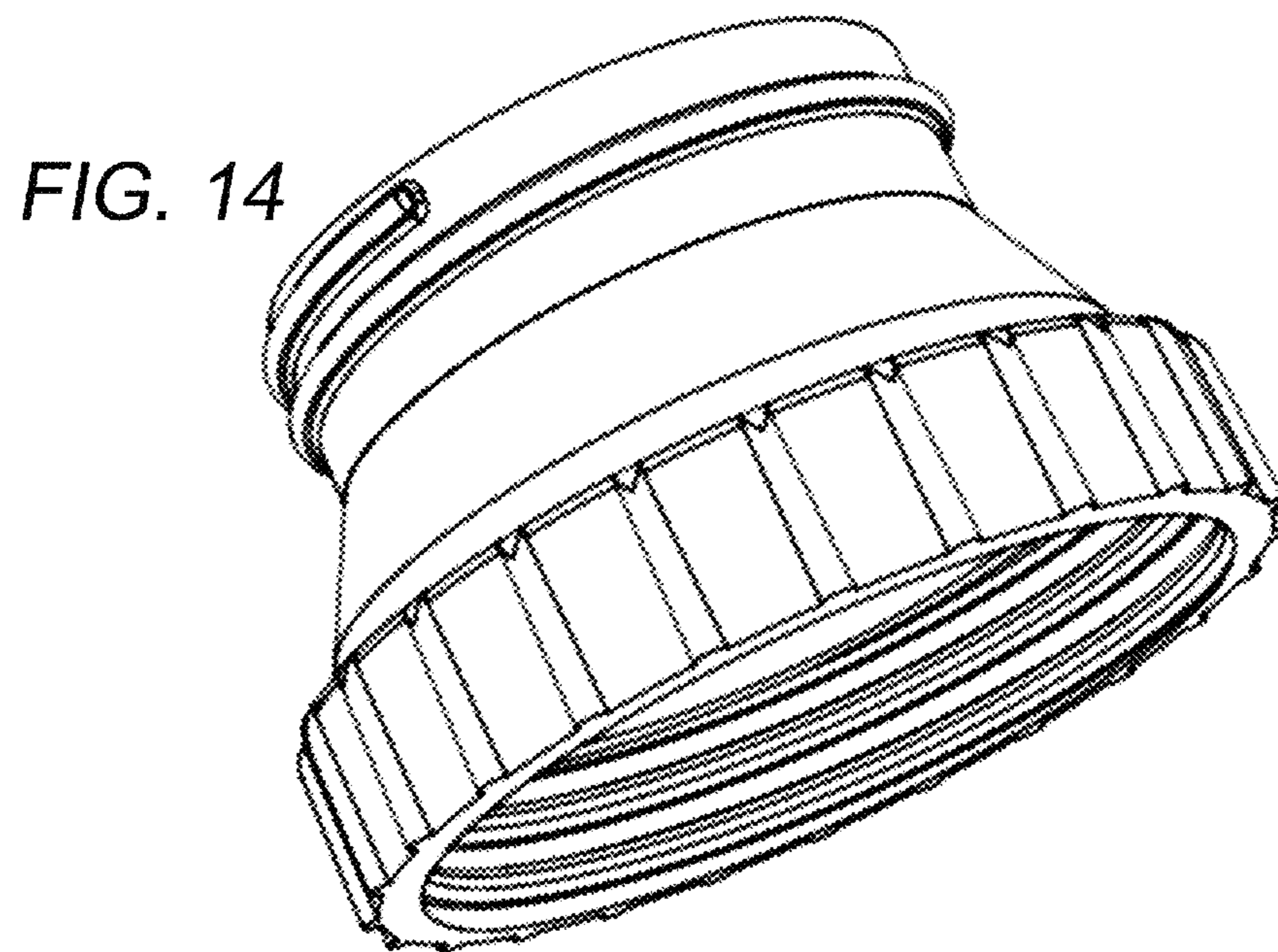
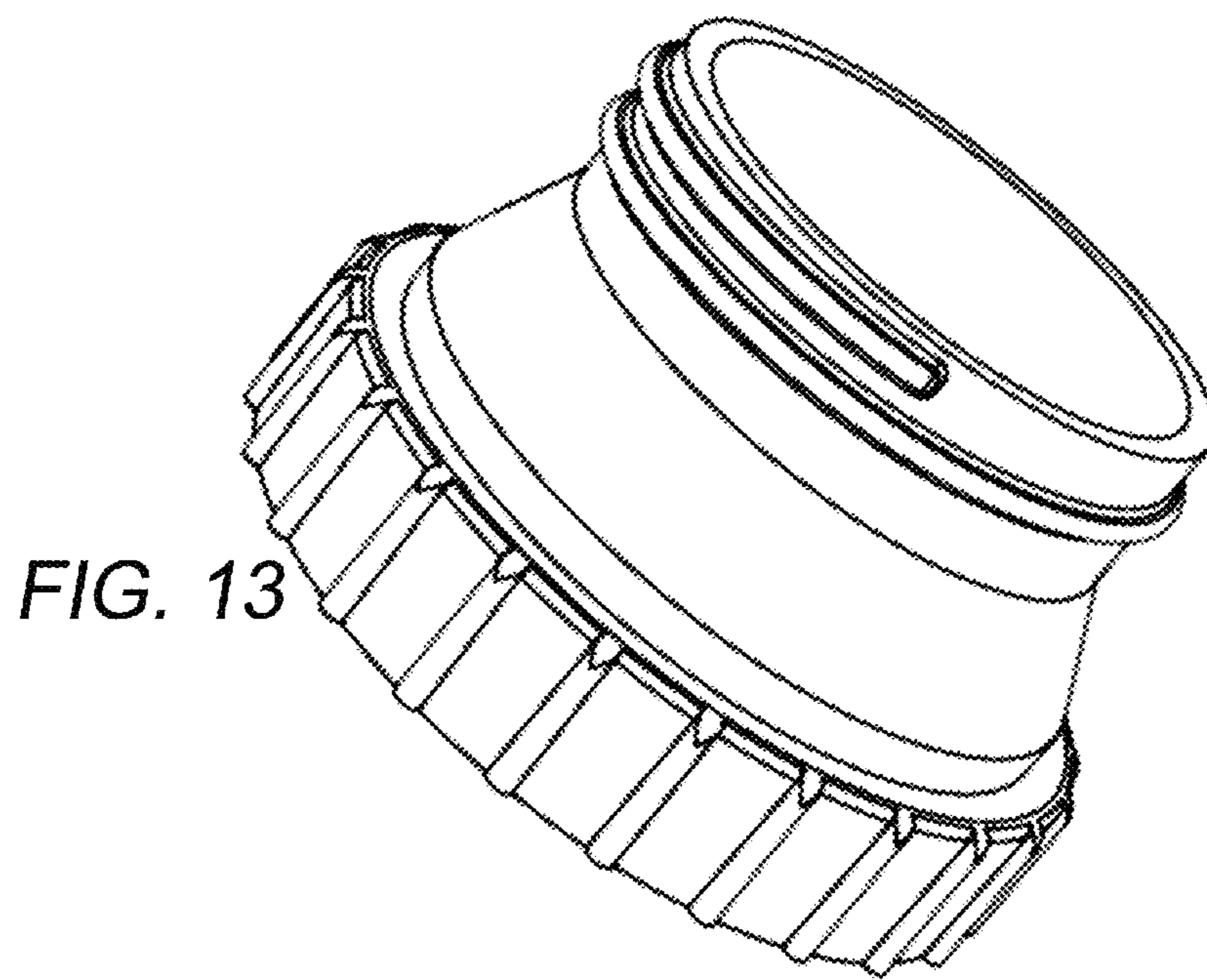


FIG. 12





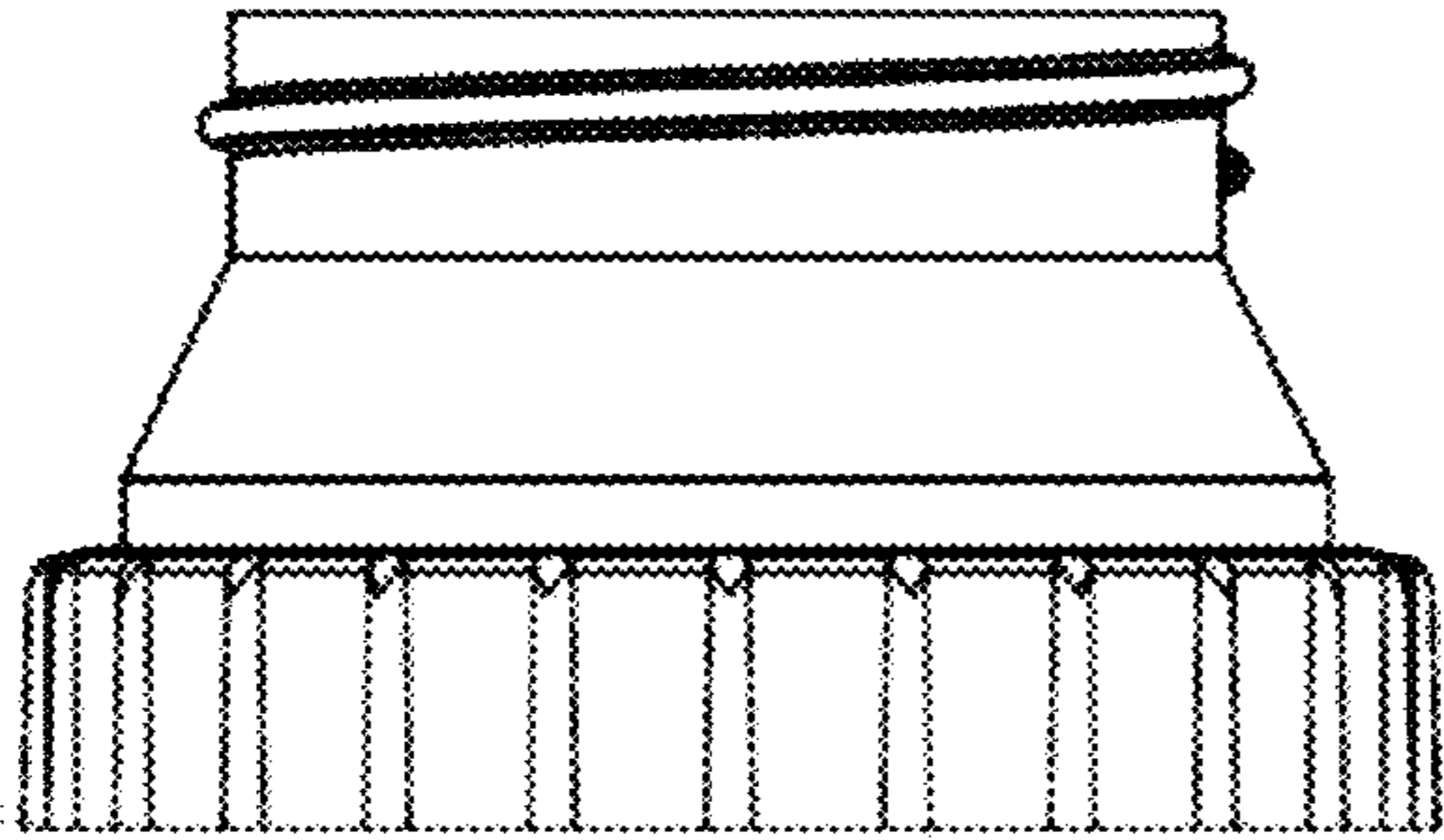


FIG. 15

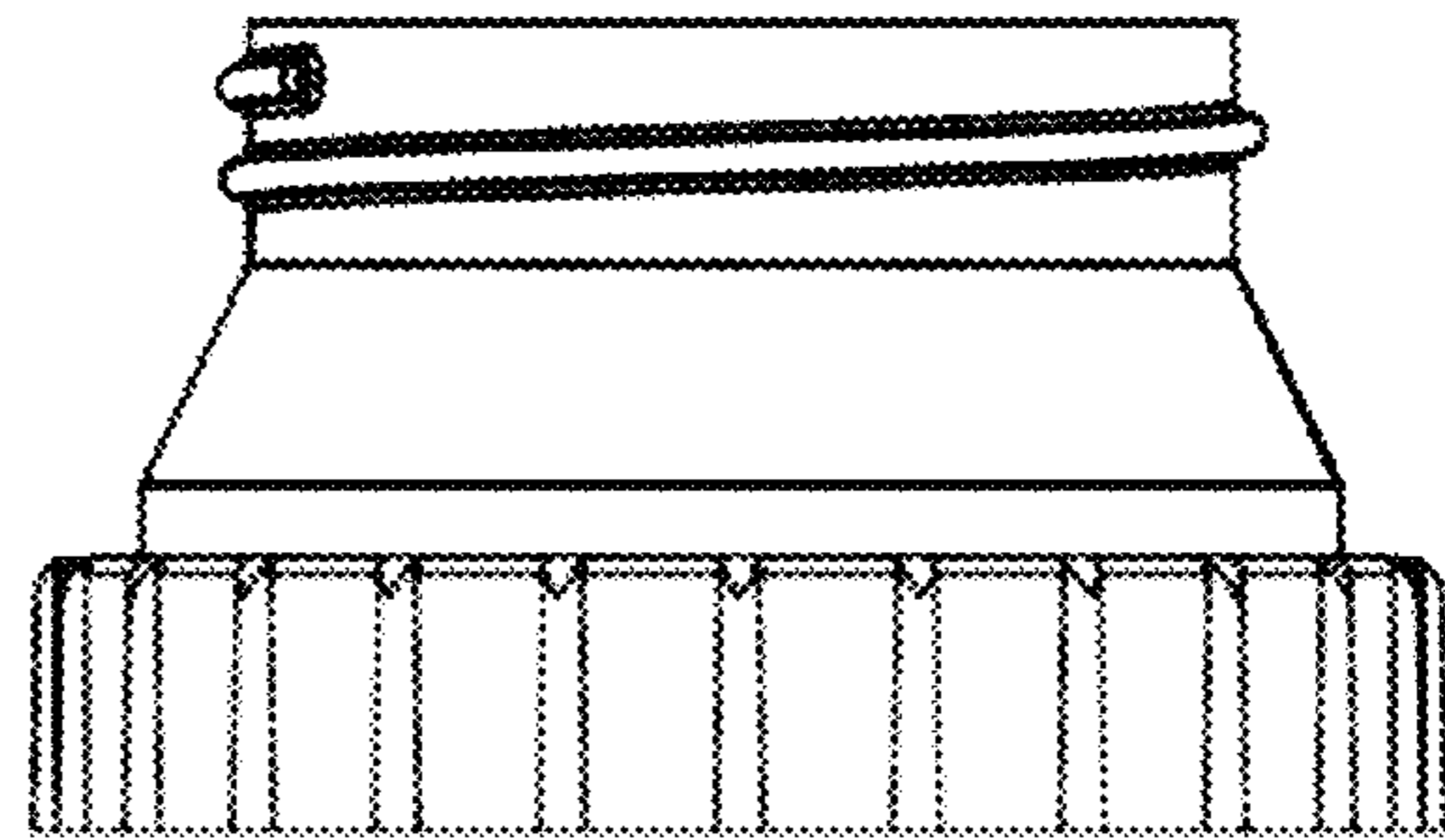


FIG. 16

FIG. 17

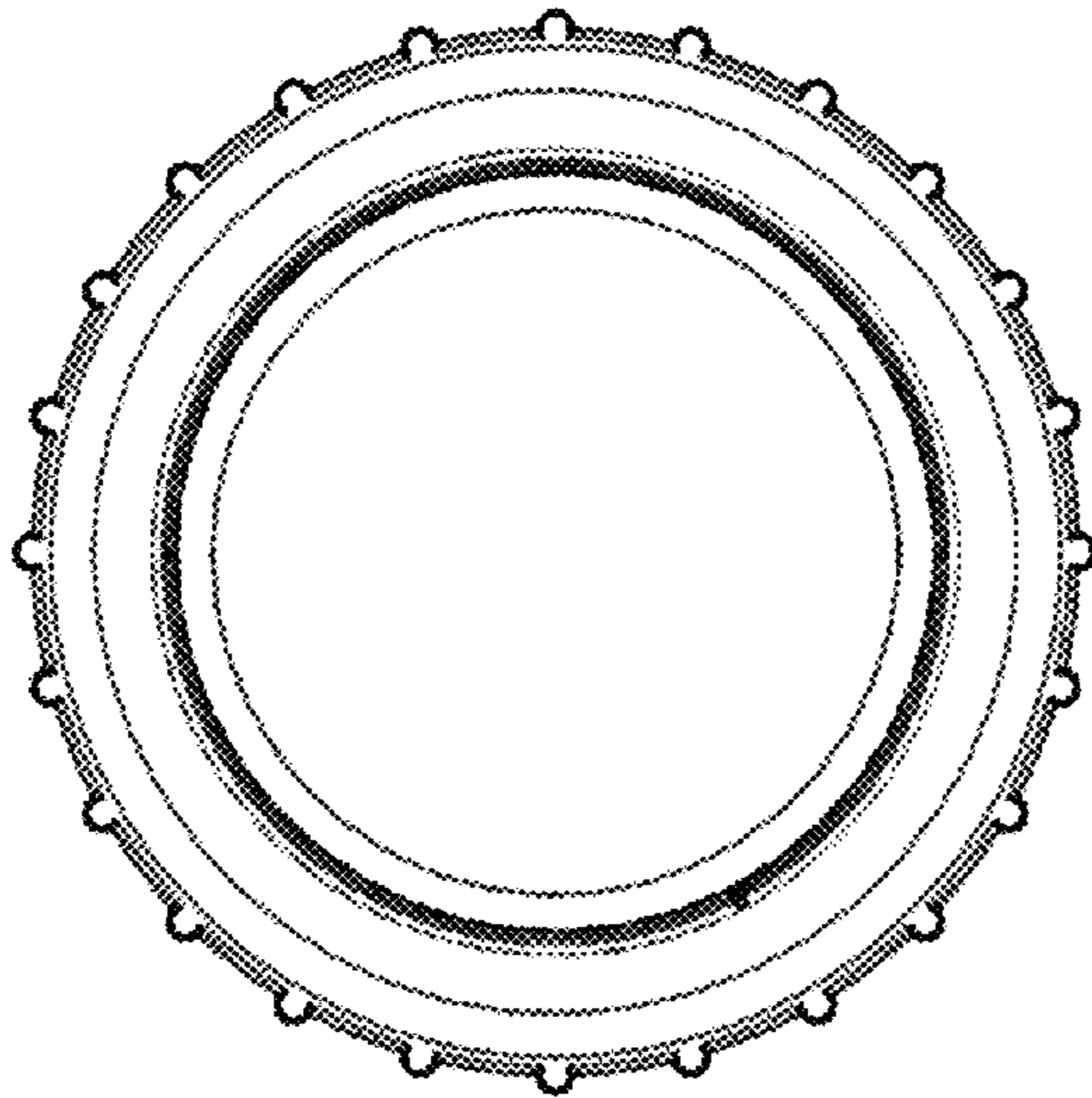


FIG. 18

