



US00D770225S

(12) **United States Design Patent** (10) **Patent No.:** **US D770,225 S**
McConnell et al. (45) **Date of Patent:** **** Nov. 1, 2016**

(54) **BLENDER AND ENCLOSURE**
(71) Applicant: **Whirlpool Corporation**, Benton Harbor, MI (US)
(72) Inventors: **John W. McConnell**, St. Joseph, MI (US); **Brandon T. Mock**, St. Joseph, MI (US); **ZhaoYi Yin**, Benton Harbor, MI (US)

D181,541 S * 11/1957 Madl D7/378
D187,684 S * 4/1960 Hauser D7/378
D200,494 S * 3/1965 Bezark D7/378
5,323,973 A 6/1994 Ferrara, Jr.
5,655,834 A 8/1997 Dickson
5,957,577 A 9/1999 Dickson et al.
D424,865 S 5/2000 Crescenzi et al.
D432,864 S * 10/2000 Kindig D7/412
D484,357 S * 12/2003 Seum D7/378
D528,364 S * 9/2006 Kolar D7/413
D557,976 S * 12/2007 Olson D7/378

(73) Assignee: **Whirlpool Corporation**, Benton Harbor, MI (US)

(Continued)

(**) Term: **14 Years**

FOREIGN PATENT DOCUMENTS

WO 2005051149 6/2005

(21) Appl. No.: **29/519,326**

Primary Examiner — Ricky Pham

(22) Filed: **Mar. 4, 2015**

(57) **CLAIM**

(51) **LOC (10) Cl.** **31-00**

We claim the ornamental design for a blender and enclosure, as shown and described.

(52) **U.S. Cl.**
USPC **D7/412; D7/376; D7/378; D7/386; D7/413**

DESCRIPTION

(58) **Field of Classification Search**
USPC D7/372, 376–386, 412–413, 602, 629, D7/665–666, 669, 679, 693–694
CPC A21C 1/02; A21C 1/04; A23N 1/00; A23N 1/02; A47J 43/04; A47J 43/25; A47J 43/27; A47J 43/042; A47J 43/044; A47J 43/046; A47J 43/075; A47J 43/0722; A47J 43/0727; B01F 3/00; B01F 3/0807; B01F 3/0853; B01F 13/0059; B01F 13/0064; B02C 1/08; B02C 2/04; B02C 4/42; B02C 4/142; B02C 4/143; B02C 4/423; B02C 13/1835; B28C 5/10; B28C 5/12; B28C 5/14; B28C 5/16

FIG. 1 is a front perspective view of the blender and enclosure of the present invention;
FIG. 2 is a rear perspective view of the blender and enclosure of FIG. 1;
FIG. 3 is a front elevation view of the blender and enclosure of FIG. 1;
FIG. 4 is a rear elevation view of the blender and enclosure of FIG. 1;
FIG. 5 is a first-side elevation view of the blender and enclosure FIG. 1;
FIG. 6 is a second-side elevation view of the blender and enclosure of FIG. 1;
FIG. 7 is a top plan view of the blender and enclosure of FIG. 1; and,
FIG. 8 is a bottom plan view of the blender and enclosure of FIG. 1.

See application file for complete search history.

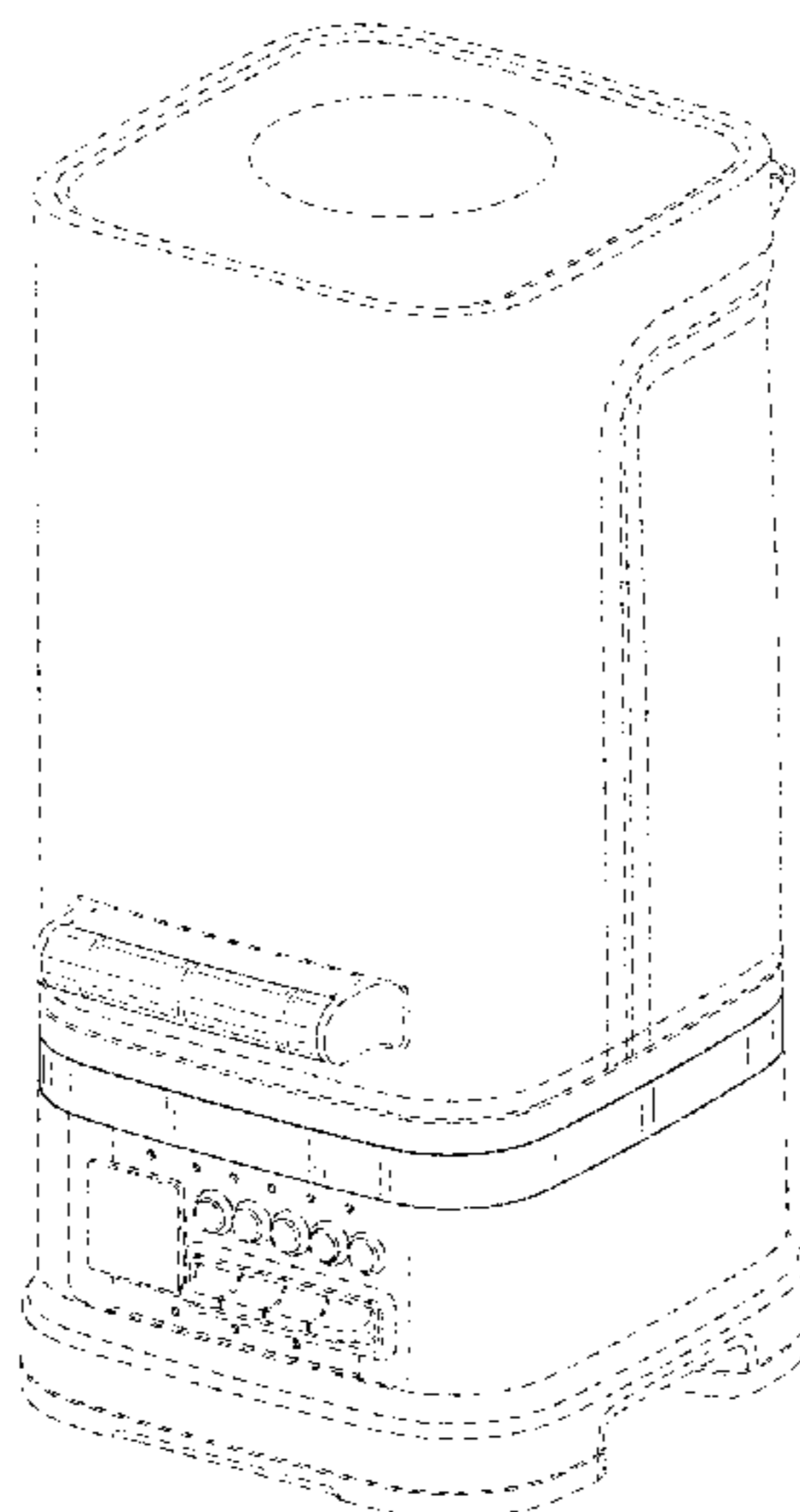
The broken lines shown in the drawings are for illustrative purposes only and form no part of the claimed design.

(56) **References Cited**

U.S. PATENT DOCUMENTS

2,304,476 A 12/1942 Poplawski
D176,257 S * 12/1955 Hill D7/378

1 Claim, 7 Drawing Sheets



(56)

References Cited

U.S. PATENT DOCUMENTS

D560,963 S *	2/2008	Alzheimer	D7/378	7,871,195 B2	1/2011	Larsen et al.	
7,520,663 B1	4/2009	Kolar et al.		D637,862 S *	5/2011	Fouquet	D7/376
D592,903 S *	5/2009	Olson	D7/376	8,087,603 B2	1/2012	Kolar et al.	
D594,697 S *	6/2009	Lavy	D7/386	8,287,180 B2	10/2012	Kolar et al.	
D595,087 S	6/2009	Metaxatos et al.		8,360,480 B2	1/2013	Athey et al.	
7,712,951 B2	5/2010	Bohannon, Jr. et al.		D711,682 S *	8/2014	Norland	D7/376
				2005/0152215 A1	7/2005	Stuart et al.	
				2008/0089170 A1	4/2008	Larsen et al.	
				2009/0260523 A1	10/2009	Peng	

* cited by examiner

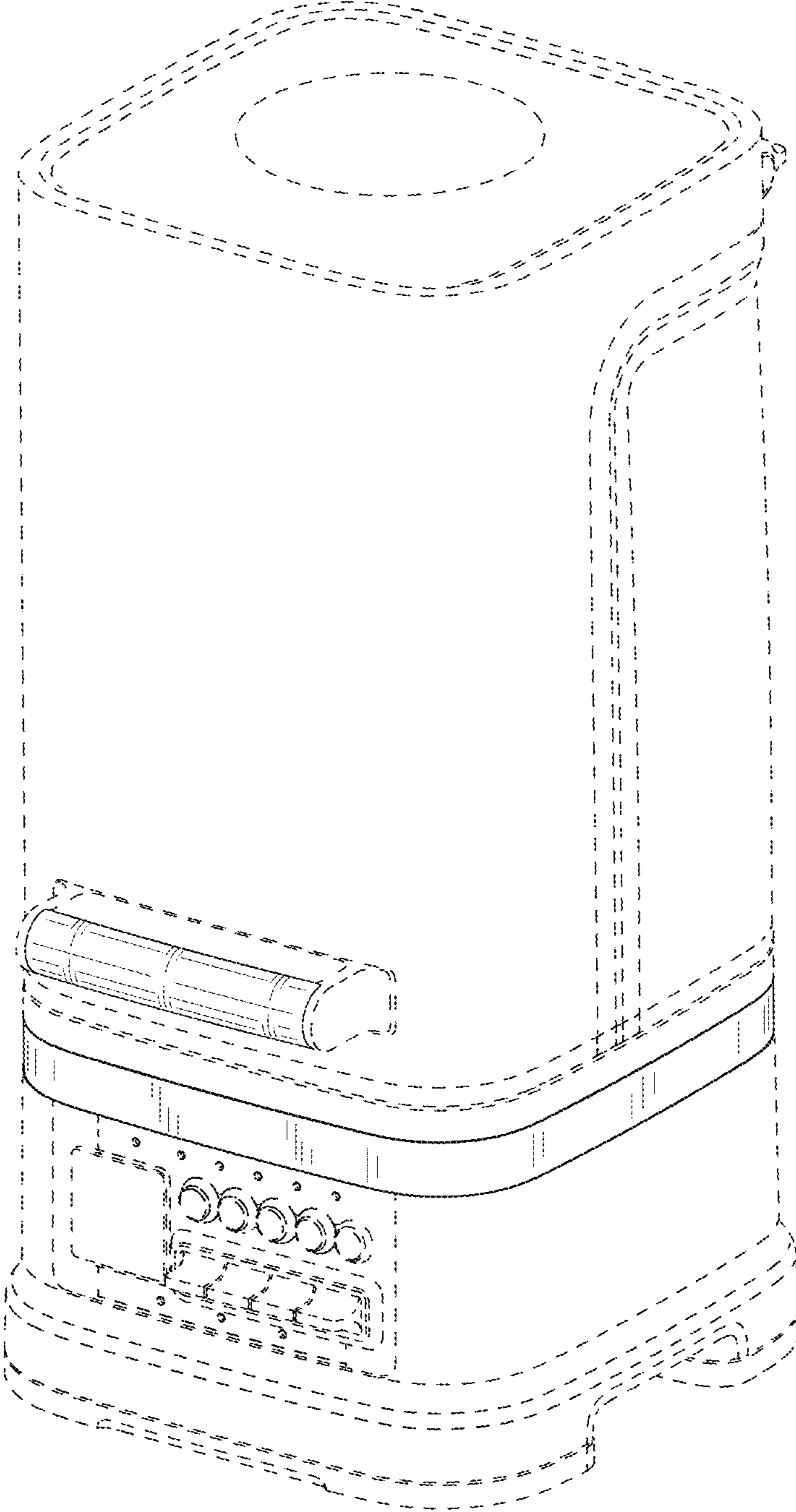


FIG. 1

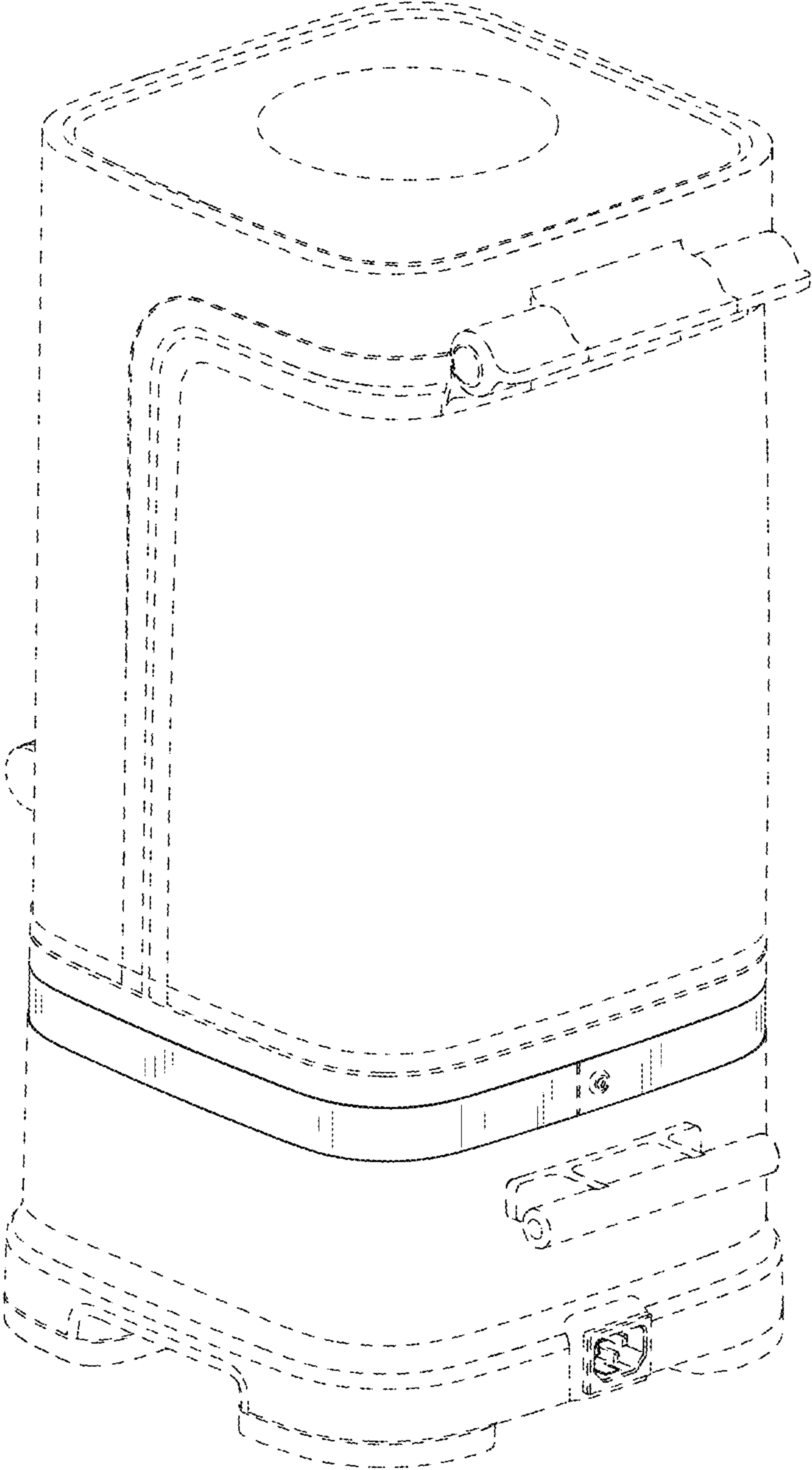


FIG. 2

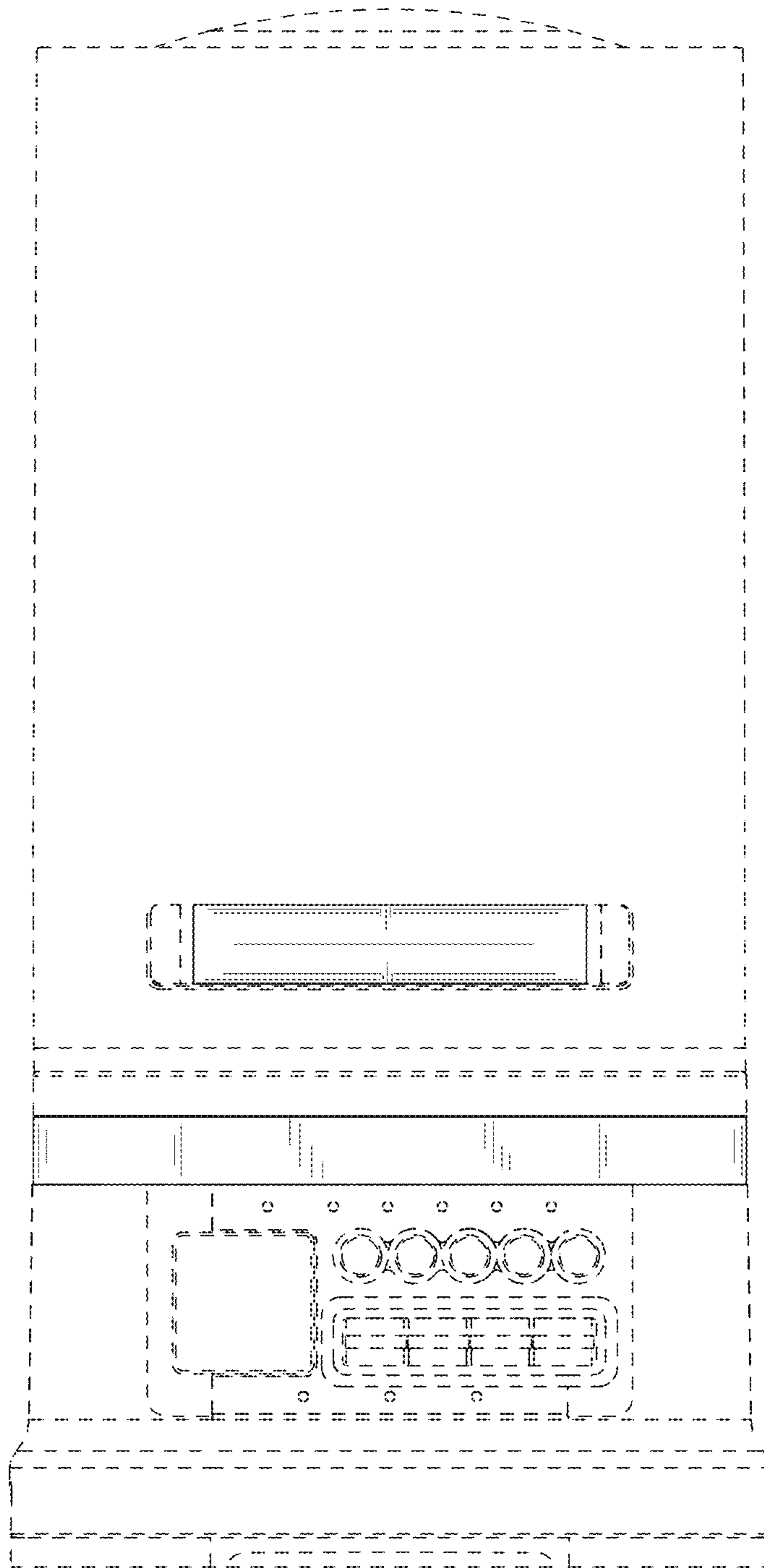


FIG. 3

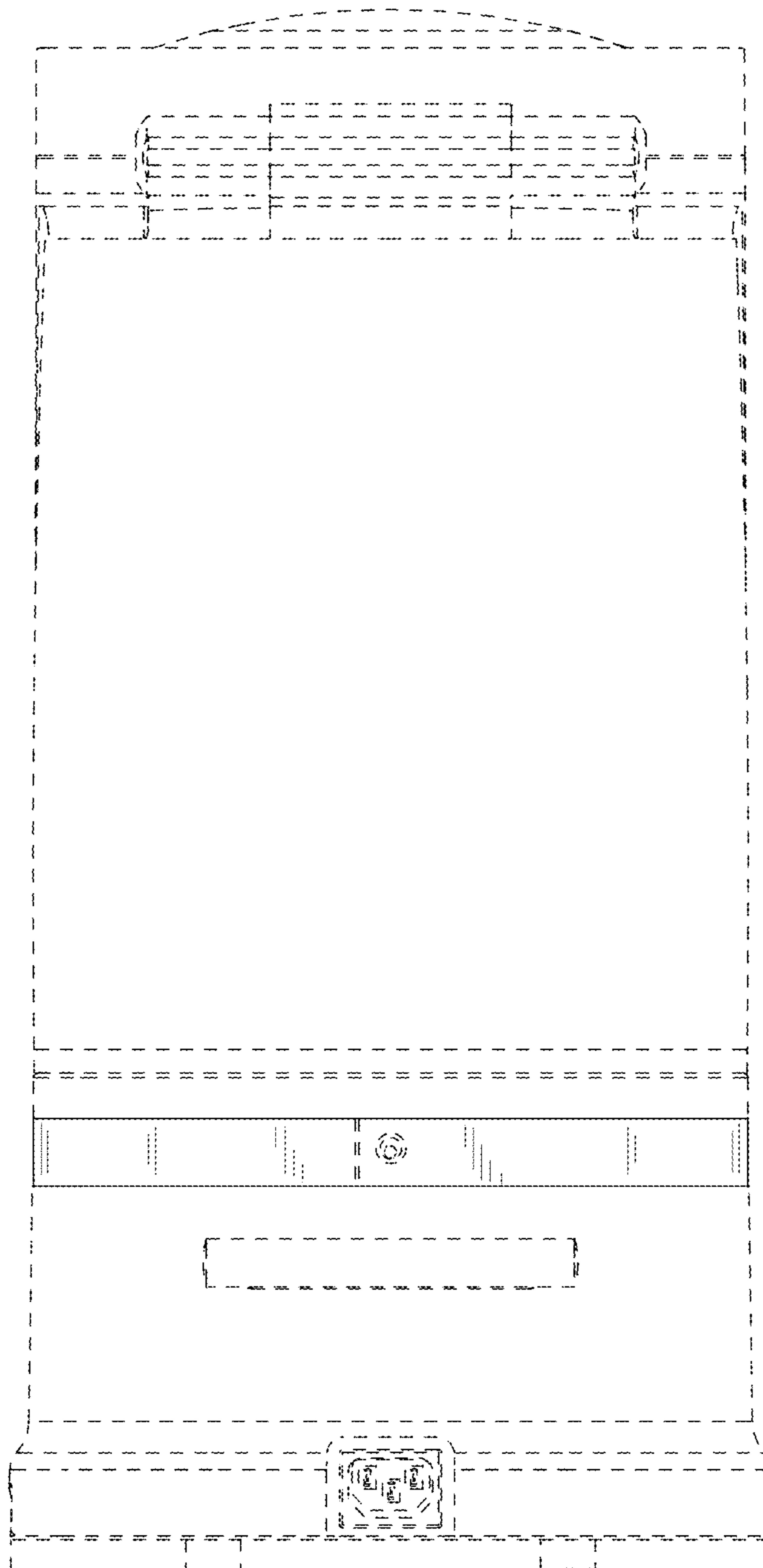


FIG. 4

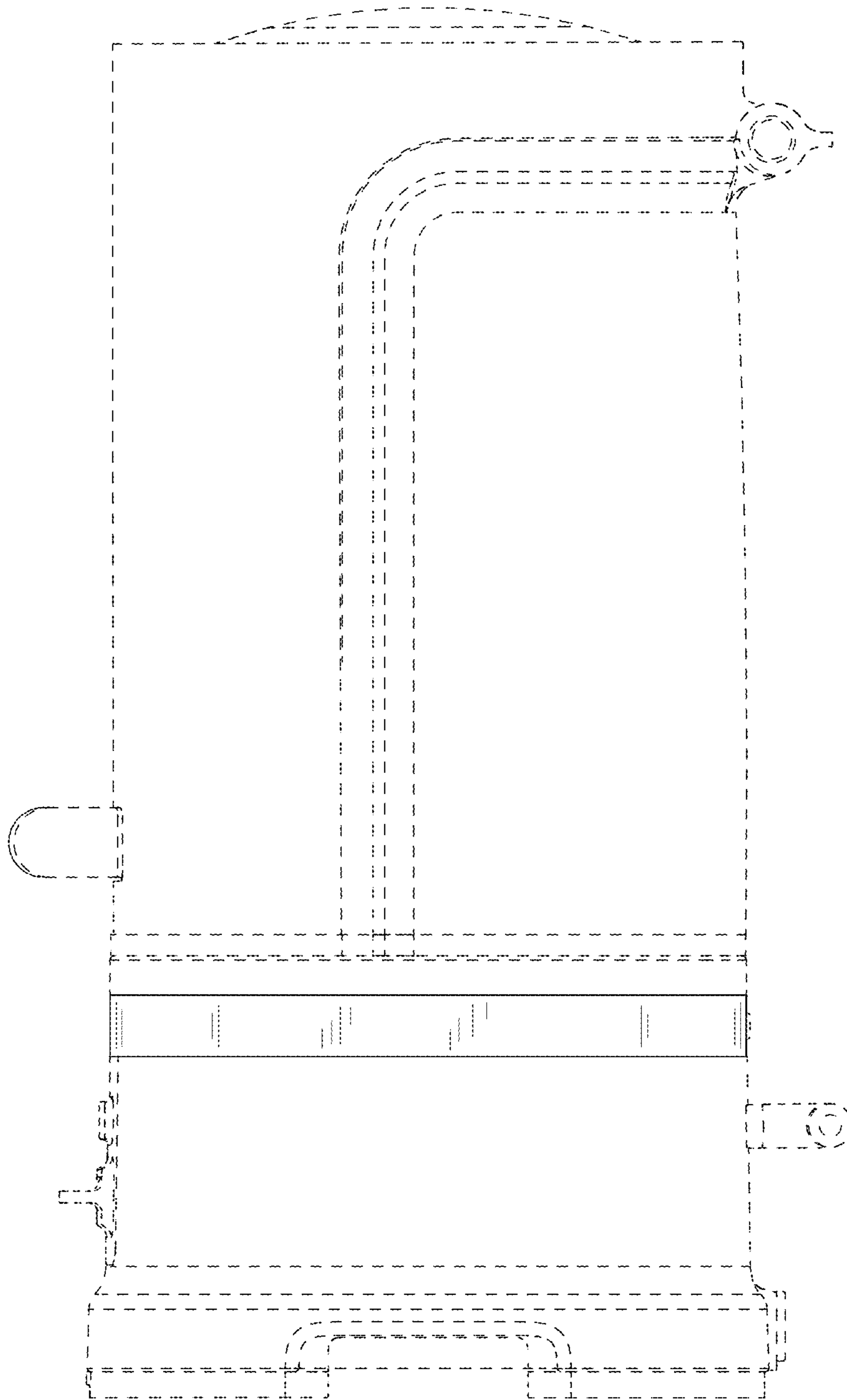


FIG. 5

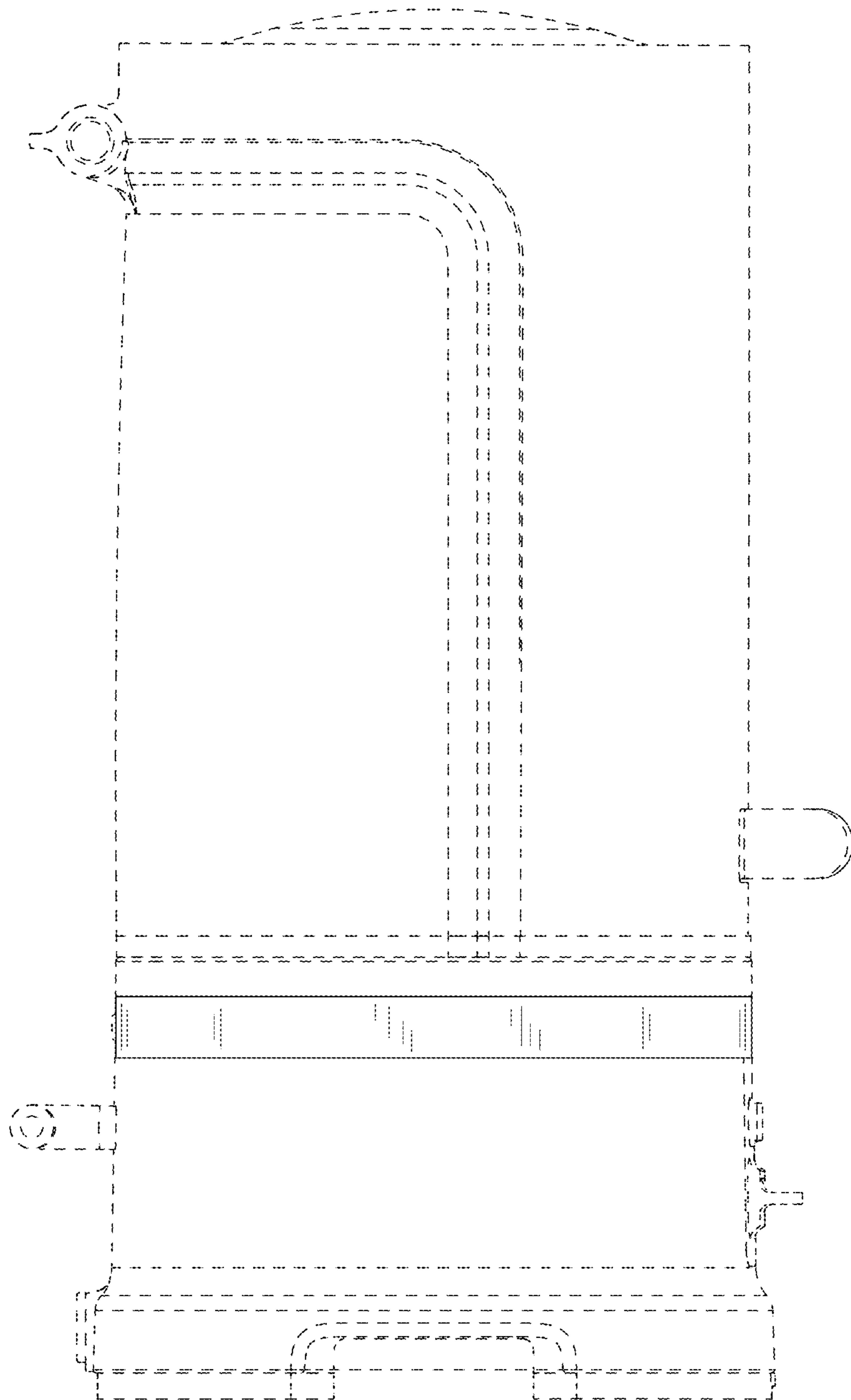


FIG. 6

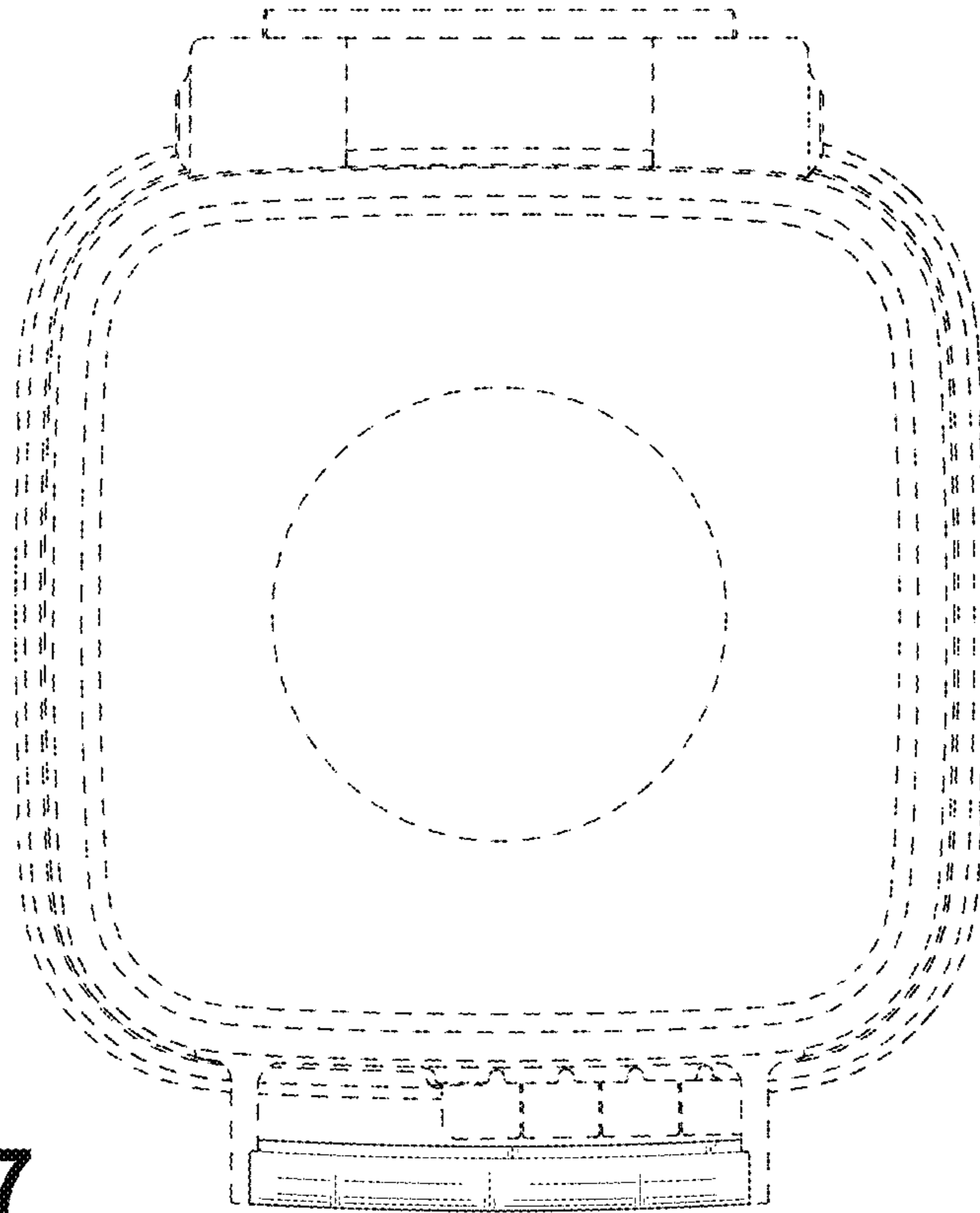


FIG. 7

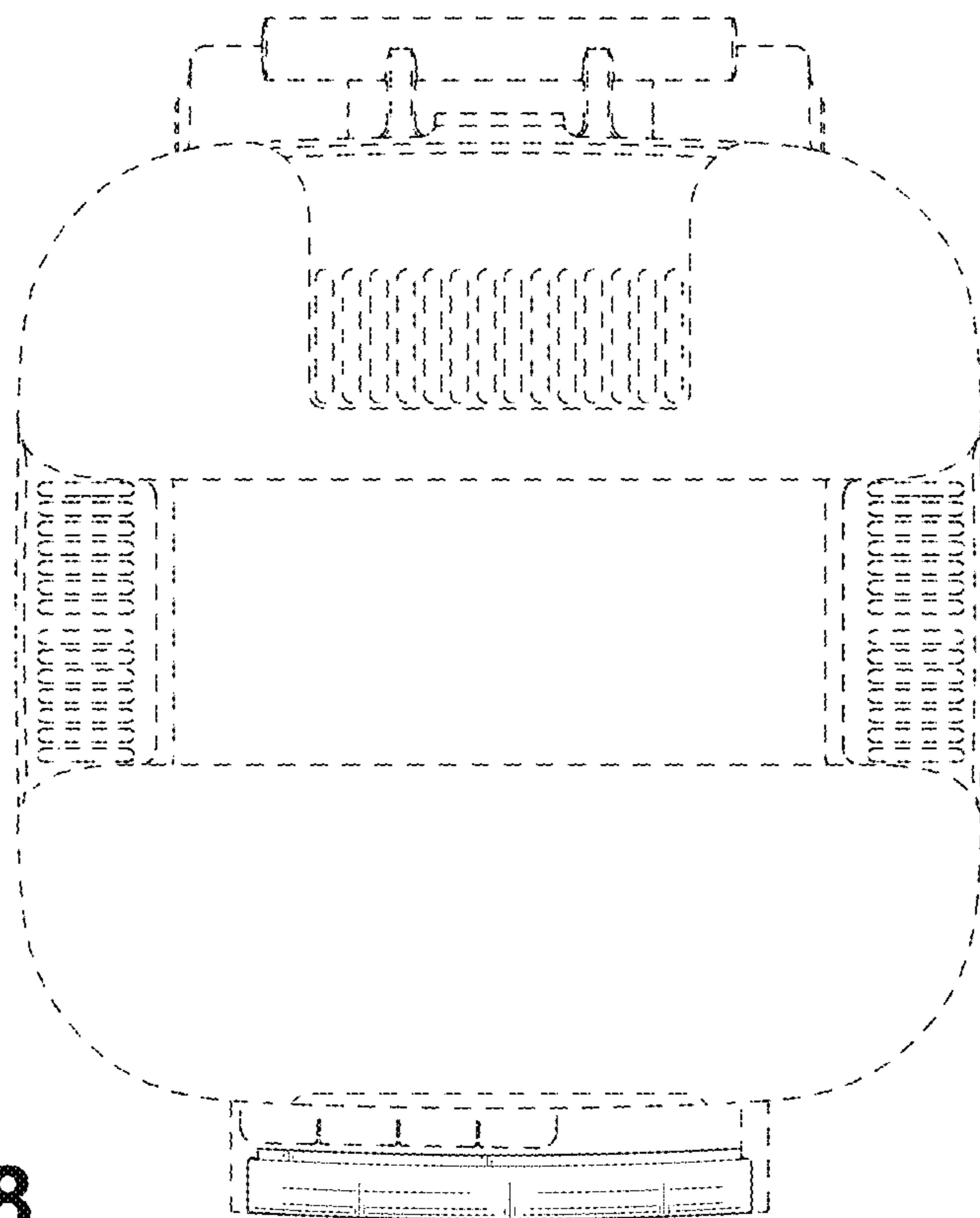


FIG. 8