



US00D770223S

(12) **United States Design Patent** (10) **Patent No.:** **US D770,223 S**  
**Witzel et al.** (45) **Date of Patent:** **\*\* Nov. 1, 2016**

(54) **FOLDABLE GRILL WITH OFFSET LEGS**

(71) Applicant: **Onward Multi-Corp Inc.**, Waterloo (CA)

(72) Inventors: **Theodore Andrew Witzel**, Kitchener (CA); **James Edward Scott**, Cambridge (CA); **Benjamin Michael Harrison**, Waterloo (CA)

(73) Assignee: **ONWARD MULTI-CORP INC.**, Waterloo, Ont (CA)

(\*\*) Term: **14 Years**

(21) Appl. No.: **29/519,605**

(22) Filed: **Mar. 6, 2015**

**Related U.S. Application Data**

(63) Continuation of application No. 29/449,604, filed on Mar. 15, 2013, now Pat. No. Des. 726,491.

(51) **LOC (10) Cl.** ..... **07-02**

(52) **U.S. Cl.**  
USPC ..... **D7/403**

(58) **Field of Classification Search**  
USPC ..... D7/332, 334-337, 402-406; 126/25 R, 126/25 A, 25 AA, 9 R, 38, 41 R, 40, 50, 276; 99/449

CPC ..... A47J 37/0704; A47J 37/0763; A47J 37/0713; F24C 3/027; F24C 3/14; F24C 15/08; F24B 1/207; B62B 2202/404  
See application file for complete search history.

(56) **References Cited**

**U.S. PATENT DOCUMENTS**

- 4,210,118 A \* 7/1980 Davis ..... A47J 37/0763  
126/25 R
- 4,544,203 A \* 10/1985 Younger ..... A47G 9/1009  
108/118
- 6,257,229 B1 7/2001 Stewart et al.
- 6,422,230 B1 \* 7/2002 Stewart ..... A47J 37/0763  
126/25 R
- D480,907 S \* 10/2003 Pai ..... D7/334

- D516,860 S \* 3/2006 Nipke ..... D7/403
- D636,628 S \* 4/2011 Chung ..... D7/334
- 7,958,882 B1 \* 6/2011 Sgourides ..... F24C 3/14  
126/25 R
- 8,316,837 B2 \* 11/2012 Malumyan ..... A47J 37/0704  
126/25 B
- D680,365 S \* 4/2013 Chung ..... D7/334
- D680,366 S \* 4/2013 Chung ..... D7/334
- D687,667 S \* 8/2013 Chien ..... D7/334
- 2005/0252504 A1 \* 11/2005 Cabrera ..... A47J 37/0704  
126/50
- 2013/0074822 A1 \* 3/2013 Chien ..... A47J 37/0763  
126/25 R

**OTHER PUBLICATIONS**

Zippo Outdoor (Online), All-Terrain Grill. Published as early as Jul. 31, 2012. Retrieved from the Internet: URL: <http://zippooutdoor.com/all-terrain-grill/>.  
Coleman Canada (Online), Published as early as Aug. 20, 2012. Retrieved from the Internet: URL: <http://colemancanada.ca/Catalog/GRILLS.Roadtrip.en.products>.

\* cited by examiner

*Primary Examiner* — Ruth McInroy

(74) *Attorney, Agent, or Firm* — Bereskin & Parr

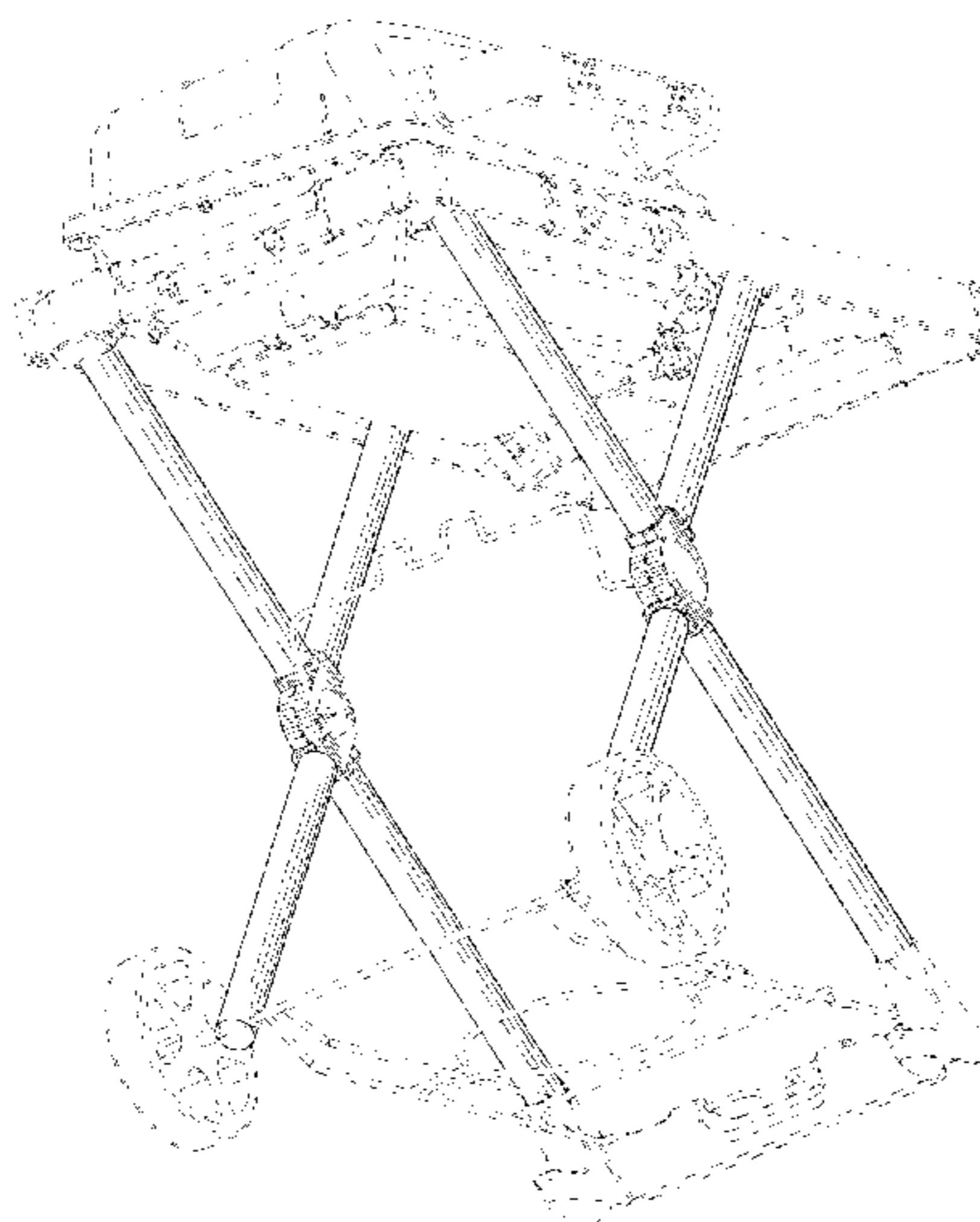
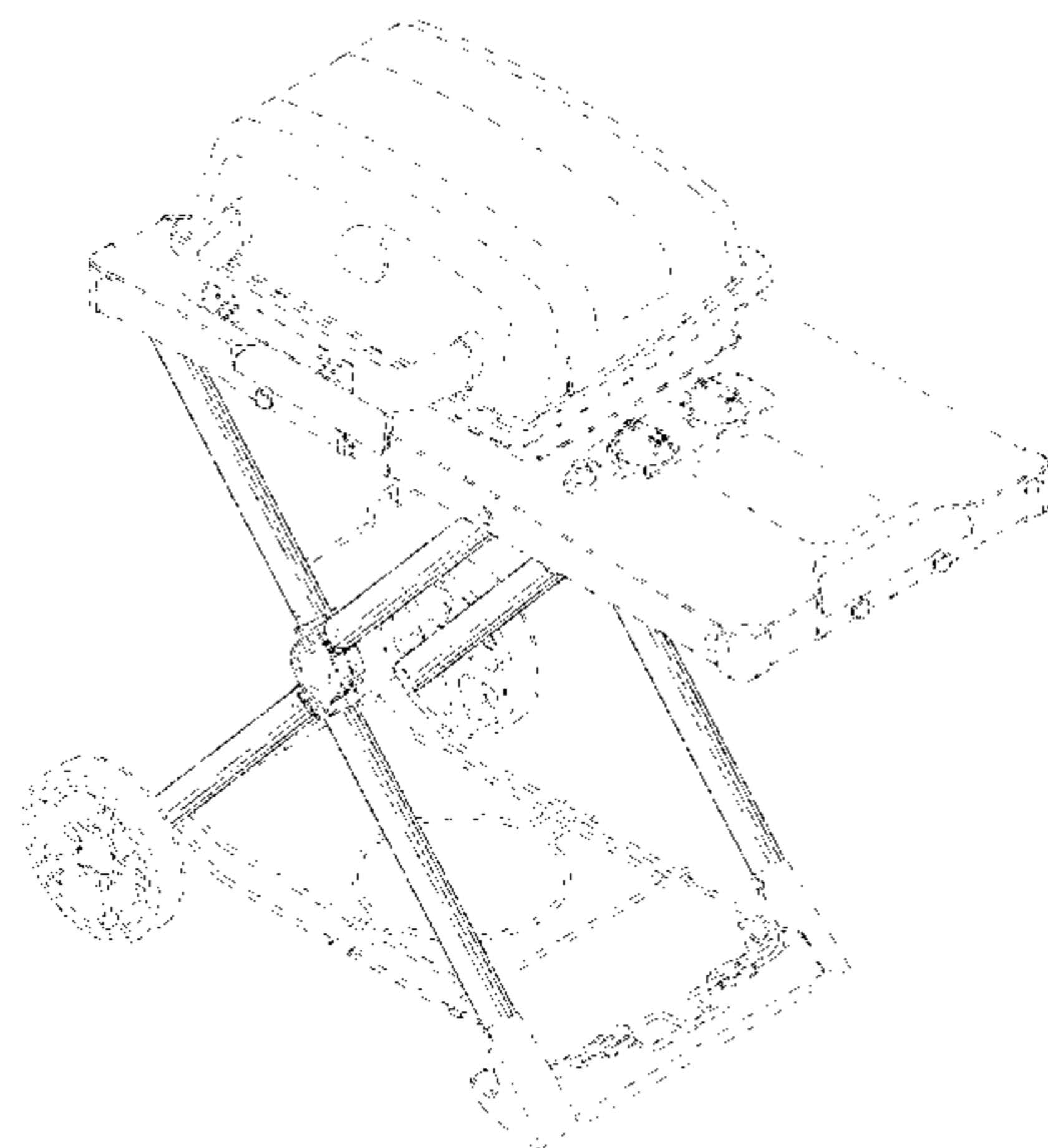
(57) **CLAIM**

The ornamental design for a foldable grill with offset legs, as shown and described.

**DESCRIPTION**

FIG. 1 is a top perspective view of a foldable grill with offset legs showing our new design;  
FIG. 2 is a bottom perspective view thereof;  
FIG. 3 is a back elevational view thereof;  
FIG. 4 is a front elevational view thereof;  
FIG. 5 is a top plan view thereof;  
FIG. 6 is a bottom plan view thereof;  
FIG. 7 is a left side view thereof; and,  
FIG. 8 is a right side view thereof.  
The broken lines showing portions of the grill in FIGS. 1-8 form no part of the claimed design.

**1 Claim, 7 Drawing Sheets**



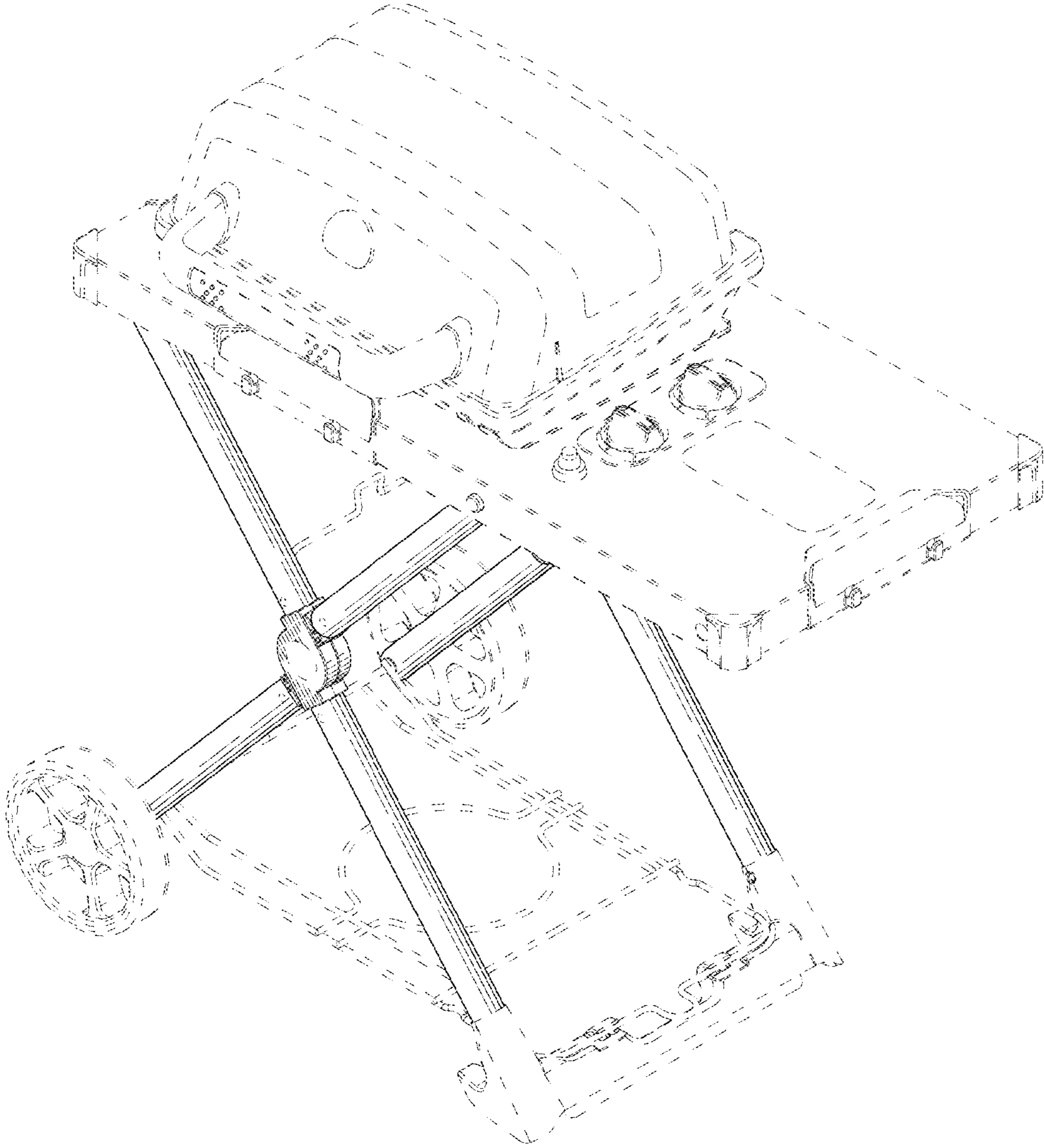


FIG.1

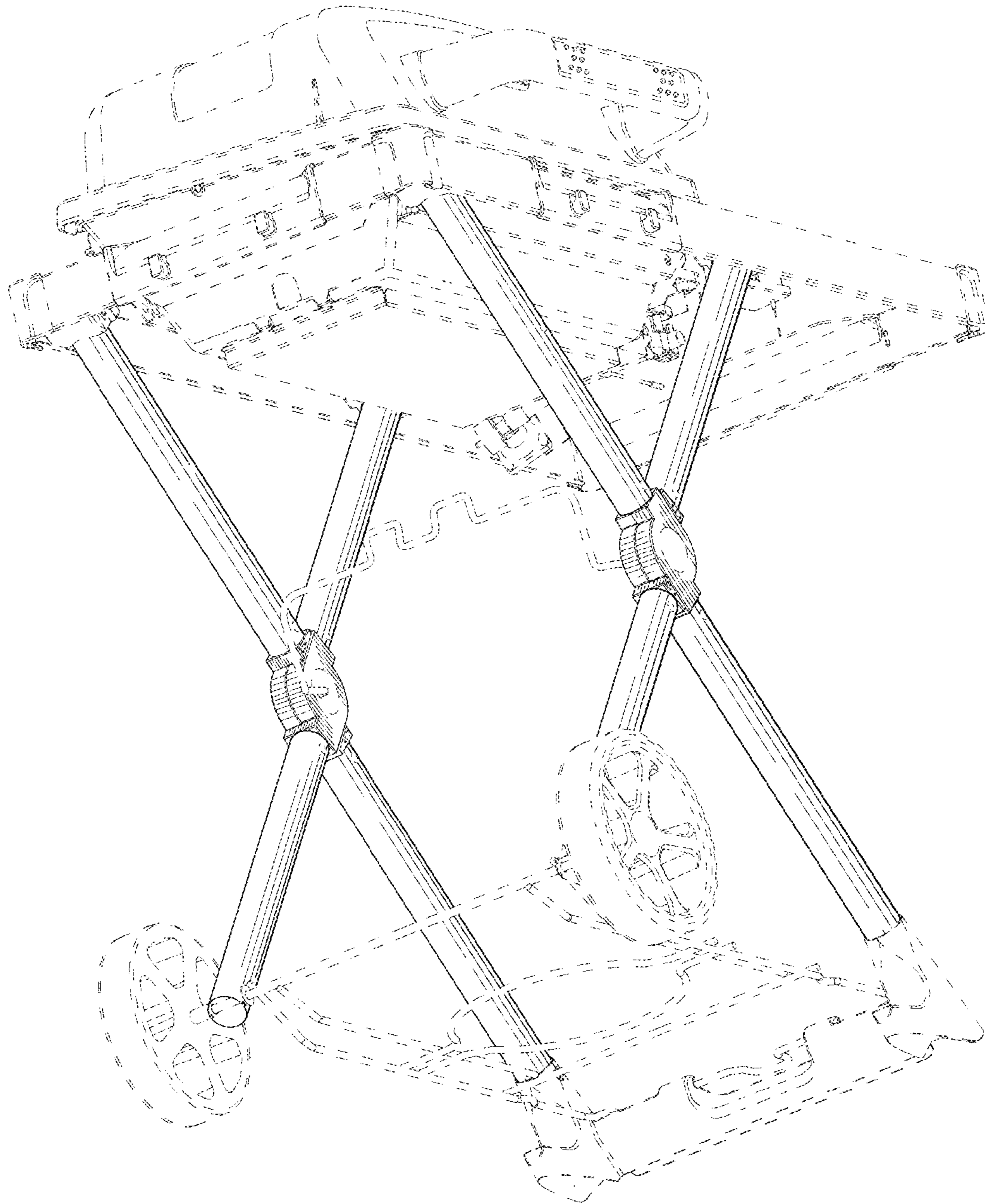


FIG.2



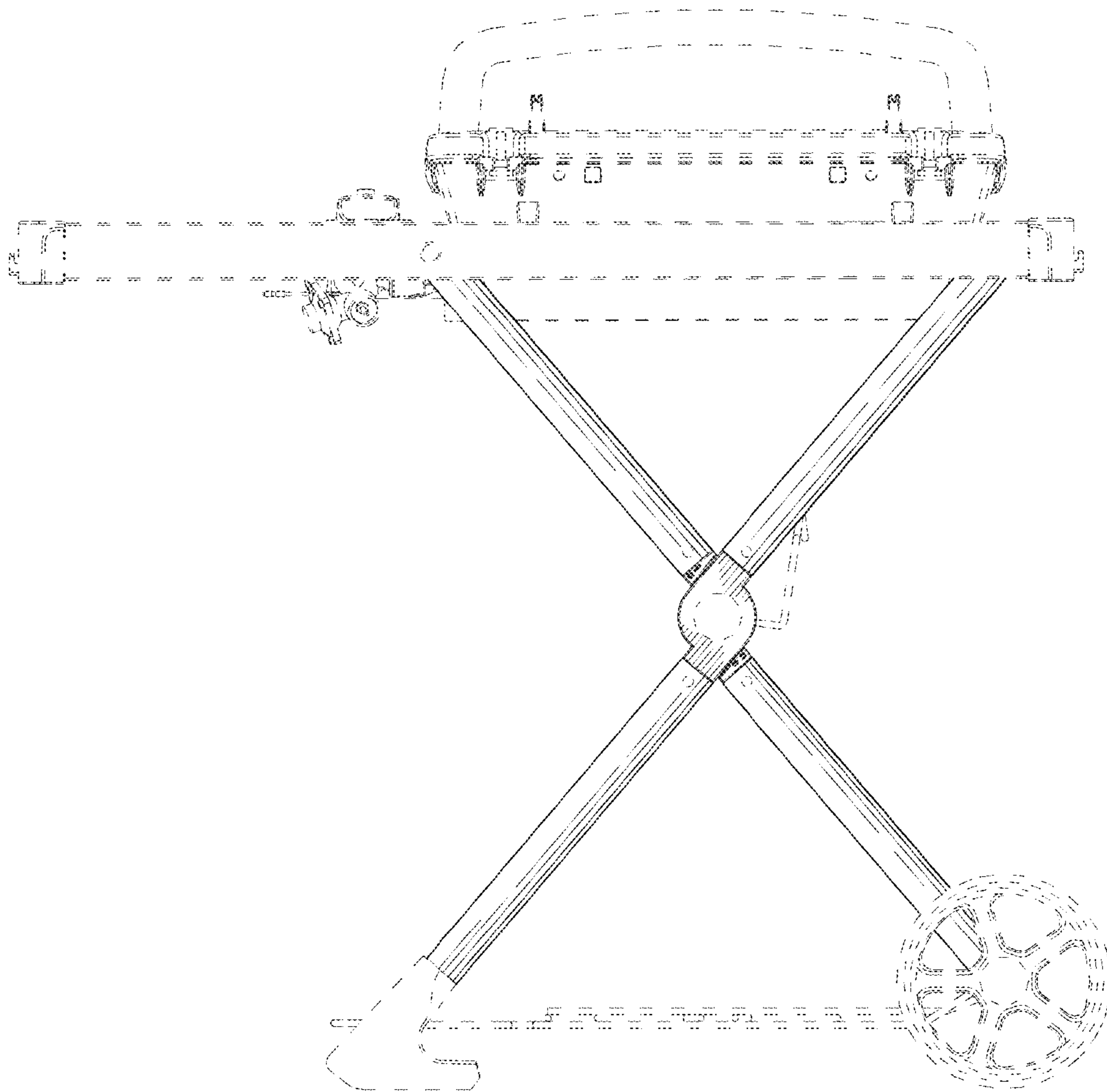


FIG.3

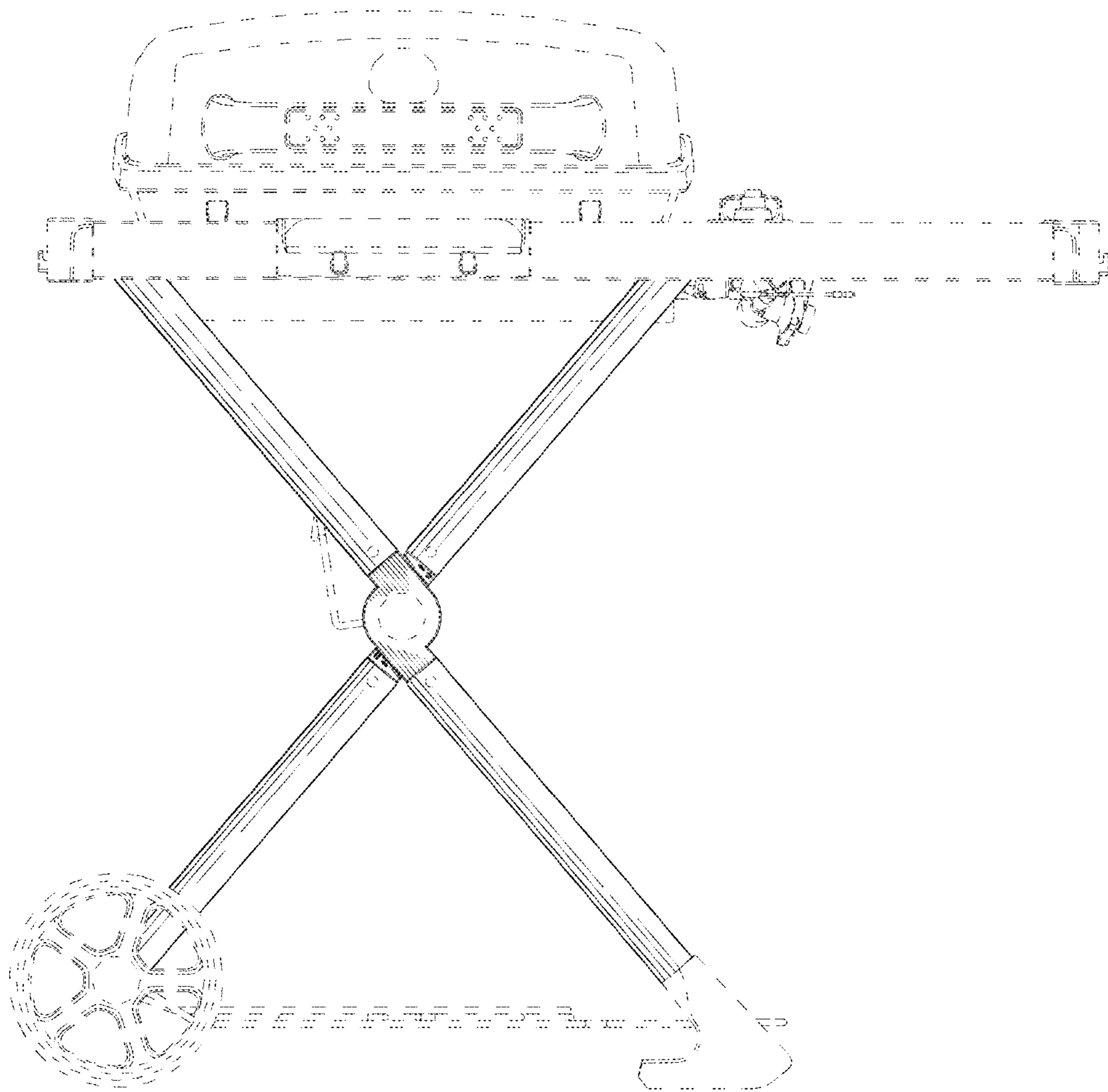


FIG.4

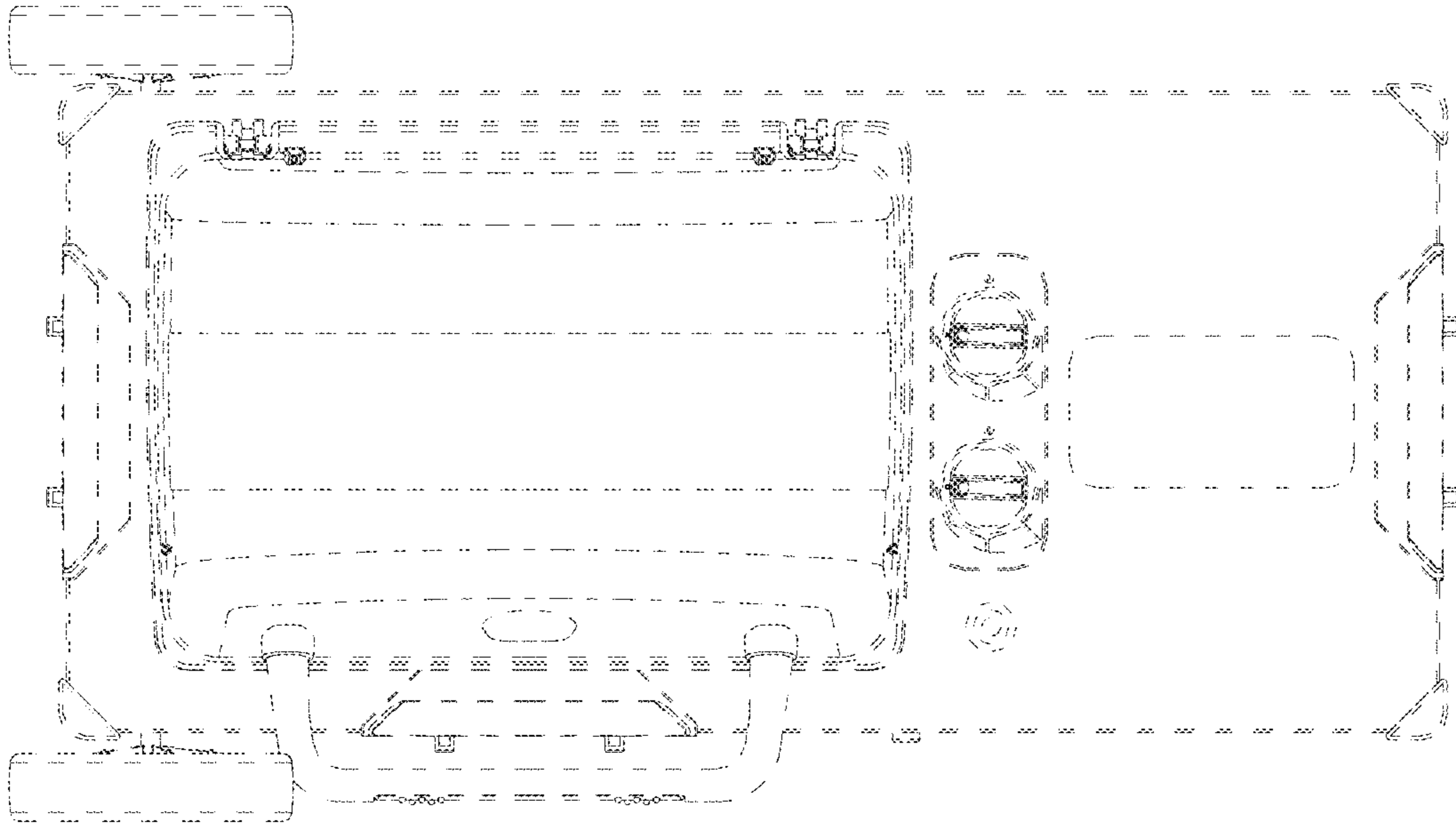


FIG.5

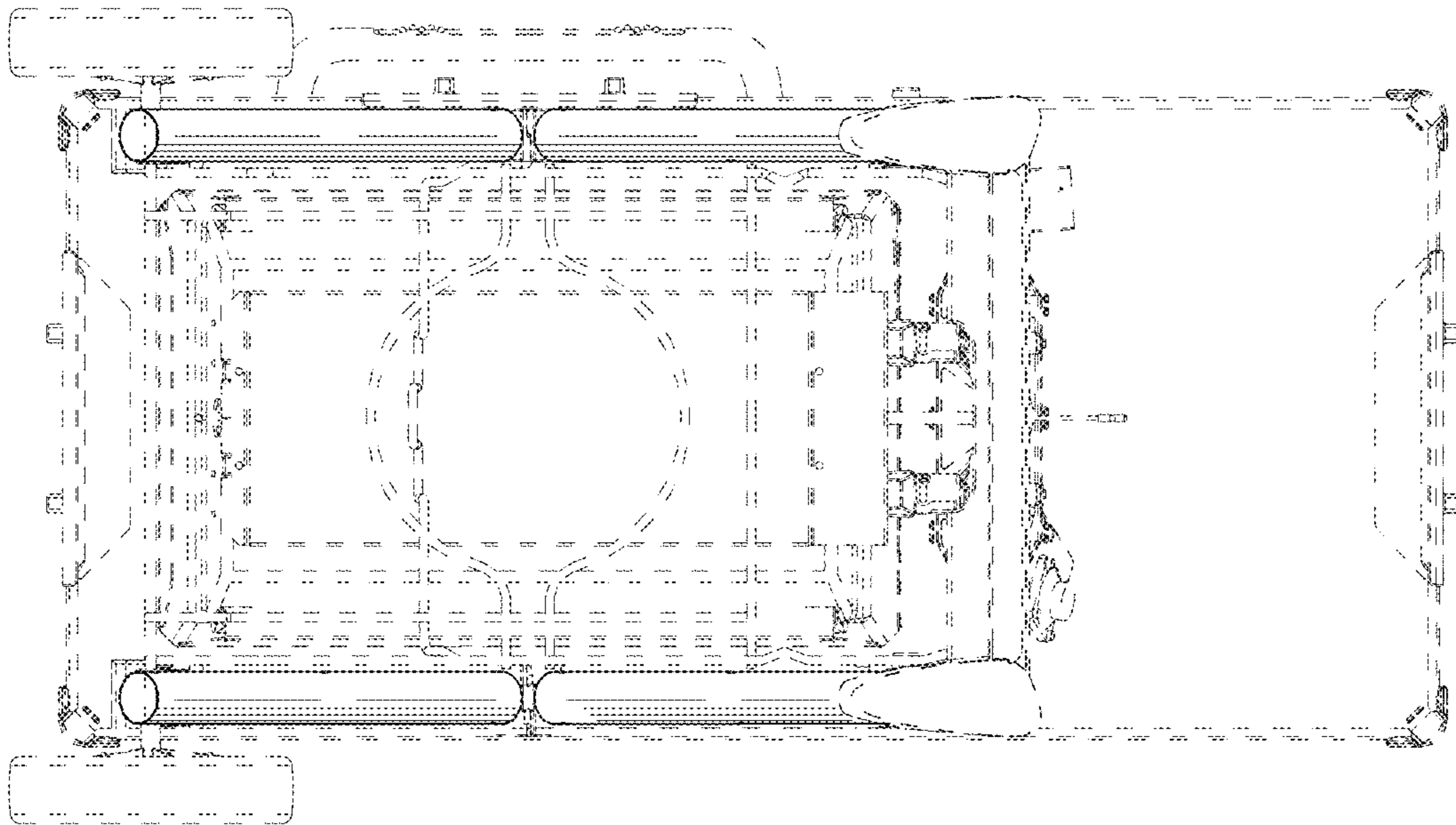


FIG.6

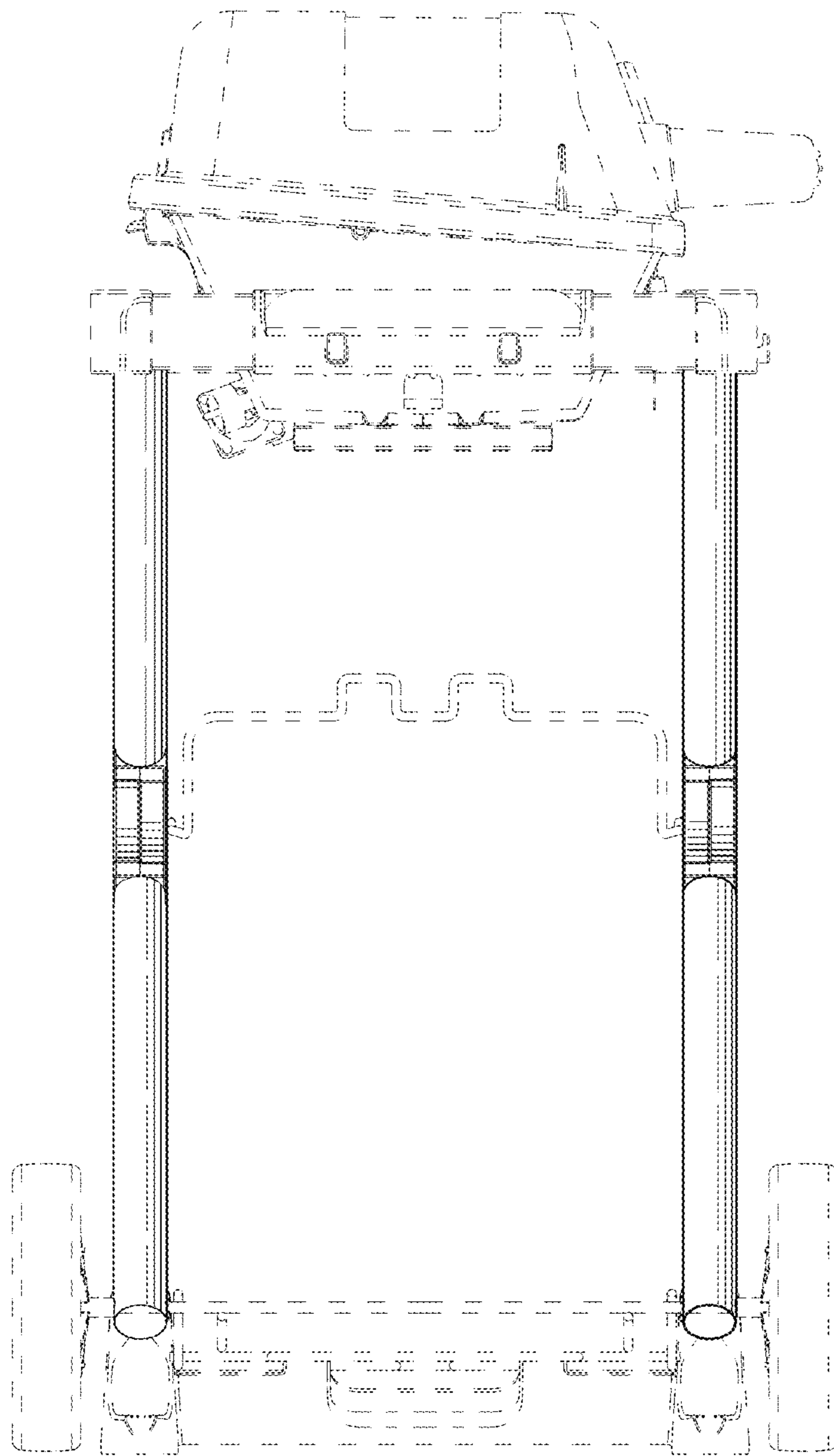


FIG. 7

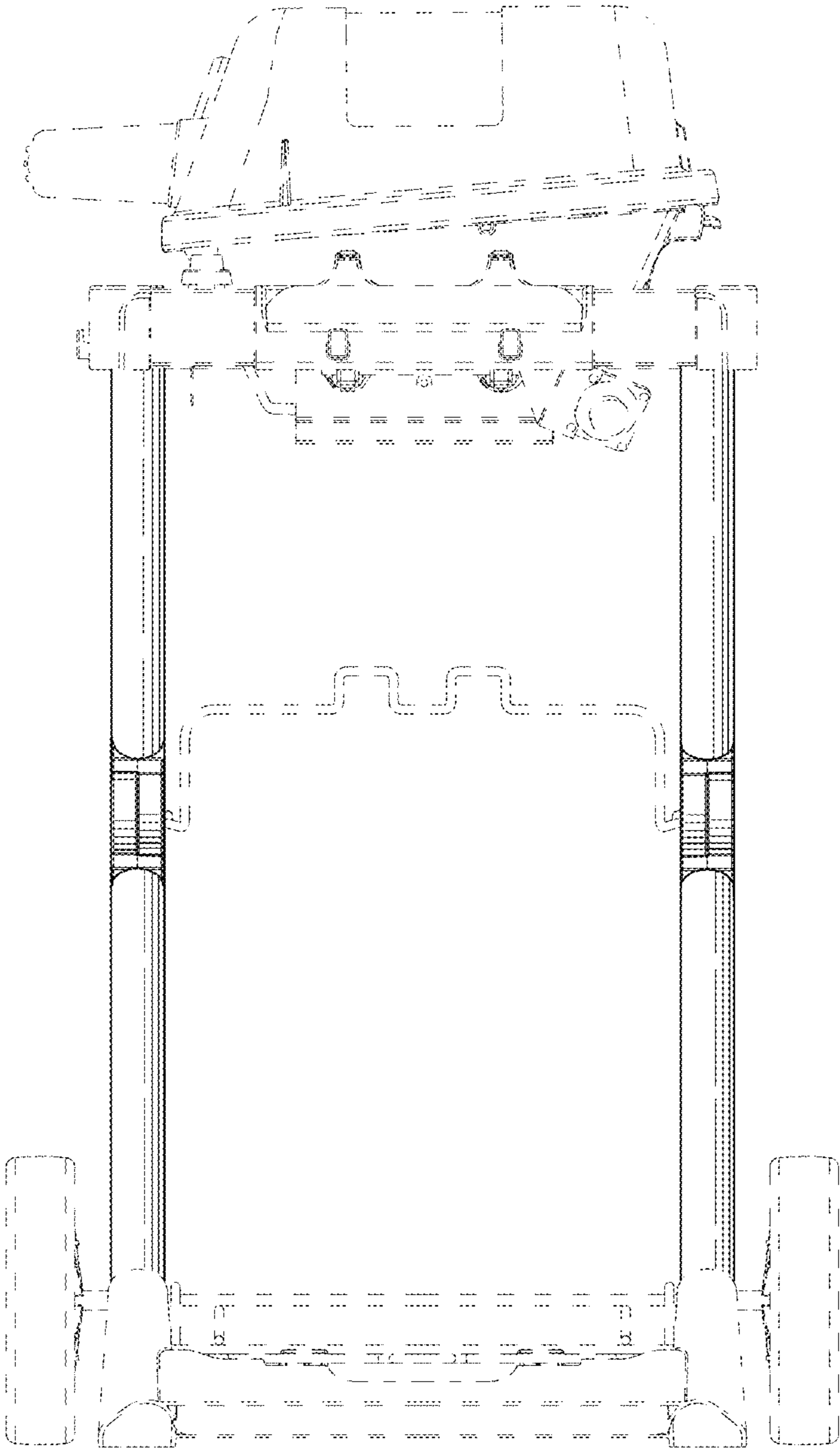


FIG.8