



US00D770222S

(12) **United States Design Patent**
Boroski et al.

(10) **Patent No.:** **US D770,222 S**

(45) **Date of Patent:** **** Nov. 1, 2016**

(54) **LID**

(71) Applicants: **Dwayne Boroski**, Lake in the Hills, IL (US); **Marvin Lane**, Wheeling, IL (US)

(72) Inventors: **Dwayne Boroski**, Lake in the Hills, IL (US); **Marvin Lane**, Wheeling, IL (US)

(73) Assignee: **THERMOS L.L.C.**, Schaumburg (IL)

(**) Term: **14 Years**

(21) Appl. No.: **29/523,347**

(22) Filed: **Apr. 8, 2015**

(51) **LOC (10) Cl.** **07-01**

(52) **U.S. Cl.**

USPC **D7/392.1**; D7/396.2; D9/449

(58) **Field of Classification Search**

USPC D7/507-512, 529-532, 533, 536, 213, D7/392.1, 396.1, 396.2, 396.4, 900, 608; D9/503, 504, 555, 568, 554, 567, 904, D9/453, 442, 443, 773, 434, 435, 440, 444, D9/447, 449, 526, 552, 571; D3/202; D24/197, 122; 220/592.16, 592.17, 220/592.27; 215/381-384

CPC B65D 23/00; B65D 47/066; B65D 41/04; B65D 41/0414; B65D 47/08; A45F 3/16

See application file for complete search history.

(56) **References Cited**

U.S. PATENT DOCUMENTS

D538,110 S * 3/2007 Kitamura D7/608
D590,661 S * 4/2009 Kitamura D7/510

RE42,484 E * 6/2011 Kitamura D7/510
D655,580 S * 3/2012 Kotani D7/608
D655,581 S * 3/2012 Kotani D7/608
D686,871 S * 7/2013 Lane D7/392.1
D702,505 S * 4/2014 Nakatani D7/605
D710,653 S * 8/2014 Goto D7/608
D715,098 S * 10/2014 Johnson D7/396.2
D739,183 S * 9/2015 Lane D7/605
D744,290 S * 12/2015 Endo D7/608
D747,918 S * 1/2016 Herbst D7/392.1
D748,949 S * 2/2016 Long, Sr. D7/510

* cited by examiner

Primary Examiner — Marianne Pandozzi

Assistant Examiner — Jae Liang

(74) *Attorney, Agent, or Firm* — Polsinelli PC

(57) **CLAIM**

The ornamental design for a lid, as shown and described.

DESCRIPTION

FIG. 1 is a perspective view of a lid;

FIG. 2 is a front view of the lid;

FIG. 3 is a rear view of the lid;

FIG. 4 is a left side view of the lid;

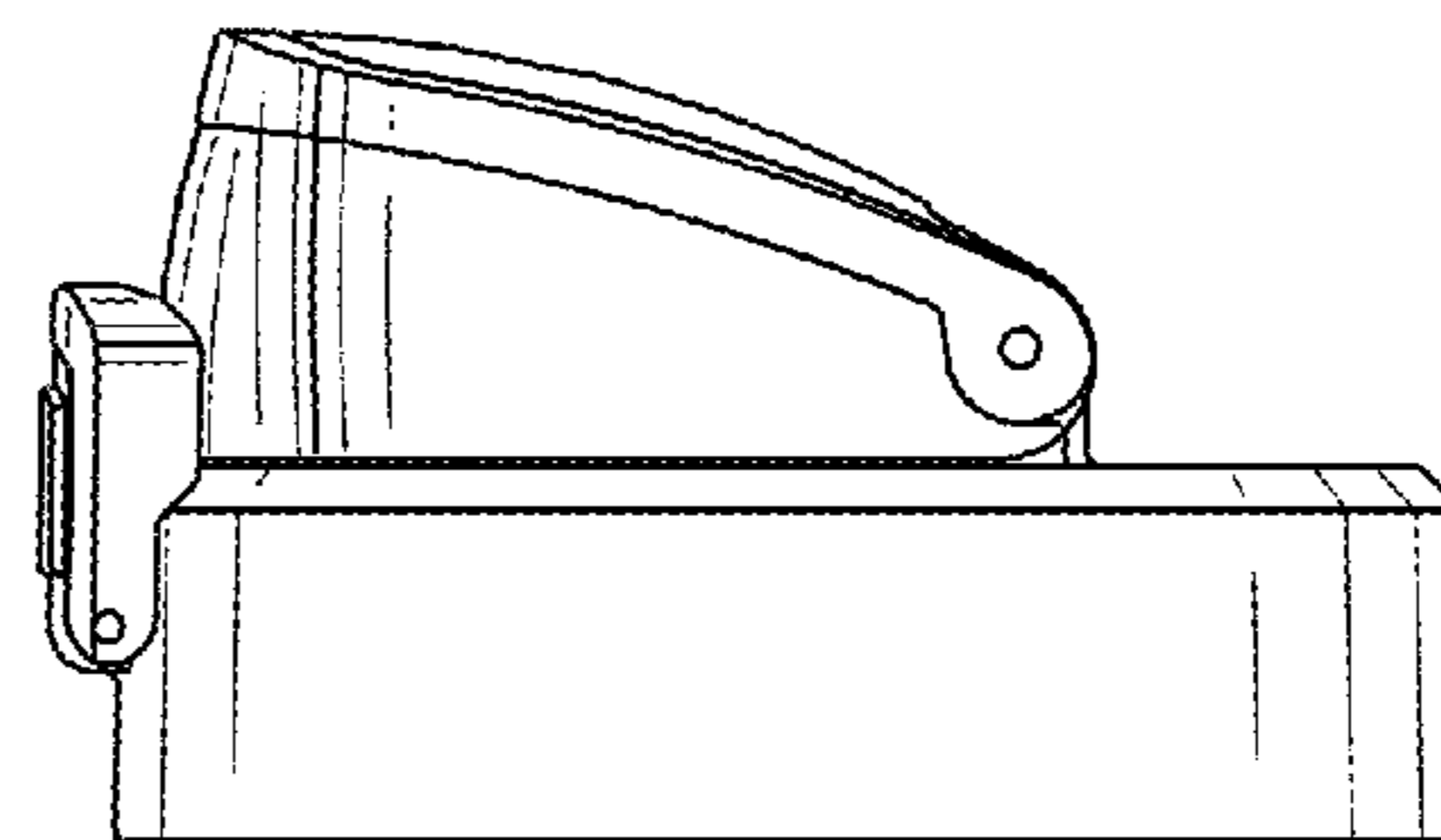
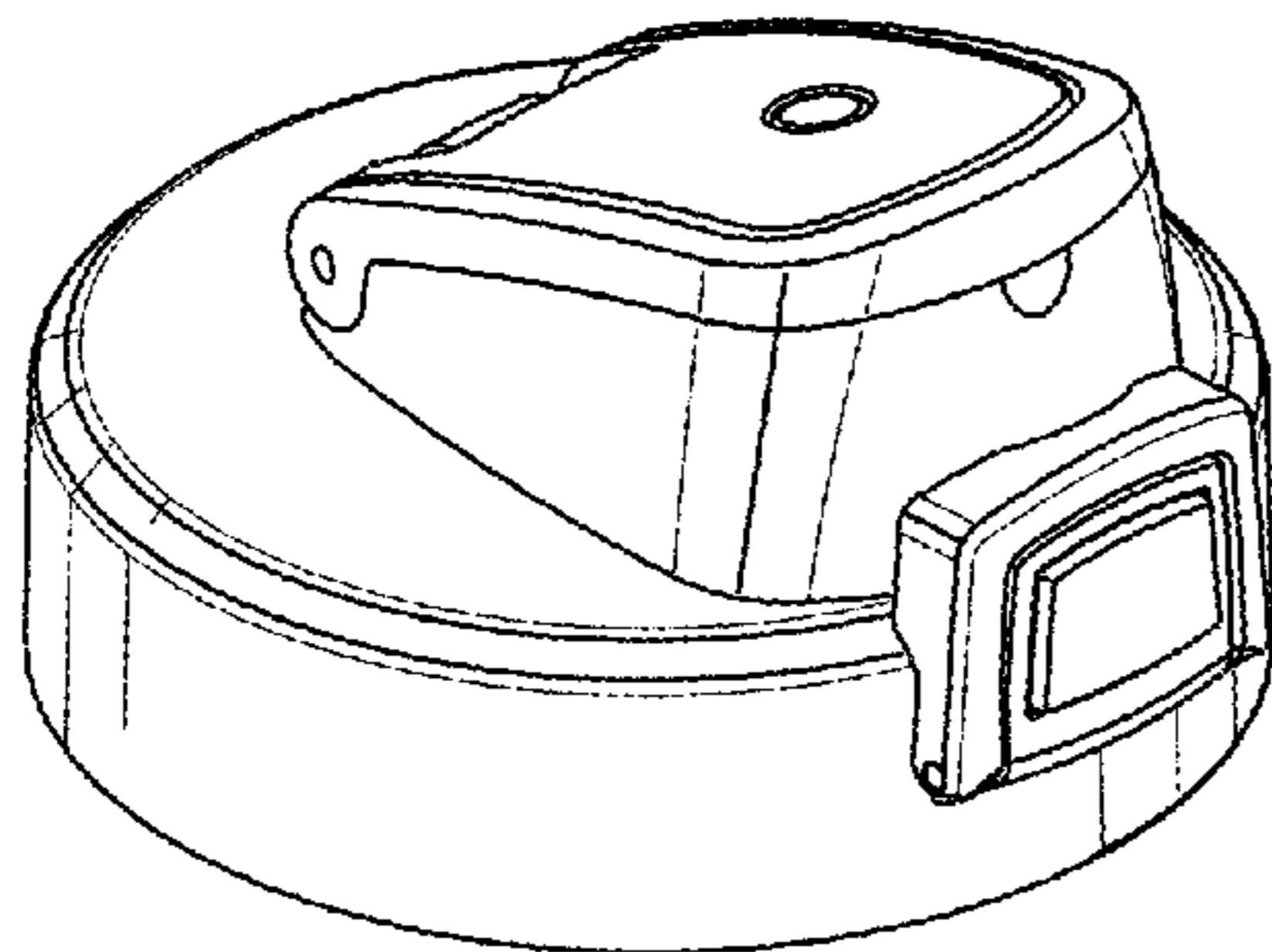
FIG. 5 is a right side view of the lid;

FIG. 6 is a top view of the lid; and,

FIG. 7 is a bottom view of the lid.

The broken lines in the drawing depict portions of the lid that form no part of the claimed design.

1 Claim, 2 Drawing Sheets



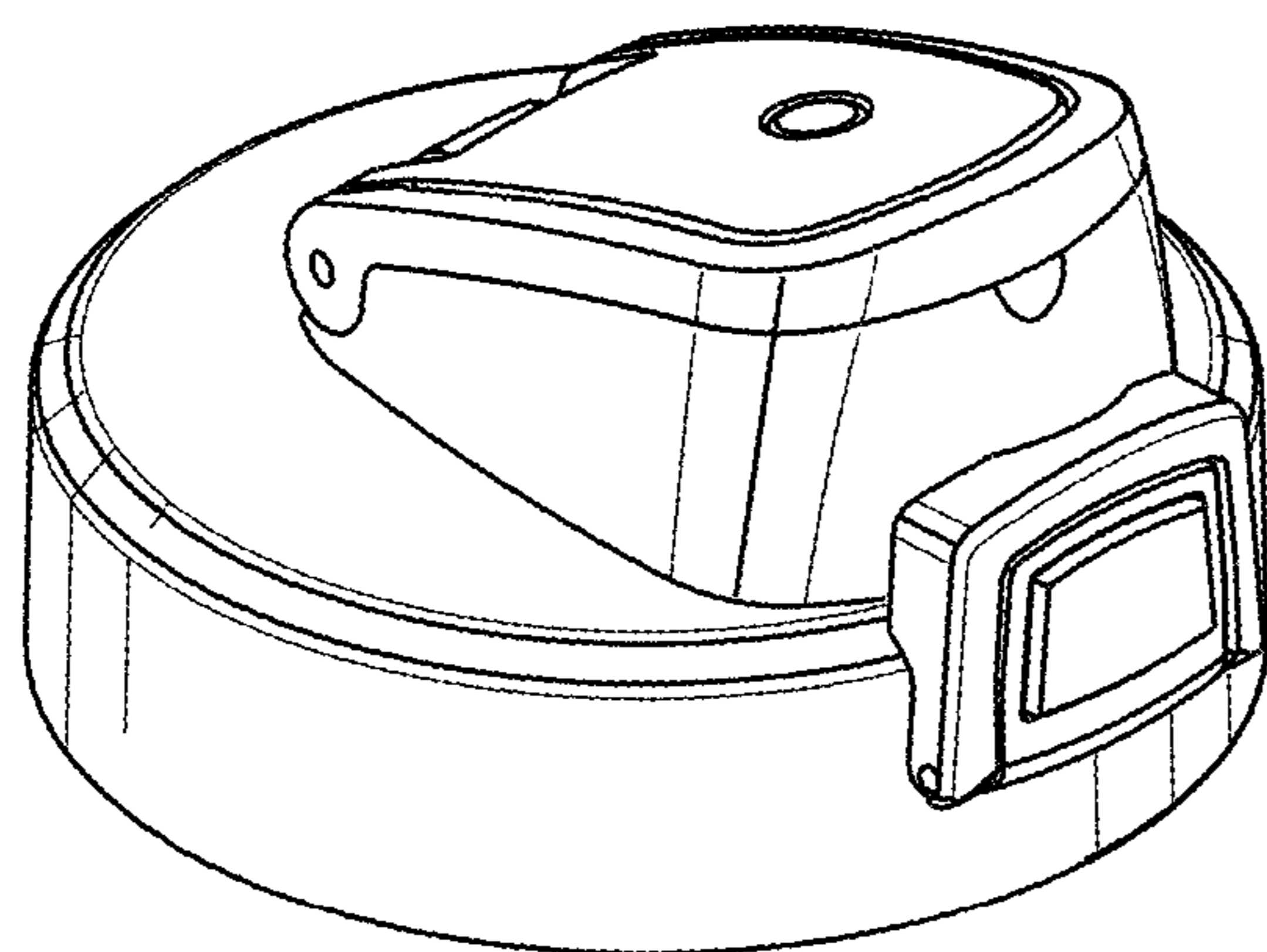


FIG. 1

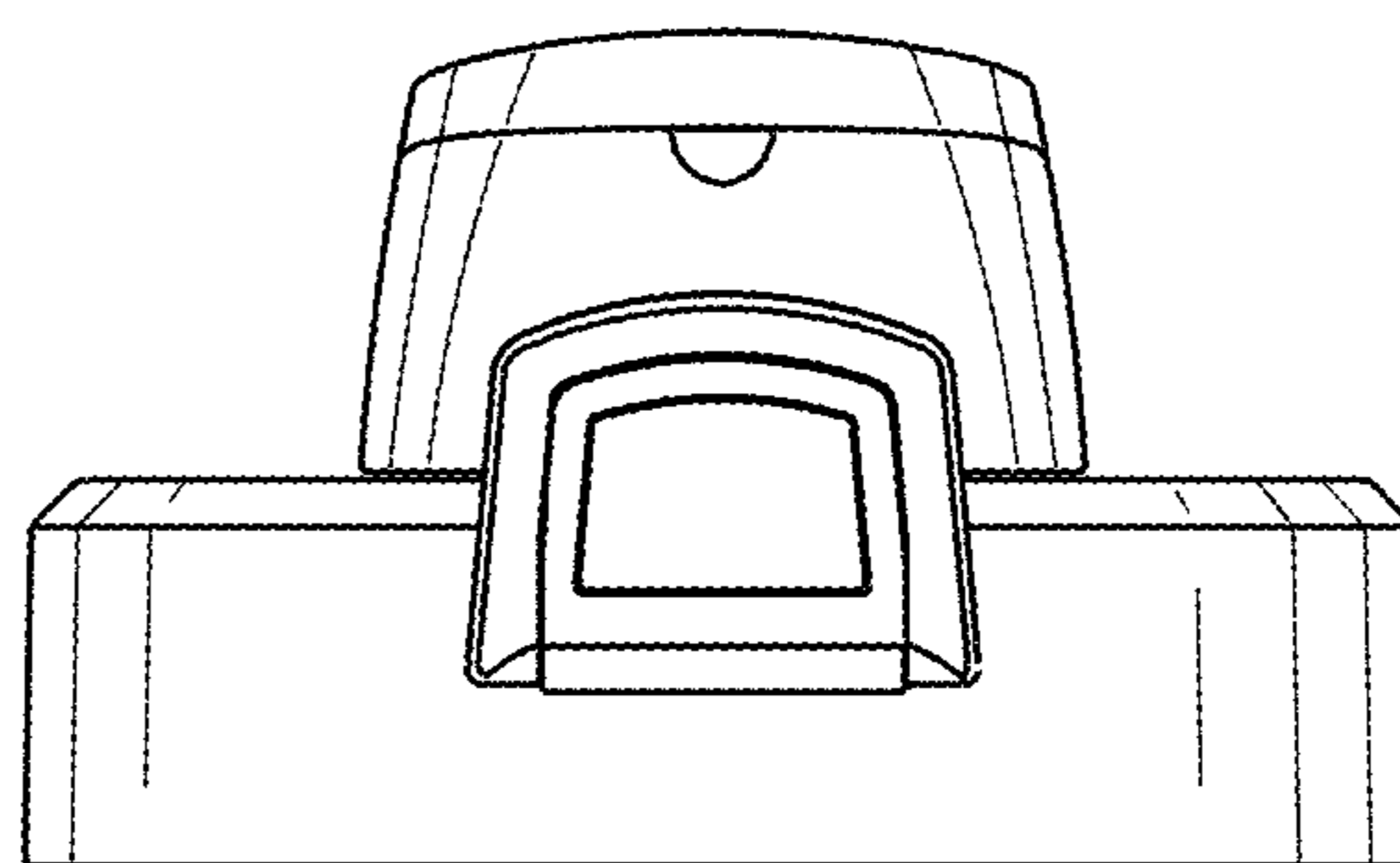


FIG. 2

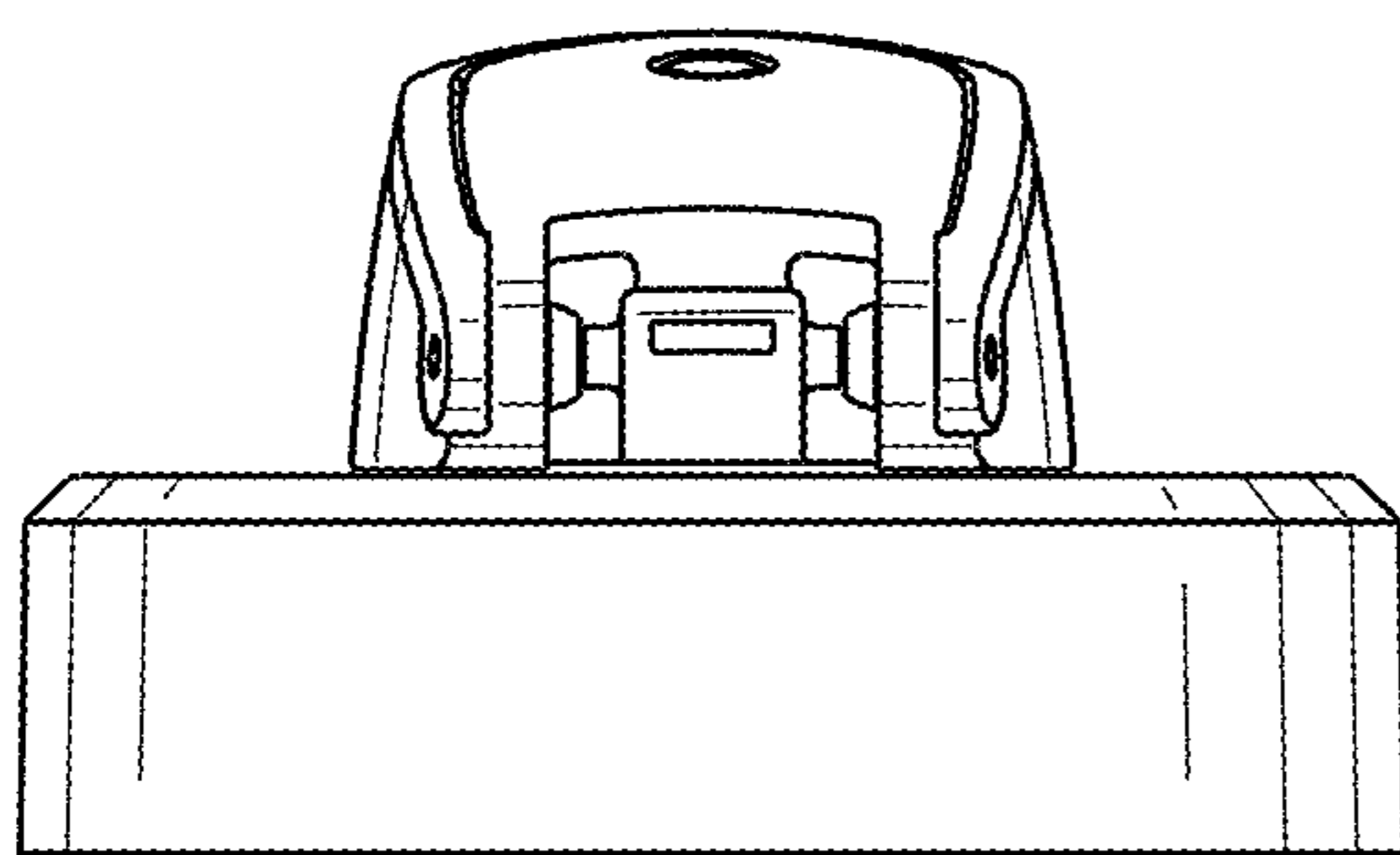


FIG. 3

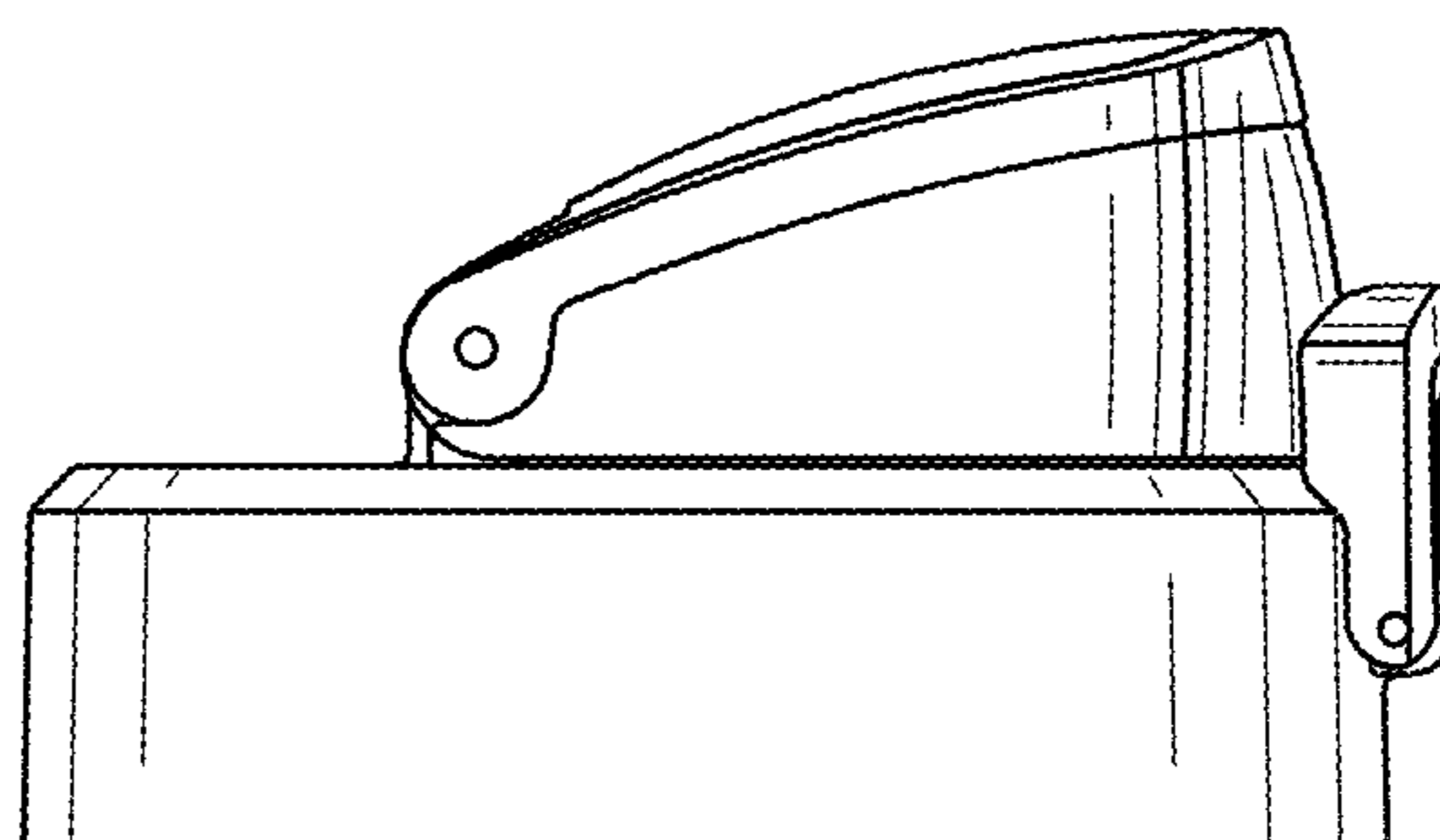


FIG. 4

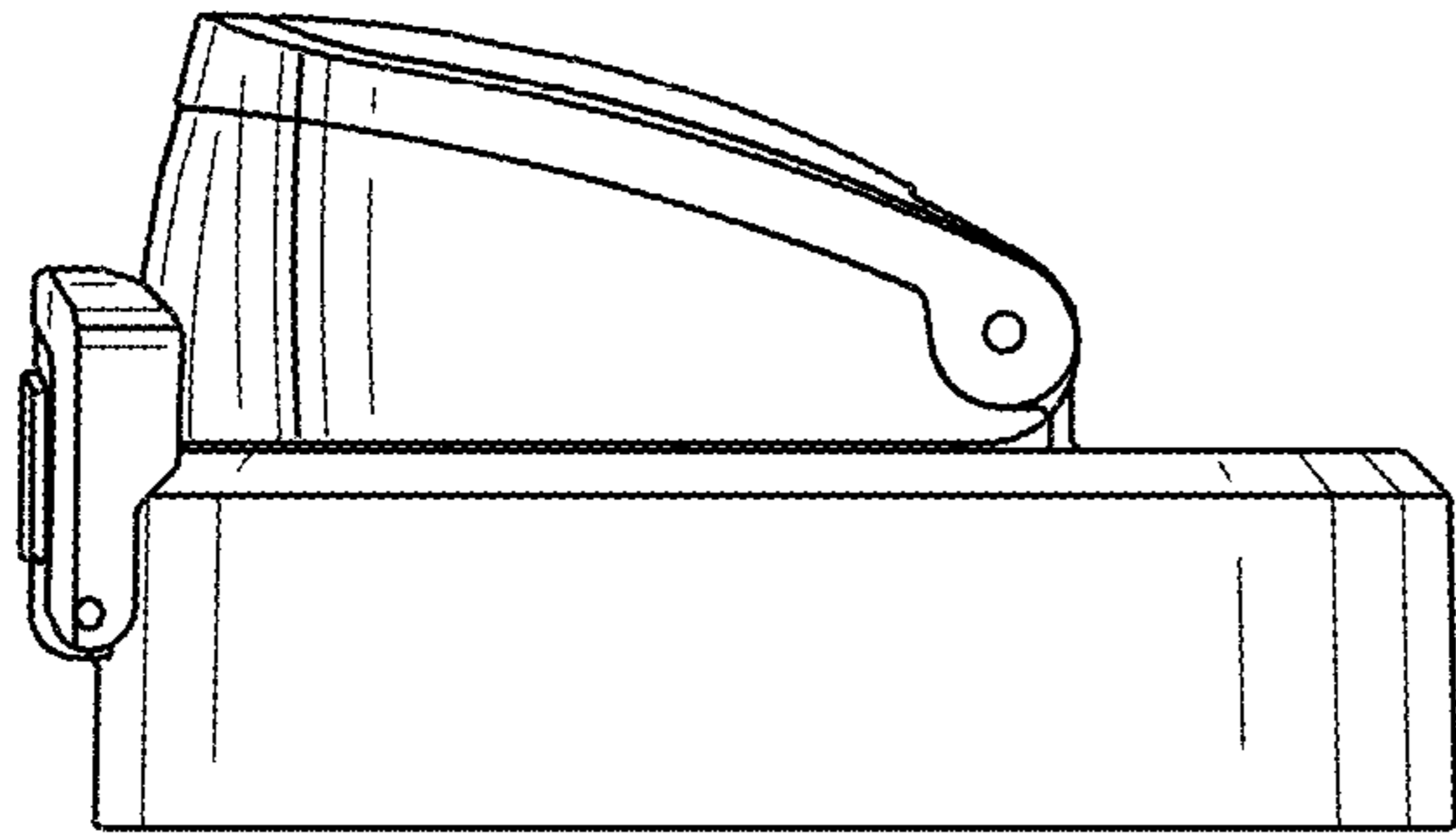


FIG. 5

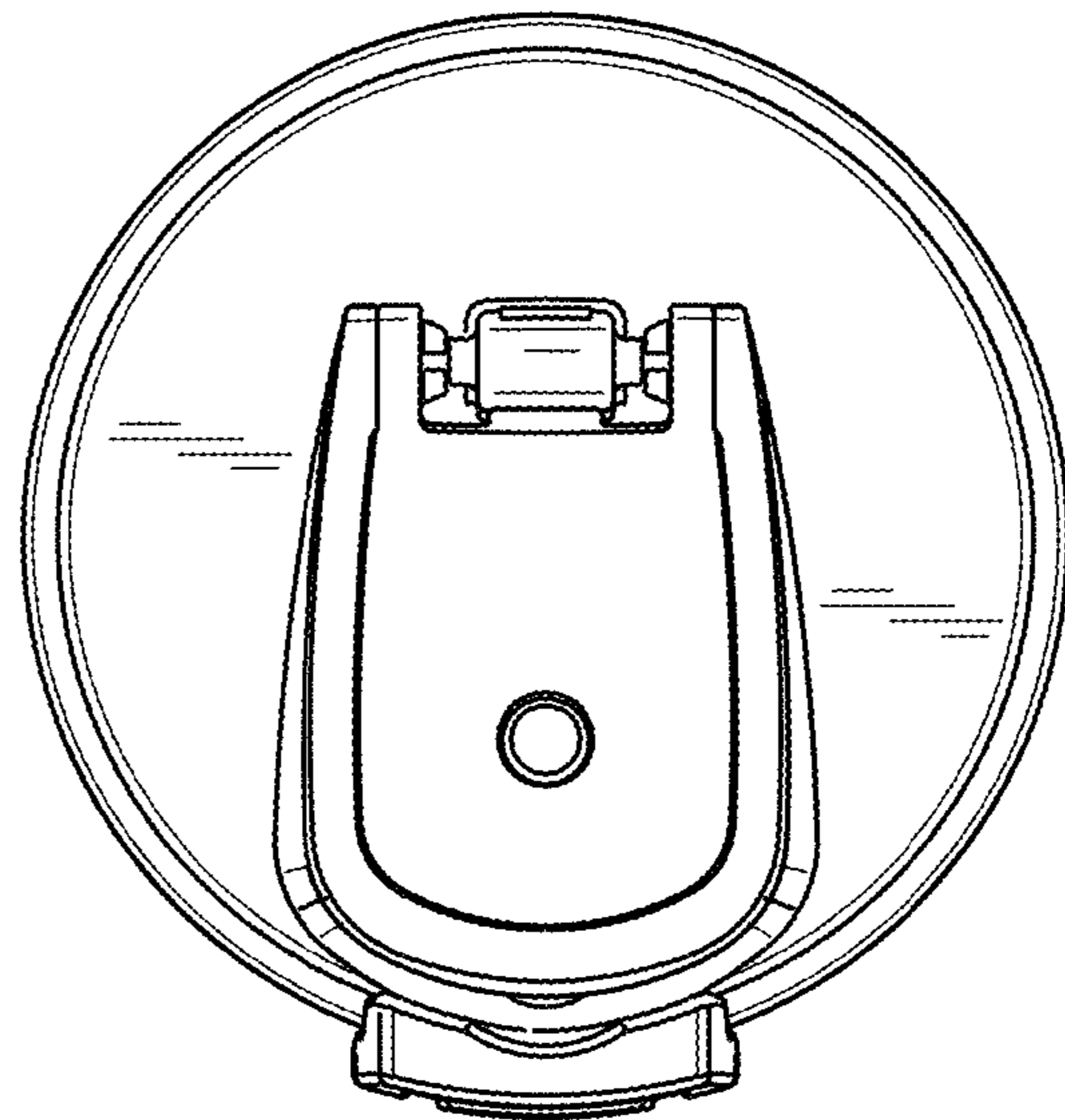


FIG. 6

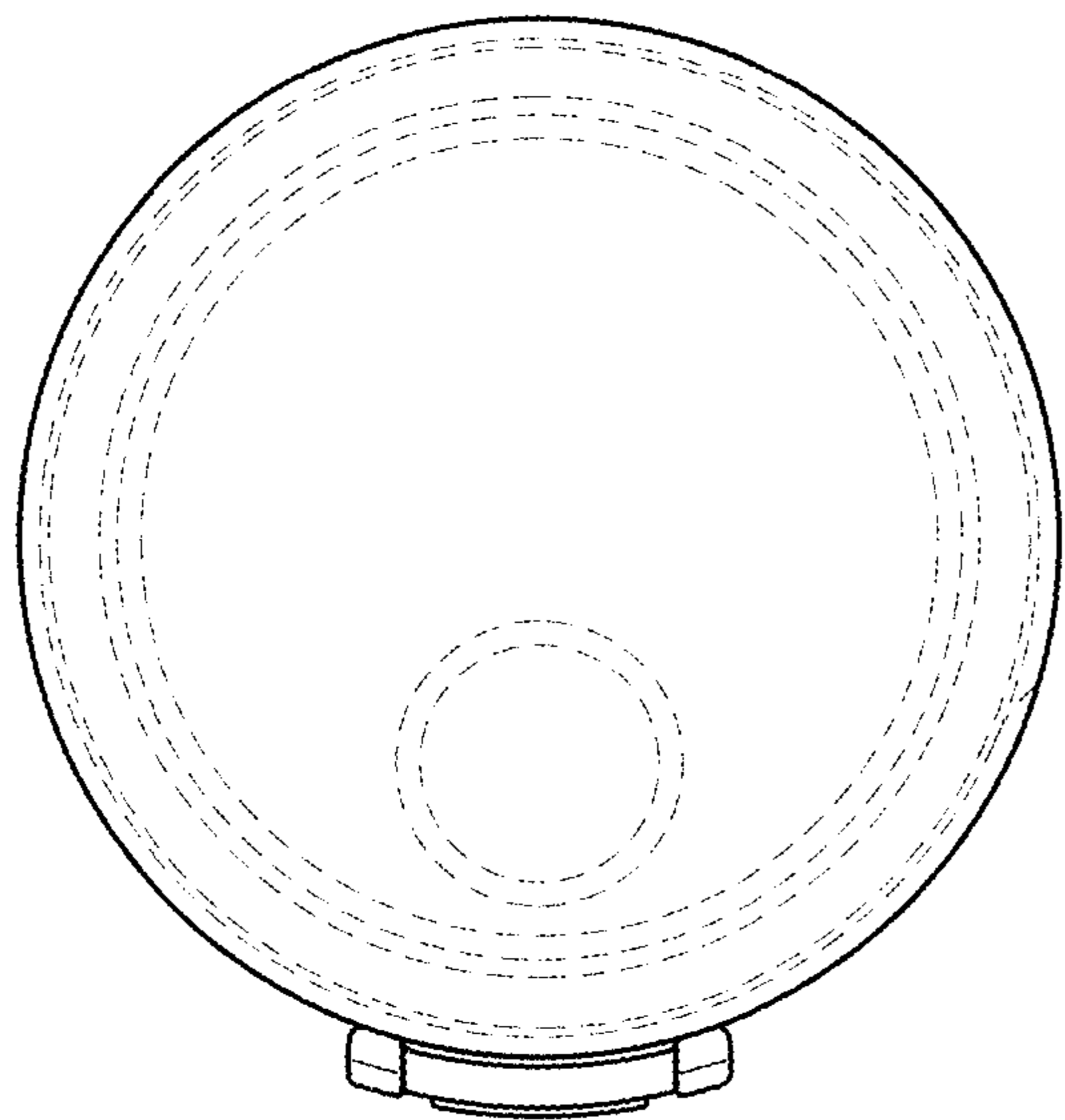


FIG. 7