



US00D770216S

(12) **United States Design Patent** (10) **Patent No.:** **US D770,216 S**
Yang (45) **Date of Patent:** **** Nov. 1, 2016**

(54) **KNIFE**
(71) Applicant: **Telebrands Corp.**, Fairfield, NJ (US)
(72) Inventor: **Jun Yang**, Ningbo (CN)
(73) Assignee: **Telebrands Corp.**, Fairfield, NJ (US)
(**) Term: **15 Years**
(21) Appl. No.: **29/527,955**
(22) Filed: **May 22, 2015**
(51) **LOC (10) Cl.** **07-03**
(52) **U.S. Cl.**
USPC **D7/349; D7/401.2**
(58) **Field of Classification Search**
USPC D7/368, 401.2, 642-645, 649-664, 669,
D7/675-677, 683, 688-689, 691; D8/20,
D8/99, 107, 300-301; D22/117-118
CPC A01B 1/20; A01B 1/22; A01D 9/02;
A01D 9/04; A01D 9/06; A47G 21/00;
A47G 21/004; A47G 21/005; A47G 21/02;
A47G 21/023; A47G 21/04; A47G 21/06;
A47G 21/08; A47J 43/28; A47J 43/281;
A47J 43/282; A61F 13/10; A61J 7/0023;
B25G 1/00; B25G 1/01; B25G 1/02; B25G
3/00; B26B 3/00; B26B 3/02; B26B 3/03;
B26B 9/00; B26B 9/02; B26B 11/00; B26B
11/006; B65D 75/56; B65D 75/563; B65D
75/566; B67B 7/00; B67B 7/724; B67B 7/73
See application file for complete search history.

(56) **References Cited**
U.S. PATENT DOCUMENTS
495,110 A * 4/1893 Hayes et al. B26B 9/02
30/355
2,279,833 A 4/1942 Madan
2,315,898 A * 4/1943 Krilow B26B 9/02
30/345
2,338,007 A * 12/1943 Morris B26B 9/02
30/345

D177,743 S 5/1956 Marx
2,803,876 A * 8/1957 Nelson B26B 9/00
30/115
D248,166 S 6/1978 Kanai
D248,167 S 6/1978 Kanai
D302,092 S 7/1989 Cohen et al.
D304,154 S 10/1989 Osterhout
D372,648 S 8/1996 Cohen et al.
D403,204 S 12/1998 Kwok
D439,806 S 4/2001 Juhlin et al.
D442,841 S 5/2001 Balolia
D464,539 S 10/2002 Richwine et al.
D468,973 S * 1/2003 Sun D7/650
D525,088 S 7/2006 Fort et al.
D545,637 S 7/2007 Curtin
D552,430 S * 10/2007 Chen D7/649

(Continued)

OTHER PUBLICATIONS

Ken Onion Rain Collection 8 Inch Chef's Knife, available at
www.amazon.com, accessed on Jan. 20, 2015.
(Continued)

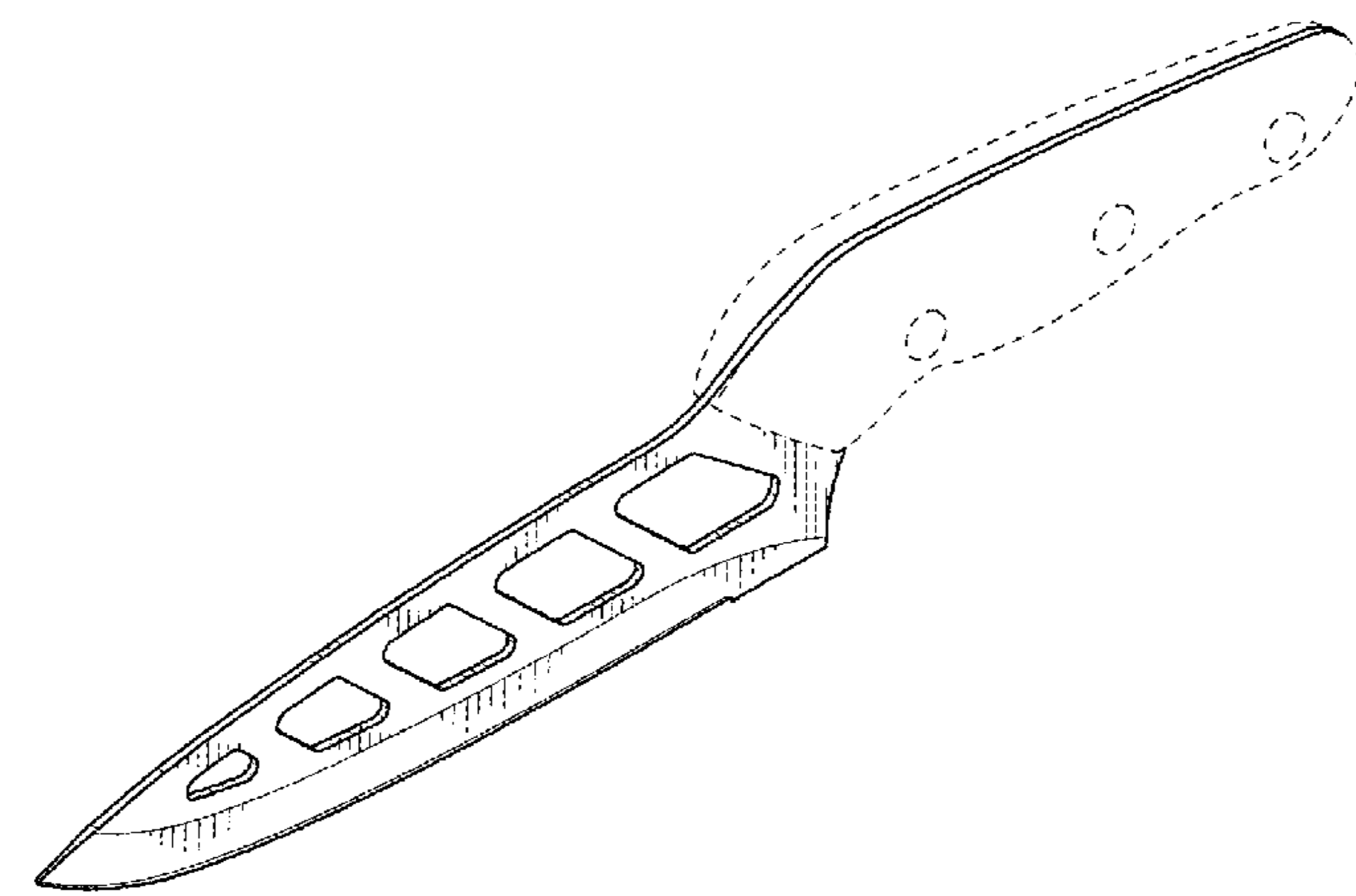
Primary Examiner — Ricky Pham
(74) *Attorney, Agent, or Firm* — Cooper & Dunham, LLP

(57) **CLAIM**
The ornamental design for a knife, as shown and described.

DESCRIPTION

FIG. 1 is a perspective view of a knife in accordance with
the present design;
FIG. 2 is a right side view thereof;
FIG. 3 is a left side view thereof;
FIG. 4 is a front view thereof;
FIG. 5 is a back view thereof;
FIG. 6 is a top view thereof; and,
FIG. 7 is a bottom view thereof.
The broken lines are for illustrative purposes only and form
no part of the claimed design. The shading represents
contour of the claimed design.

1 Claim, 5 Drawing Sheets



(56)

References Cited

U.S. PATENT DOCUMENTS

D554,949	S	11/2007	Hood	
D573,850	S	7/2008	Curtin	
D581,732	S	12/2008	Epstein	
D581,733	S	12/2008	Epstein	
D588,433	S *	3/2009	van Deursen	D8/99
D600,506	S	9/2009	Milner et al.	
D626,794	S	11/2010	Hollinger	
D626,795	S	11/2010	Hollinger	
D629,261	S	12/2010	Hollinger	
D639,833	S	6/2011	Inkster	
D643,256	S	8/2011	Hirai	
D643,257	S	8/2011	Hirai	
D643,261	S	8/2011	Spiegel	
D643,263	S	8/2011	Spiegel	
D677,998	S	3/2013	Kusanagi	
D678,367	S	3/2013	Inkster	
D686,049	S *	7/2013	Ji	D8/20
D692,731	S *	11/2013	Solari	D7/649
D693,186	S	11/2013	Hollinger	
D696,083	S *	12/2013	Hollinger	D7/649
D699,315	S	2/2014	Seeds et al.	
D701,093	S *	3/2014	Follmer	D7/649
D704,010	S	5/2014	Shahani	
D732,901	S	6/2015	Shahani	
9,126,324	B2 *	9/2015	Hunkele	B26B 3/03

OTHER PUBLICATIONS

Bob Kramer 8 Inch Damascus Chef's Knife, available at www.amazon.com, accessed on Jan. 20, 2015.

Wusthof Classic 8 Inch Bread Knife Serrated, available at www.metrokitchen.com, accessed on Jan. 20, 2015.
 Zwilling J.A. Henckels Twin Signature 5 Inch Utility Knife, available at www.bedbathandbeyond.com, accessed on Jan. 20, 2015.
 Zwilling J.A. Henckels International Fine Edge Pro 5 Inch Utility Knife, available at www.wayfair.com, accessed on Jan. 20, 2015.
 Shun Reserve 6' Serrated Utility Knife, available at www.williams-sonoma.com, accessed on Jan. 20, 2015.
 Mad Hungry 2-Piece AirBlade Knife Set with Sheaths, available at www.qvc.com, accessed on Jan. 15, 2015.
 Prodyne Multi-Use Knife, available at www.sears.com, accessed on Jan. 20, 2015.
 Pro-Touch 6 Inch Knife, available at www.messermeister.com, accessed on Jan. 20, 2015.
 Dexter-Russell 40013 Duo-Glide Knife, available at www.webstaurantstore.com, accessed on Jan. 20, 2015.
 Classic Non-Stick Knife, available at www.cuisinartwebstore.com, accessed on Jan. 20, 2015.
 Mercer Millennia Santoku Knife, available at www.webstaurantstore.com, accessed on Jan. 20, 2015.
 Miyabi Evolution Chef's Knives, available at www.surlatable.com, accessed on Jan. 20, 2015.
 Bob Kramer Essential Collection Chef's Knives, available at www.surlatable.com, accessed on Jan. 20, 2015.
 Spyderco: Byrd Cara Folding Knife, available at www.knifecenter.com, accessed on Jan. 20, 2015.
 Yoshihiro Cutlery Hammered Damascus Petty Chef Knife, available at www.amazon.com, accessed on Jan. 20, 2015.

* cited by examiner

FIG. 1

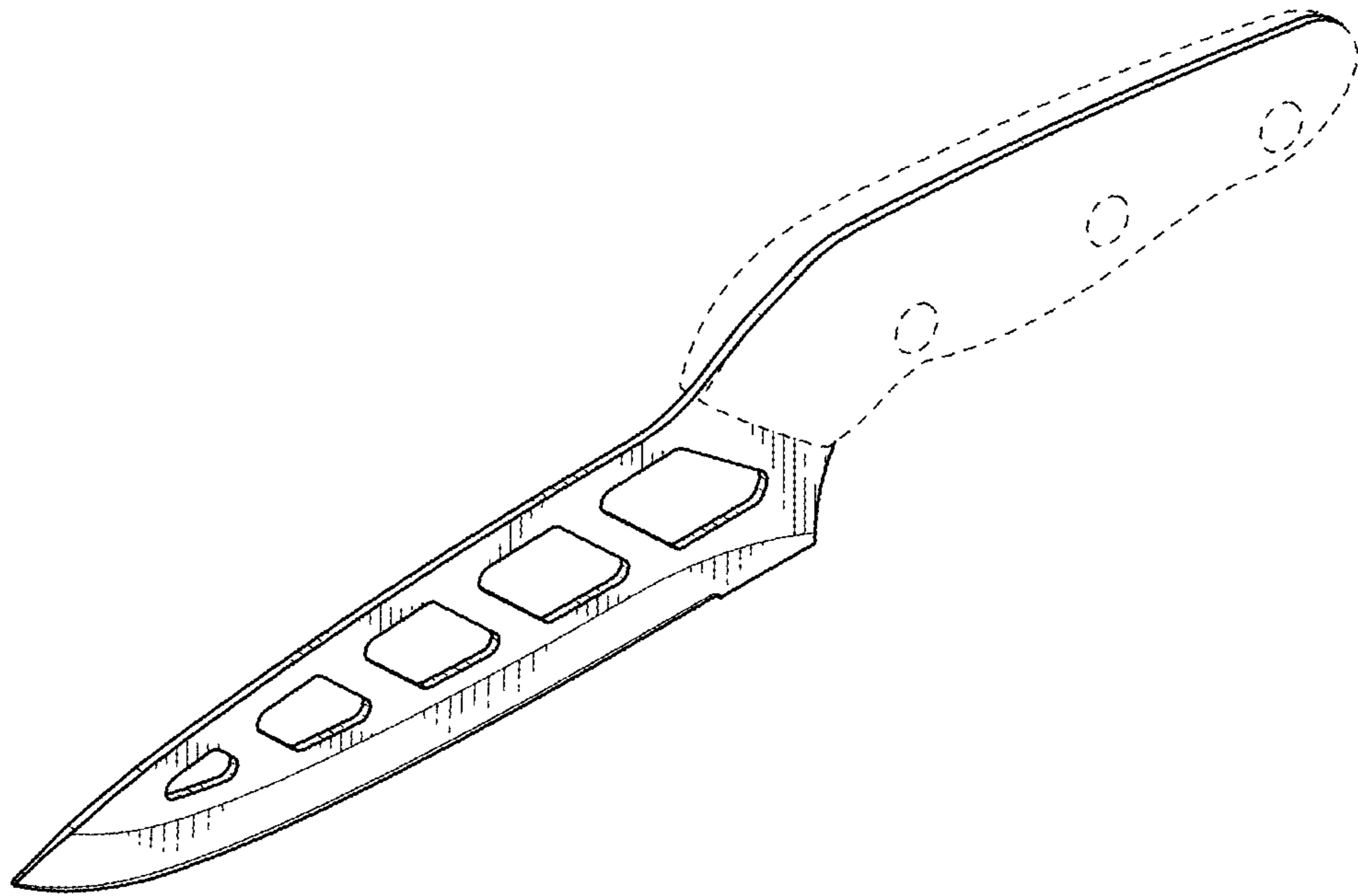


FIG. 2

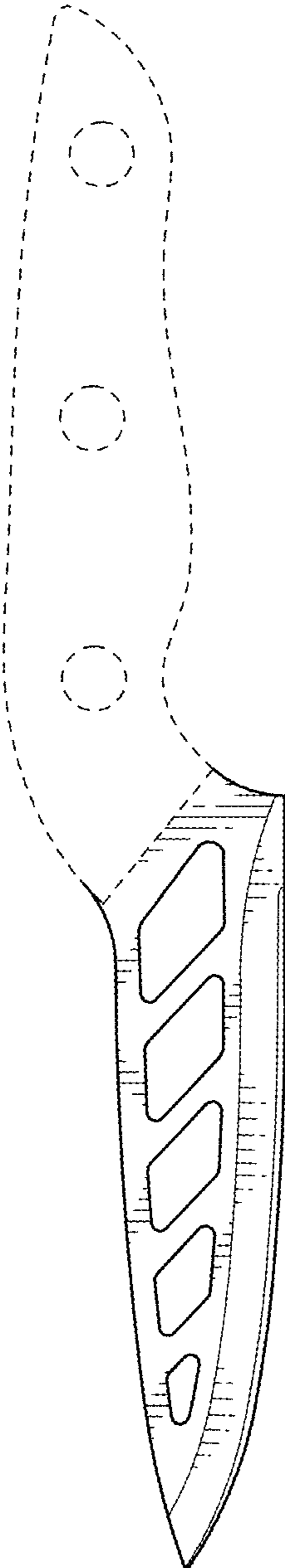


FIG. 3

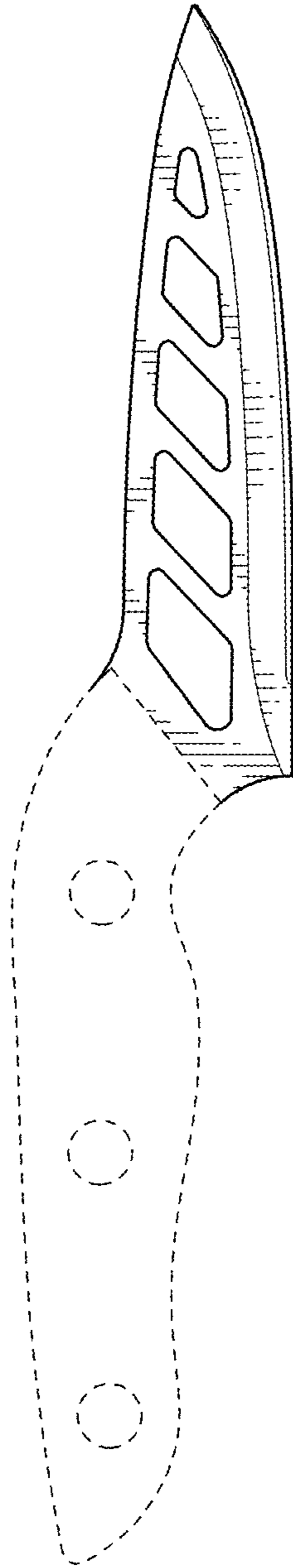


FIG. 4

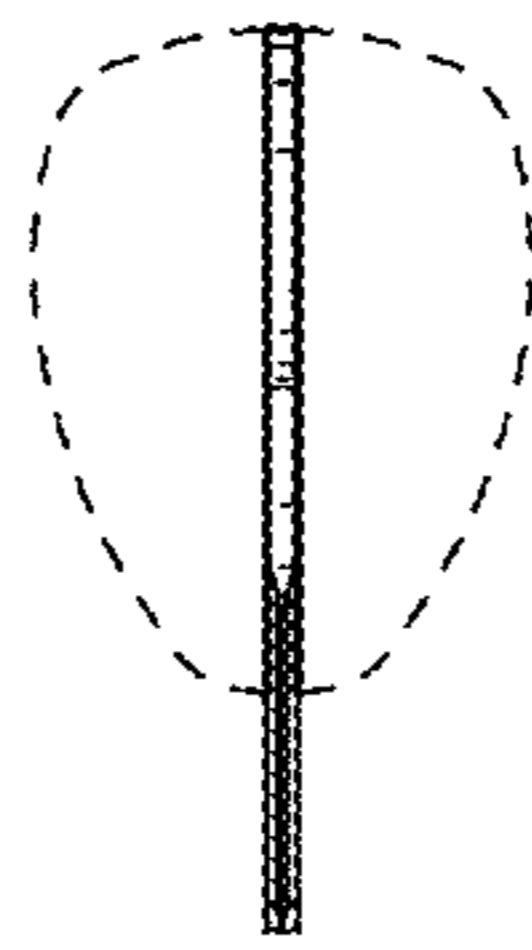


FIG. 5

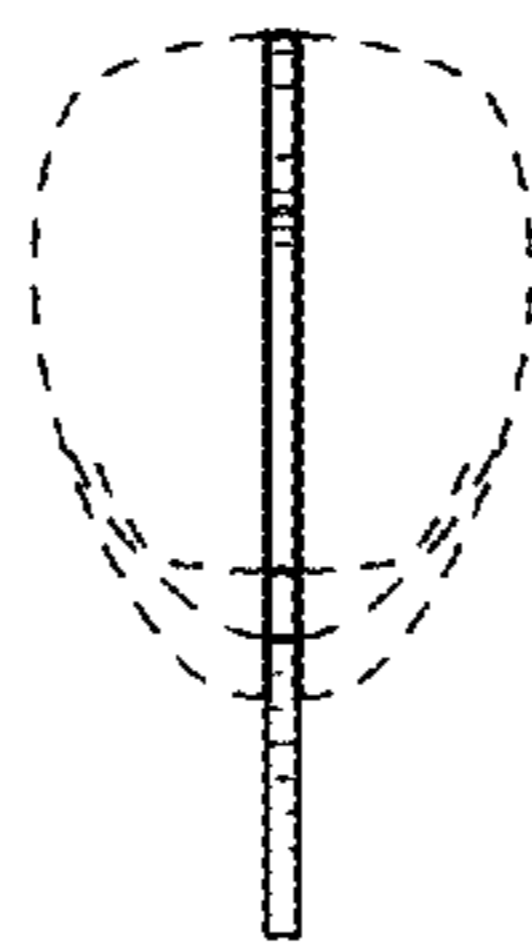


FIG. 6

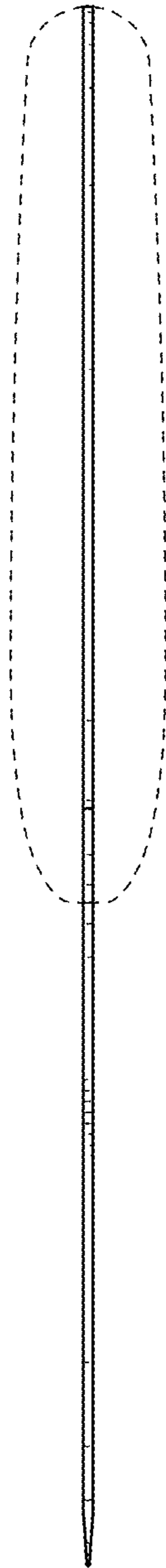


FIG. 7

