



US00D770215S

(12) **United States Design Patent**
Vu et al.

(10) **Patent No.:** **US D770,215 S**
(45) **Date of Patent:** **** Nov. 1, 2016**

(54) **COFFEE MACHINE**
(71) Applicant: **De'Longhi Braun Household GmbH**,
Neu-Isenburg (DE)
(72) Inventors: **Duy Phong Vu**, Schwalbach am Taunus
(DE); **Sven Wuttig**, Griesheim (DE);
Dennis Müller, Frankfurt am Main
(DE); **Britta Stockinger**, Frankfurt am
Main (DE); **Markus Orthey**, Eltville
am Rhein (DE)
(73) Assignee: **DE'LONGHI BRAUN HOUSEHOLD**
GMBH, Neu-Isenburg (DE)

(**) Term: **14 Years**

(21) Appl. No.: **29/514,224**

(22) Filed: **Jan. 9, 2015**

(51) **LOC (10) Cl.** **07-01**

(52) **U.S. Cl.**
USPC **D7/310; D7/309; D7/311**

(58) **Field of Classification Search**
USPC D7/300, 306-311, 305, 355, 362, 365,
D7/367; 222/146.6, 185.1, 135; 99/295,
99/273, 304, 288, 279, 307, 283
CPC A47J 31/46; A47J 31/407; A47J 31/50;
A47J 31/18; A47J 31/00; A47J 27/04;
A47J 31/0573; A47J 31/52
See application file for complete search history.

(56) **References Cited**

U.S. PATENT DOCUMENTS

D235,816 S * 7/1975 Hill D7/308
D261,390 S * 10/1981 Harvill D7/307
4,748,901 A * 6/1988 Burmeister A47J 31/0573
99/295

D368,617 S * 4/1996 Jackson D7/306
D395,976 S * 7/1998 Seiffert D7/309
D510,675 S * 10/2005 Ball D7/306
D541,097 S * 4/2007 Leverrier D7/300
D553,416 S * 10/2007 Lin D7/306
D553,897 S * 10/2007 De'Longhi D7/309
D555,968 S * 11/2007 Pfeifer D7/306
D600,062 S * 9/2009 Lavy D7/309
D604,087 S * 11/2009 Lavy D7/309
D623,462 S * 9/2010 Ashbridge D7/306
D625,134 S * 10/2010 Moore D7/309
D628,007 S * 11/2010 Di Bitonto D7/309
D633,747 S * 3/2011 De Pra D7/309
D635,813 S * 4/2011 Moore D7/309
D645,289 S * 9/2011 Lenzi D7/309
D658,423 S * 5/2012 Curtis D7/306
D661,159 S * 6/2012 Curtis D7/397
D735,527 S * 8/2015 Palermo D7/309
D742,686 S * 11/2015 Kunz D7/309

* cited by examiner

Primary Examiner — Marianne Pandozzi

(74) *Attorney, Agent, or Firm* — Goodwin Procter LLP

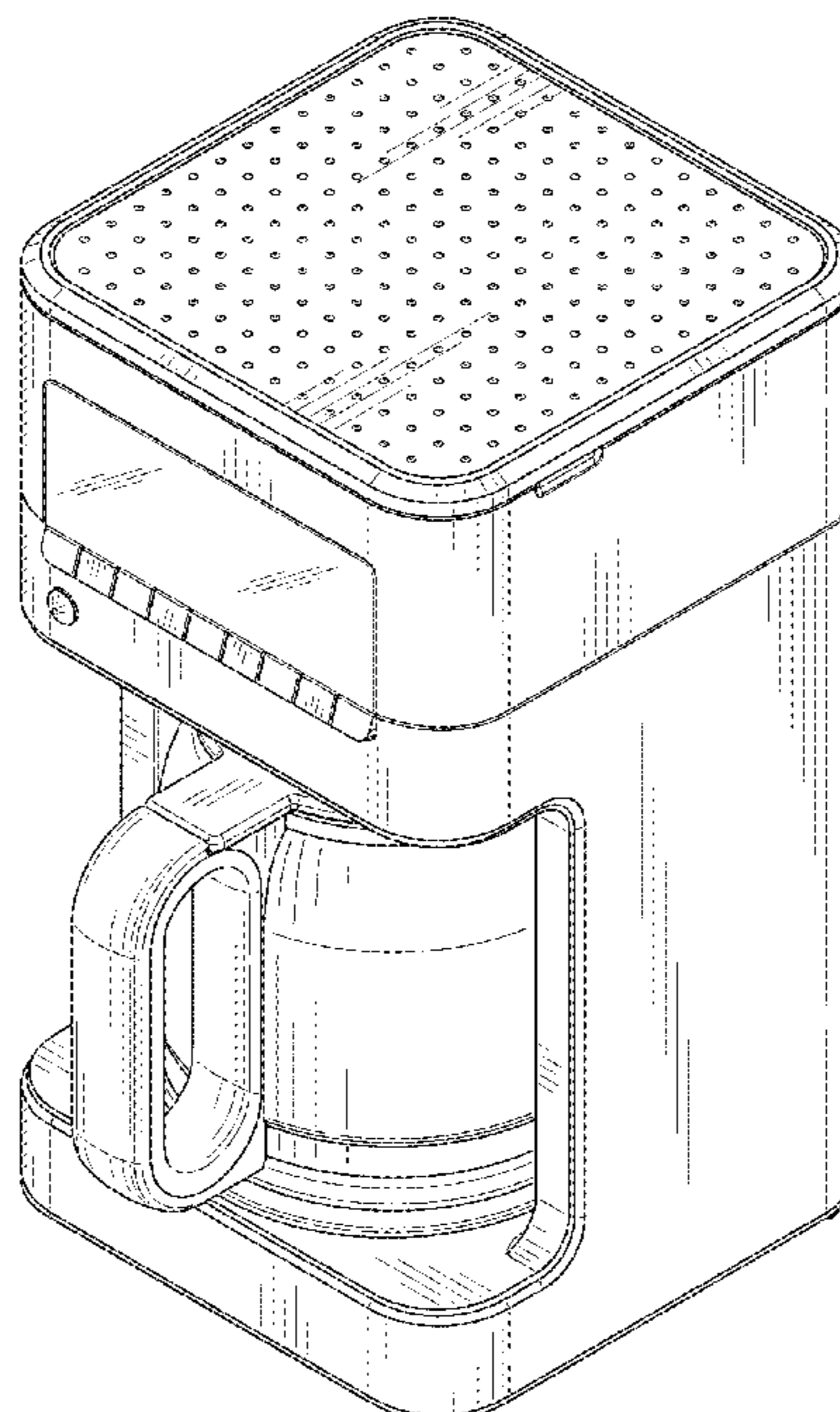
(57) **CLAIM**

The ornamental design for a coffee machine, as shown and described.

DESCRIPTION

FIG. 1 is a top perspective view of a coffee machine;
FIG. 2 is a front view of the coffee machine;
FIG. 3 is a rear view of the coffee machine;
FIG. 4 is a right side view of the coffee machine;
FIG. 5 is a left side view of the coffee machine;
FIG. 6 is a top view of the coffee machine;
FIG. 7 is a bottom view of the coffee machine; and,
FIG. 8 is a bottom perspective view of the coffee machine.

1 Claim, 7 Drawing Sheets



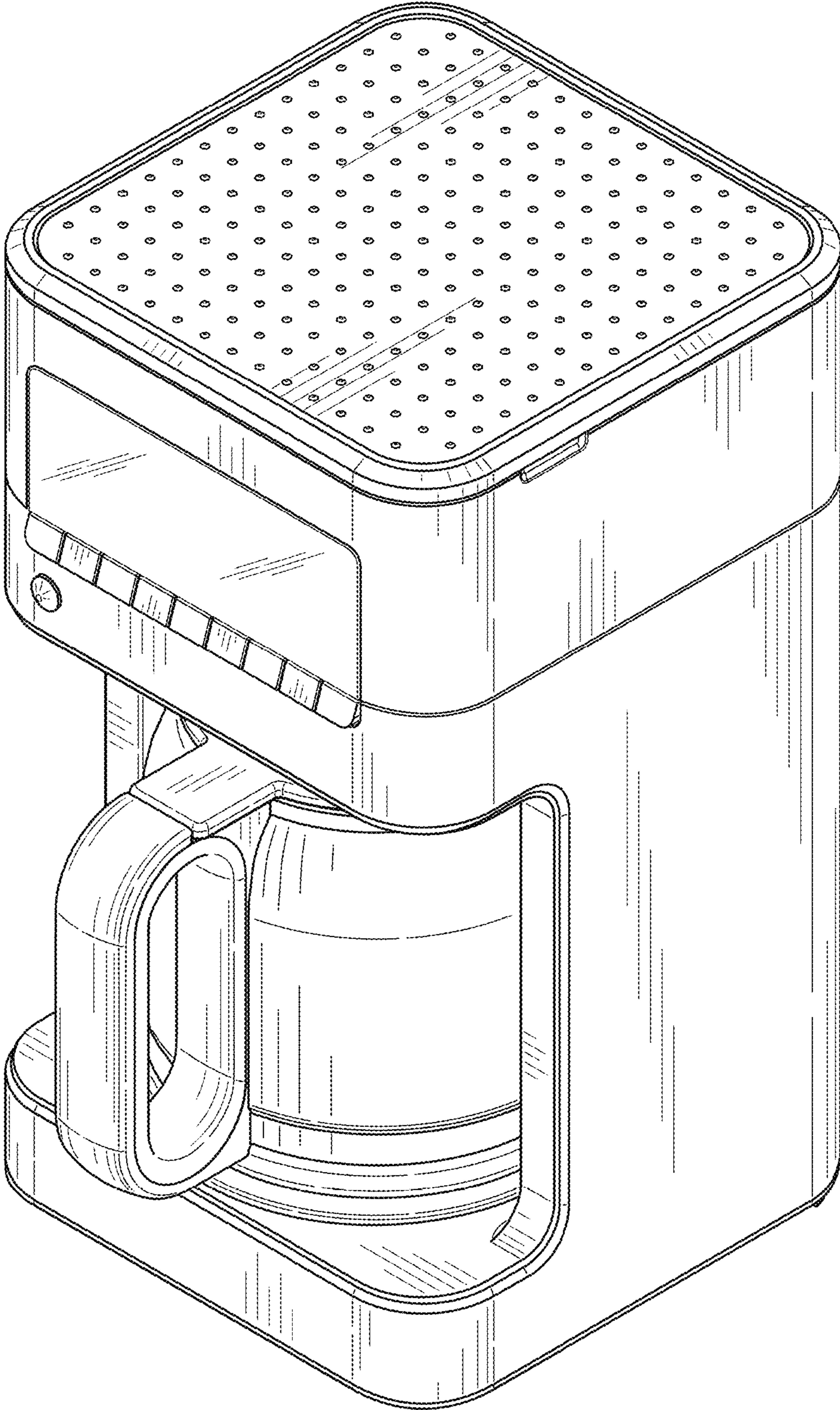


FIG. 1

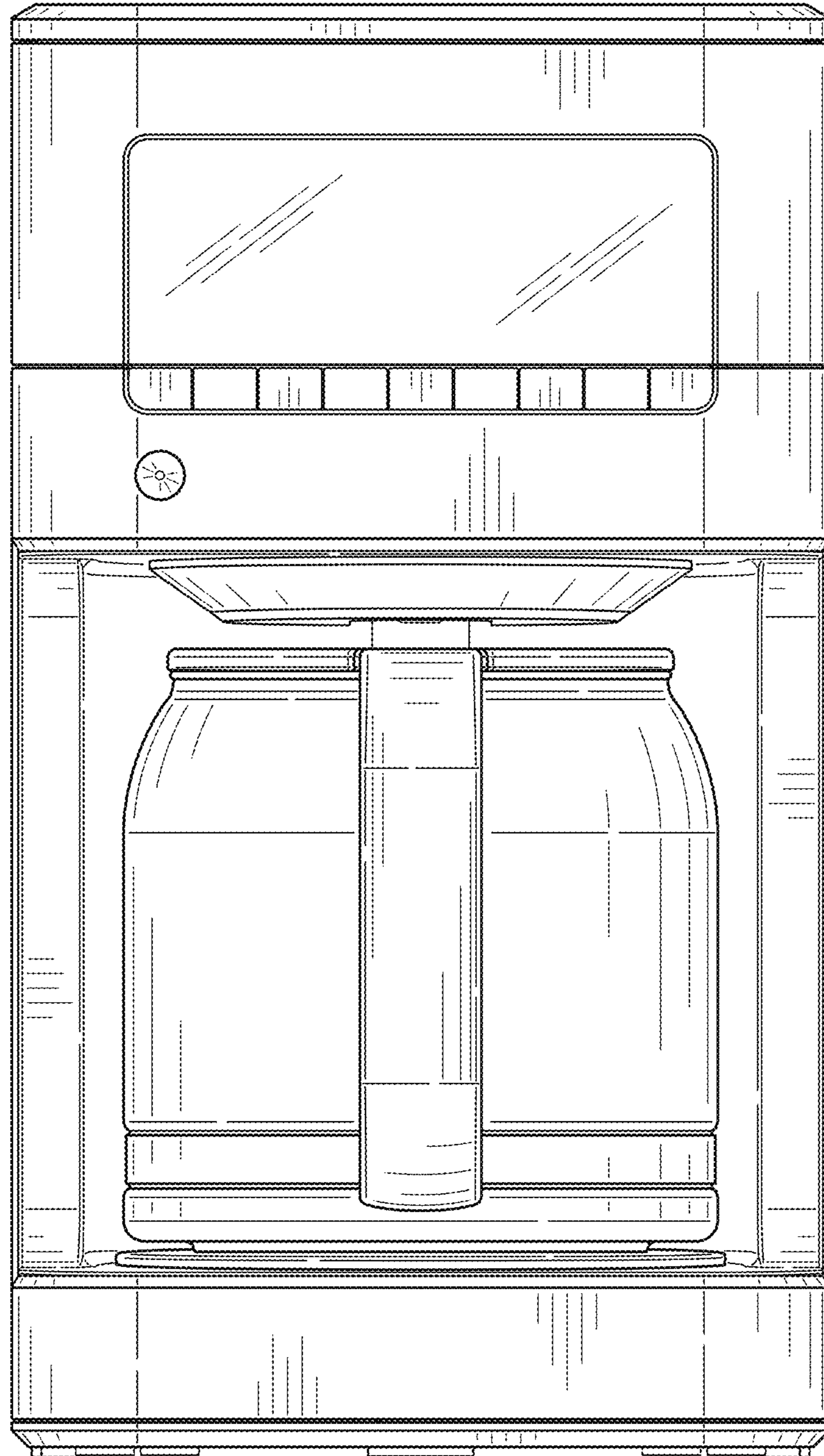


FIG. 2

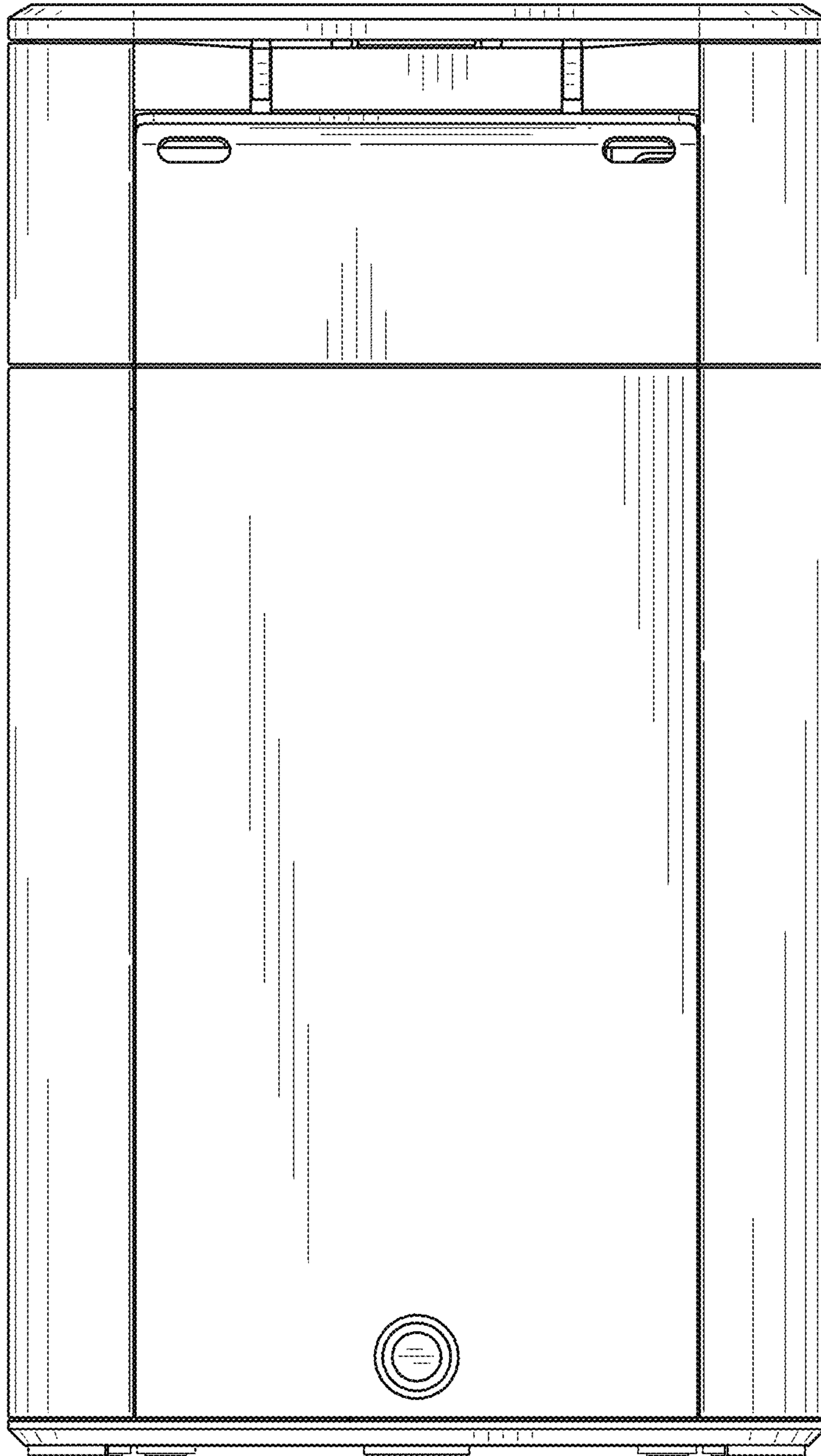


FIG. 3

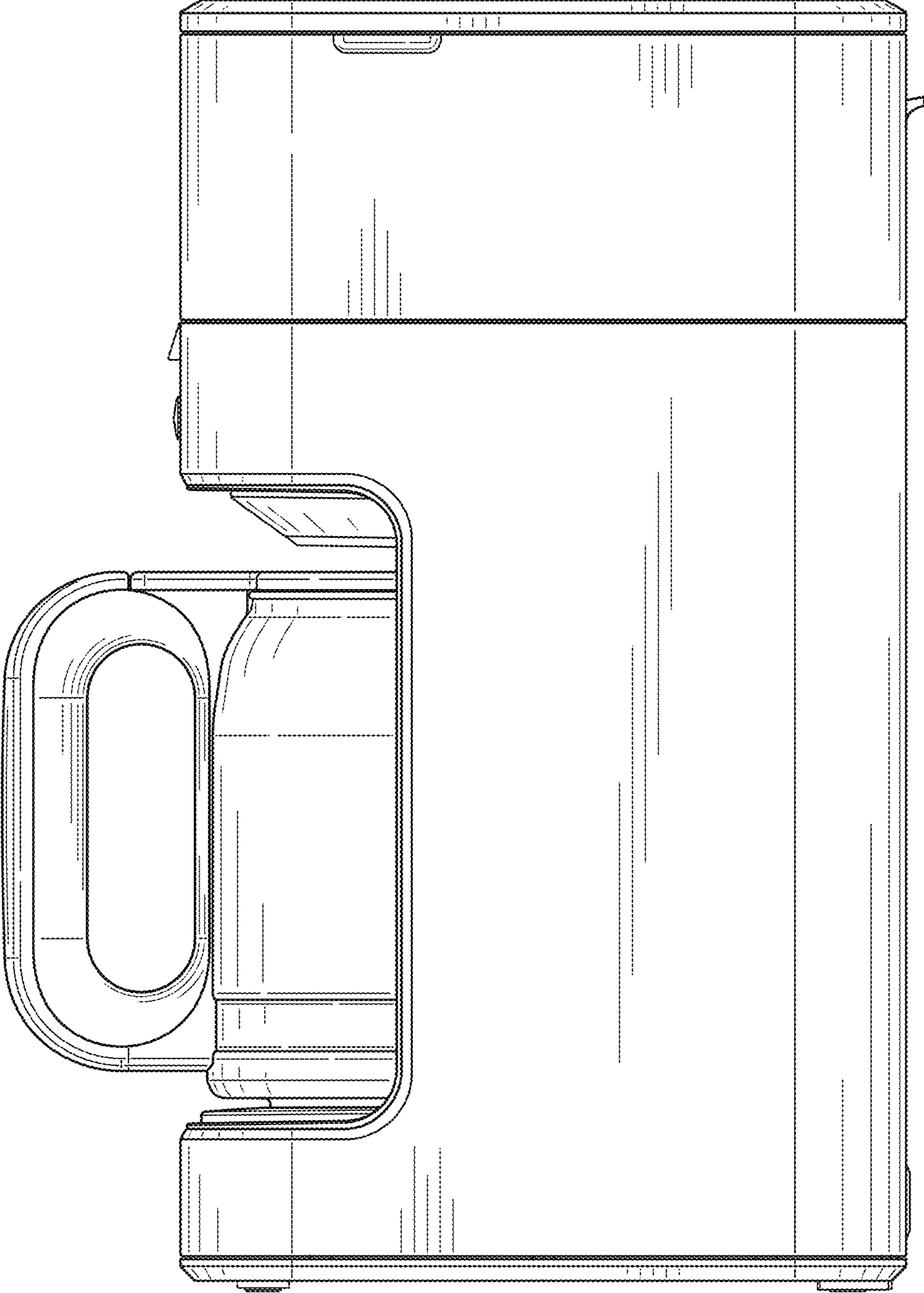


FIG. 4

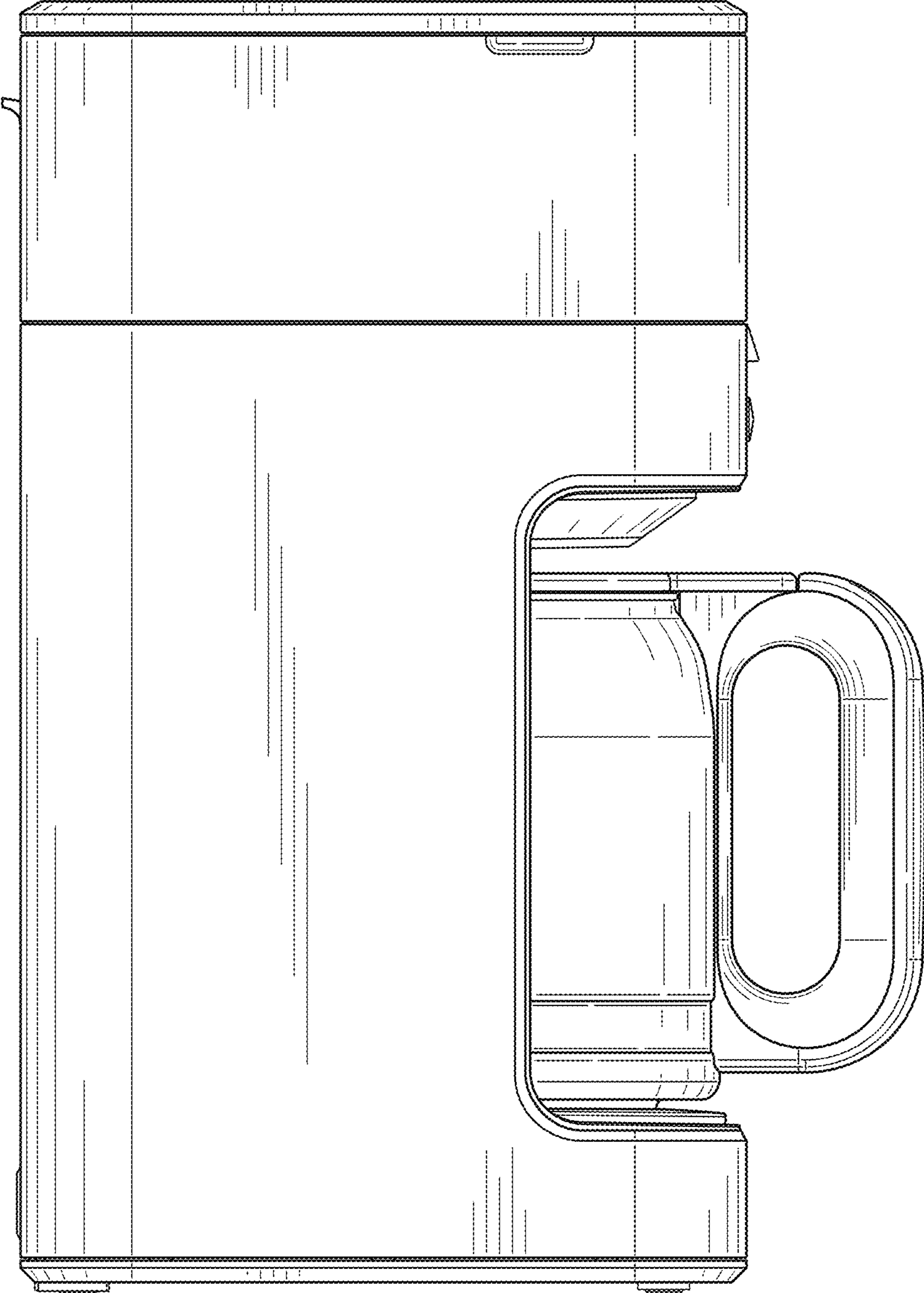


FIG. 5

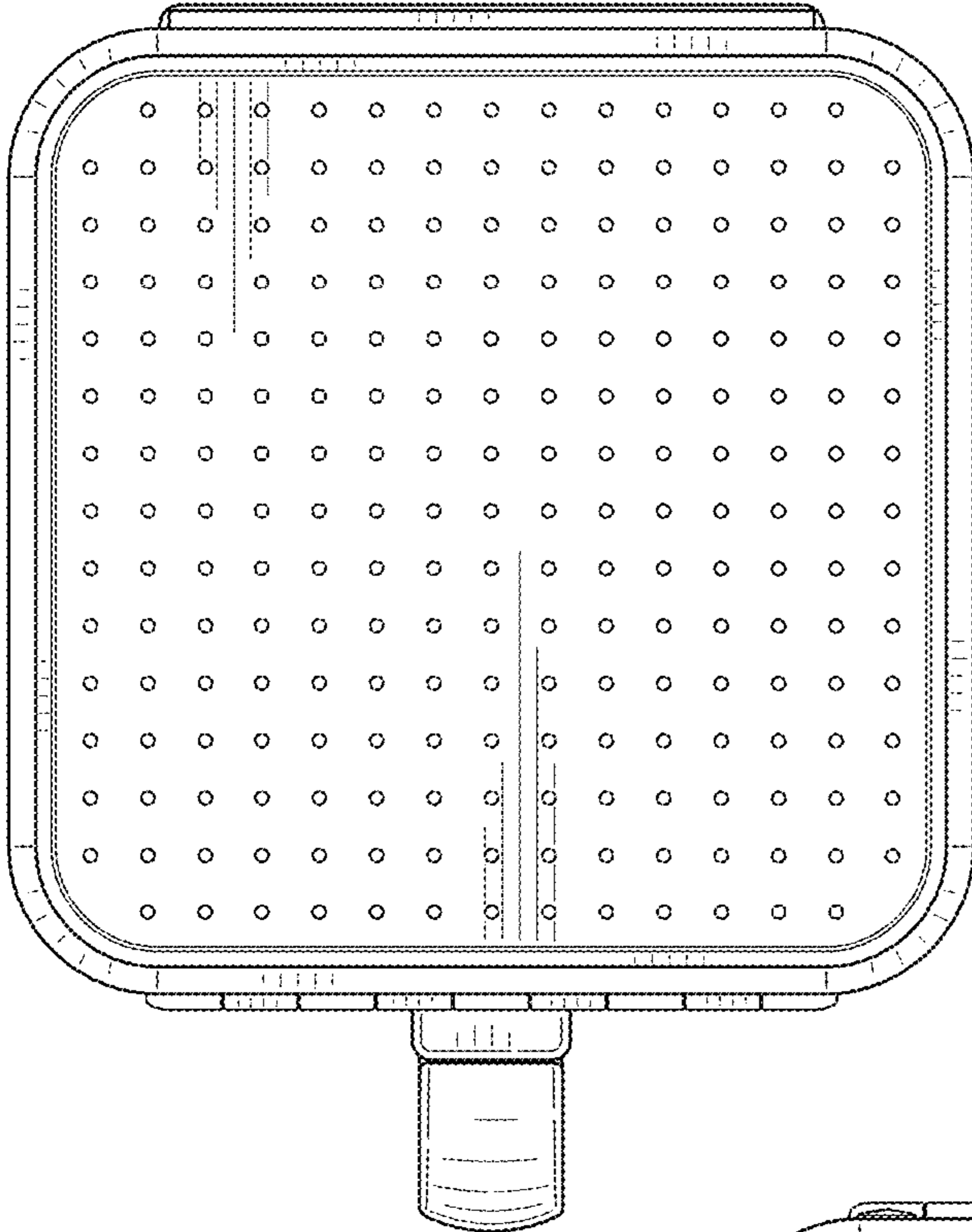


FIG. 6

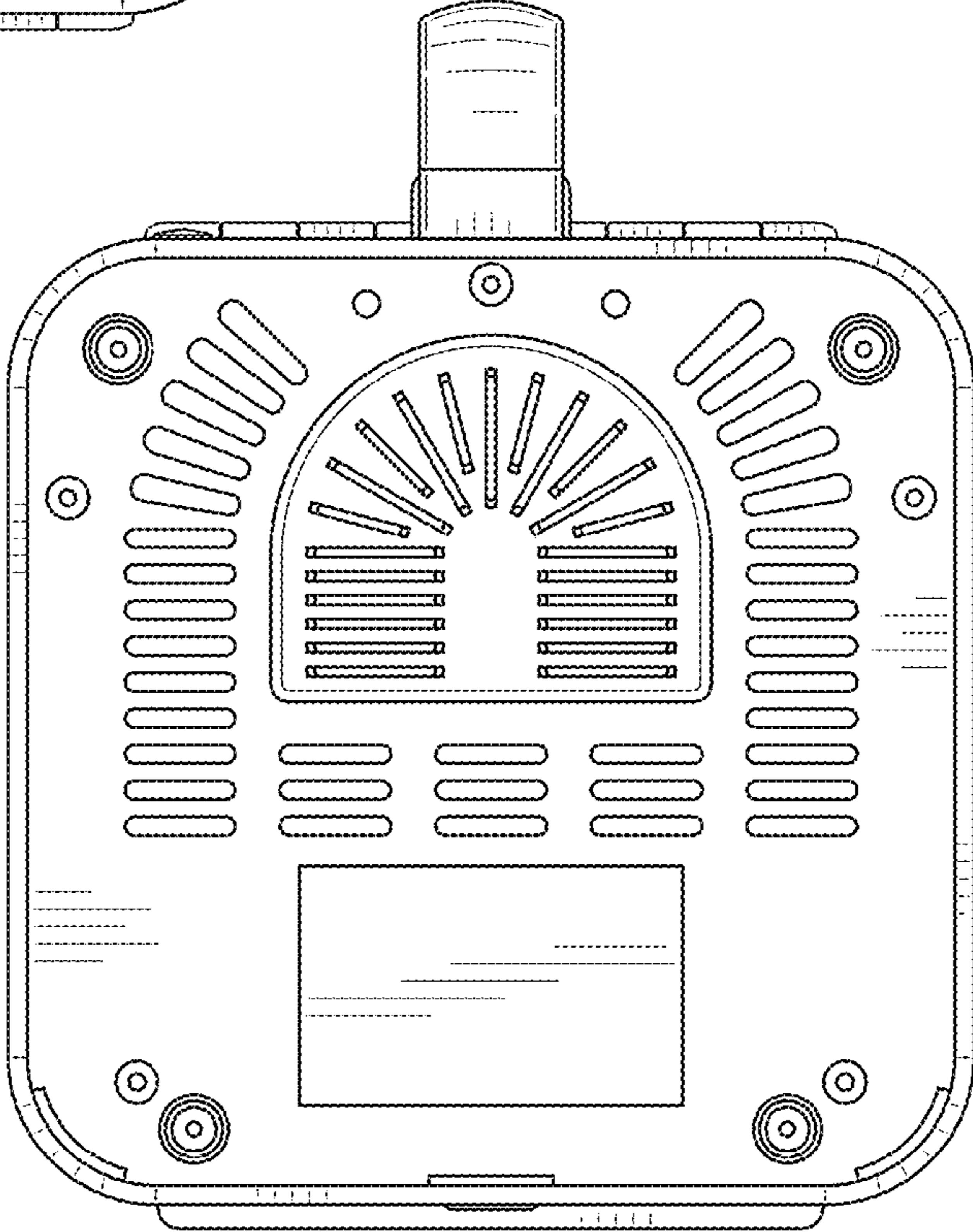


FIG. 7

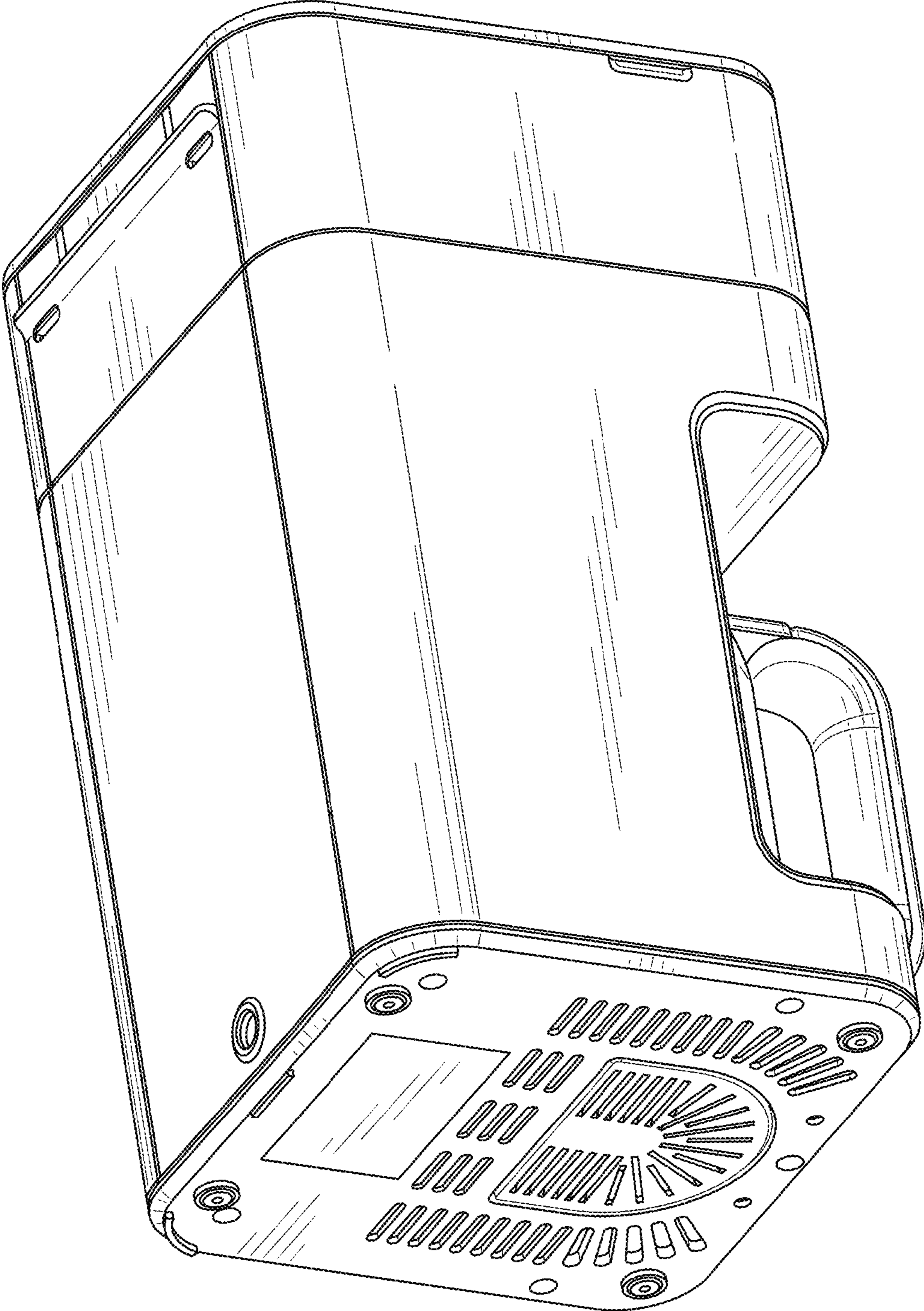


FIG. 8