



US00D770214S

(12) **United States Design Patent** (10) **Patent No.:** **US D770,214 S**
Kadyk et al. (45) **Date of Patent:** **** Nov. 1, 2016**

- (54) **BEVERAGE DISPENSER**
- (71) Applicant: **BUNN-O-MATIC CORPORATION**,
Springfield, IL (US)
- (72) Inventors: **Jeffrey W. Kadyk**, Springfield, IL
(US); **Steven H. Plume**, Springfield, IL
(US)
- (73) Assignee: **Bunn-O-Matic Corporation**,
Springfield, IL (US)
- (**) Term: **15 Years**
- (21) Appl. No.: **29/527,421**
- (22) Filed: **May 19, 2015**
- (51) **LOC (10) Cl.** **07-01**
- (52) **U.S. Cl.**
USPC **D7/307; D7/308; D7/311**
- (58) **Field of Classification Search**
USPC D7/300, 309–311, 306–308, 305, 355,
D7/362, 365, 367; 222/146.6, 185.1, 135;
99/295, 273, 304, 288, 279, 307, 283
CPC A47J 31/46; A47J 31/407; A47J 31/50;
A47J 31/18; A47J 31/00; A47J 27/04;
A47J 31/0573; A47J 31/52
See application file for complete search history.

6,439,428	B1	8/2002	Schroeder et al.	
D486,687	S *	2/2004	Strandell	D7/307
D529,750	S *	10/2006	Baron	D7/307
7,269,960	B2	9/2007	Elsom et al.	
D557,970	S	12/2007	Asbridge	
D561,513	S	2/2008	Giordano et al.	
D587,058	S *	2/2009	Terada	D7/307
D587,956	S *	3/2009	Adachi	D7/307
D592,441	S *	5/2009	Terada	D7/307
D597,367	S *	8/2009	Adachi	D7/307
D598,232	S *	8/2009	Adachi	D7/307
7,784,205	B1	8/2010	Baron et al.	
7,889,182	B2	2/2011	Romanyszyn et al.	
7,980,425	B2	7/2011	Baron et al.	
D649,393	S	11/2011	Cohlma et al.	
8,225,960	B2	7/2012	Njaastad et al.	
D676,699	S	2/2013	Chung et al.	
D676,700	S *	2/2013	Chung	D7/307
D676,701	S *	2/2013	Chung	D7/307
D699,066	S *	2/2014	Arora	D7/307
D699,501	S	2/2014	Arora et al.	
D717,091	S *	11/2014	Suzuki	D7/308
8,899,072	B2	12/2014	Veettil et al.	
2001/0000107	A1	4/2001	Simmons et al.	

* cited by examiner

Primary Examiner — Marianne Pandozzi
(74) *Attorney, Agent, or Firm* — Barnes & Thornburg
LLP

(57) **CLAIM**
What is claimed is the ornamental design for a beverage dispenser, as shown and described.

DESCRIPTION

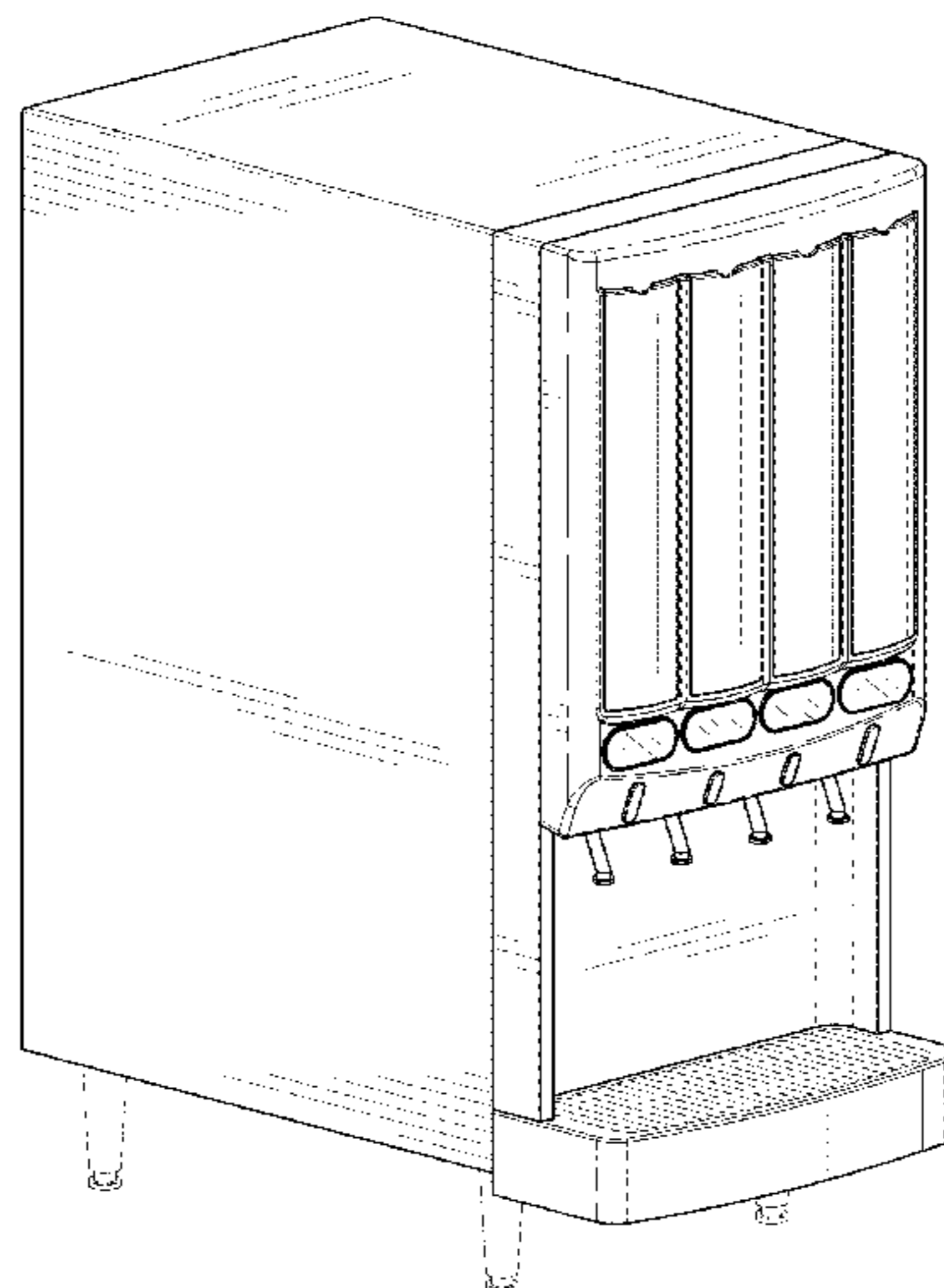
FIG. 1 is a perspective view of the beverage dispenser;
FIG. 2 is a front elevational view thereof;
FIG. 3 is a rear view thereof;
FIG. 4 is a right side view thereof;
FIG. 5 is a left side view thereof;
FIG. 6 is a top plan view thereof; and,
FIG. 7 is a bottom plan view thereof.
The broken lines in the drawing depict portions of the beverage dispenser that form no part of the claimed design.

1 Claim, 7 Drawing Sheets

(56) **References Cited**

U.S. PATENT DOCUMENTS

D233,270	S *	10/1974	McTigue	D7/308
D250,536	S *	12/1978	Bourke	D7/308
D289,129	S *	4/1987	Syverson	D7/305
D297,697	S	9/1988	Fossella	
D312,021	S *	11/1990	Mohat	D7/308
5,114,047	A	5/1992	Baron et al.	
5,230,448	A	7/1993	Strohmeier et al.	
D346,088	S *	4/1994	Schroeder	D7/306
D367,989	S *	3/1996	Mills	D7/300
D382,761	S	8/1997	Ford	
D404,242	S *	1/1999	Schroeder	D7/307
D451,748	S	12/2001	Holderfield	
D453,088	S *	1/2002	Bell	D7/307



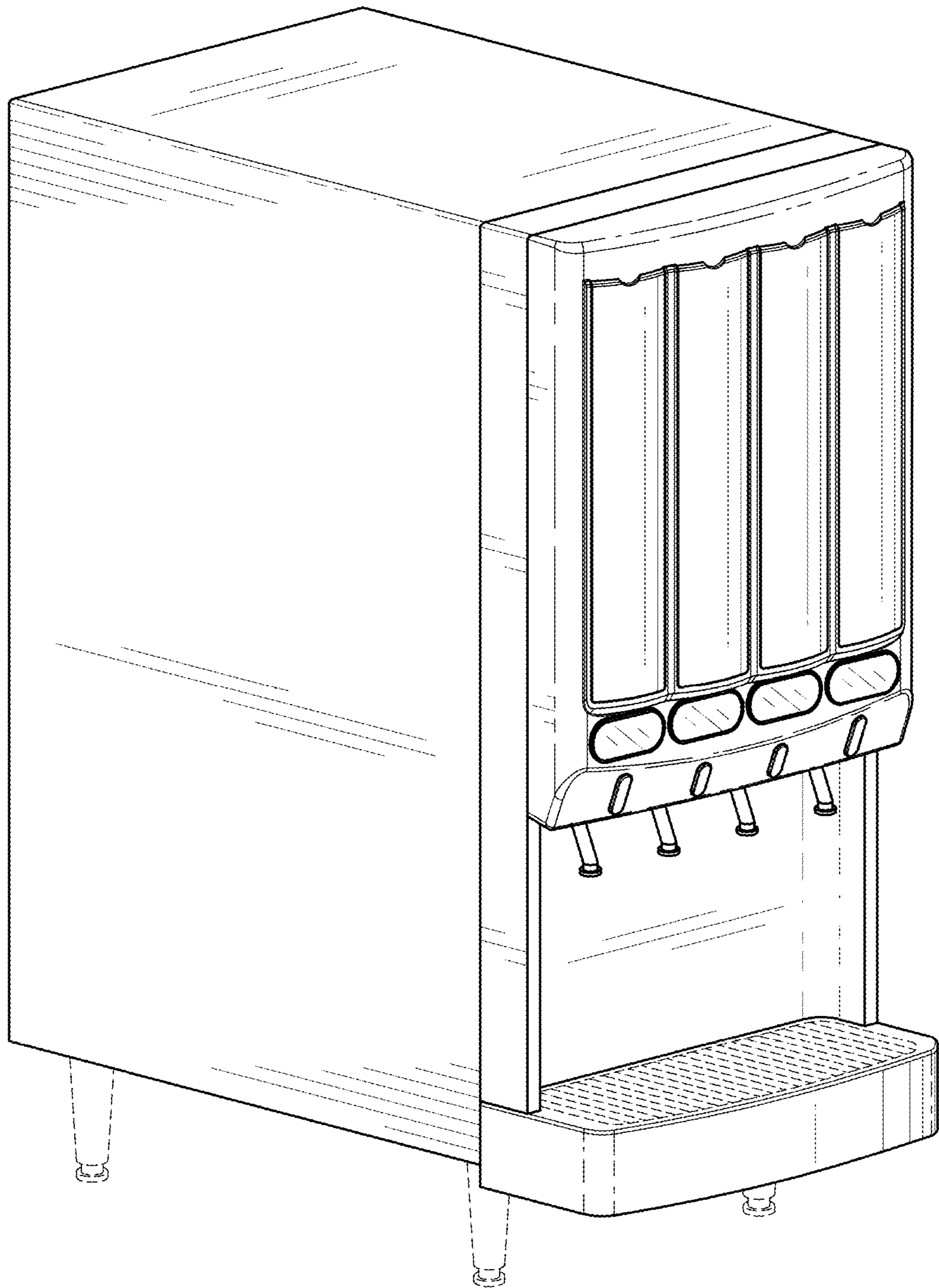


FIG. 1

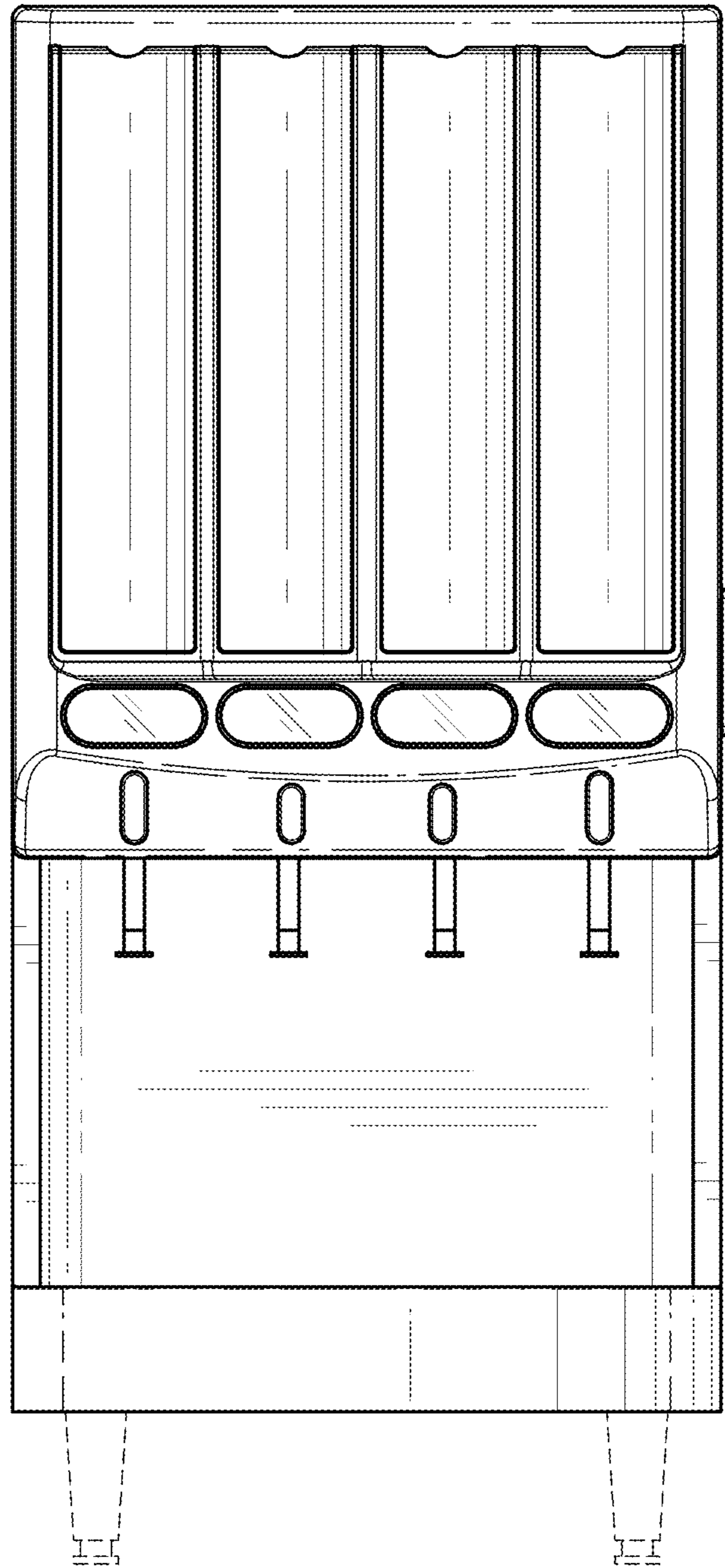


FIG. 2

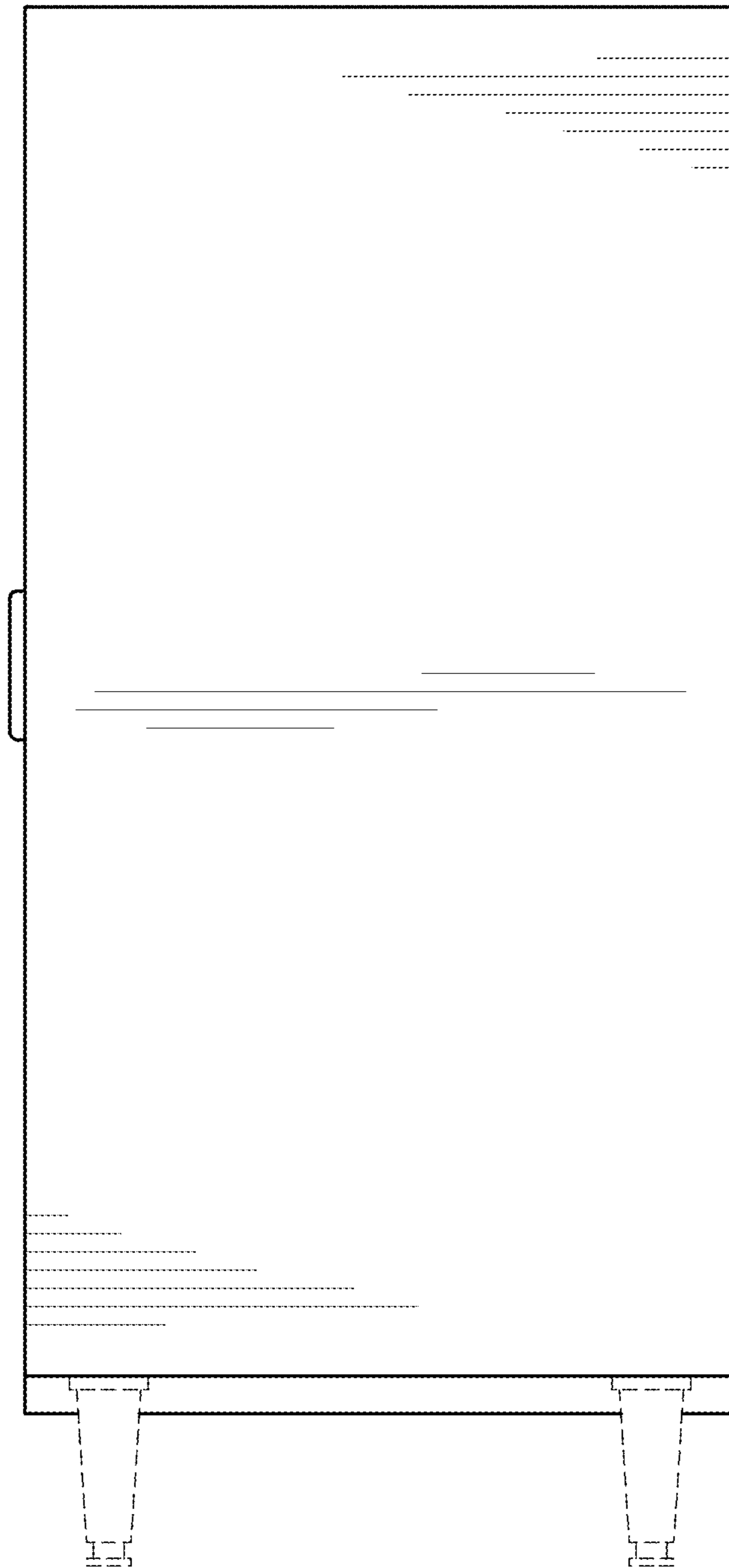


FIG. 3

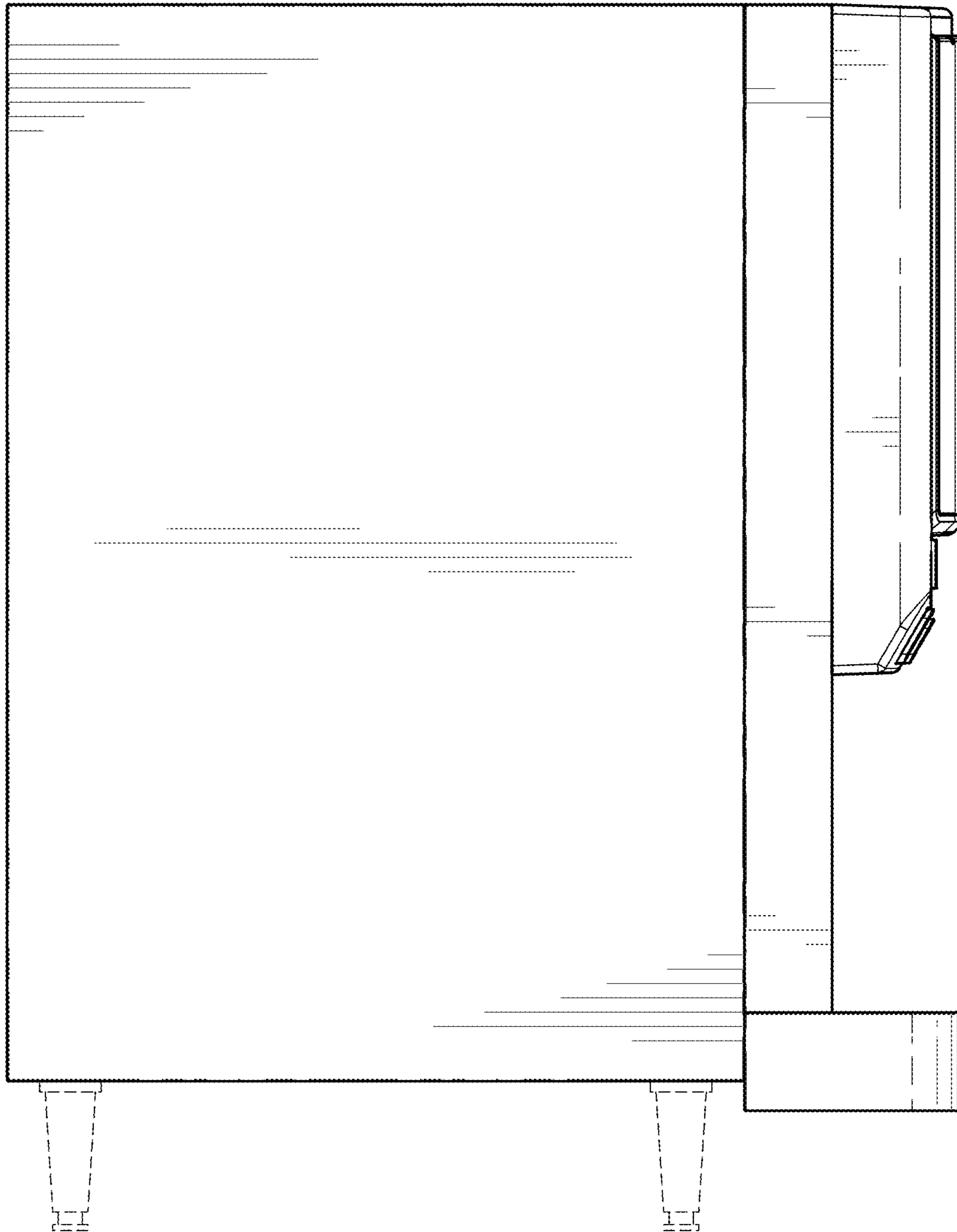


FIG. 4

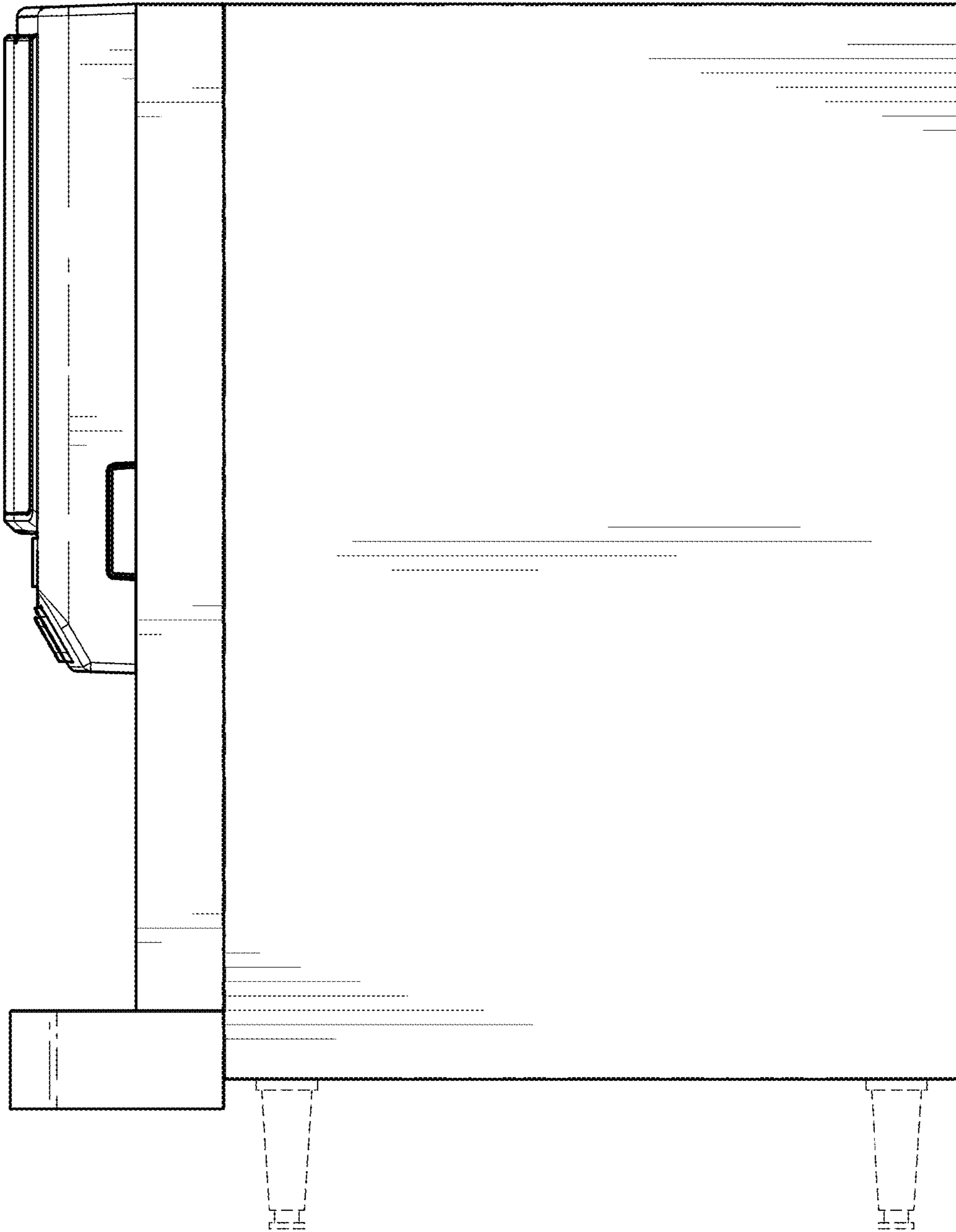


FIG. 5

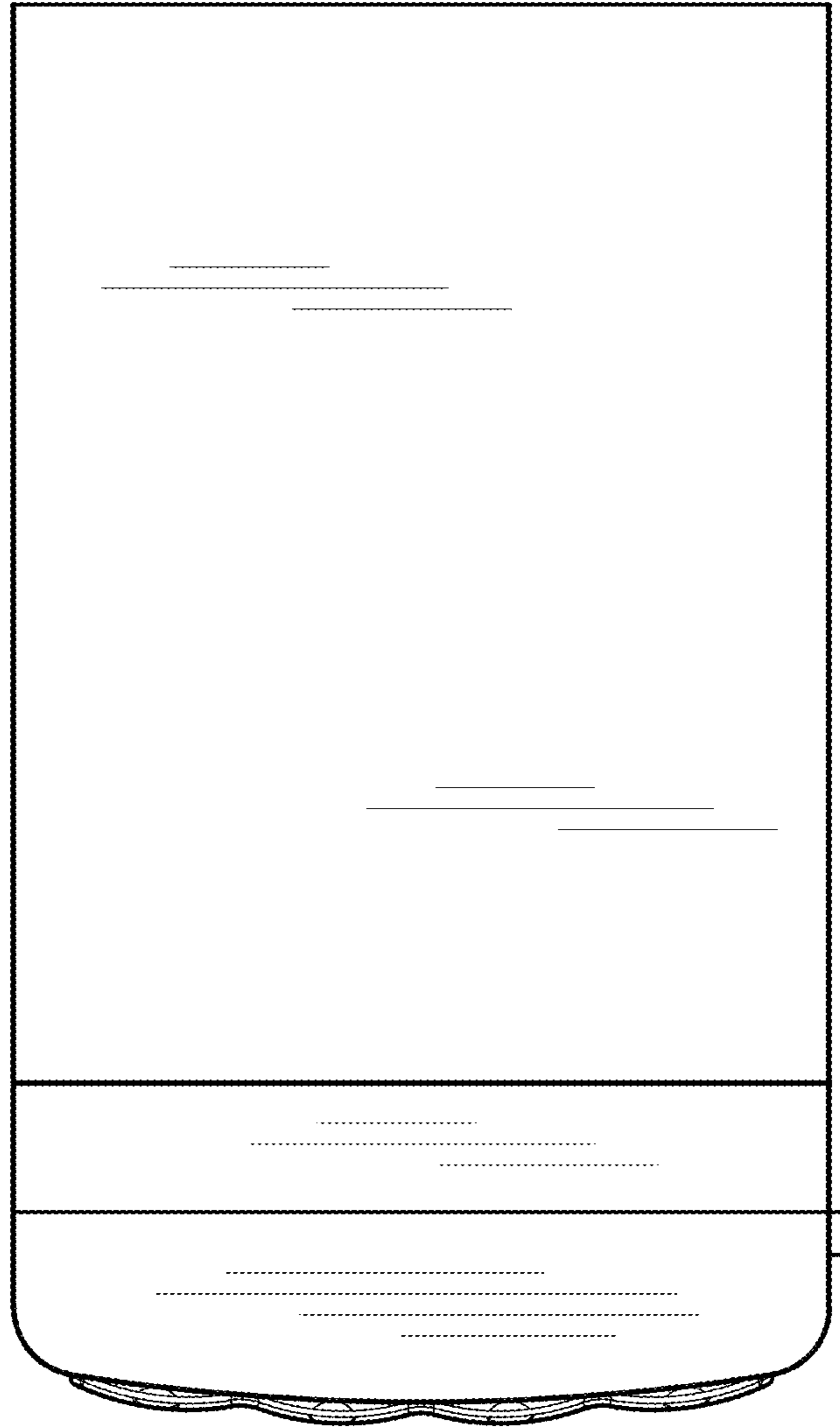


FIG. 6

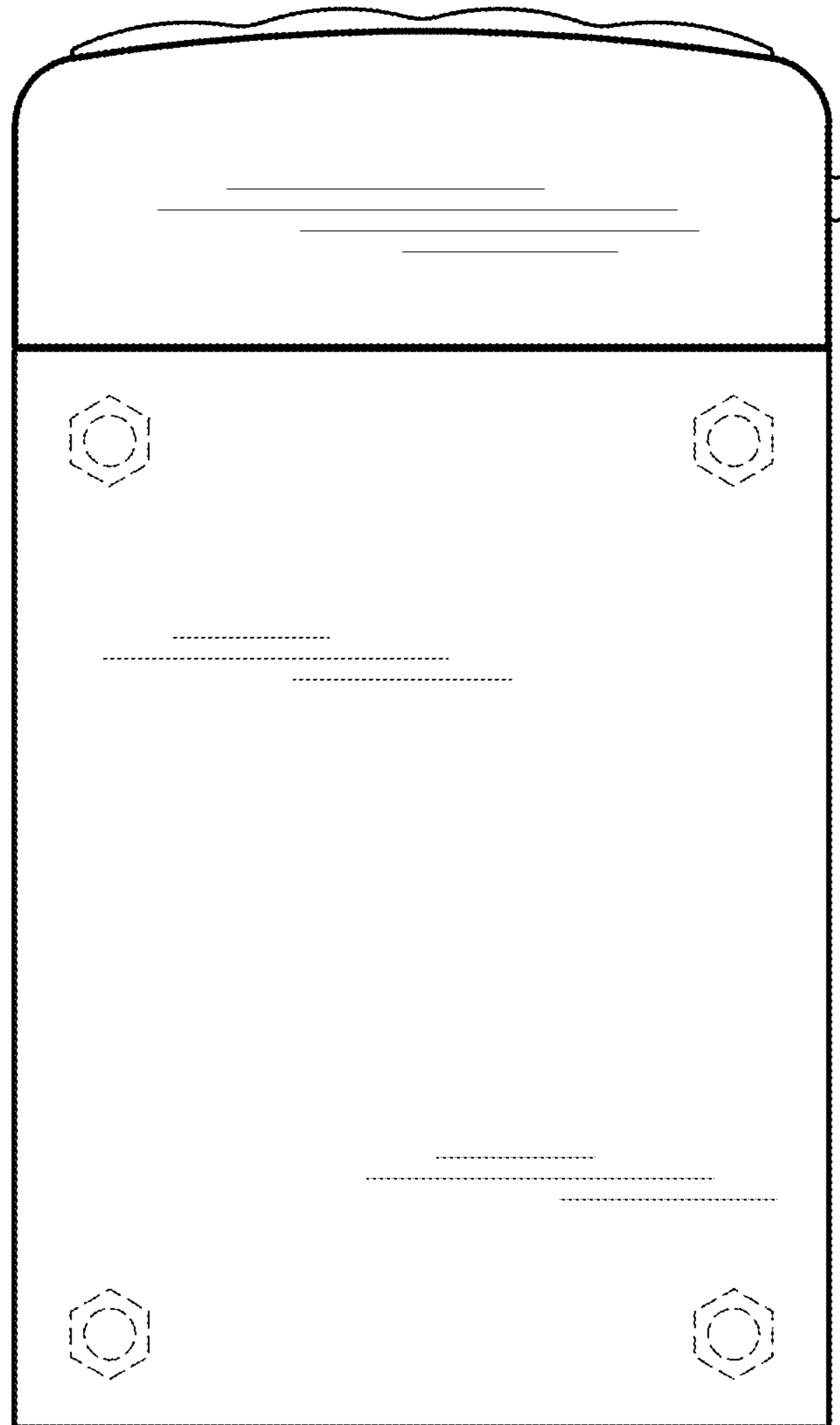


FIG. 7