



US00D770211S

(12) **United States Design Patent**
Sander et al.

(10) **Patent No.:** **US D770,211 S**

(45) **Date of Patent:** **** Nov. 1, 2016**

(54) **CHAIR**

(71) Applicant: **ITOKI CORPORATION**, Osaka-shi,
Osaka (JP)

(72) Inventors: **Armin Sander**, Fuerth (DE); **Peter
Horn**, Dresden (DE)

(73) Assignee: **ITOKI CORPORATION**, Osaka-shi,
Osaka (JP)

(**) Term: **14 Years**

(21) Appl. No.: **29/508,442**

(22) Filed: **Nov. 6, 2014**

(51) **LOC (10) Cl.** **06-01**

(52) **U.S. Cl.**
USPC **D6/716.4**

(58) **Field of Classification Search**
USPC D6/719, 707.24, 707.19, 716, 702, 707,
D6/707.25, 716.4; D25/102, 110, 123,
D25/136, 119; 297/452.1, 452.11, 452.12,
297/452.14, 452.29, 452.31, 452.32,
297/452.36, 452.38, 452.46, 452.48, 463.2
CPC .. A47C 1/024; A47C 1/032; A47C 1/03255;
A47C 1/035; A47C 1/16; A47C 1/12; A47C
1/121; A47C 1/124; A47C 7/36; A47C
7/004; A47C 7/56; A47C 7/563; A47C
7/566; A47C 7/40; A47C 3/026

See application file for complete search history.

(56) **References Cited**

U.S. PATENT DOCUMENTS

D273,730 S * 5/1984 Cafiero D6/366
D297,995 S * 10/1988 Stulik D6/356

D540,574 S * 4/2007 Johnson D6/366
D545,583 S * 7/2007 Huang D6/366
D557,028 S * 12/2007 Su D6/366
8,702,171 B2 * 4/2014 van Hekken A47C 3/12
297/296
D723,851 S * 3/2015 Plikat D6/366
2016/0100691 A1 * 4/2016 Masunaga A47C 7/462
297/285

OTHER PUBLICATIONS

U.S. Appl. No. 29/508,438, filed Nov. 6, 2014, Sander.
U.S. Appl. No. 29/508,439, filed Nov. 6, 2014, Sander.

* cited by examiner

Primary Examiner — Rosemary K Tarcza

Assistant Examiner — Christy Nemeth

(74) *Attorney, Agent, or Firm* — Drinker Biddle & Reath
LLP

(57) **CLAIM**

The ornamental design for a chair, as shown and described.

DESCRIPTION

FIG. 1 is a perspective view of the top, front and right side
of a chair showing our new design;

FIG. 2 is a perspective view of the top, rear and left side
thereof;

FIG. 3 is a front view thereof;

FIG. 4 is a rear view thereof;

FIG. 5 is a left side view thereof;

FIG. 6 is a right side view thereof;

FIG. 7 is a top view thereof; and,

FIG. 8 is a bottom view thereof.

The broken lines in the drawings illustrate unclaimed por-
tions of the chair and form no part of the claimed design.

1 Claim, 8 Drawing Sheets

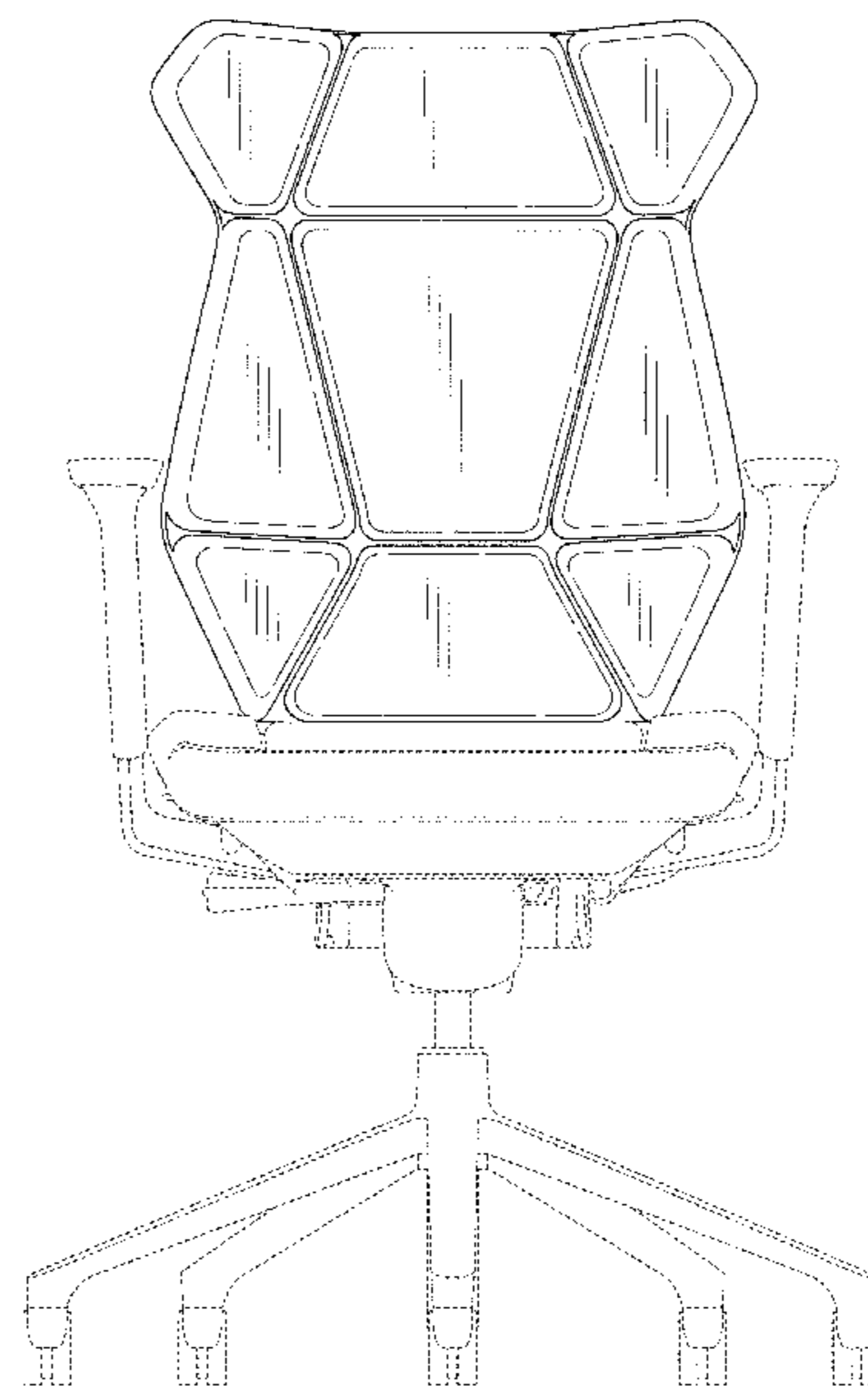
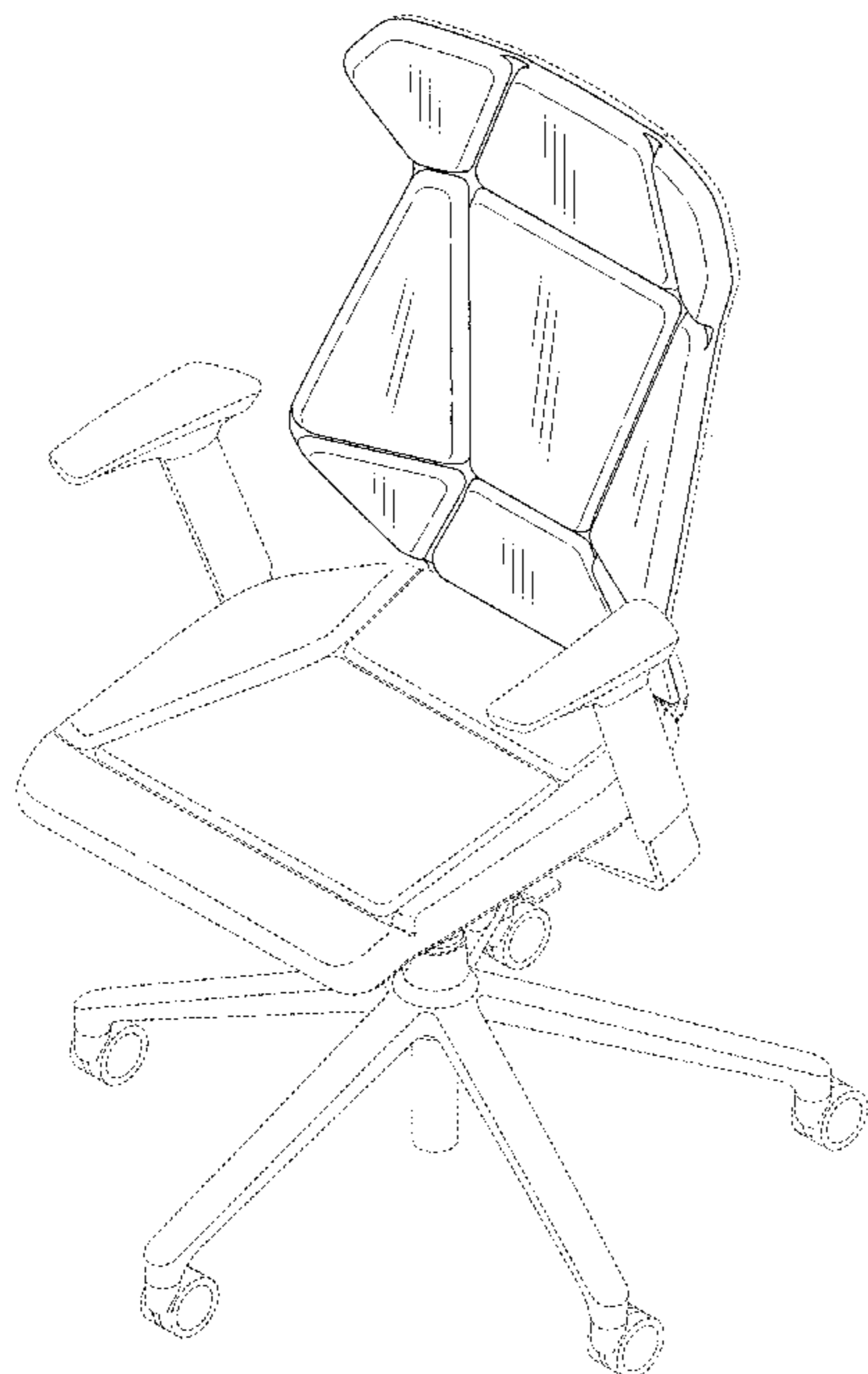


Fig. 1

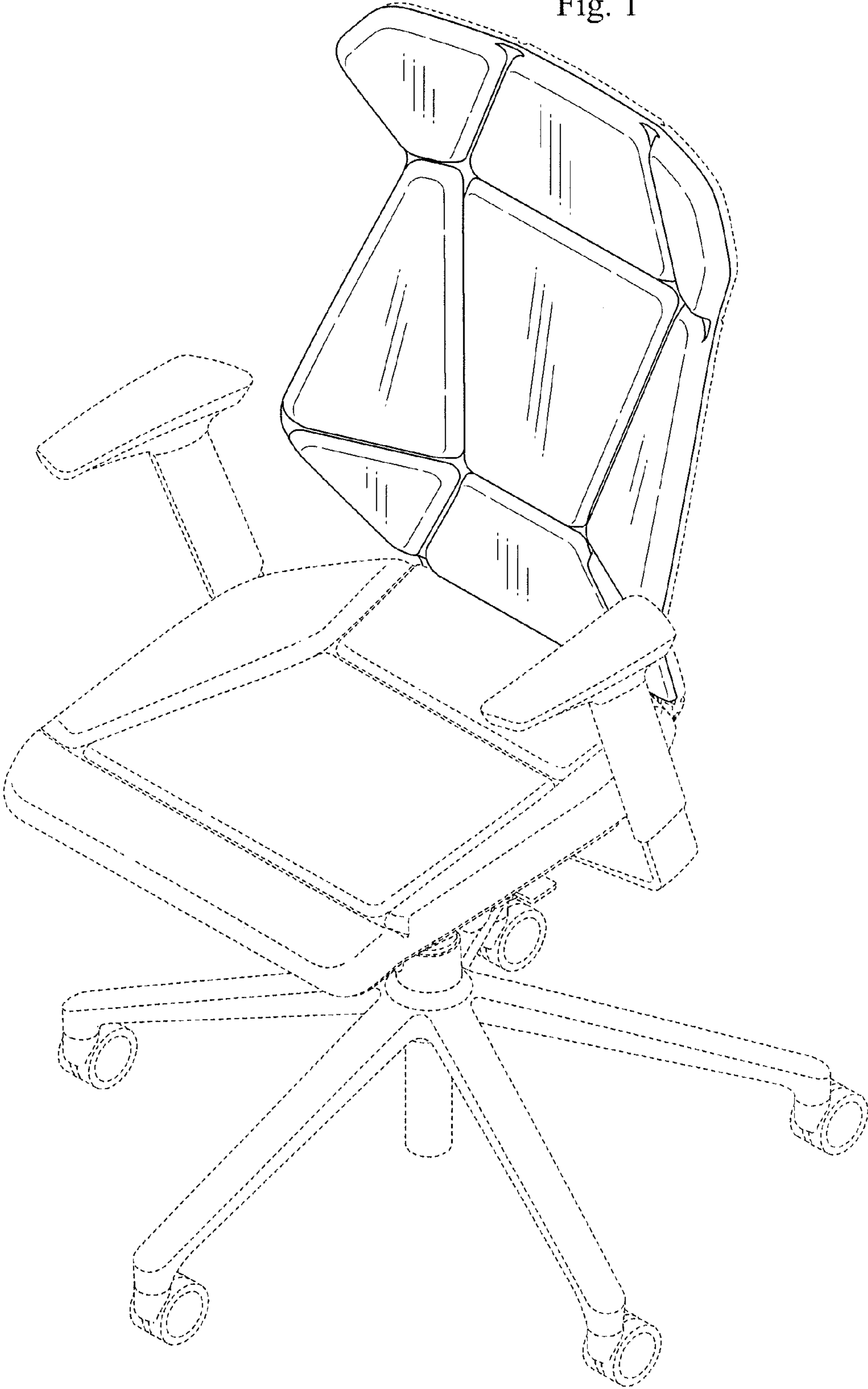


Fig. 2



Fig. 3

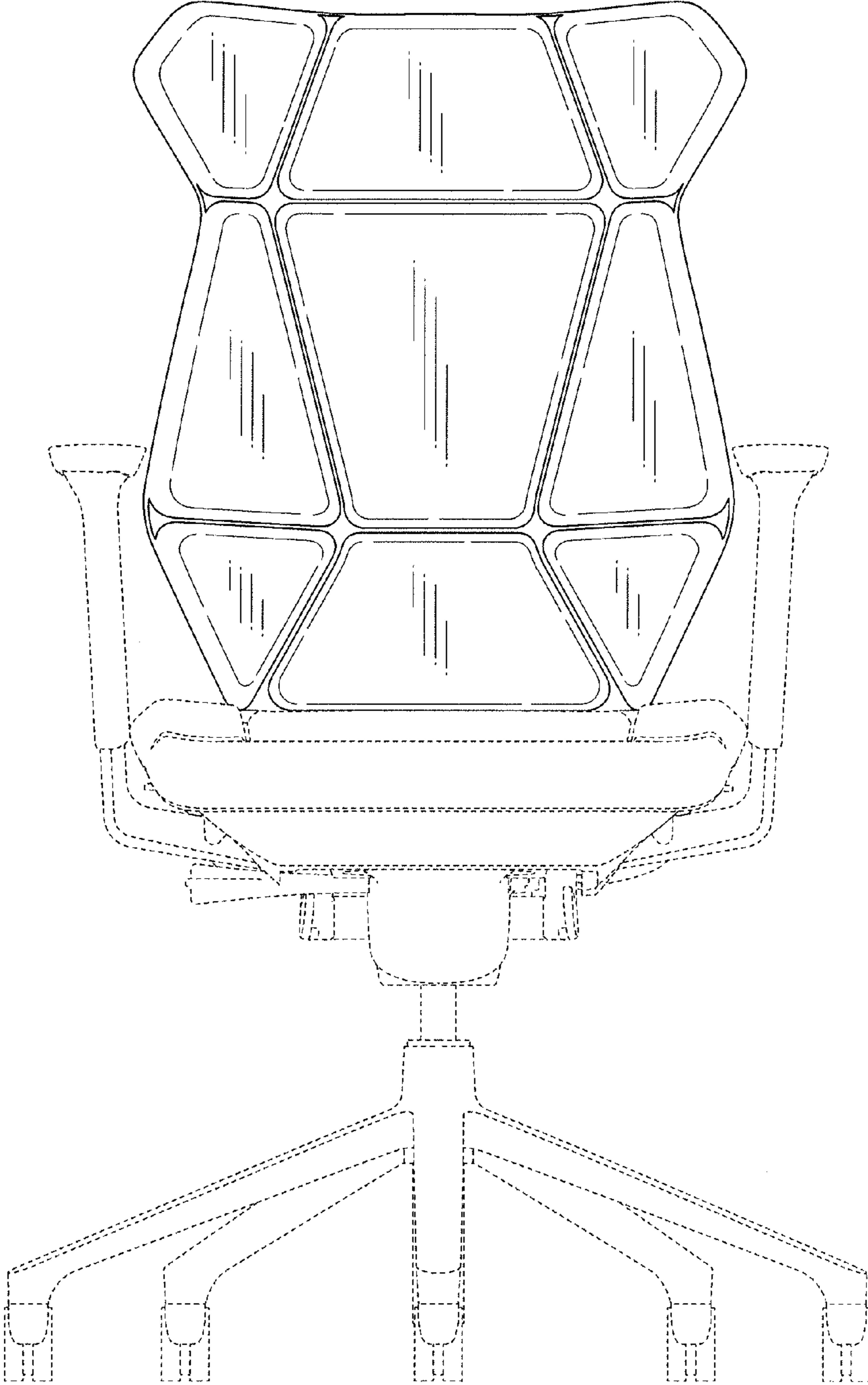


Fig. 4

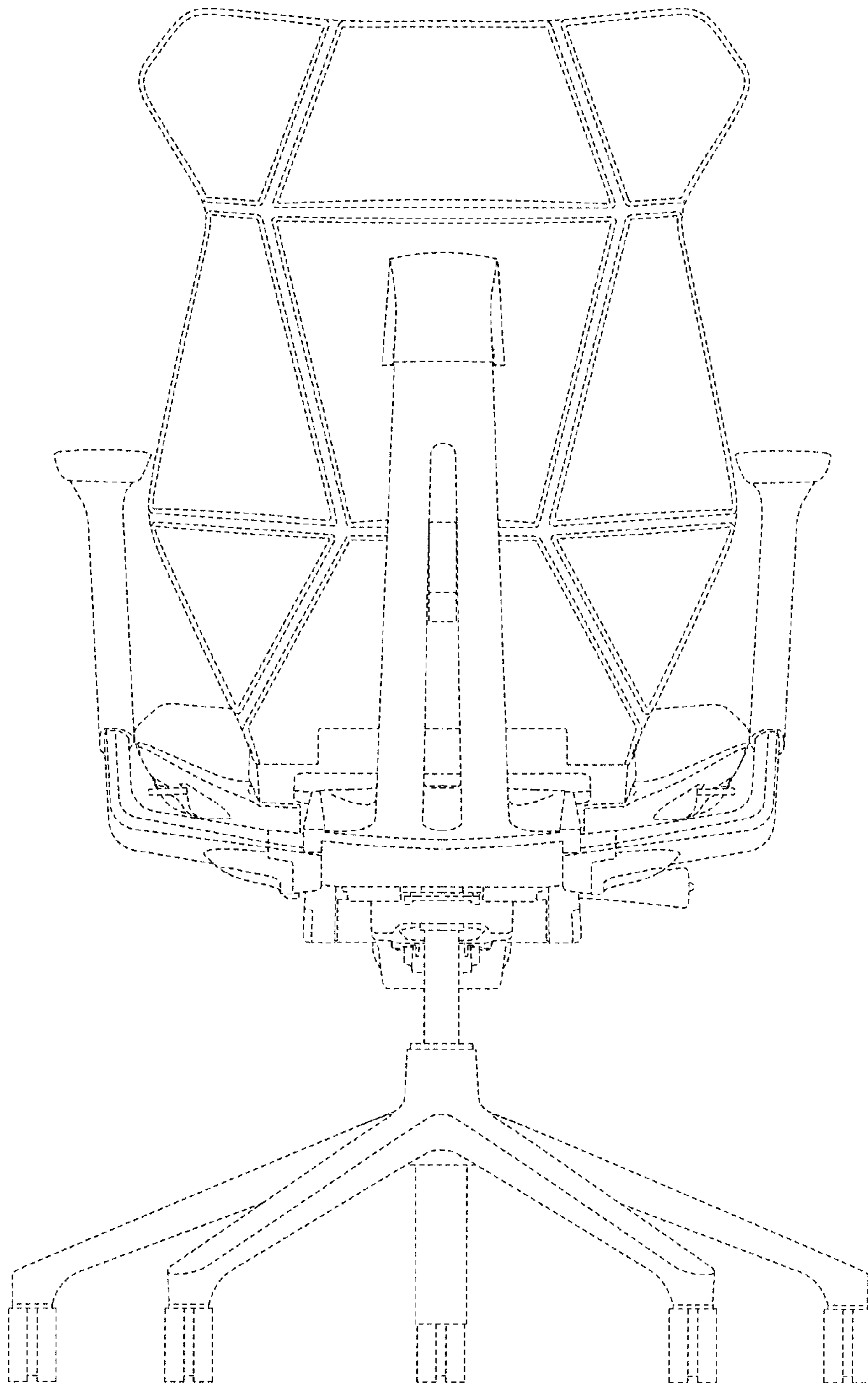


Fig. 5

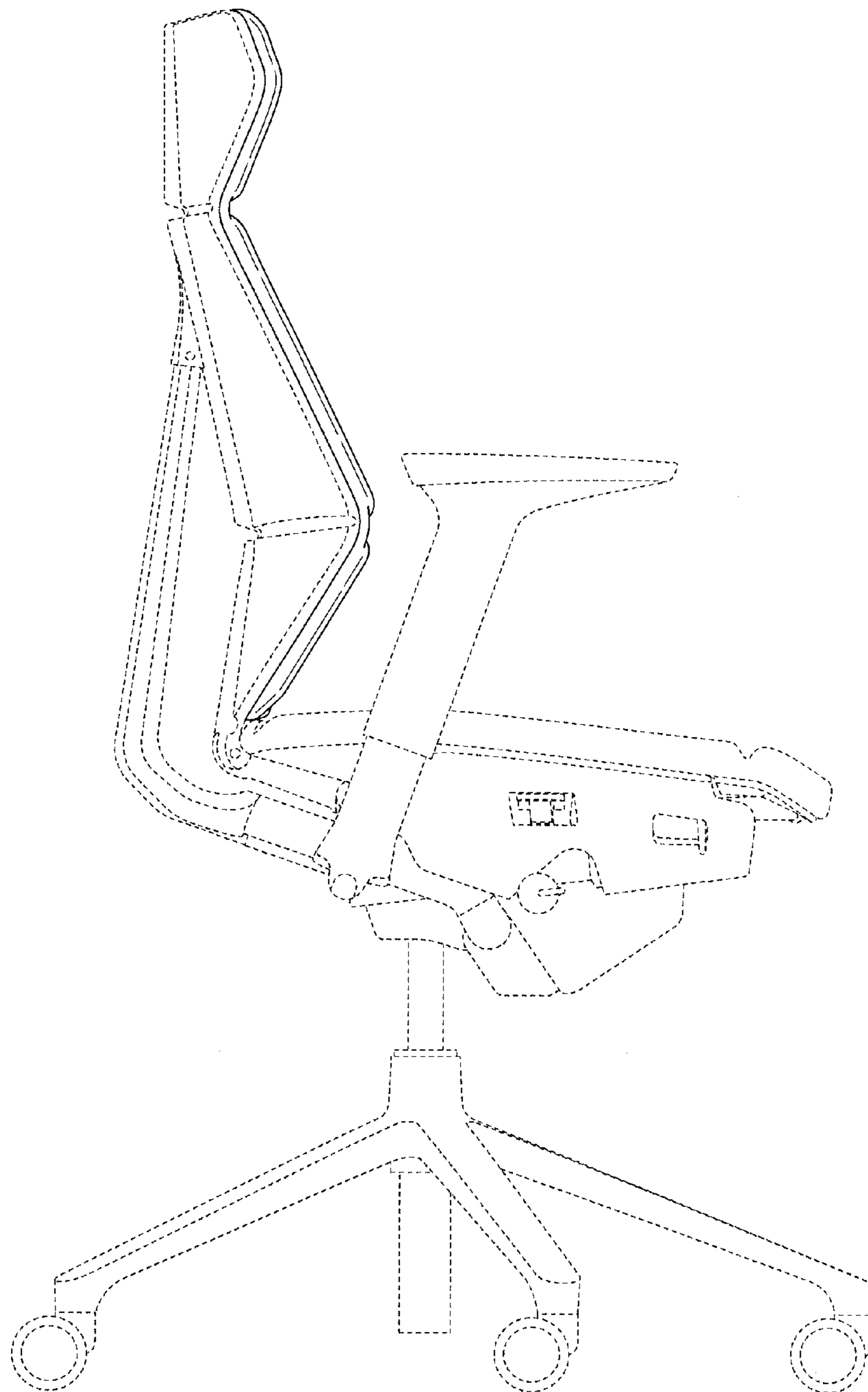


Fig. 6

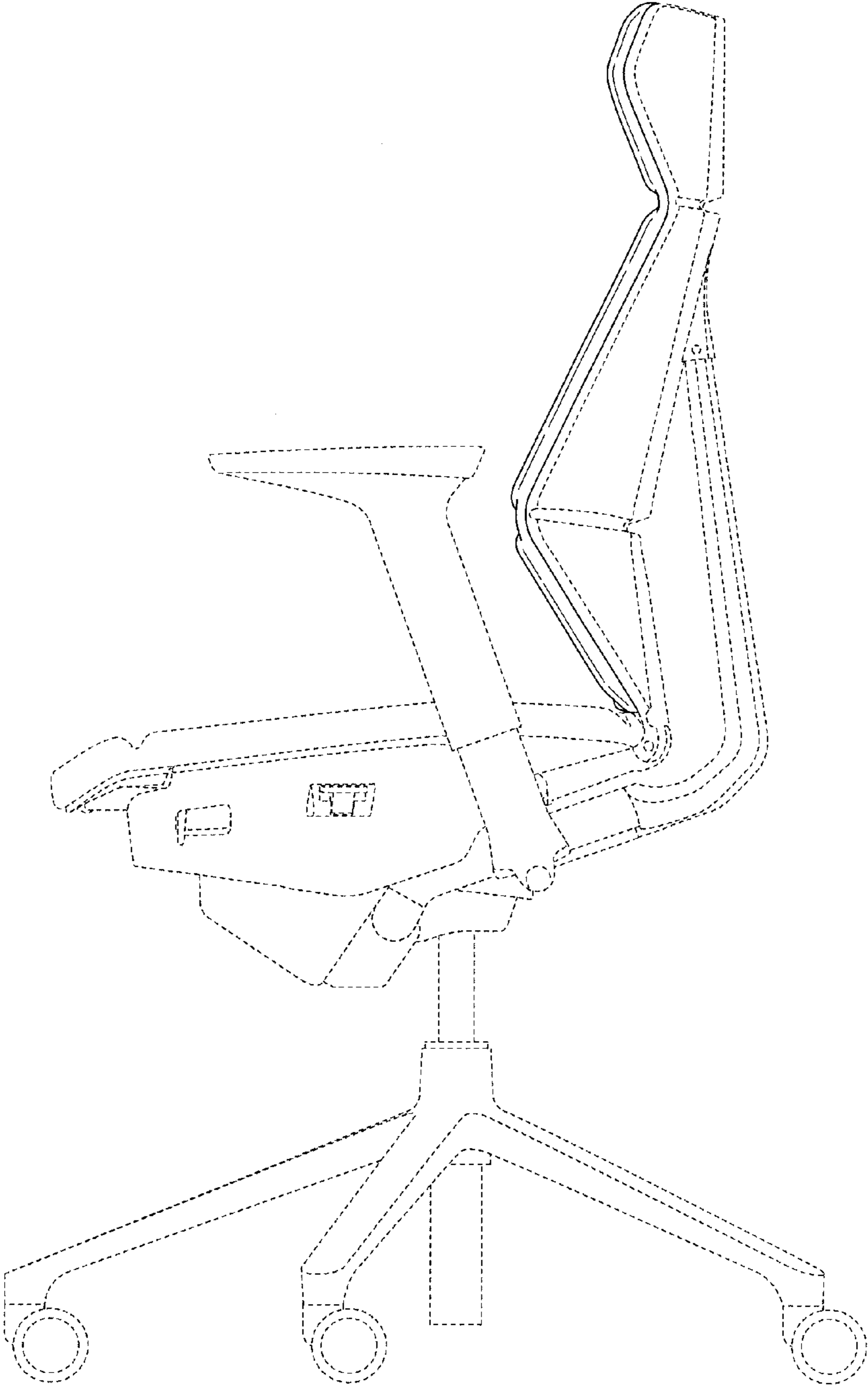


Fig. 7

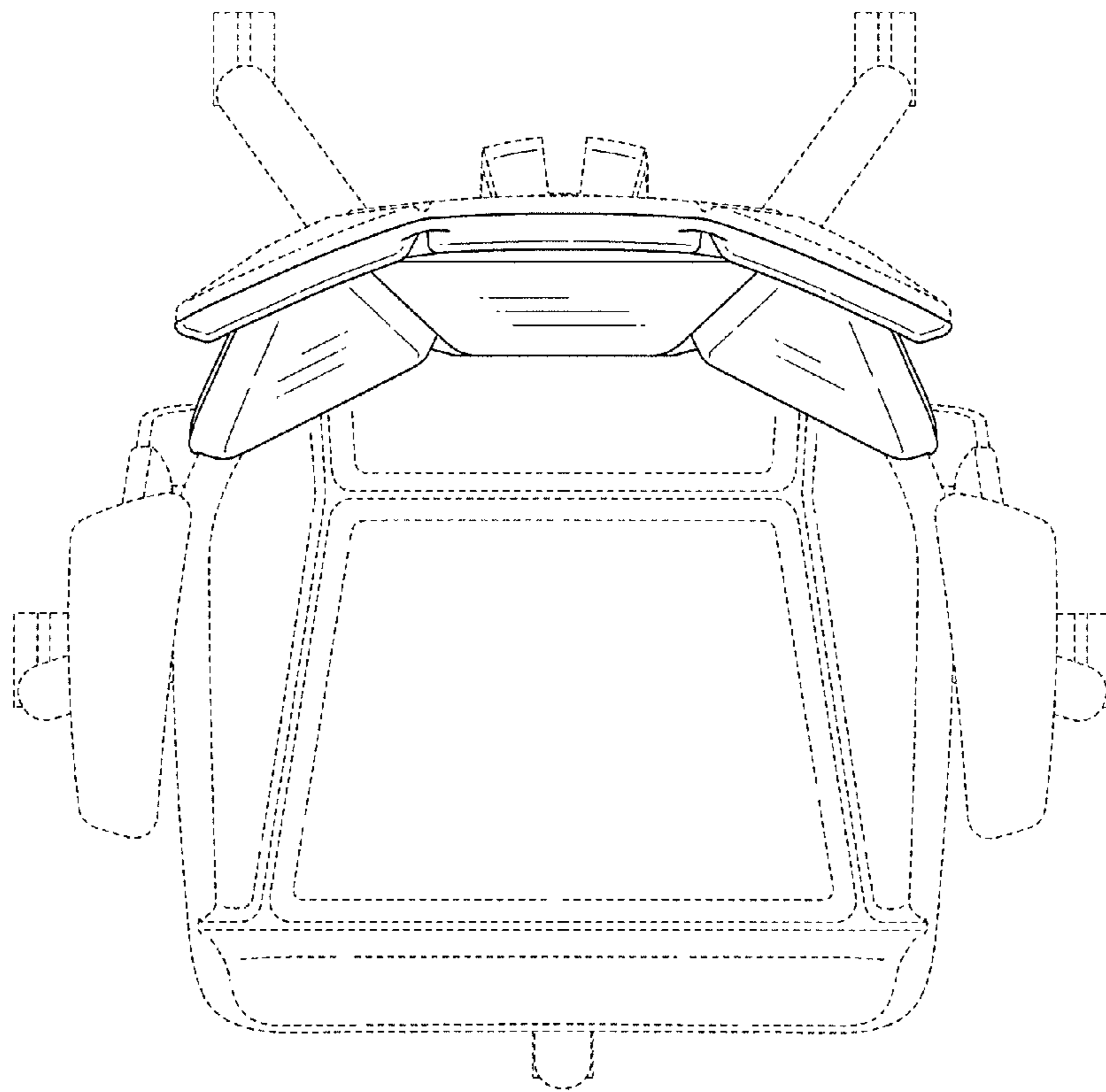


Fig. 8

