



US00D770210S

(12) **United States Design Patent** (10) **Patent No.:** **US D770,210 S**
Sander et al. (45) **Date of Patent:** **** Nov. 1, 2016**

(54) **CHAIR**
(71) Applicant: **ITOKI CORPORATION**, Osaka-shi, Osaka (JP)
(72) Inventors: **Armin Sander**, Fuerth (DE); **Peter Horn**, Dresden (DE)
(73) Assignee: **ITOKI CORPORATION**, Osaka-shi, Osaka (JP)
(**) Term: **14 Years**
(21) Appl. No.: **29/508,439**
(22) Filed: **Nov. 6, 2014**
(51) **LOC (10) Cl.** **06-01**
(52) **U.S. Cl.**
USPC **D6/716.4**
(58) **Field of Classification Search**
USPC D6/719, 707.24, 707.19, 716, 702, 707, D6/707.25, 716.4; D25/102, 110, 123, D25/136, 119; 297/452.1, 452.11, 452.12, 297/452.14, 452.29, 452.31, 452.32, 297/452.36, 452.38, 452.46, 452.48, 463.2
CPC .. A47C 1/024; A47C 1/032; A47C 1/03255; A47C 1/035; A47C 1/16; A47C 1/12; A47C 1/121; A47C 1/124; A47C 7/36; A47C 7/004; A47C 7/56; A47C 7/563; A47C 7/566; A47C 7/40; A47C 3/026
See application file for complete search history.

D689,318 S * 9/2013 Smith D6/716.4
D691,407 S * 10/2013 Nakamura D6/366
D701,068 S * 3/2014 Usumoto D6/366
8,702,171 B2 4/2014 Van Hekken
D723,851 S * 3/2015 Plikat D6/366
D727,075 S * 4/2015 Usumoto D6/366
D728,291 S * 5/2015 Ooki D6/716.4
2016/0100691 A1* 4/2016 Masunaga A47C 7/462
297/285

OTHER PUBLICATIONS

U.S. Appl. No. 29/508,442, filed Nov. 6, 2014, Sander.
U.S. Appl. No. 29/508,438, filed Nov. 6, 2014, Sander.

* cited by examiner

Primary Examiner — Rosemary K Tarcza
Assistant Examiner — Christy Nemeth
(74) *Attorney, Agent, or Firm* — Drinker Biddle & Reath LLP

(57) **CLAIM**
The ornamental design for a chair, as shown and described.

DESCRIPTION

FIG. 1 is a perspective view of the top, front and right side of a chair showing our new design;
FIG. 2 is a perspective view of the top, rear and left side thereof;
FIG. 3 is a front view thereof;
FIG. 4 is a rear view thereof;
FIG. 5 is a left side view thereof;
FIG. 6 is a right side view thereof;
FIG. 7 is a top view thereof; and,
FIG. 8 is a bottom view thereof.
The dashed broken lines in the drawings illustrate unclaimed portions of the chair and form no part of the claimed design. The dot-dashed lines in FIGS. 1-6 show the boundary between claimed and unclaimed subject matter and form no part of the claimed design.

1 Claim, 8 Drawing Sheets

(56) **References Cited**
U.S. PATENT DOCUMENTS
D431,400 S * 10/2000 Grove D6/366
D528,811 S * 9/2006 Giugiaro D6/366
D540,578 S * 4/2007 Chen D6/366
D541,063 S * 4/2007 Su D6/366
D557,028 S * 12/2007 Su D6/366
D652,223 S * 1/2012 Fujita D6/366
D652,646 S * 1/2012 Fujita D6/366
D683,574 S * 6/2013 Su D6/366

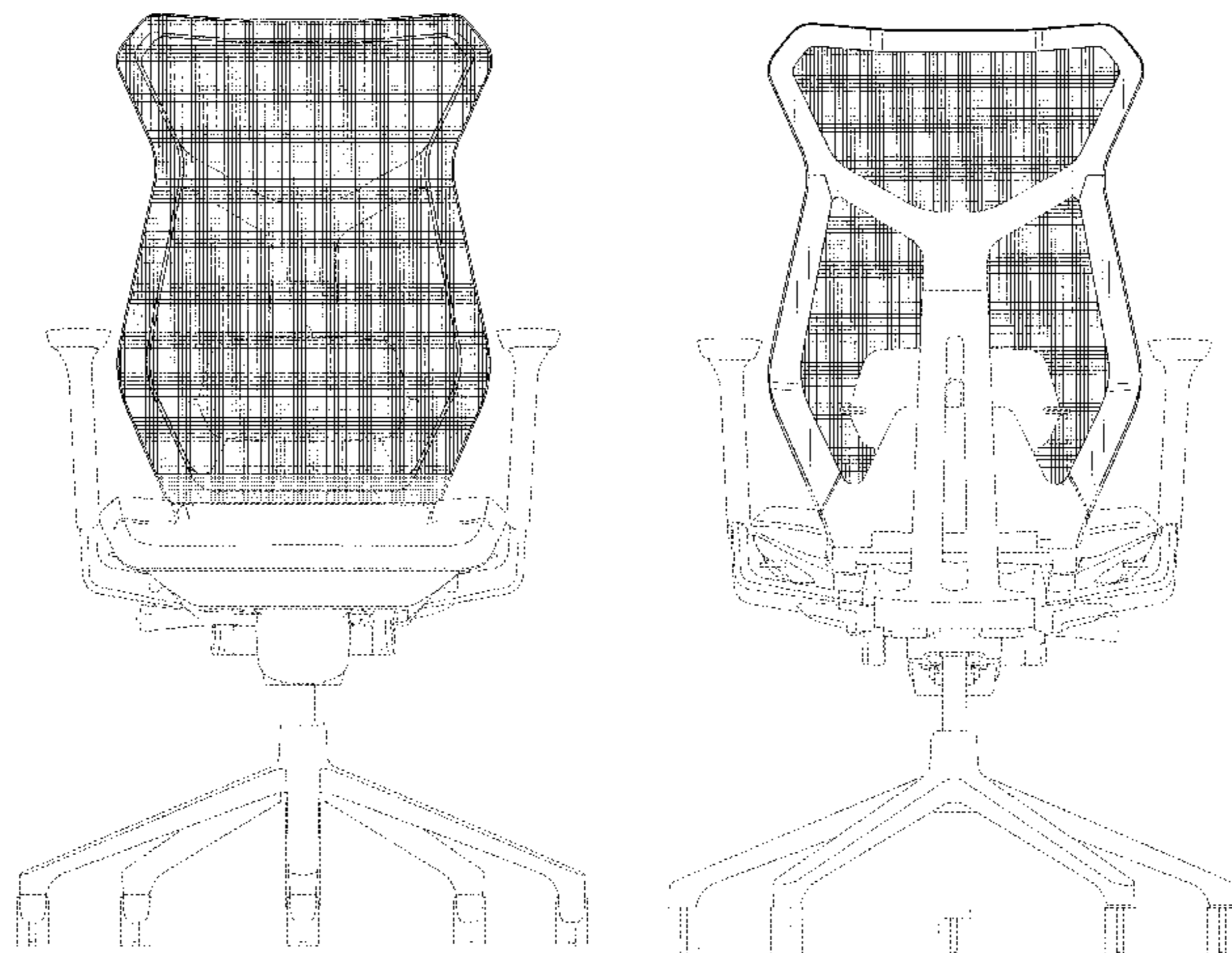


Fig. 1

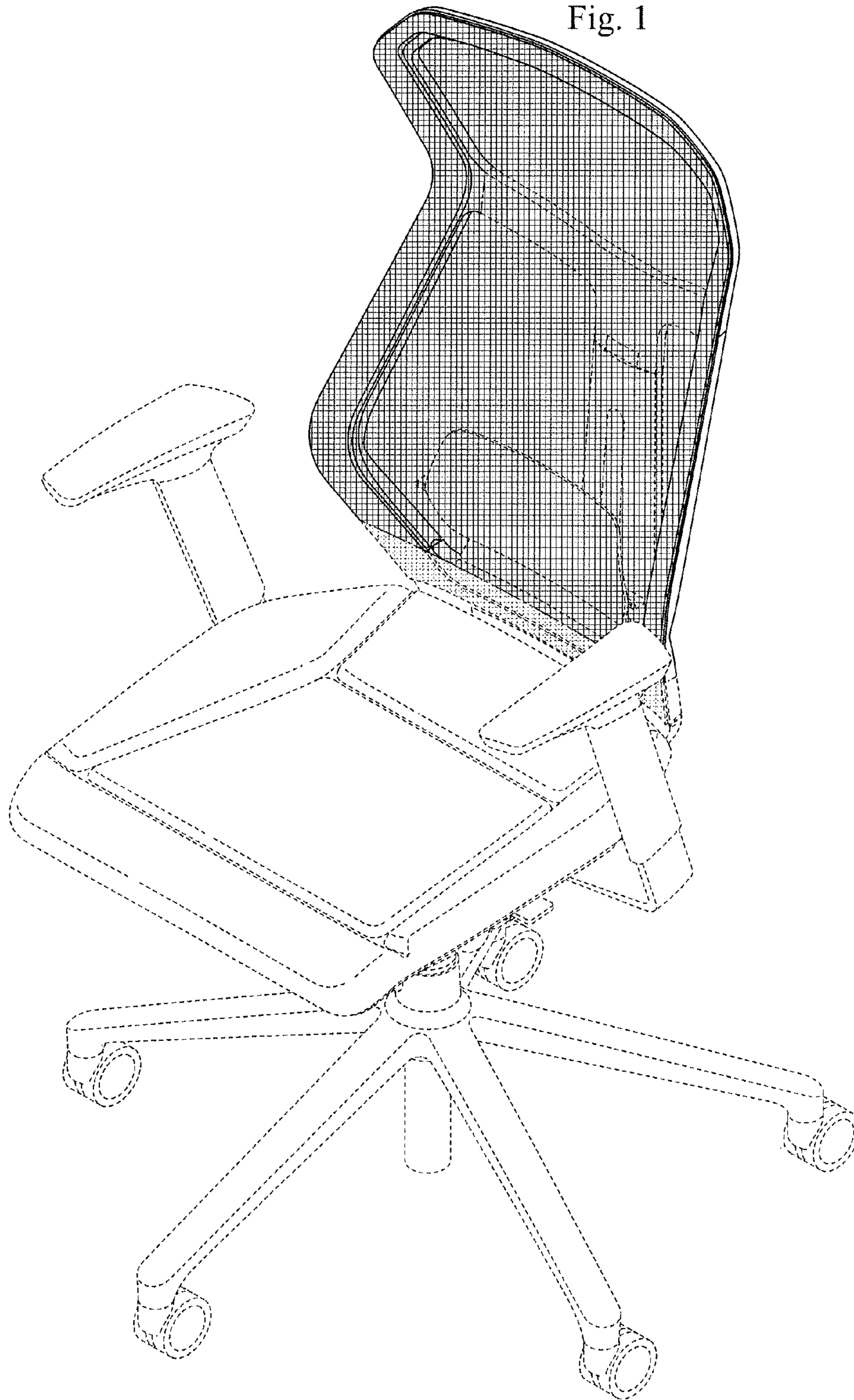


Fig. 2

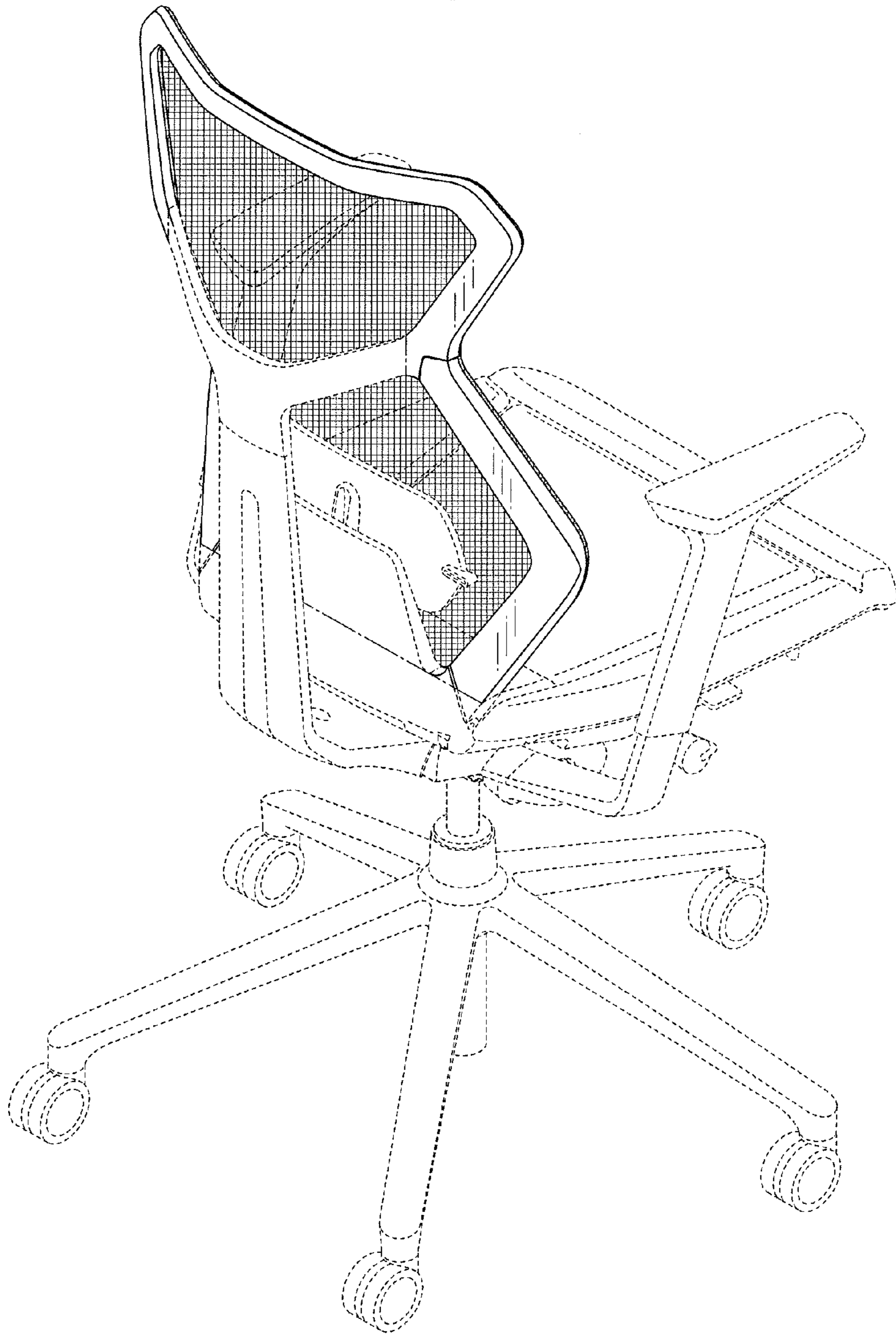


Fig. 3

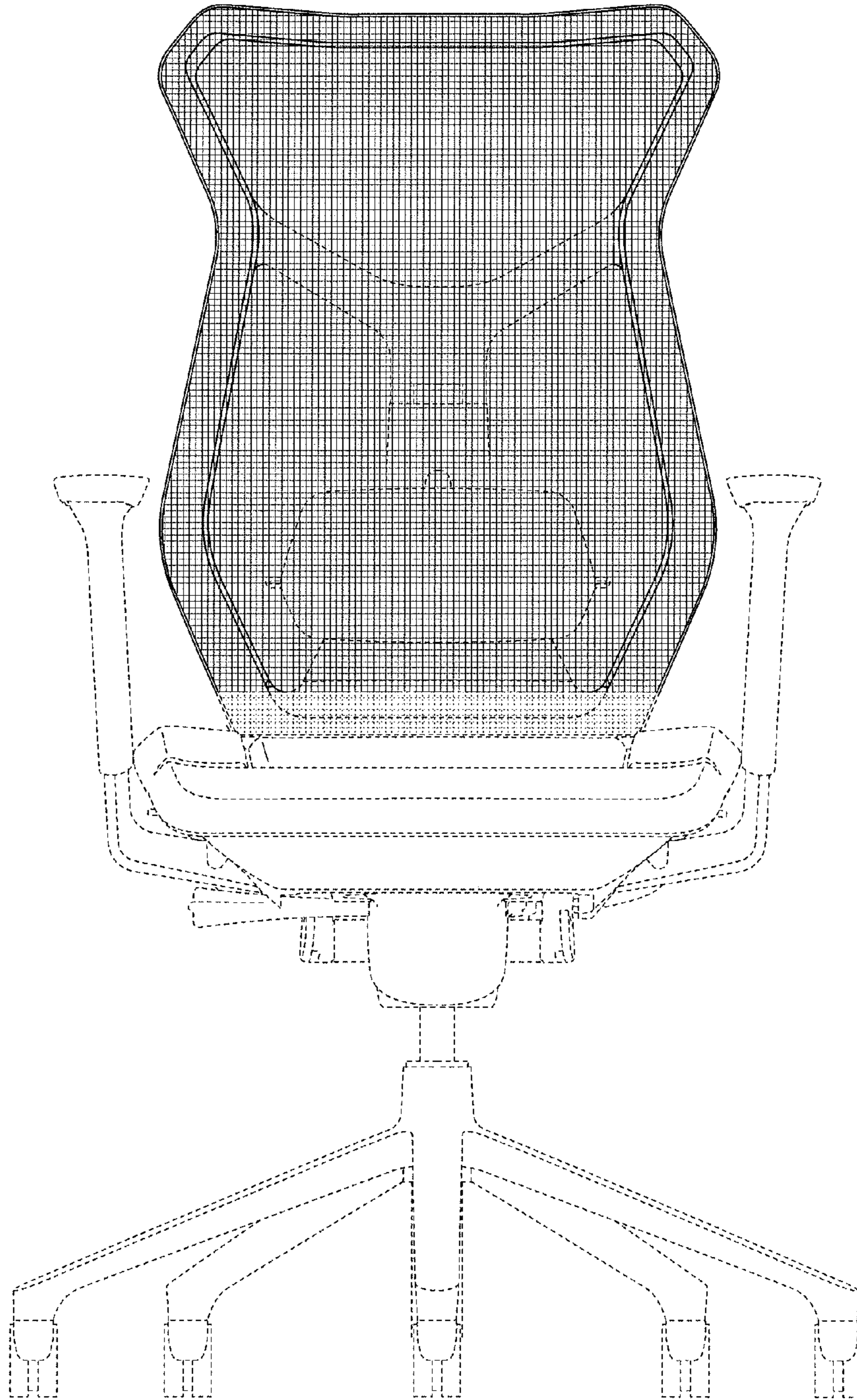


Fig. 4

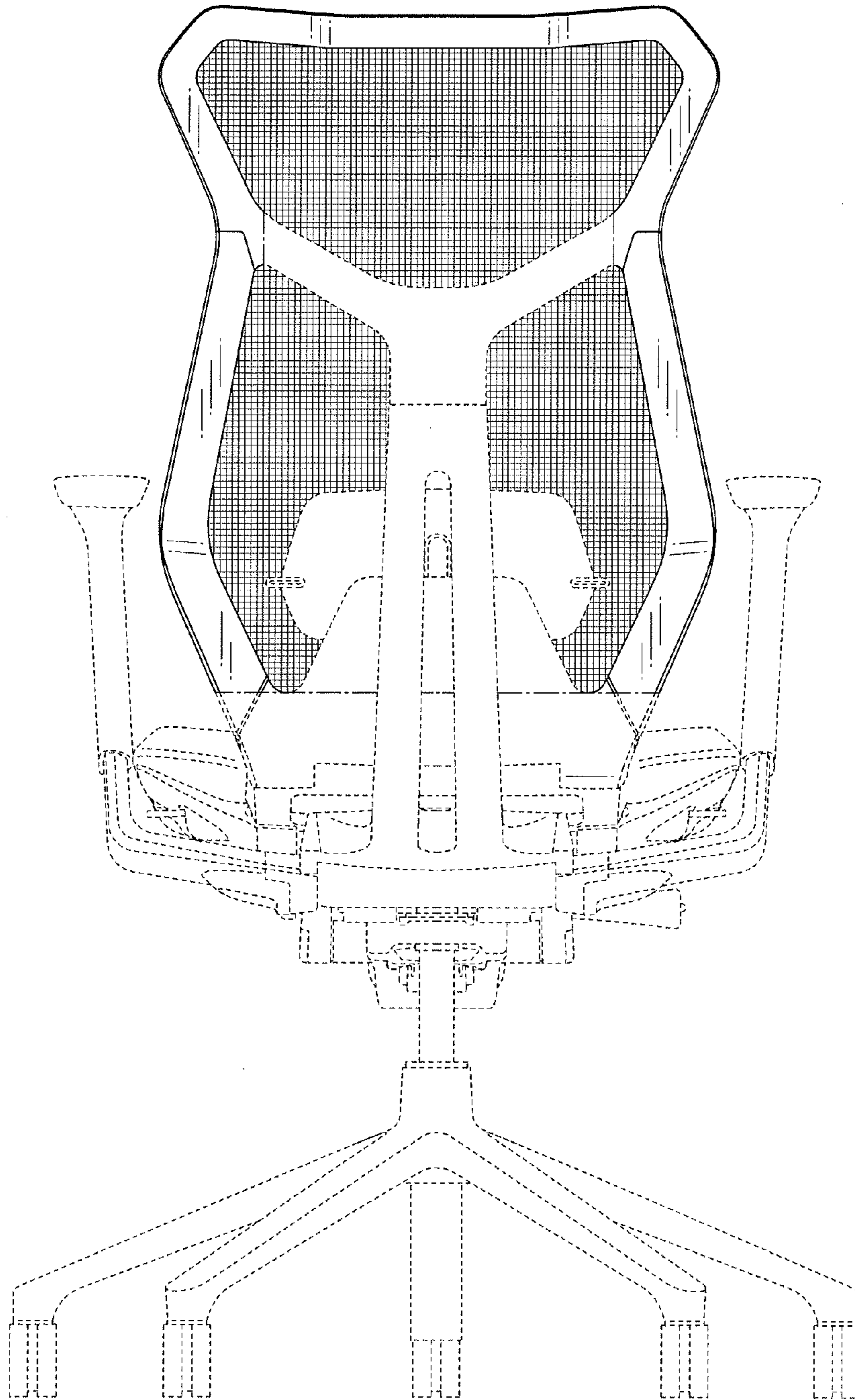


Fig. 5

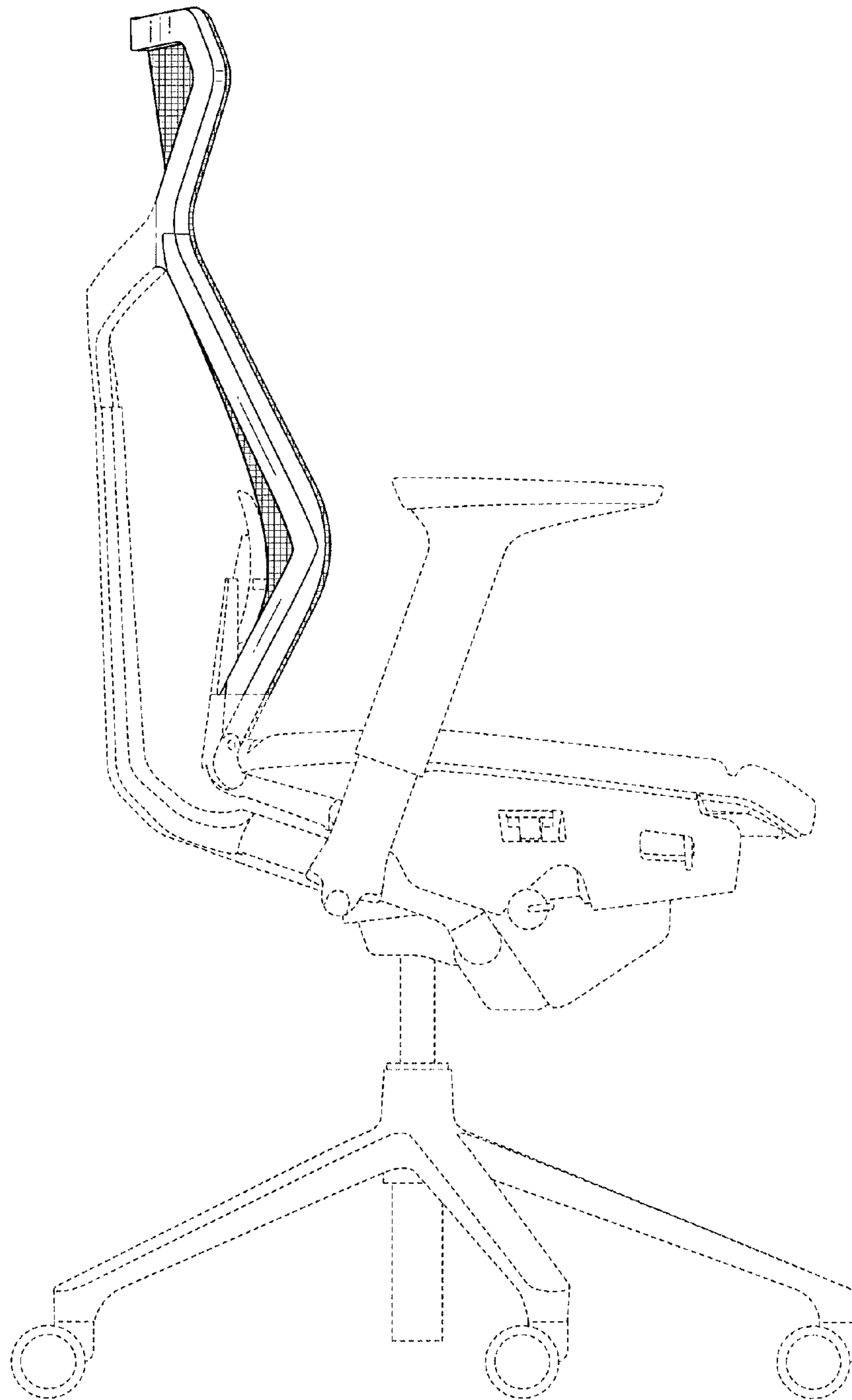


Fig. 6

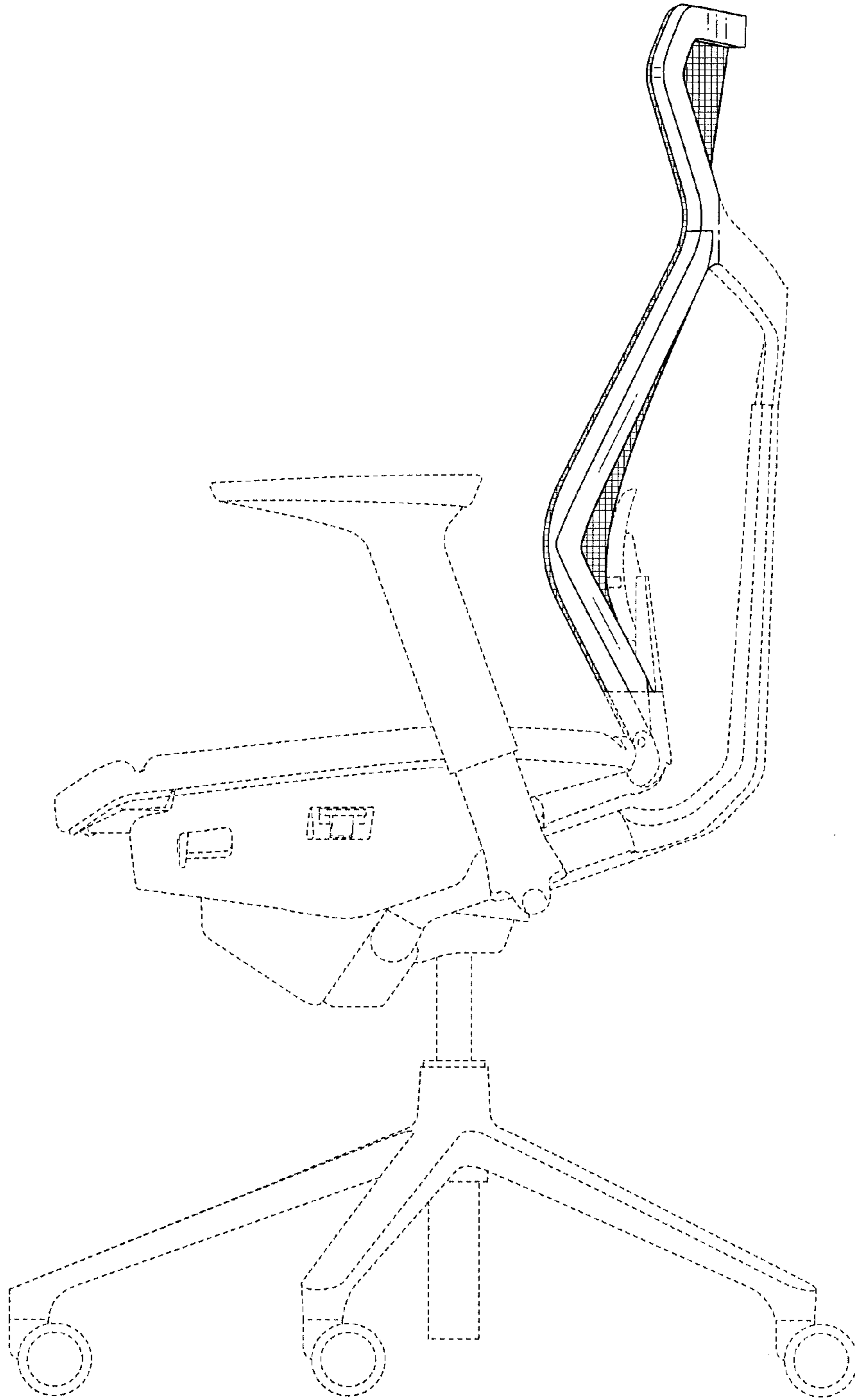


Fig. 7

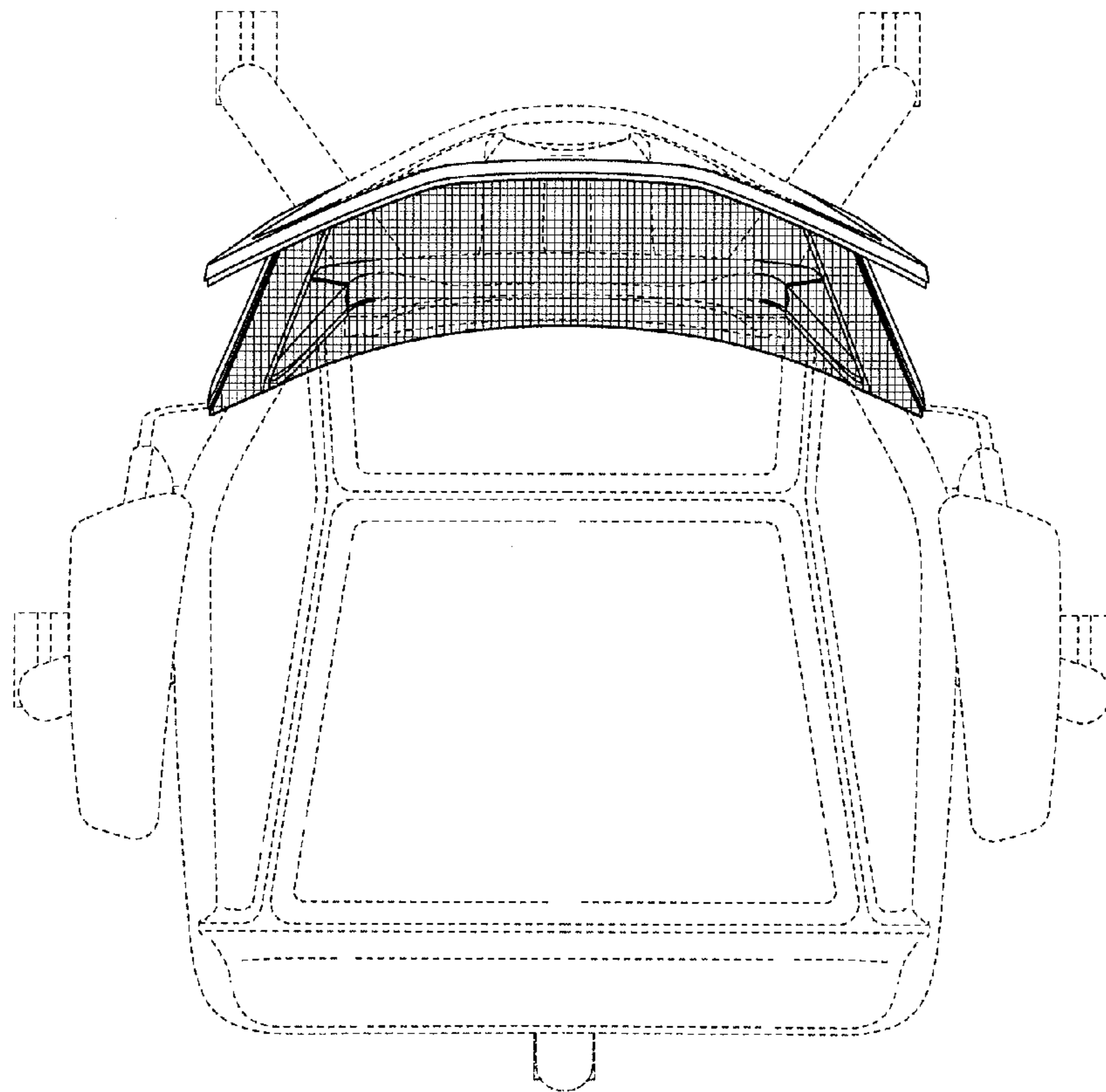


Fig. 8

