



US00D770209S

(12) **United States Design Patent** (10) **Patent No.:** **US D770,209 S**  
**Sander et al.** (45) **Date of Patent:** **\*\* Nov. 1, 2016**

(54) **CHAIR**  
(71) Applicant: **ITOKI CORPORATION**, Osaka-shi, Osaka (JP)  
(72) Inventors: **Armin Sander**, Fuerth (DE); **Peter Horn**, Dresden (DE)  
(73) Assignee: **ITOKI CORPORATION**, Osaka-shi, Osaka (JP)  
(\*\*) Term: **14 Years**  
(21) Appl. No.: **29/508,438**  
(22) Filed: **Nov. 6, 2014**  
(51) **LOC (10) Cl.** ..... **06-01**  
(52) **U.S. Cl.**  
USPC ..... **D6/716.4**  
(58) **Field of Classification Search**  
USPC ..... D6/719, 707.24, 707.19, 716, 702, 707, D6/707.25, 716.4; D25/102, 110, 123, D25/136, 119; 297/452.1, 452.11, 452.12, 297/452.14, 452.29, 452.31, 452.32, 297/452.36, 452.38, 452.46, 452.48, 463.2  
CPC .. A47C 1/024; A47C 1/032; A47C 1/03255; A47C 1/035; A47C 1/16; A47C 1/21; A47C 1/121; A47C 1/124; A47C 7/36; A47C 7/004; A47C 7/56; A47C 7/563; A47C 7/566; A47C 7/40; A47C 3/026  
See application file for complete search history.

(56) **References Cited**  
U.S. PATENT DOCUMENTS  
D273,730 S \* 5/1984 Cafiero ..... D6/366  
D297,995 S \* 10/1988 Stulik ..... D6/356  
D540,574 S \* 4/2007 Johnson ..... D6/366  
D545,583 S \* 7/2007 Huang ..... D6/366  
D557,028 S \* 12/2007 Su ..... D6/366

8,702,171 B2 \* 4/2014 van Hekken ..... A47C 3/12 297/296  
D723,851 S \* 3/2015 Plikat ..... D6/366  
2016/0100691 A1 \* 4/2016 Masunaga ..... A47C 7/462 297/285

**OTHER PUBLICATIONS**  
U.S. Appl. No. 29/508,442, filed Nov. 6, 2014, Sander.  
U.S. Appl. No. 29/508,439, filed Nov. 6, 2014, Sander.

\* cited by examiner  
*Primary Examiner* — Rosemary K Tarcza  
*Assistant Examiner* — Christy Nemeth  
(74) *Attorney, Agent, or Firm* — Drinker Biddle & Reath LLP

(57) **CLAIM**  
The ornamental design for a chair, as shown and described.

**DESCRIPTION**  
FIG. 1 is a perspective view of the top, front and right side of a chair showing our new design;  
FIG. 2 is a perspective view of the top, rear and left side thereof;  
FIG. 3 is a front view thereof;  
FIG. 4 is a rear view thereof;  
FIG. 5 is a left side view thereof;  
FIG. 6 is a right side view thereof;  
FIG. 7 is a top view thereof; and,  
FIG. 8 is a bottom view thereof.  
The dashed broken lines in the drawings illustrate unclaimed portions of the chair and form no part of the claimed design. The dot-dashed lines in FIGS. 1,2,4-6, and 8 show the boundary between claimed and unclaimed subject matter and form no part of the claimed design.

**1 Claim, 8 Drawing Sheets**

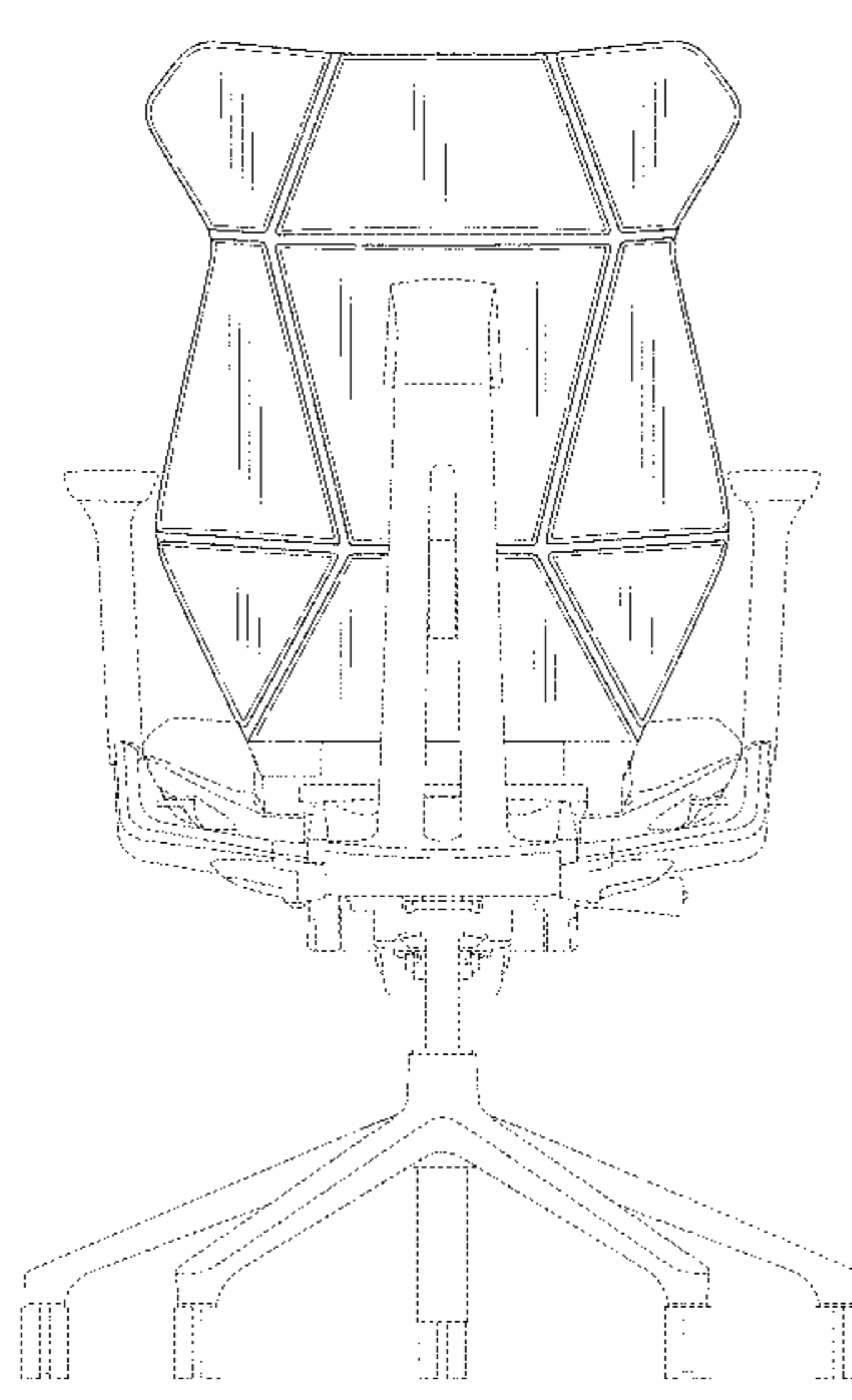
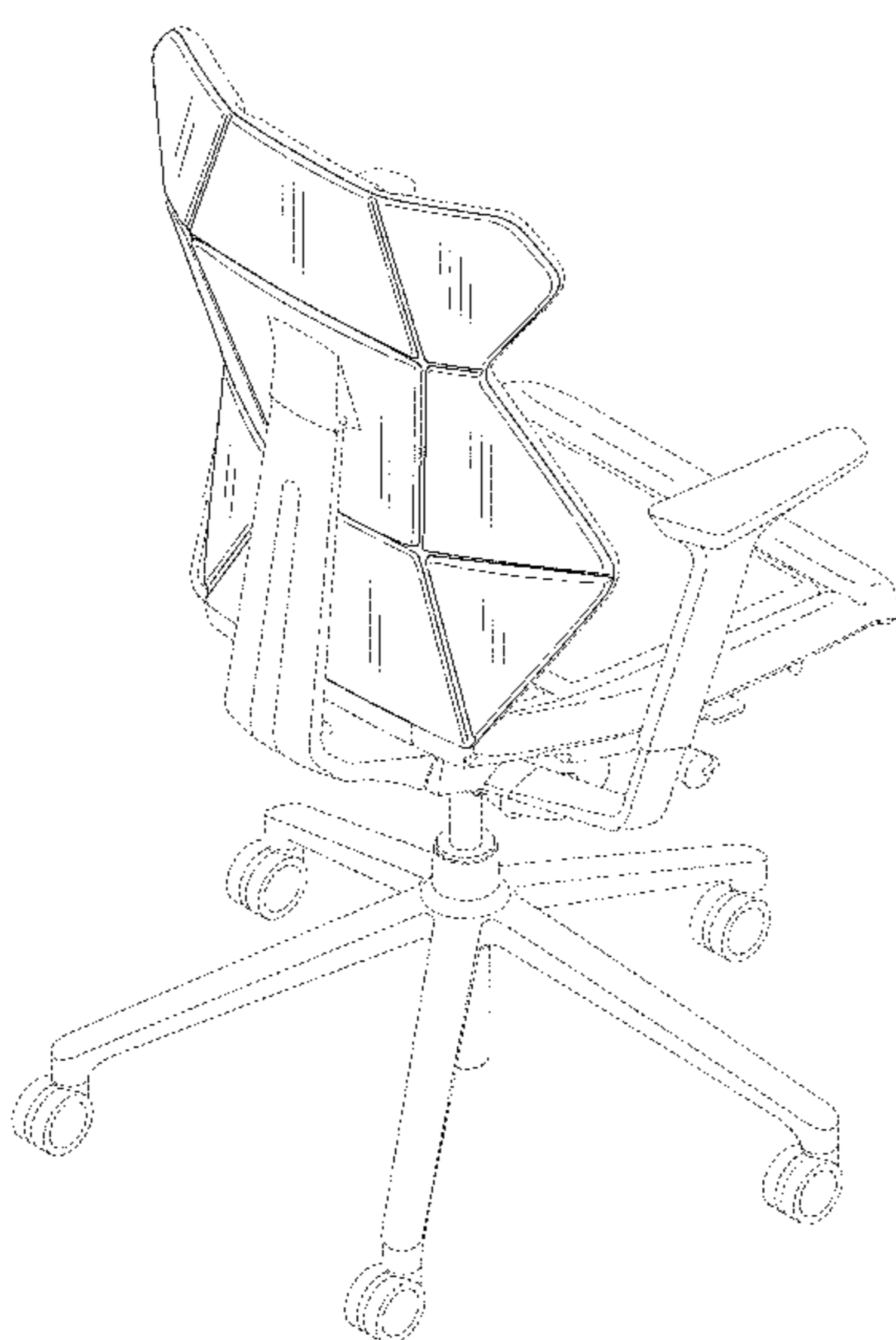


Fig. 1

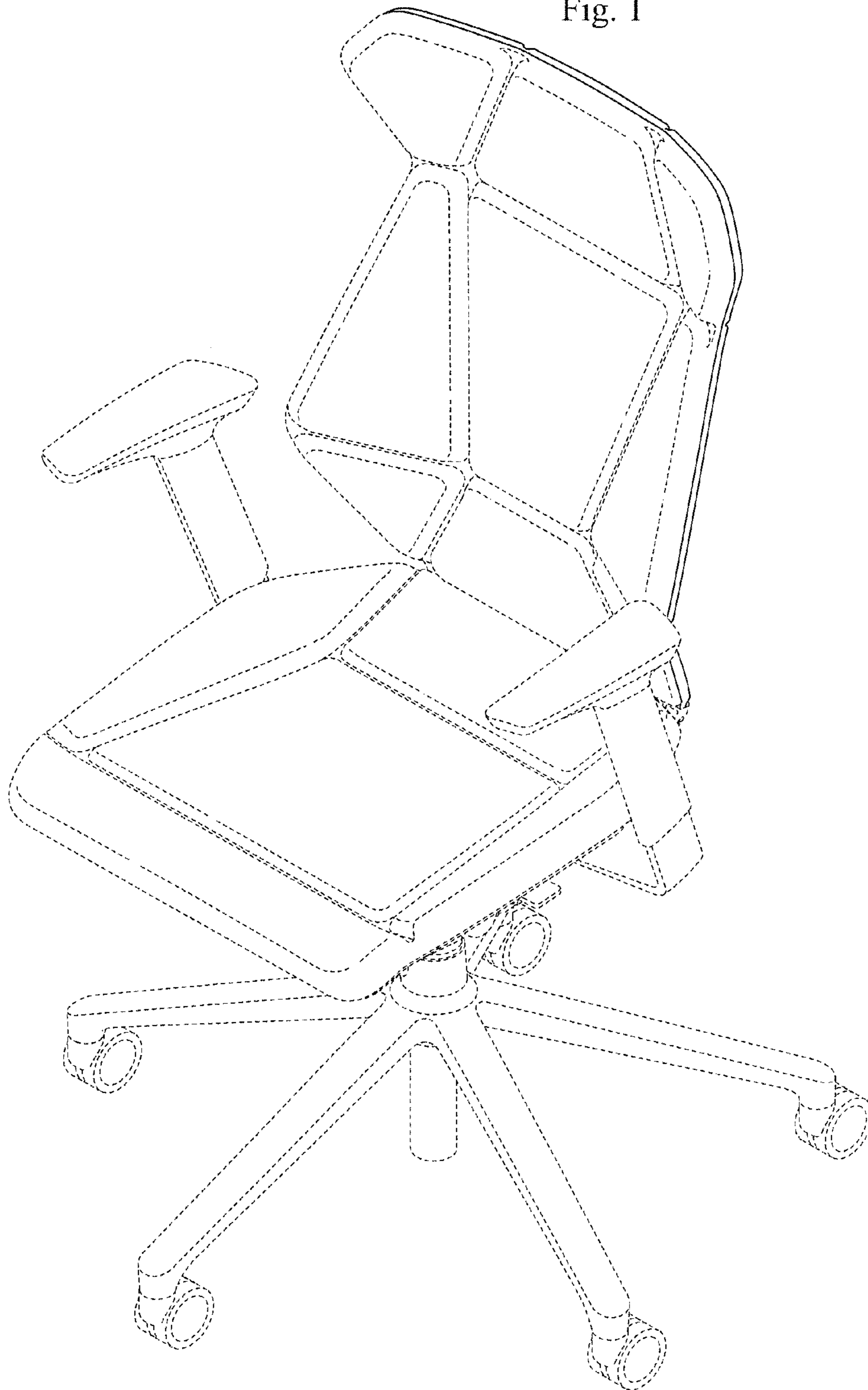


Fig. 2



Fig. 3

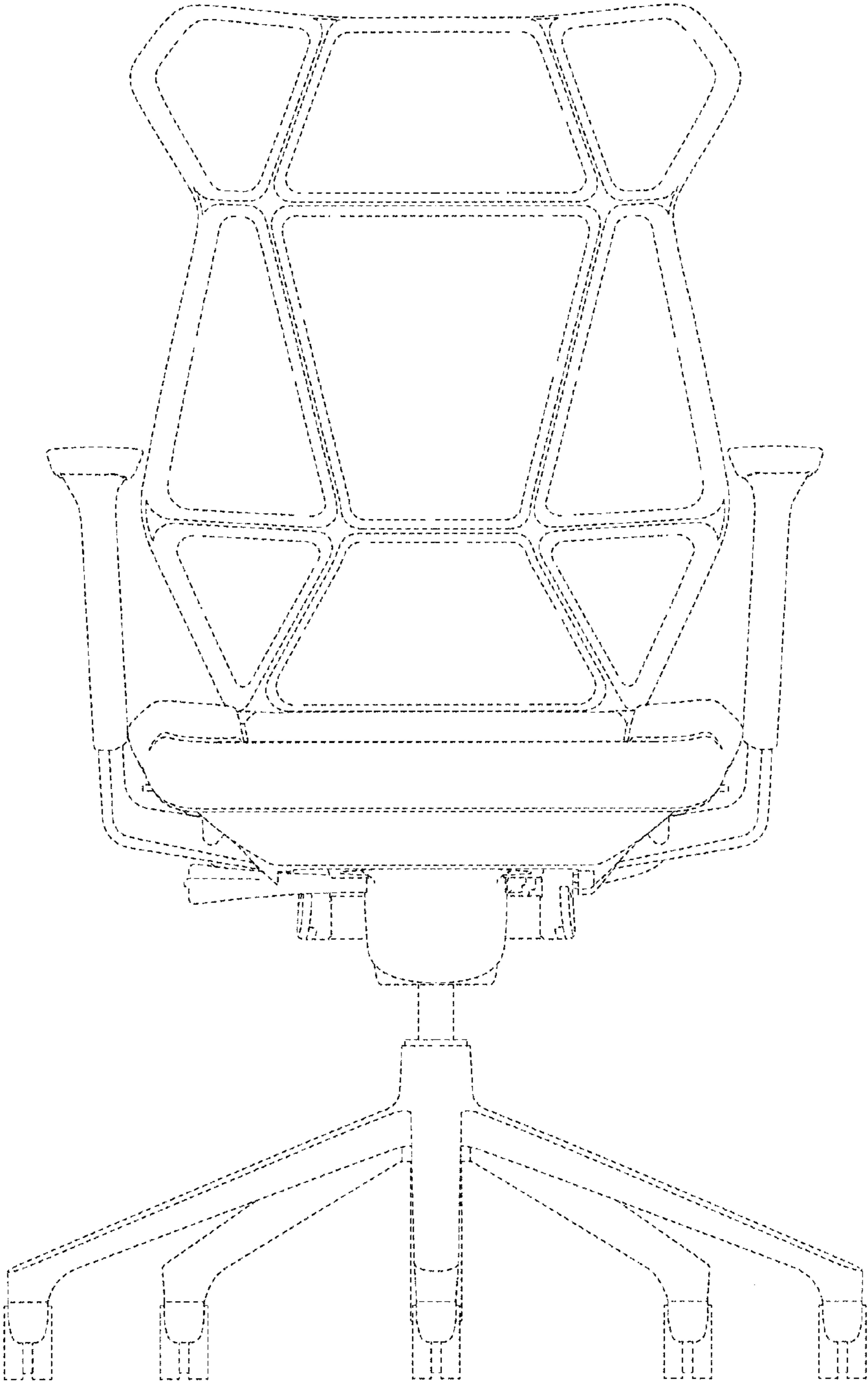




Fig. 4

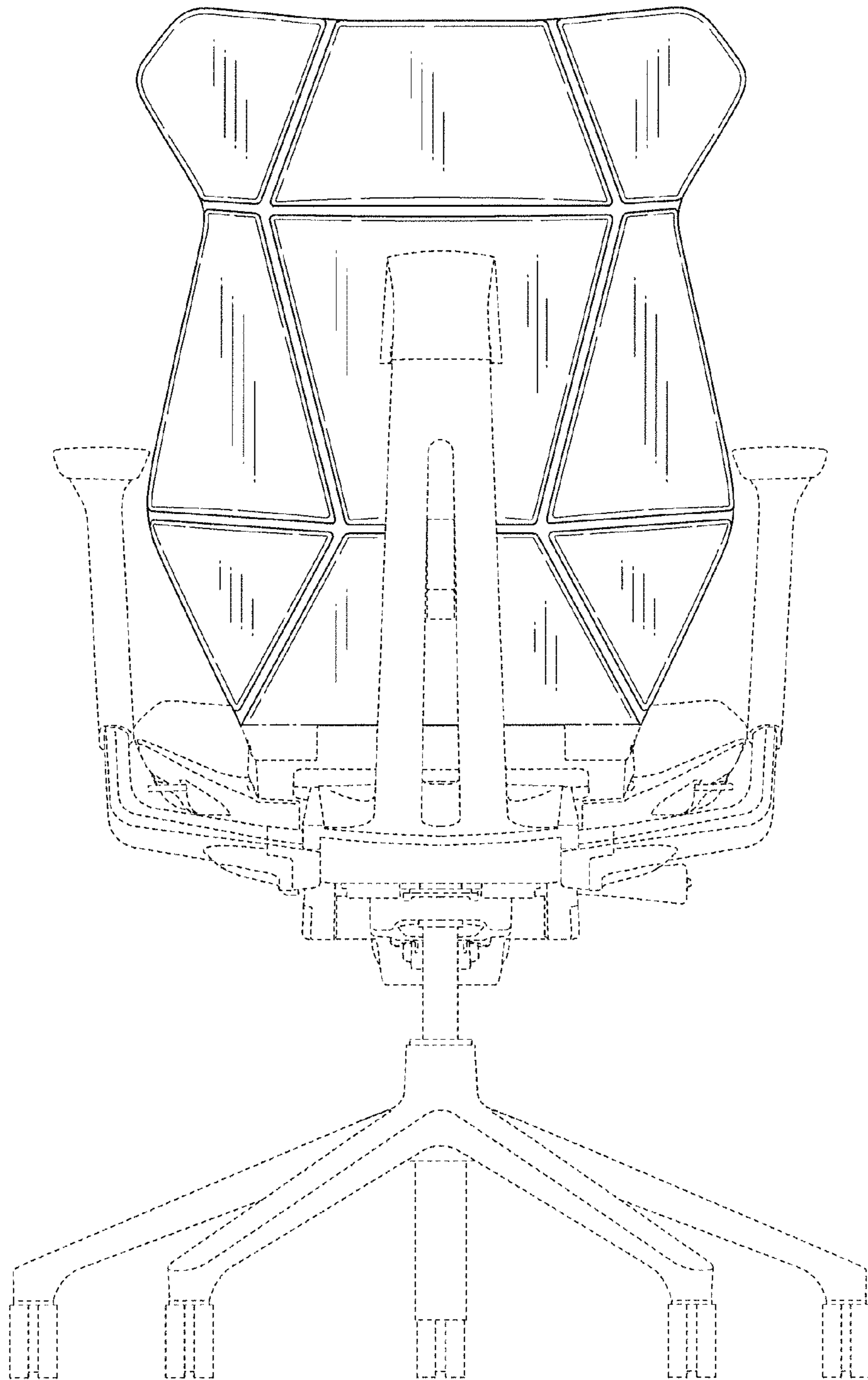


Fig. 5

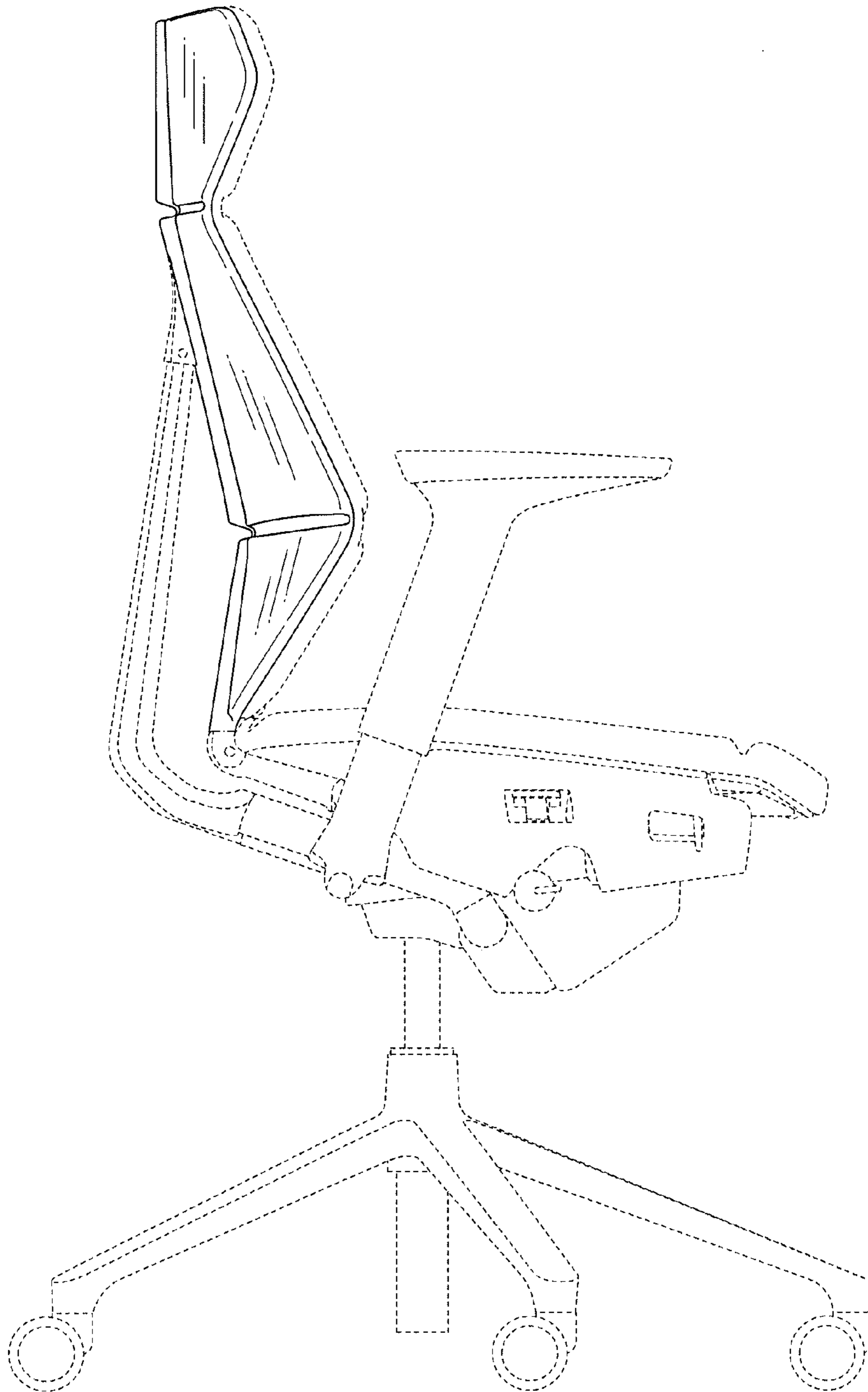


Fig. 6

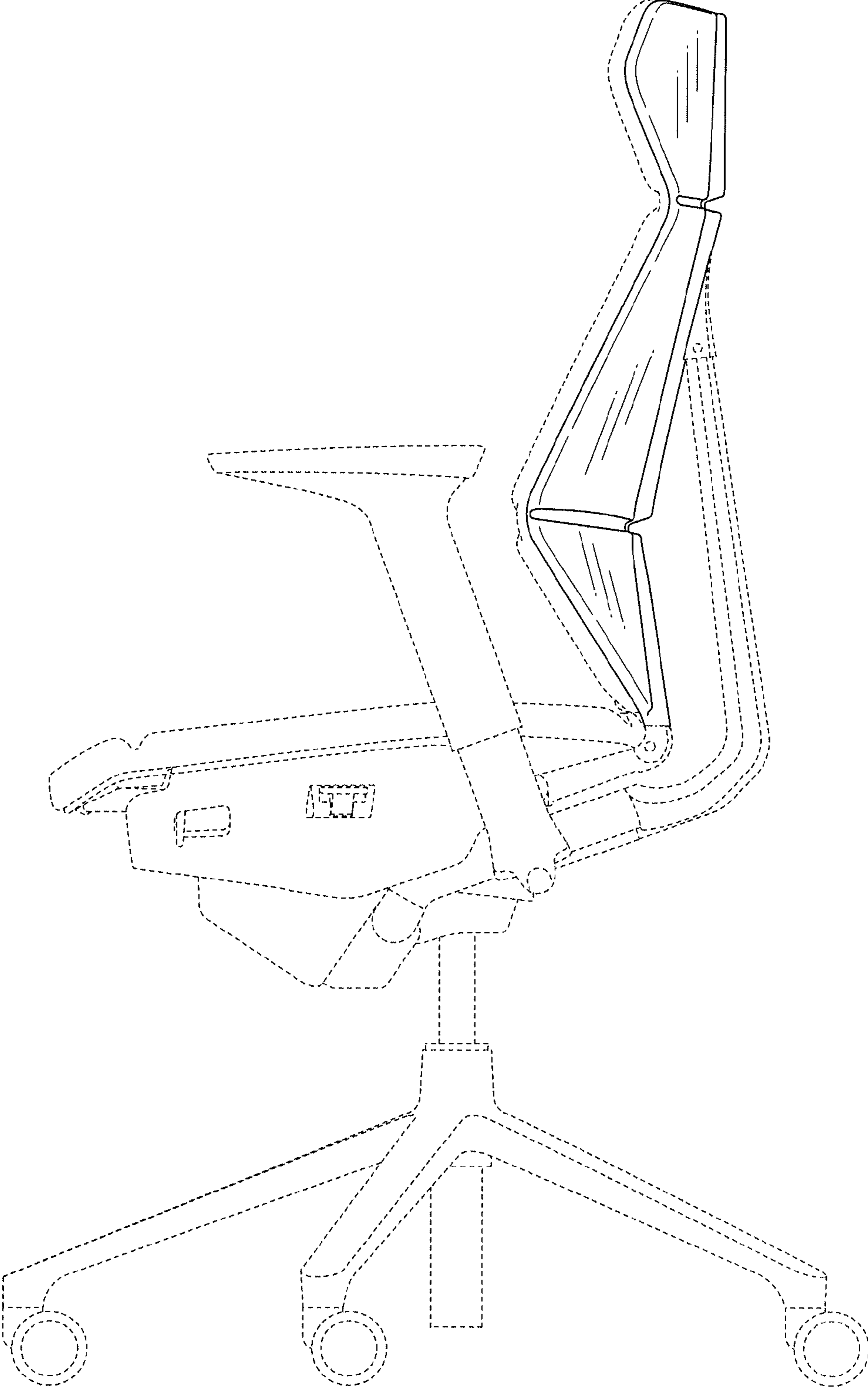


Fig. 7

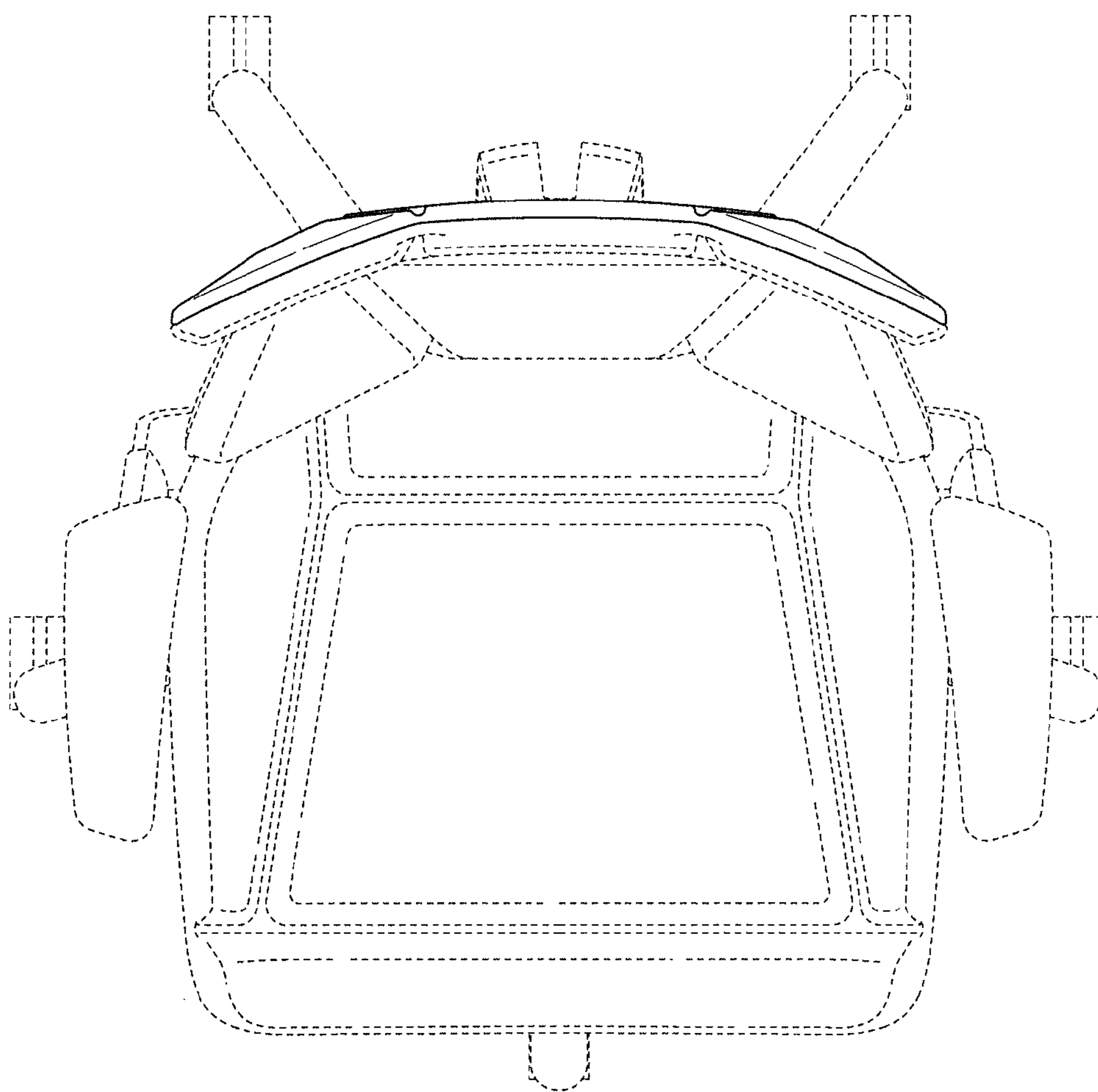




Fig. 8

