



US00D770208S

(12) **United States Design Patent** (10) **Patent No.:** **US D770,208 S**
Muller (45) **Date of Patent:** **** Nov. 1, 2016**

(54) **TABLE**

(71) Applicant: **Elite Manufacturing Corporation**,
Santa Fe Springs, CA (US)

(72) Inventor: **Carl Muller**, Huntington Beach, CA
(US)

(73) Assignee: **Elite Manufacturing Corporation**,
Santa Fe Springs, CA (US)

(**) Term: **14 Years**

(21) Appl. No.: **29/511,841**

(22) Filed: **Dec. 15, 2014**

(51) **LOC (10) Cl.** **06-06**

(52) **U.S. Cl.**
USPC **D6/708**

(58) **Field of Classification Search**
USPC D6/685, 692, 692.4, 696.3, 697.1, 708,
D6/708.16, 708.23

CPC A47B 7/00; A47B 13/00; A47B 13/02;
A47B 13/04; A47B 13/06; A47B 13/0021;
A47B 2200/0011; A47B 2200/0016; A47B
2013/025; A47B 3/02; A47B 2003/006;
A47B 3/12; F16M 11/00

See application file for complete search history.

(56) **References Cited**

U.S. PATENT DOCUMENTS

410,947	A *	9/1889	Vosburgh	A47B 3/12 248/431
451,795	A *	5/1891	Anderson	A47B 3/12 159/28.2
2,759,780	A *	8/1956	Barker, Jr.	A47B 3/12 108/157.17
3,074,771	A *	1/1963	Wilson	A47B 9/00 108/12
D196,370	S *	9/1963	Wilson	D6/708
D311,840	S *	11/1990	Glendinning	D6/708
D566,996	S *	4/2008	Muller	D6/708
D566,997	S *	4/2008	Muller	D6/708
8,418,982	B1 *	4/2013	Vatus	A47B 13/02 108/158.12

* cited by examiner

Primary Examiner — Mary Ann Calabrese

(74) Attorney, Agent, or Firm — Stetina Brunda Garred &
Brucker

(57) **CLAIM**

The ornamental design for a table, as shown and described.

DESCRIPTION

FIG. 1 is a front perspective view of the table of the present invention showing my new design with the dotted lines depicting environmental structure and forming no part of the claimed design;

FIG. 2 is a top plan view thereof;

FIG. 3 is a side elevational view thereof;

FIG. 4 is a bottom plan view thereof;

FIG. 5 is a front elevational view thereof;

FIG. 6 is a front perspective view of a second embodiment of the table of the present invention showing my new design with the dotted lines depicting environmental structure and forming no part of the claimed design;

FIG. 7 is a top plan view thereof;

FIG. 8 is a side elevational view thereof;

FIG. 9 is a bottom plan view thereof;

FIG. 10 is a front elevational view thereof;

FIG. 11 is a front perspective view of a third embodiment of the table of the present invention showing my new design with the dotted lines depicting environmental structure and forming no part of the claimed design;

FIG. 12 is a top plan view thereof;

FIG. 13 is a side elevational view thereof;

FIG. 14 is bottom plan view thereof;

FIG. 15 is a front elevational view thereof;

FIG. 16 is a front perspective view of a fourth embodiment of the table of the present invention showing my new design with the dotted lines depicting environmental structure and forming no part of the claimed design;

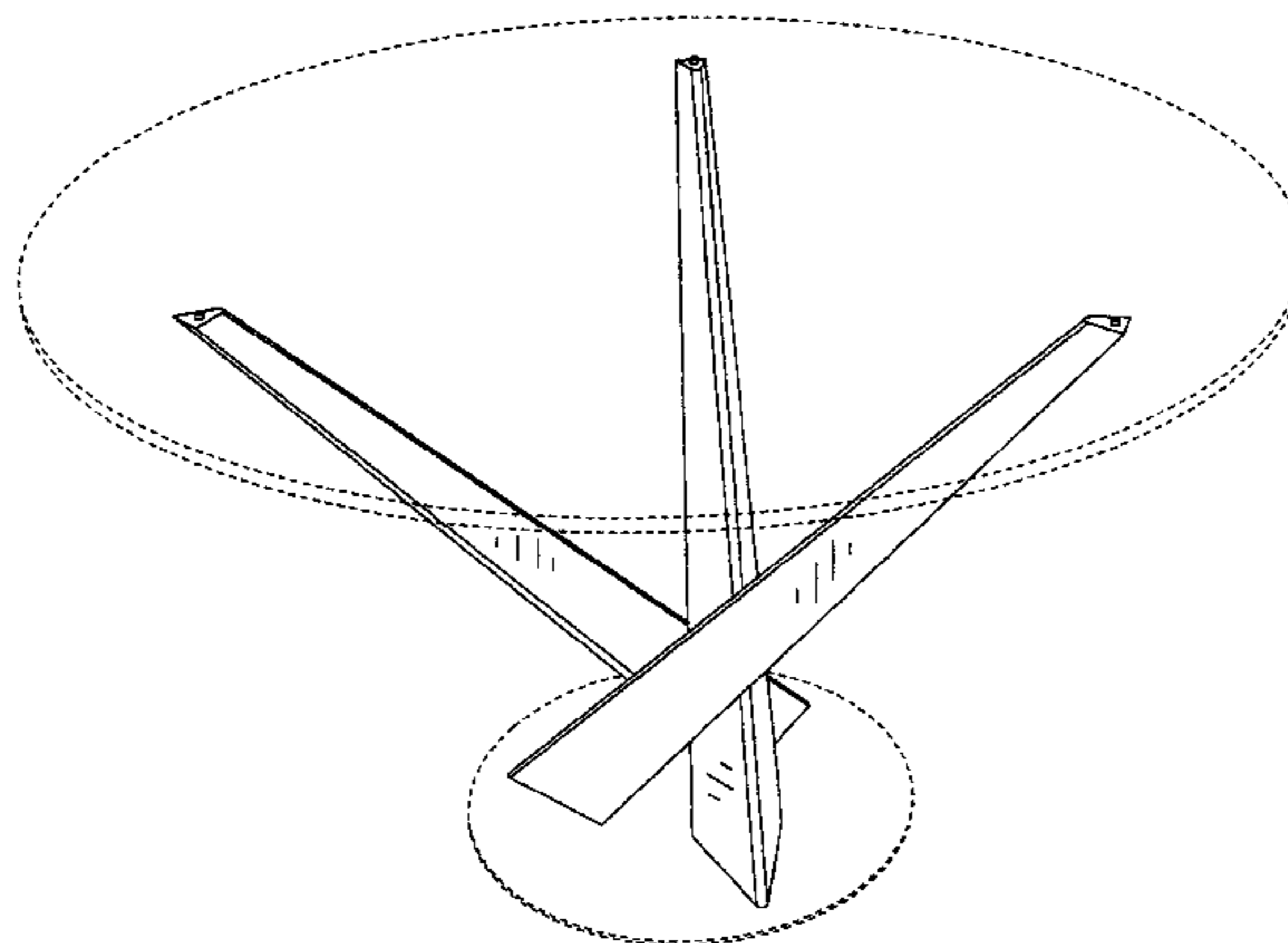
FIG. 17 is a top plan view thereof;

FIG. 18 is a side elevational view thereof;

FIG. 19 is a bottom plan view thereof; and,

FIG. 20 is a front elevational view thereof.

1 Claim, 11 Drawing Sheets



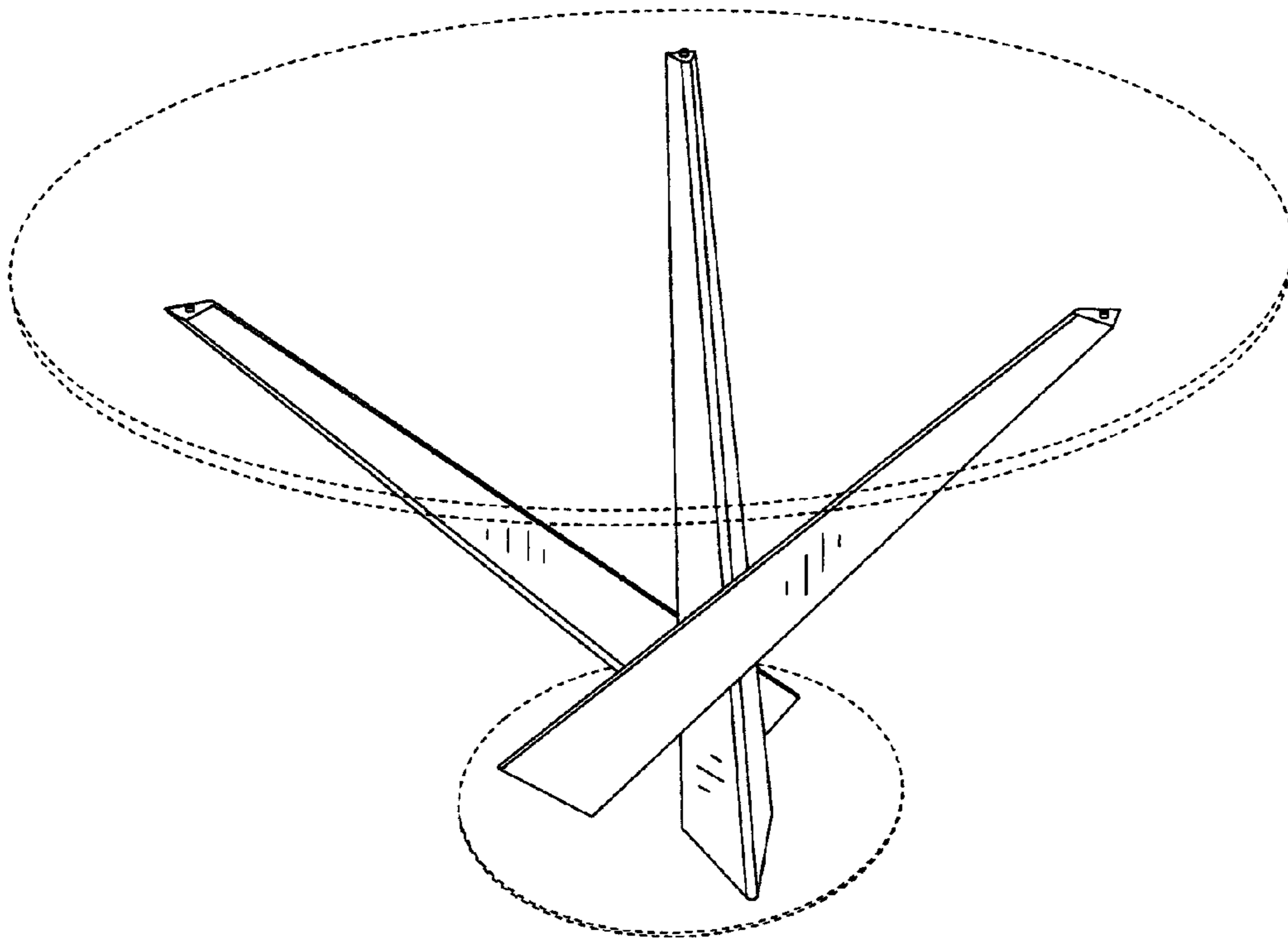


FIG. 1

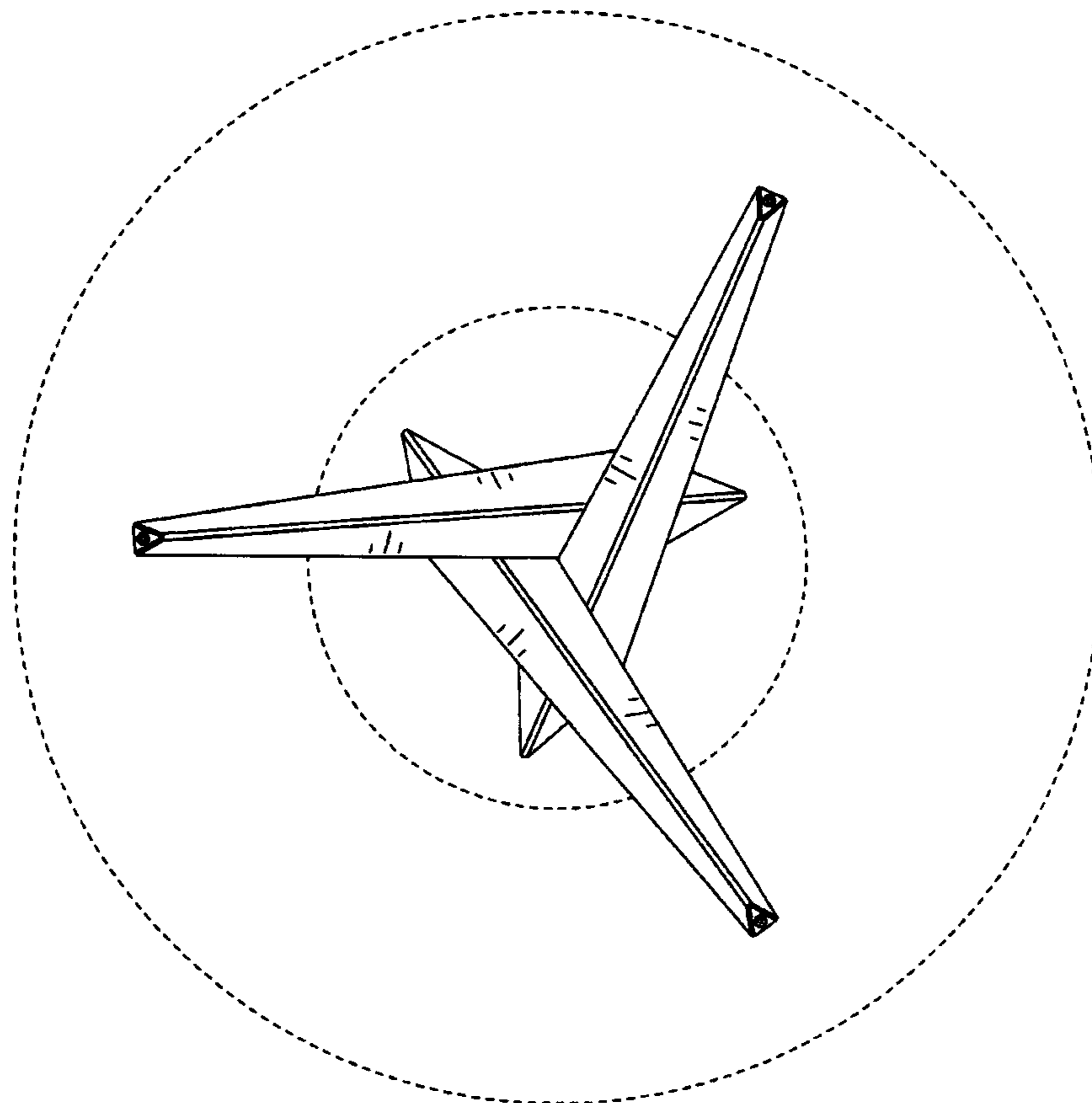


FIG. 2

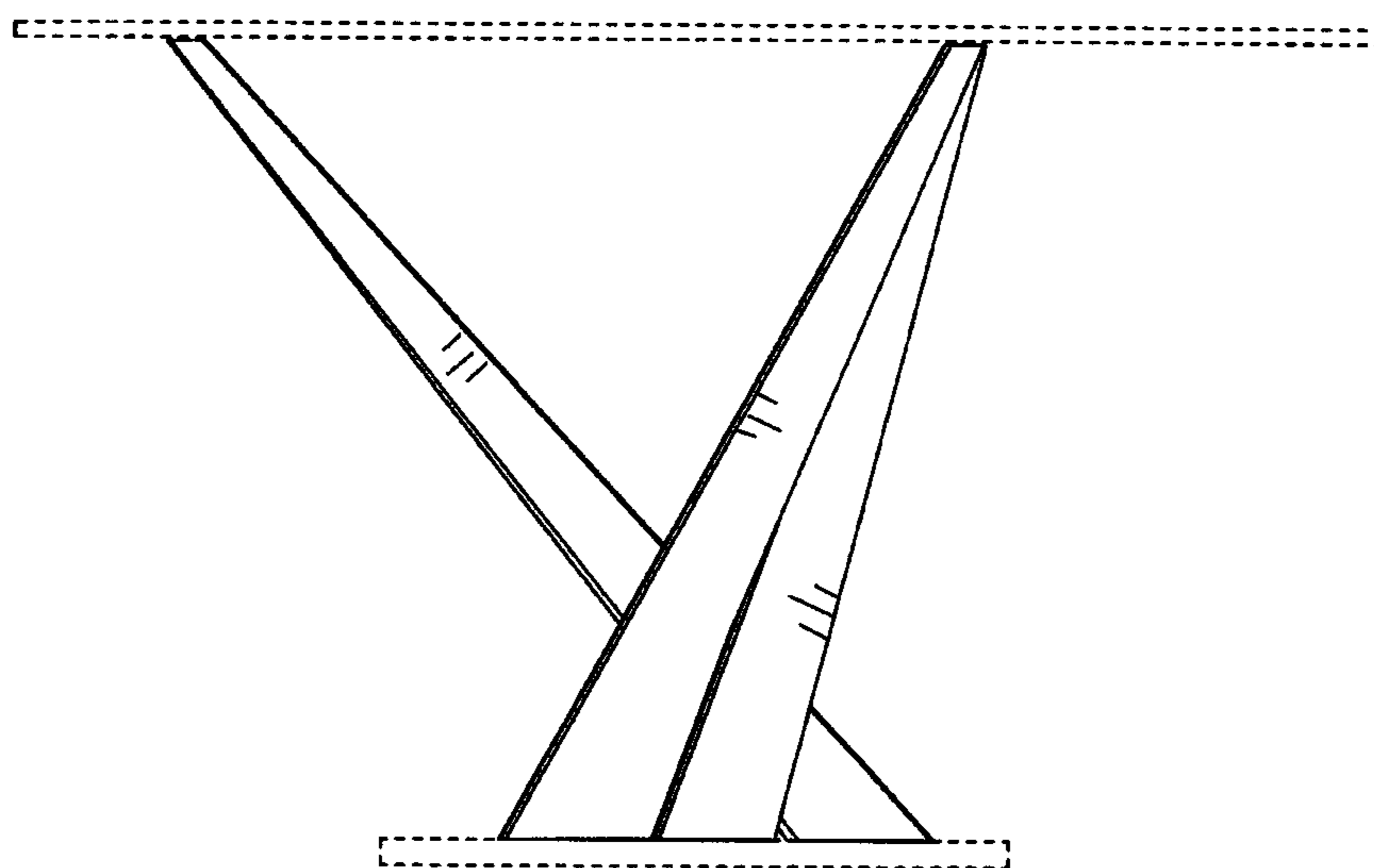


FIG. 3

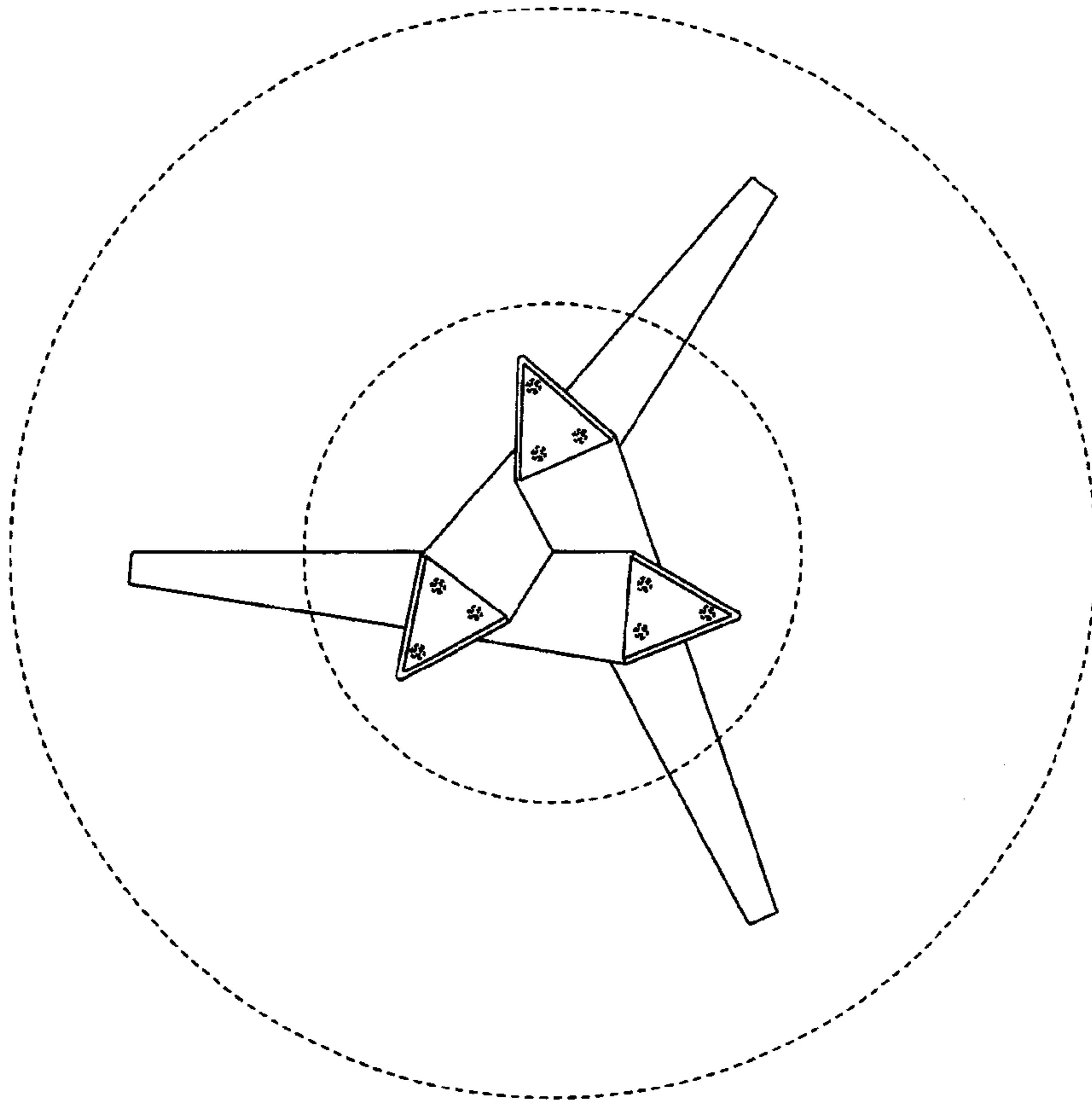


FIG. 4

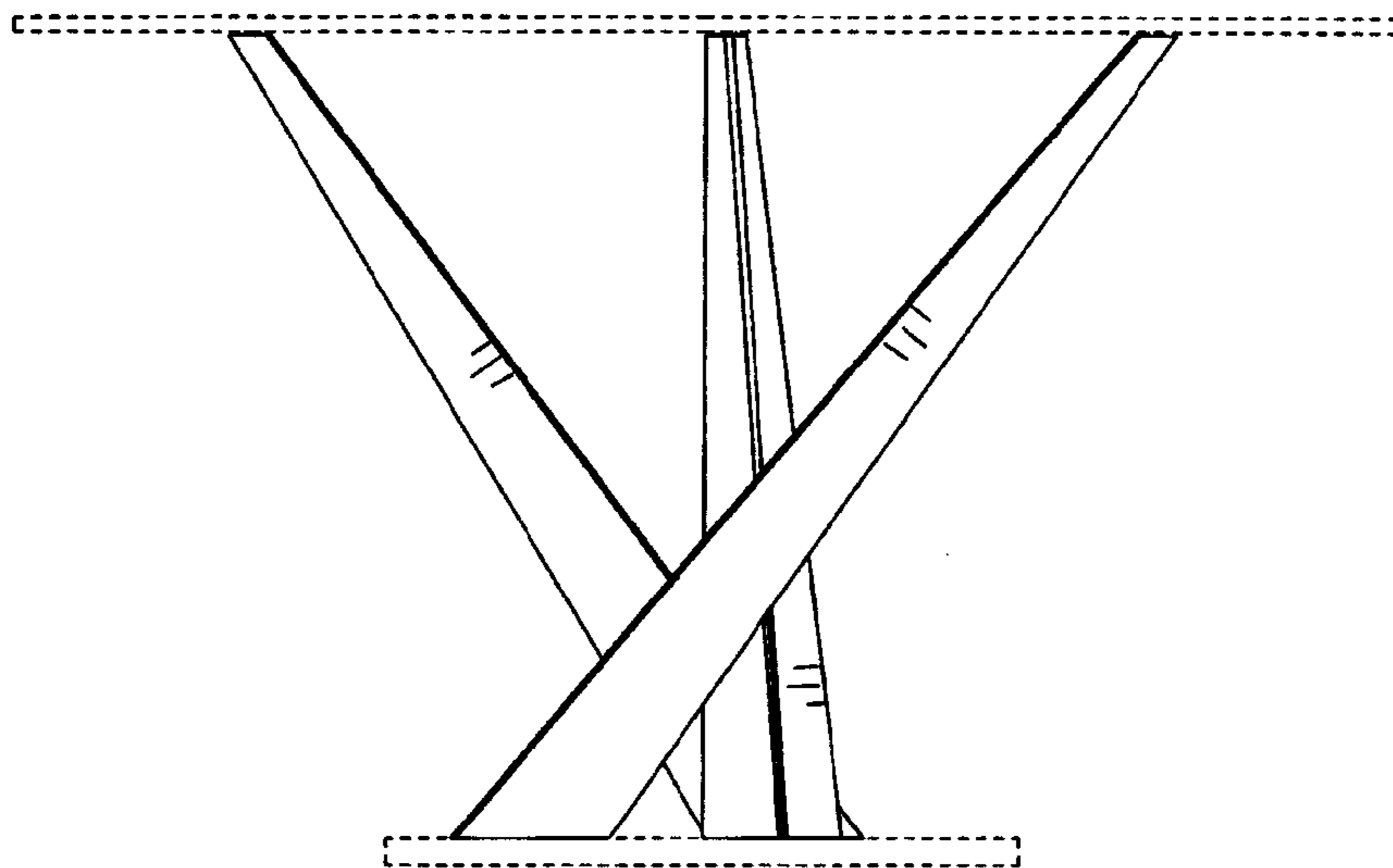


FIG. 5

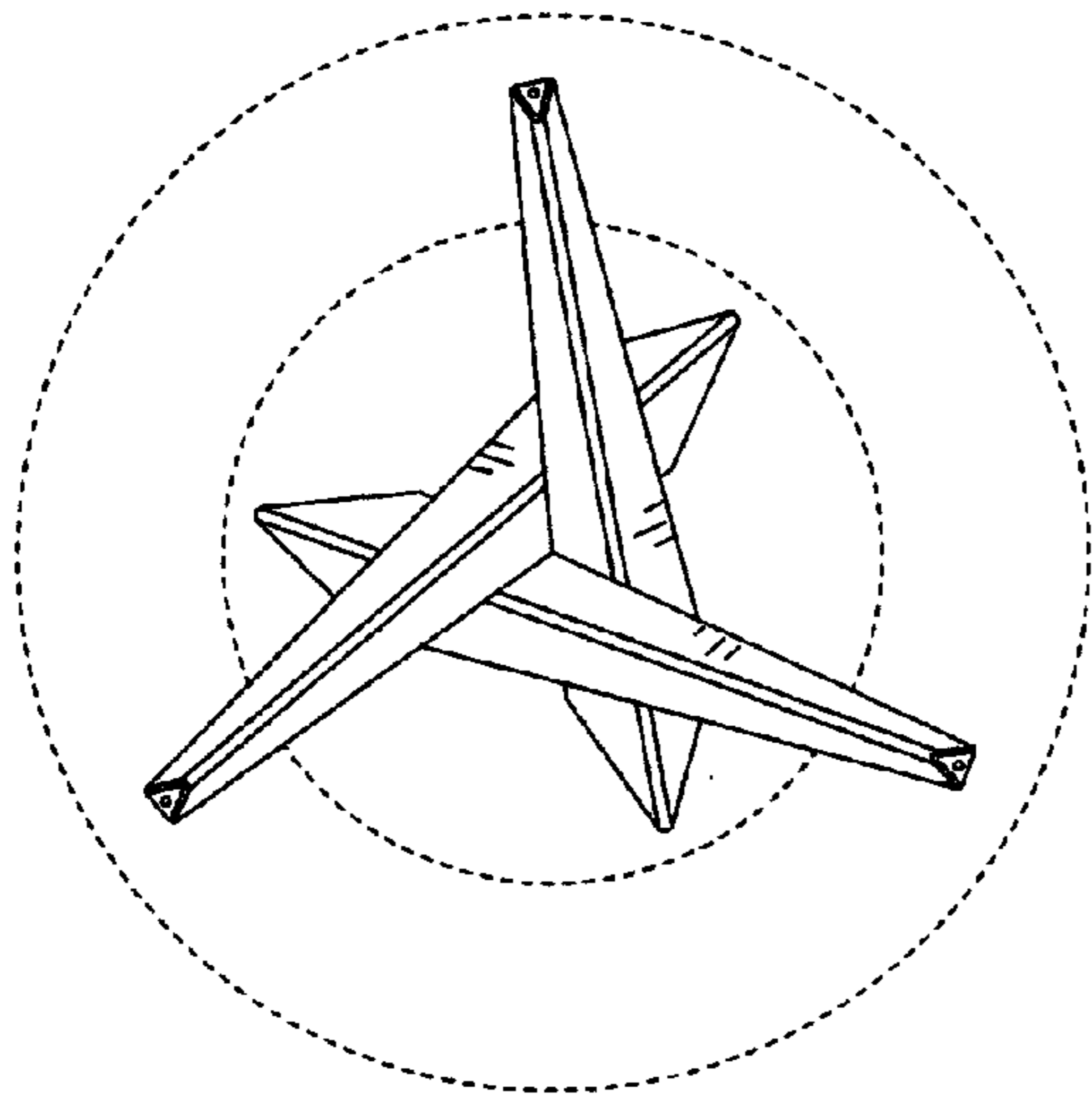


FIG. 7

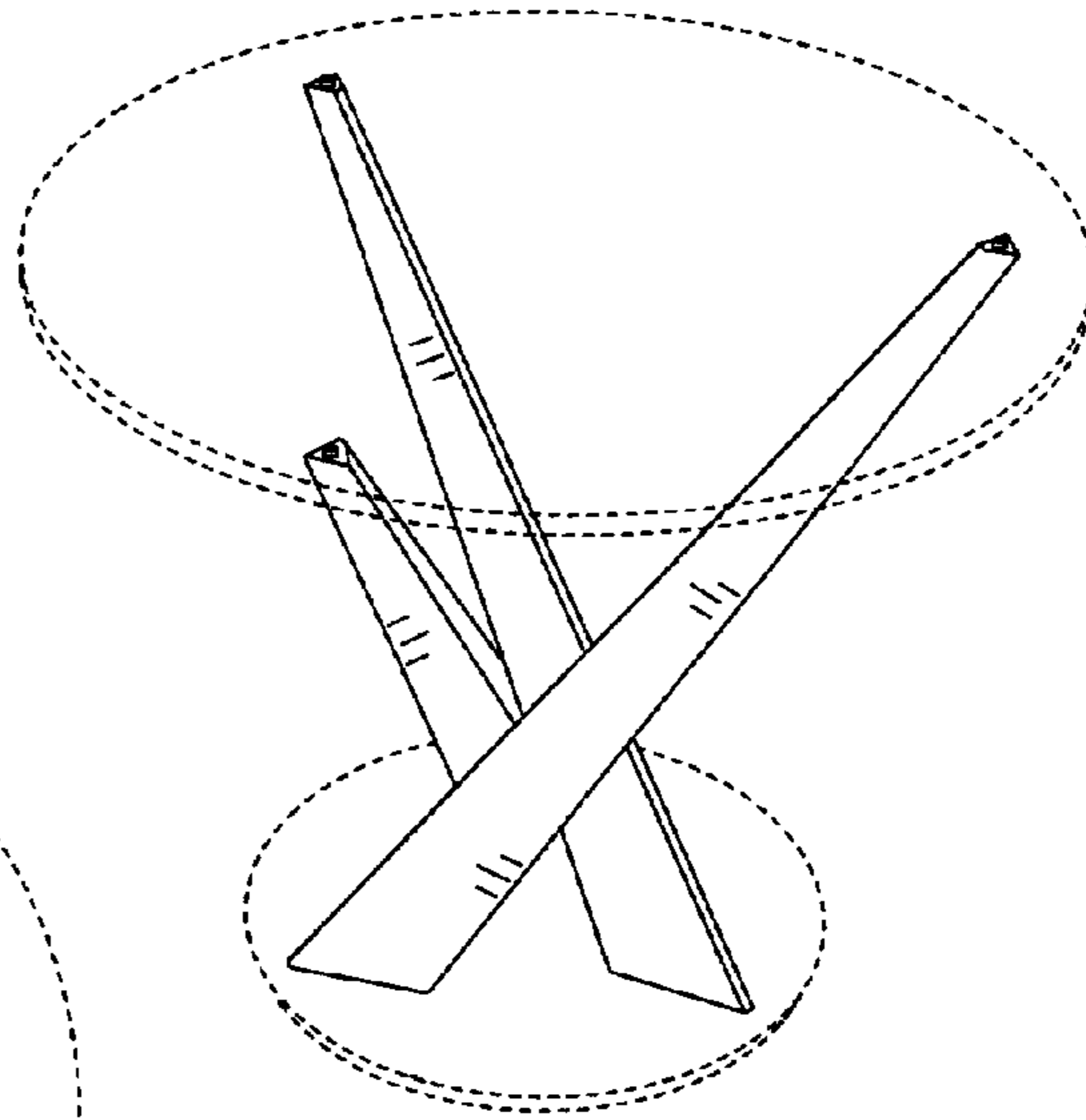


FIG. 6

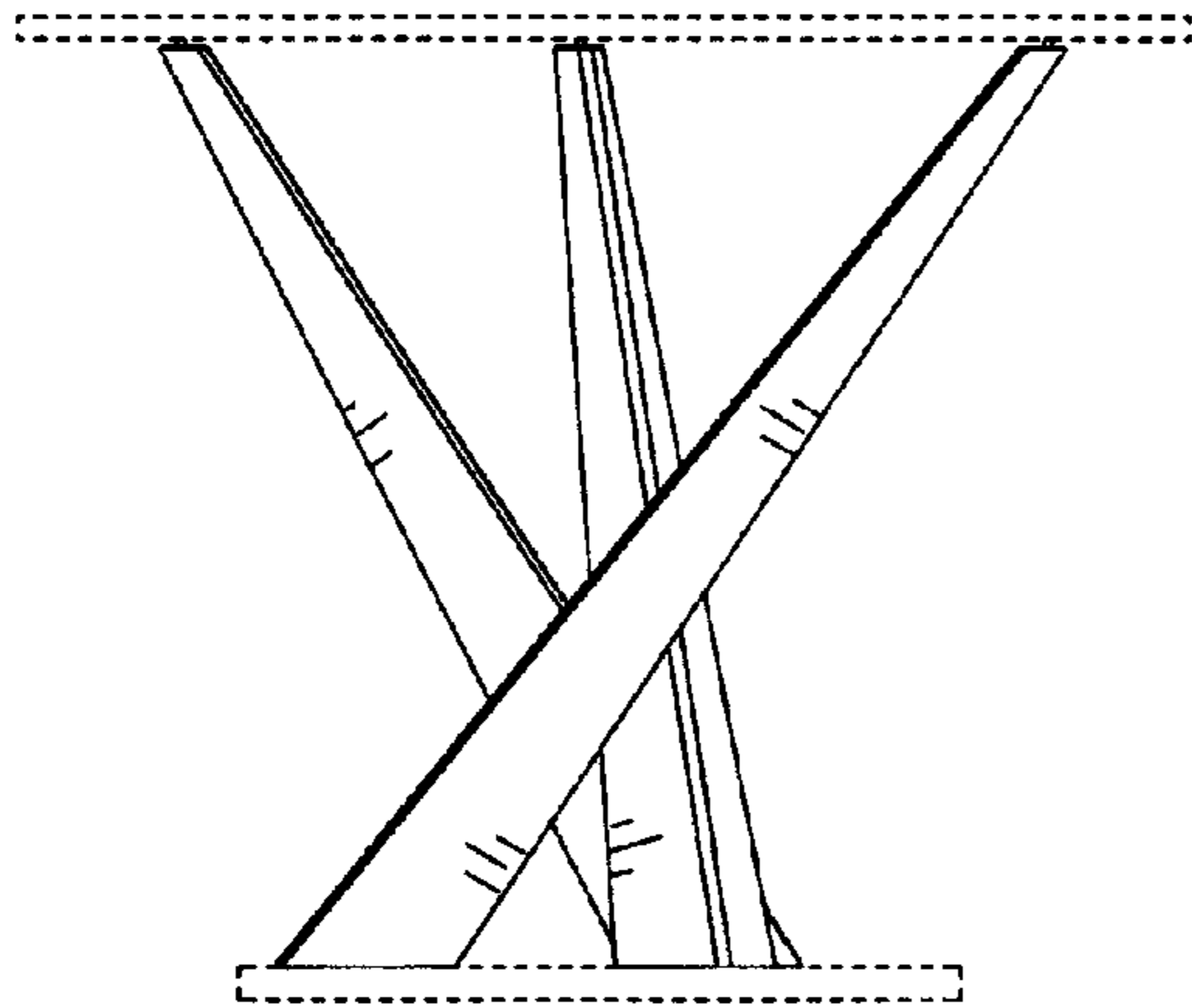


FIG. 8

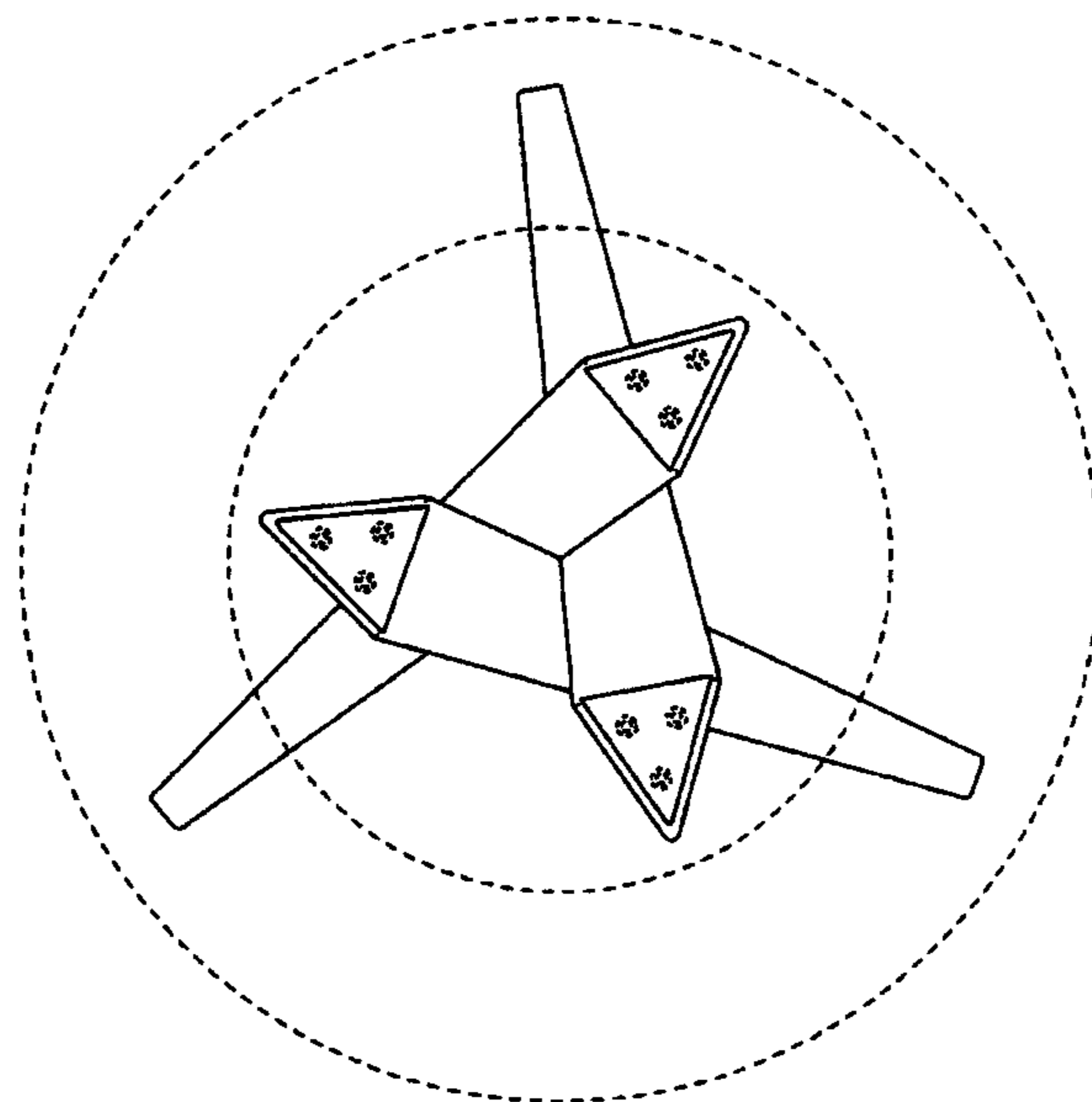


FIG. 9

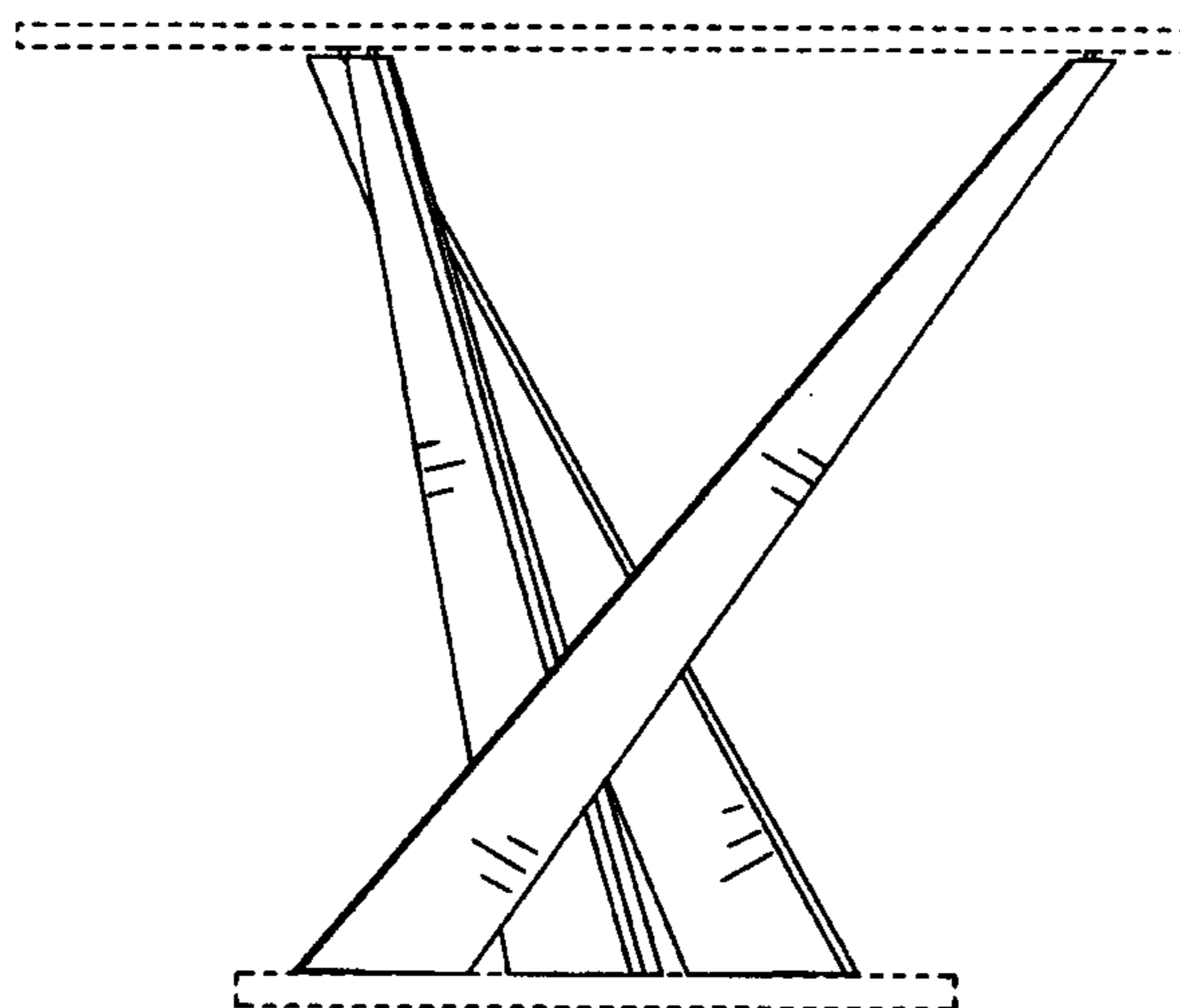


FIG. 10

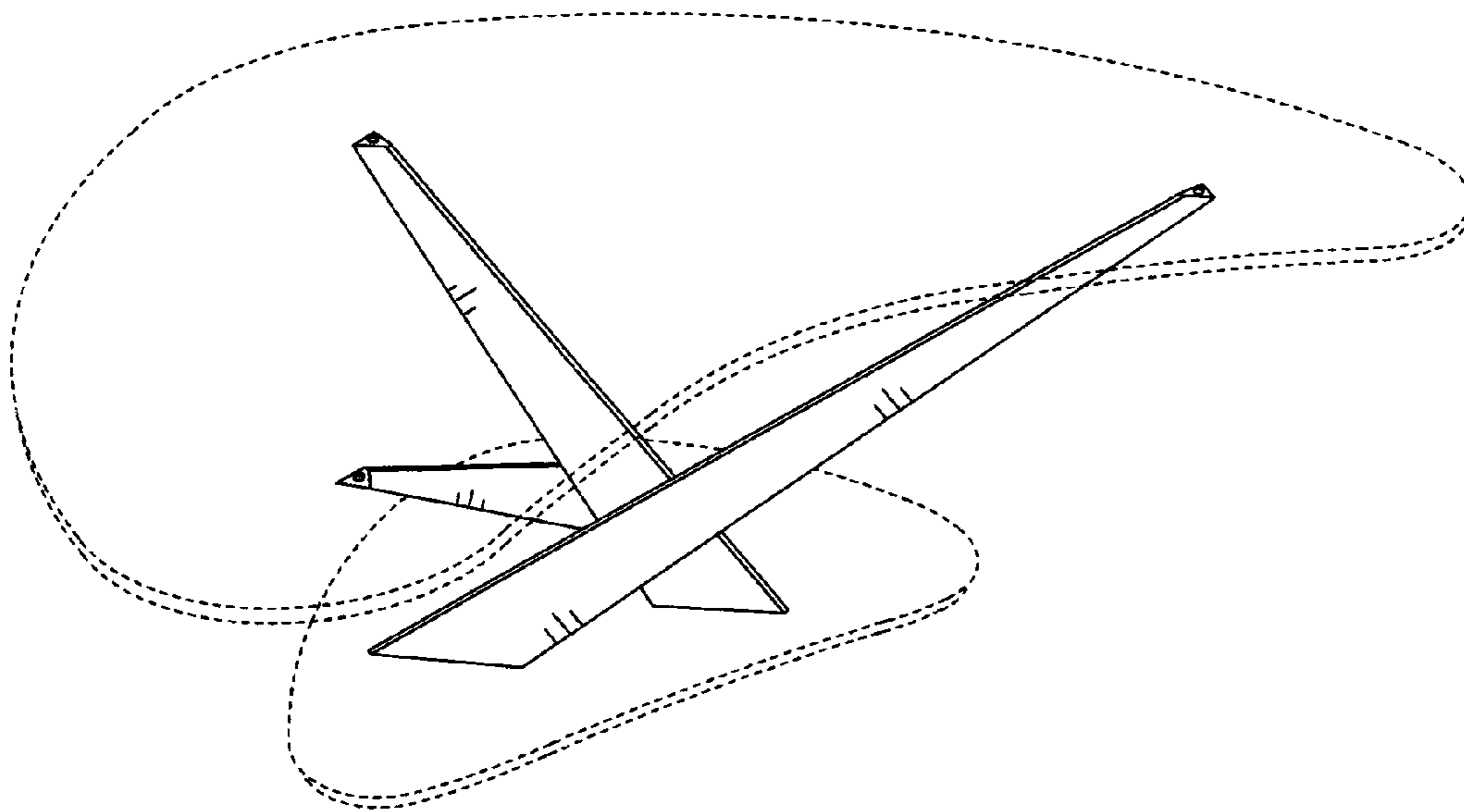


FIG. 11

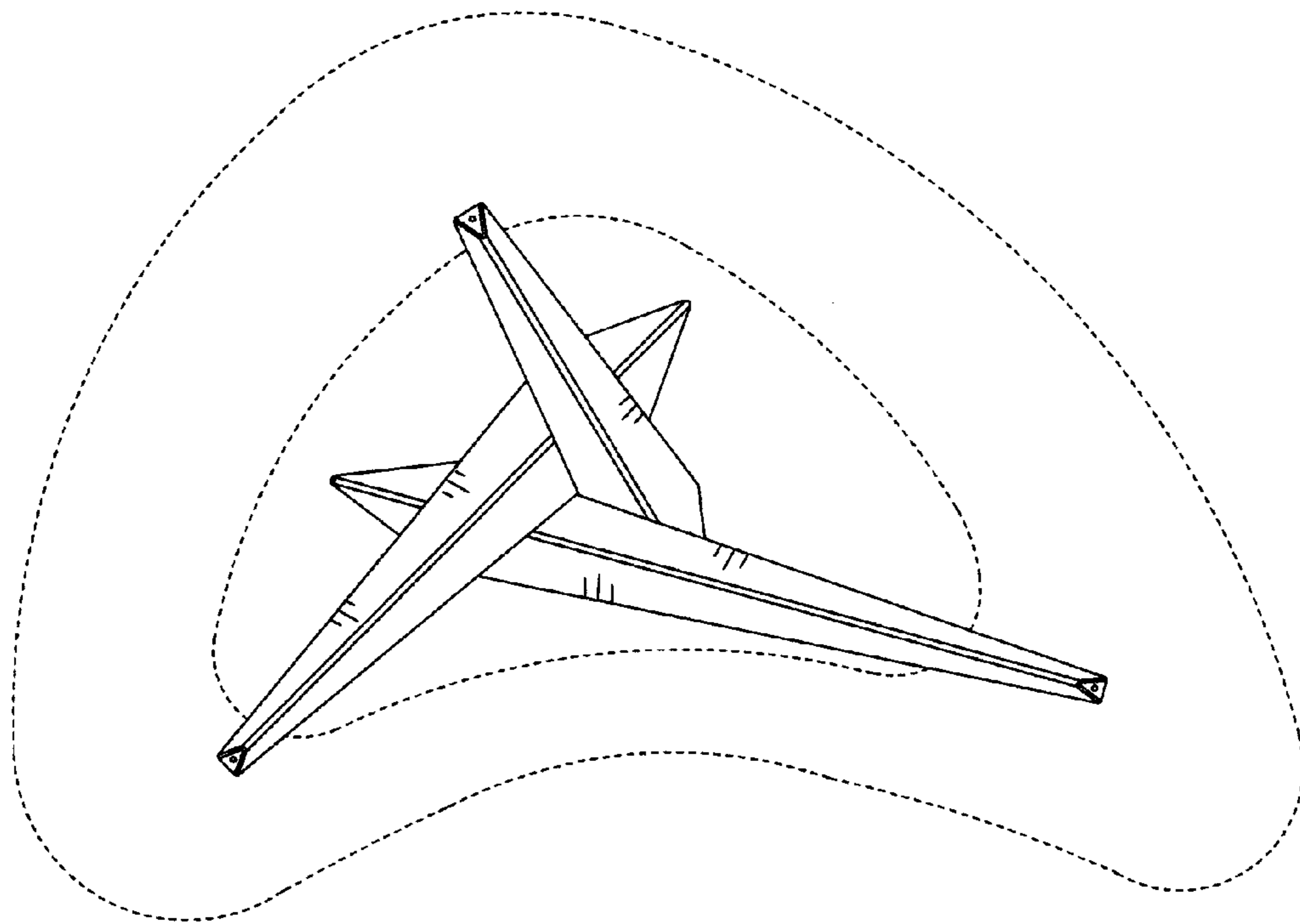


FIG. 12

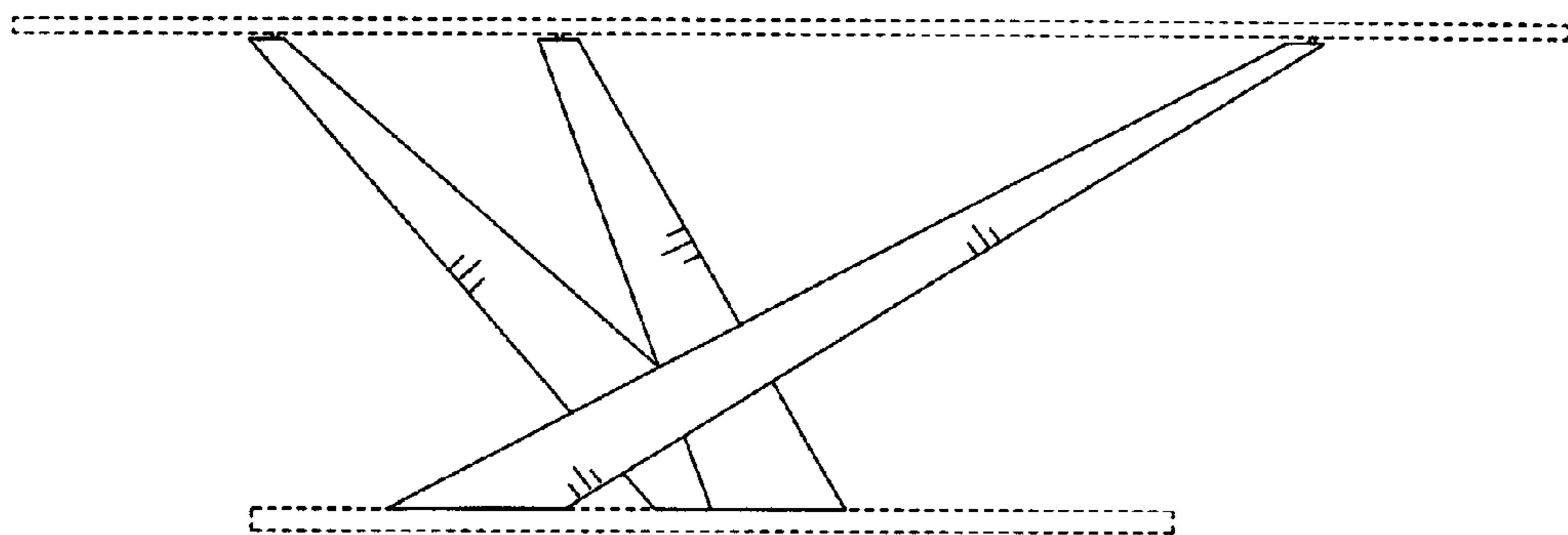


FIG. 13

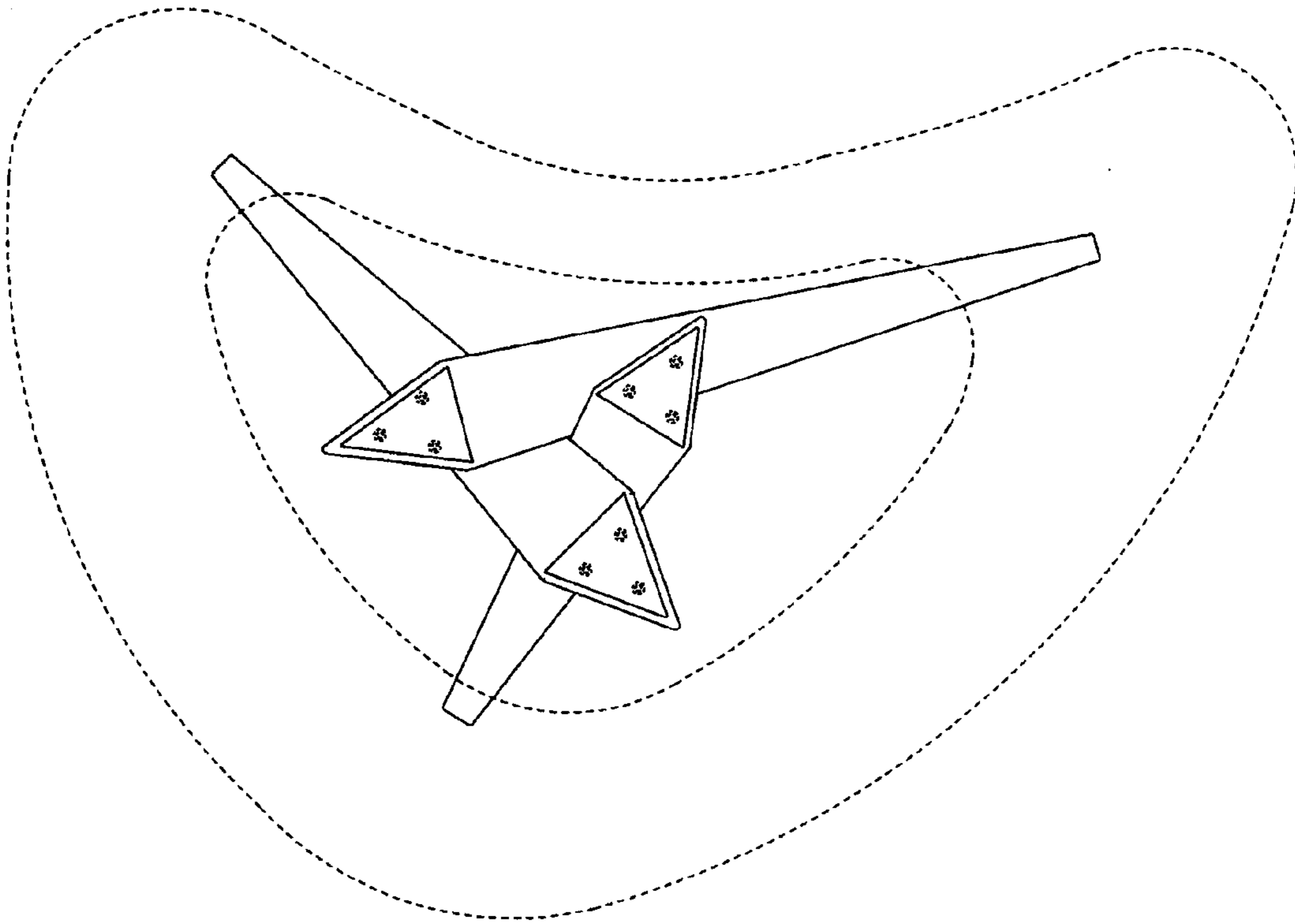


FIG. 14

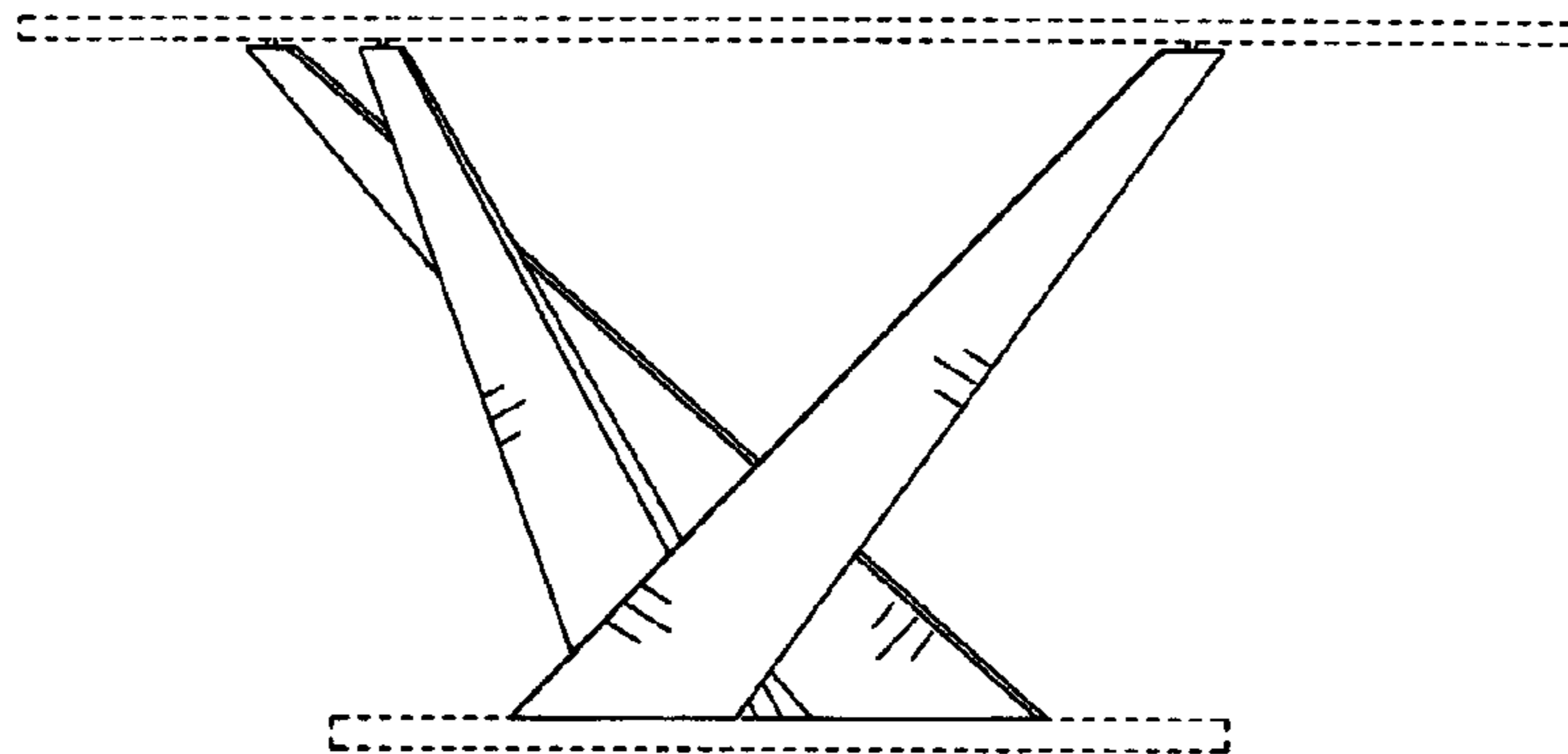


FIG. 15

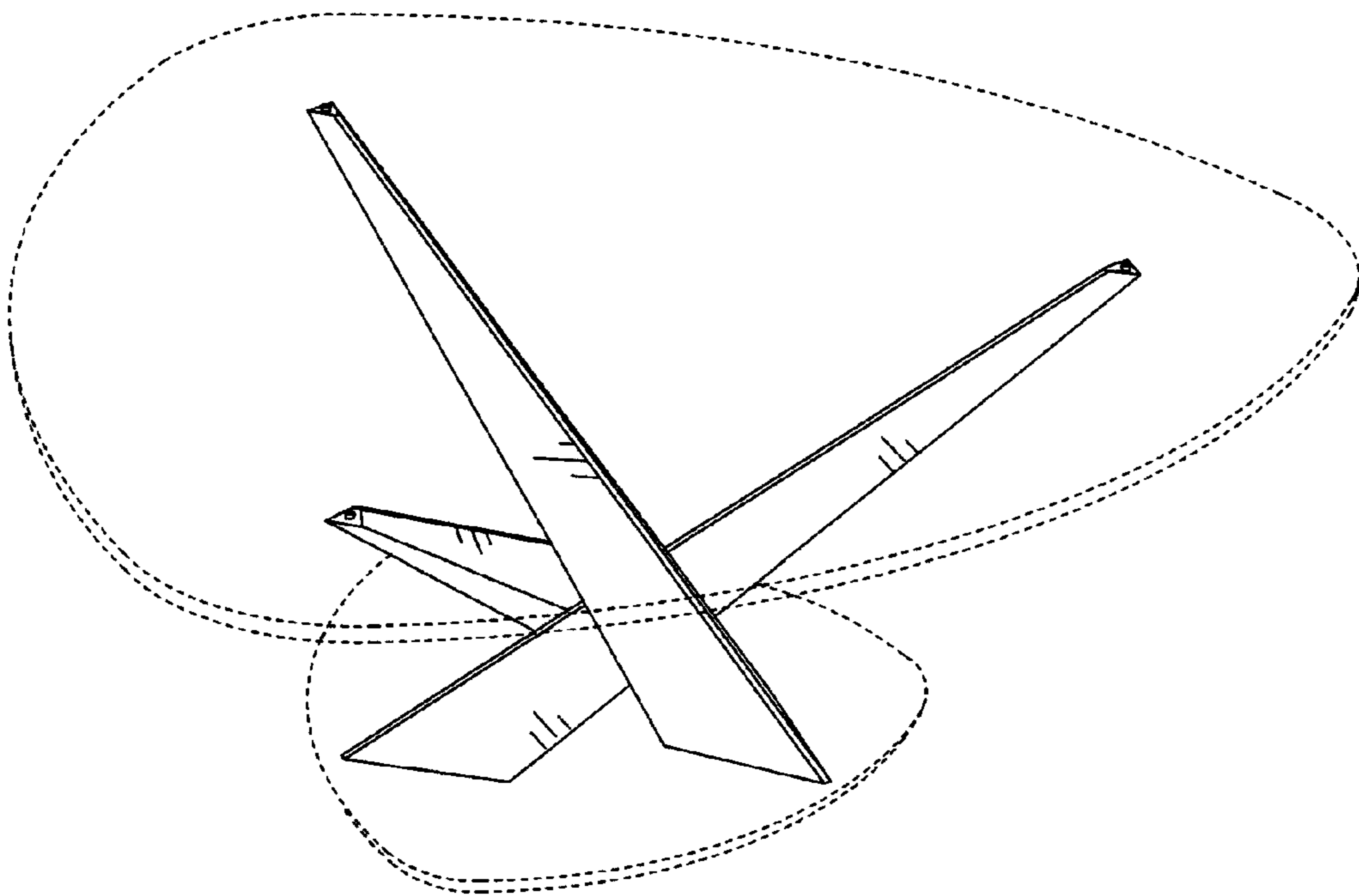


FIG. 16

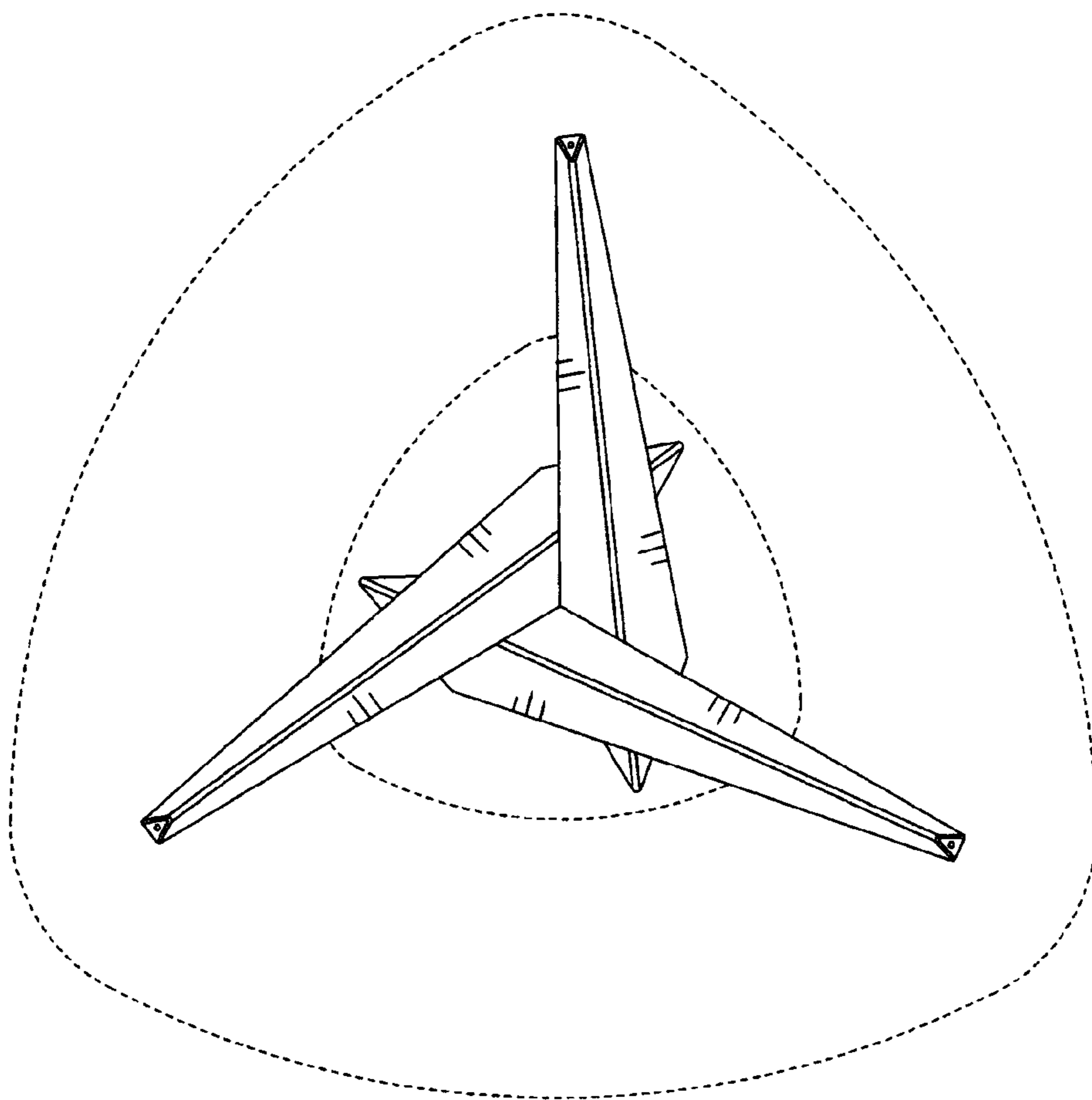


FIG. 17

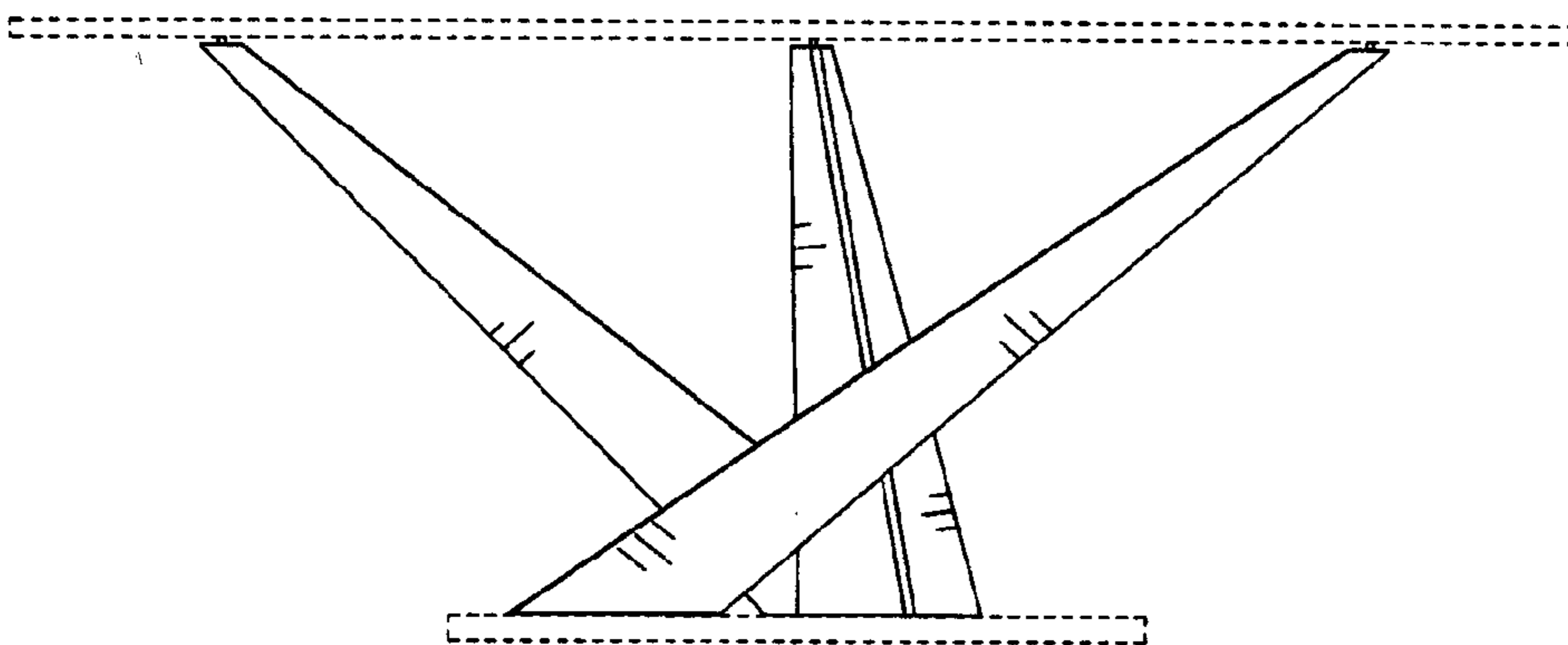


FIG. 18

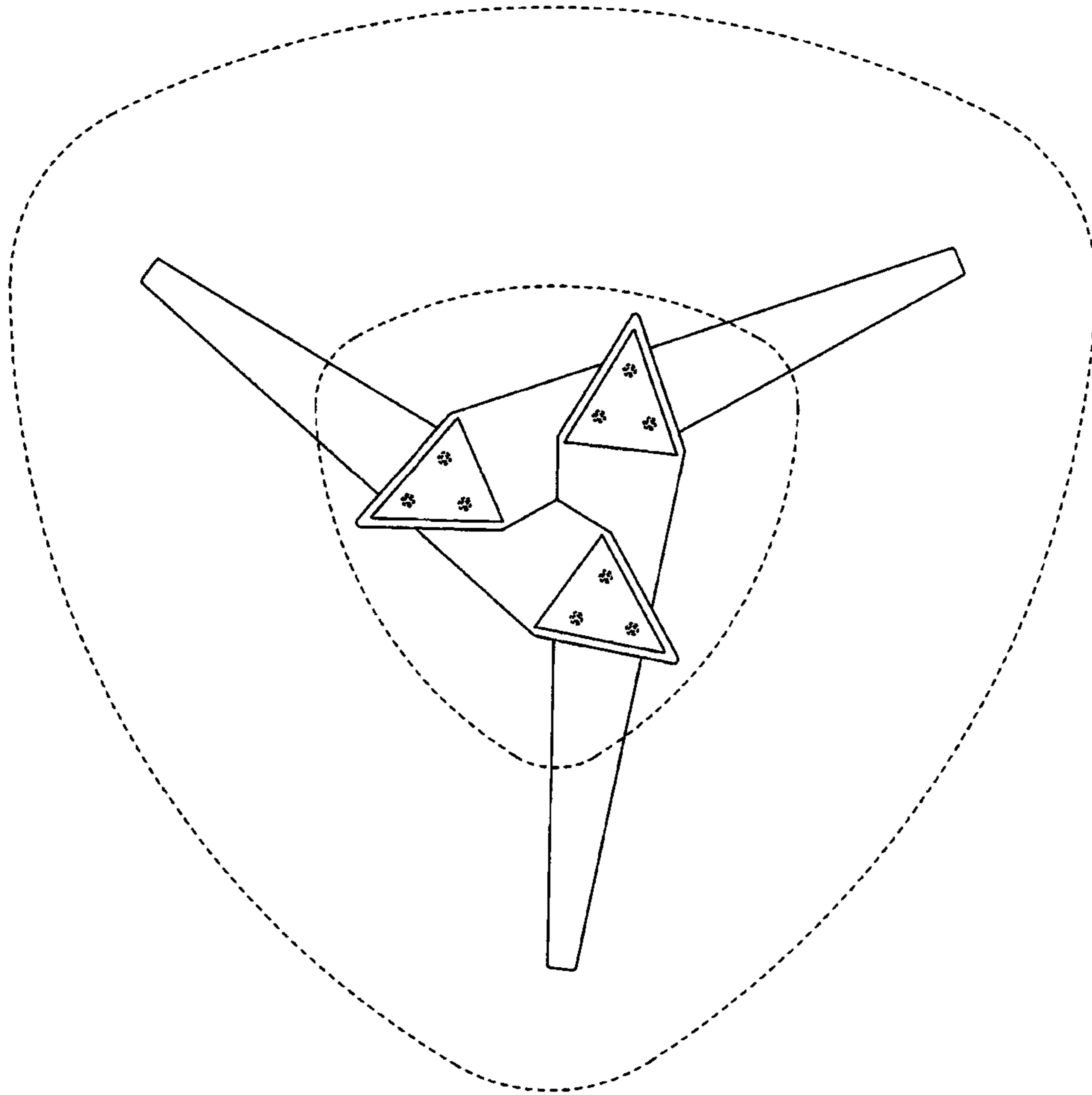


FIG. 19

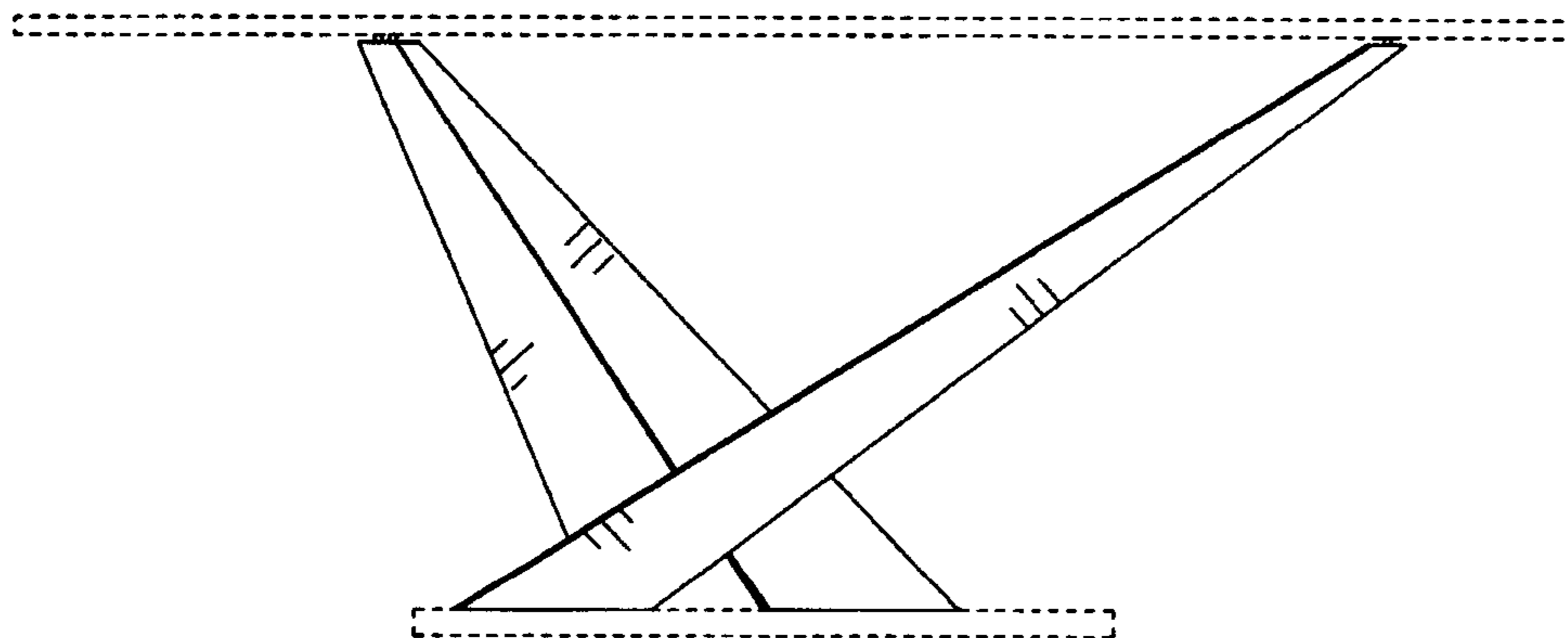


FIG. 20