



US00D770203S

(12) **United States Design Patent** (10) **Patent No.:** **US D770,203 S**  
**Thaler et al.** (45) **Date of Patent:** **\*\* Nov. 1, 2016**

(54) **DISPLAY STRUCTURE**  
(71) Applicant: **Apple Inc.**, Cupertino, CA (US)  
(72) Inventors: **Frank Craig Thaler**, Santa Cruz, CA (US); **Russell John Kaaihue Heirakuji**, Cupertino, CA (US); **Carly Lynn Marasco**, Los Gatos, CA (US)  
(73) Assignee: **Apple Inc.**, Cupertino, CA (US)

D590,630 S 4/2009 Singler et al.  
D591,078 S \* 4/2009 Singler ..... D14/307  
D591,079 S 4/2009 Singler et al.  
D591,974 S 5/2009 Singler et al.  
D592,422 S 5/2009 Rheault  
D593,775 S 6/2009 Singler et al.  
D602,932 S \* 10/2009 Sasaki ..... D14/307

(Continued)

**FOREIGN PATENT DOCUMENTS**

JP D1418952 S 7/2011  
WO DM/041938 10/1997  
WO DM/078462 5/2012

**OTHER PUBLICATIONS**

Japanese Patent Office document HB24003431, reported by JPO as dated Mar. 2012, p. 88.

(Continued)

(\*\*) Term: **14 Years**  
(21) Appl. No.: **29/507,089**

(22) Filed: **Oct. 23, 2014**  
(51) **LOC (10) Cl.** ..... **06-06**  
(52) **U.S. Cl.**  
USPC ..... **D6/673**  
(58) **Field of Classification Search**  
USPC ..... D6/672-673, 675-675.1; 211/42, 211/44-45, 48, 50, 90.01, 133.1; 312/7.2, 312/9.1, 107-109, 117-119, 278-279; 108/59, 108, 161  
CPC ..... A47F 5/0018; A47F 5/0081  
See application file for complete search history.

*Primary Examiner* — Kelley Donnelly  
(74) *Attorney, Agent, or Firm* — Sterne, Kessler, Goldstein & Fox P.L.L.C.

(57) **CLAIM**  
The ornamental design for a display structure, as shown and described.

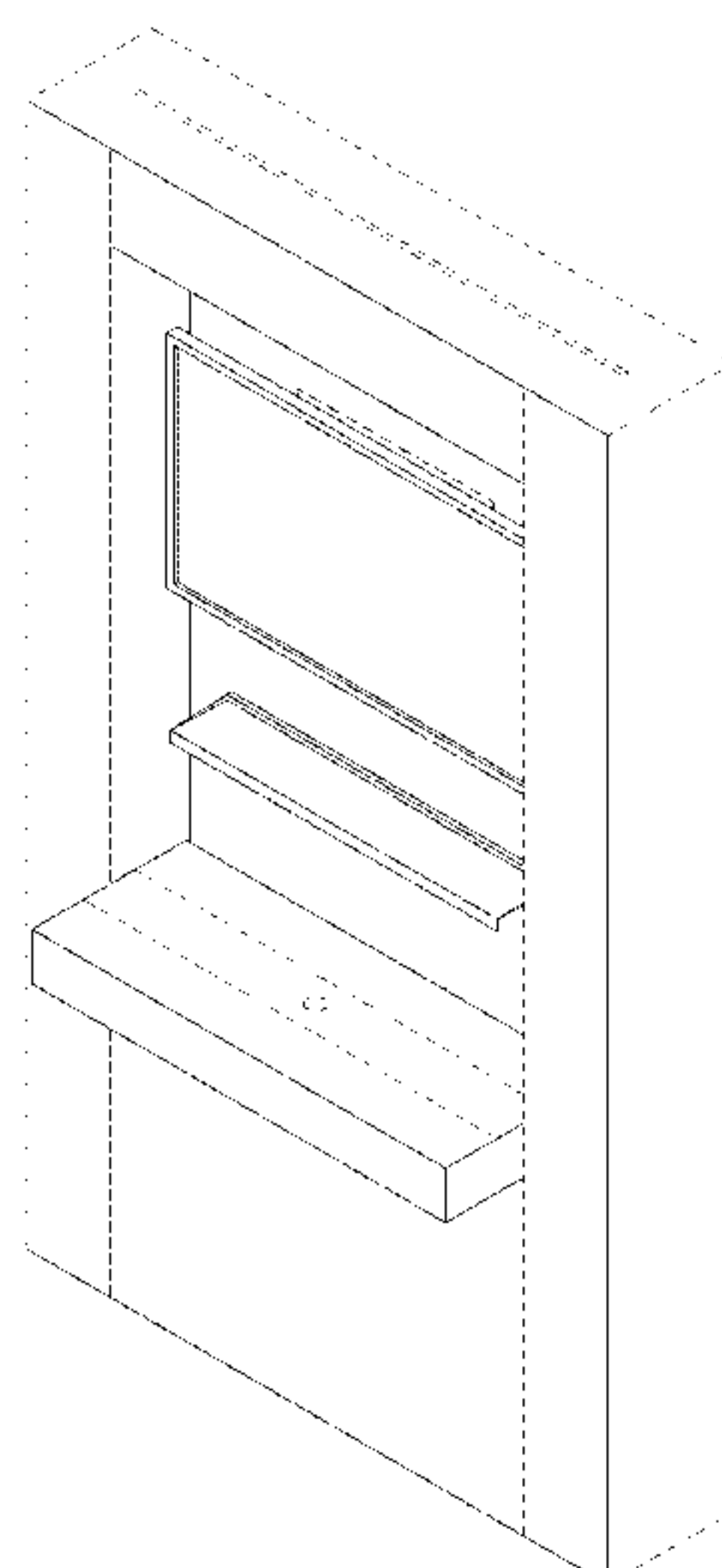
(56) **References Cited**  
U.S. PATENT DOCUMENTS

D218,325 S 8/1970 Sherman  
4,116,509 A 9/1978 Smith  
D250,868 S 1/1979 Ornattek  
D274,203 S 6/1984 Everett  
D288,997 S 3/1987 Kraynak  
D290,204 S 6/1987 Bruget  
D323,944 S 2/1992 Maas  
D354,638 S 1/1995 Todd et al.  
5,577,817 A 11/1996 Reynolds  
D398,653 S \* 9/1998 Hiraguchi ..... D20/10  
D438,256 S \* 2/2001 Timmermans ..... D20/10  
D573,593 S \* 7/2008 Sasaki ..... D14/307  
D576,426 S 9/2008 Yuen-Schat et al.  
D580,926 S \* 11/2008 McCarty ..... D14/307

**DESCRIPTION**

FIG. 1 is a top front perspective view of a display structure showing our new design;  
FIG. 2 is a front view thereof;  
FIG. 3 is a rear view thereof;  
FIG. 4 is a left side view thereof;  
FIG. 5 is a right side view thereof;  
FIG. 6 is a top view thereof; and,  
FIG. 7 is a bottom view thereof.  
The broken lines in the figures show portions of the display structure that form no part of the claimed design.

**1 Claim, 5 Drawing Sheets**



(56)

**References Cited**

U.S. PATENT DOCUMENTS

D610,832 S 3/2010 Rheault  
 D639,086 S \* 6/2011 Curbbun ..... D20/10  
 D657,978 S 4/2012 Hamm et al.  
 D661,124 S 6/2012 Curbbun et al.  
 D661,922 S 6/2012 Mitri  
 D671,535 S 11/2012 Terashima et al.  
 D676,430 S 2/2013 Blaser  
 D678,696 S 3/2013 Hamm et al.  
 D679,521 S \* 4/2013 Hamm ..... D6/672  
 D682,581 S 5/2013 Kikkert et al.  
 D684,792 S 6/2013 Kikkert et al.  
 D688,494 S 8/2013 Hamm et al.  
 D693,156 S 11/2013 Hamm et al.  
 D707,991 S 7/2014 Woelfel et al.  
 D711,170 S \* 8/2014 Lawlor ..... D6/673

D713,658 S 9/2014 Tio et al.  
 D722,794 S \* 2/2015 Luong ..... D20/19  
 D723,026 S \* 2/2015 Birgeoglu ..... D14/307  
 D734,965 S \* 7/2015 Tio ..... D6/675  
 D747,901 S \* 1/2016 Kanagy ..... D6/673  
 2005/0279033 A1 12/2005 Faber et al.  
 2007/0170823 A1 \* 7/2007 Stannis ..... A47B 81/06  
 312/7.2  
 2015/0036326 A1 \* 2/2015 Maciulewicz ..... A47F 11/10  
 362/133

OTHER PUBLICATIONS

U.S. Appl. No. 29/469,978, filed Oct. 16, 2013.  
 U.S. Appl. No. 29/471,331, filed Oct. 30, 2013.  
 U.S. Appl. No. 29/489,107, filed Apr. 25, 2014.  
 U.S. Appl. No. 29/499,677, filed Aug. 18, 2014.

\* cited by examiner

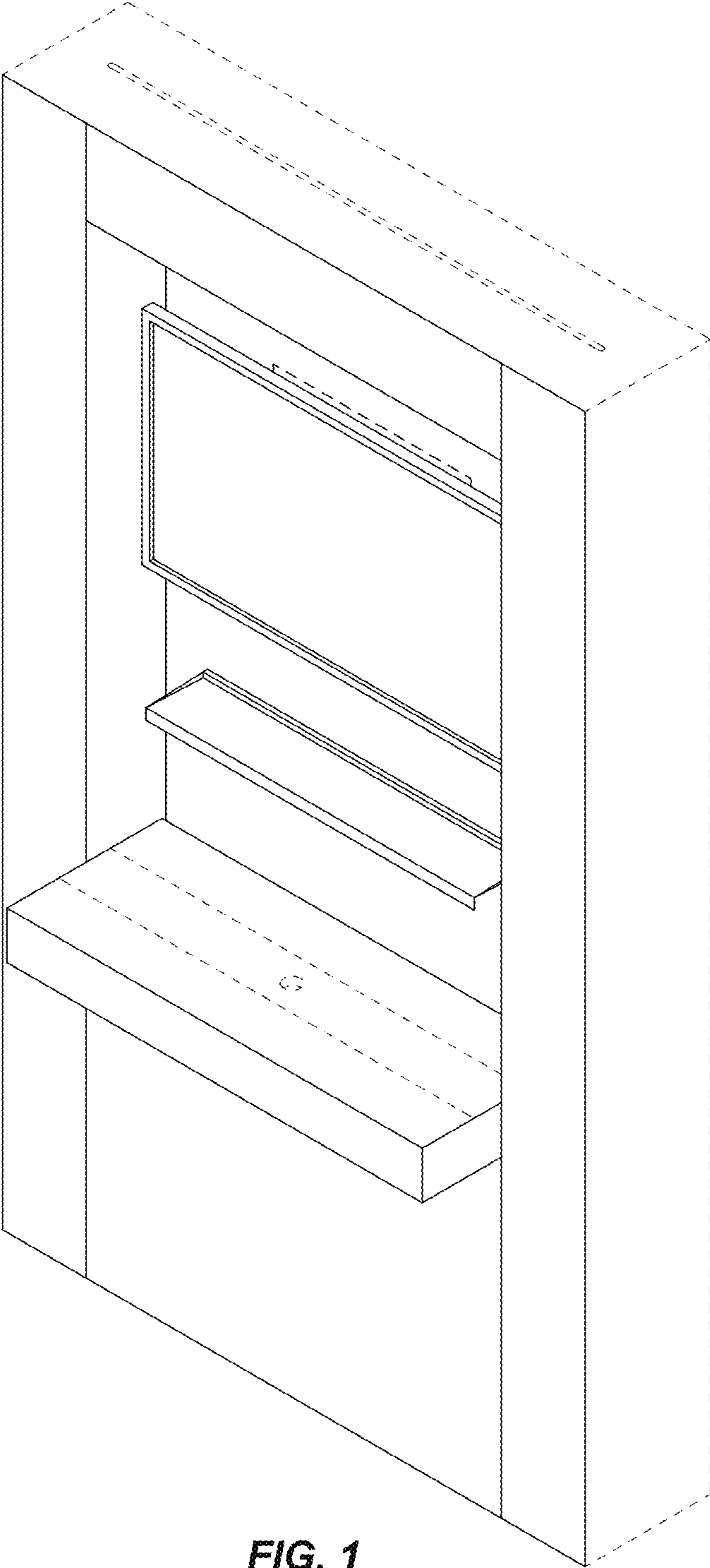


FIG. 1

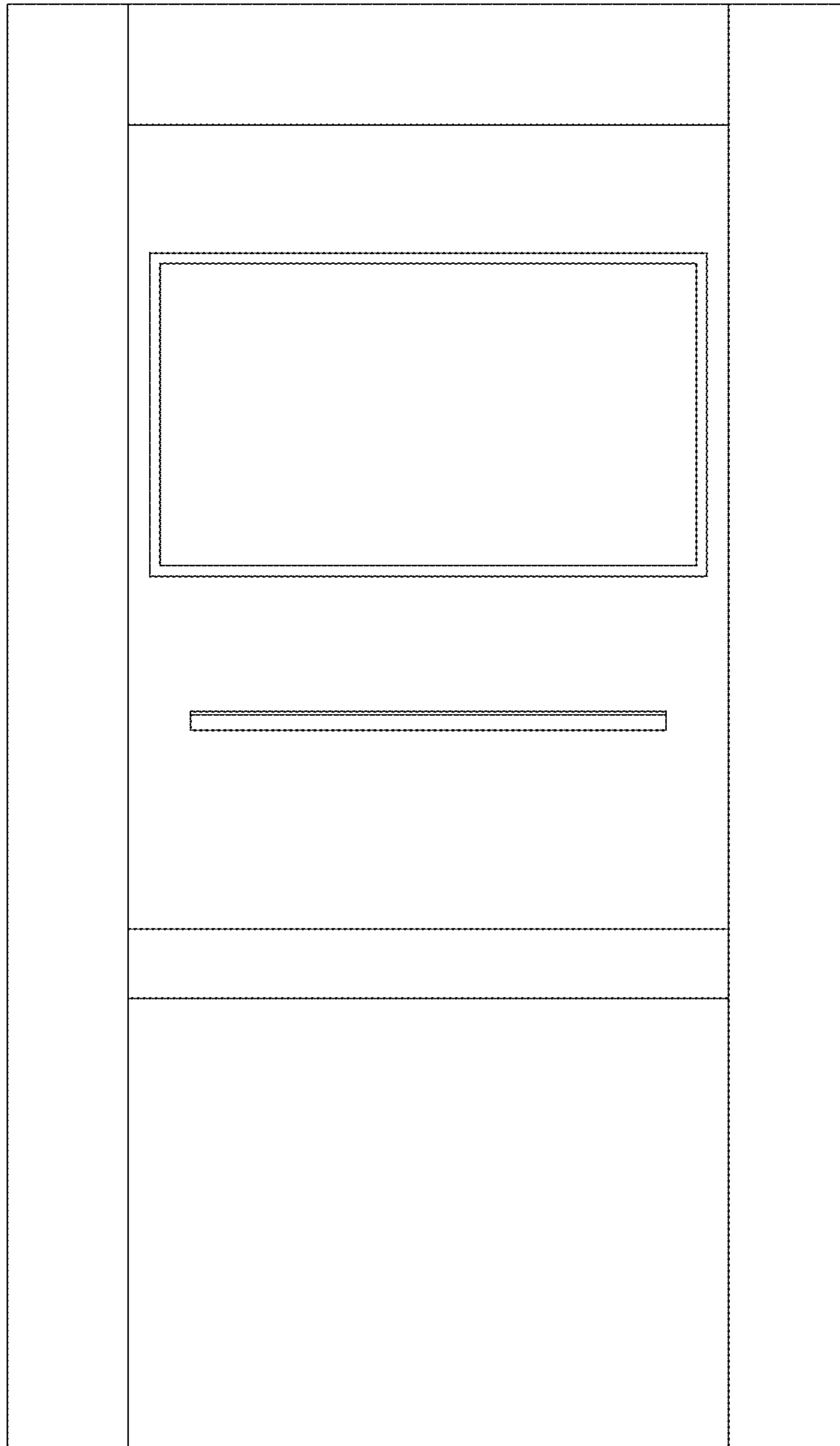
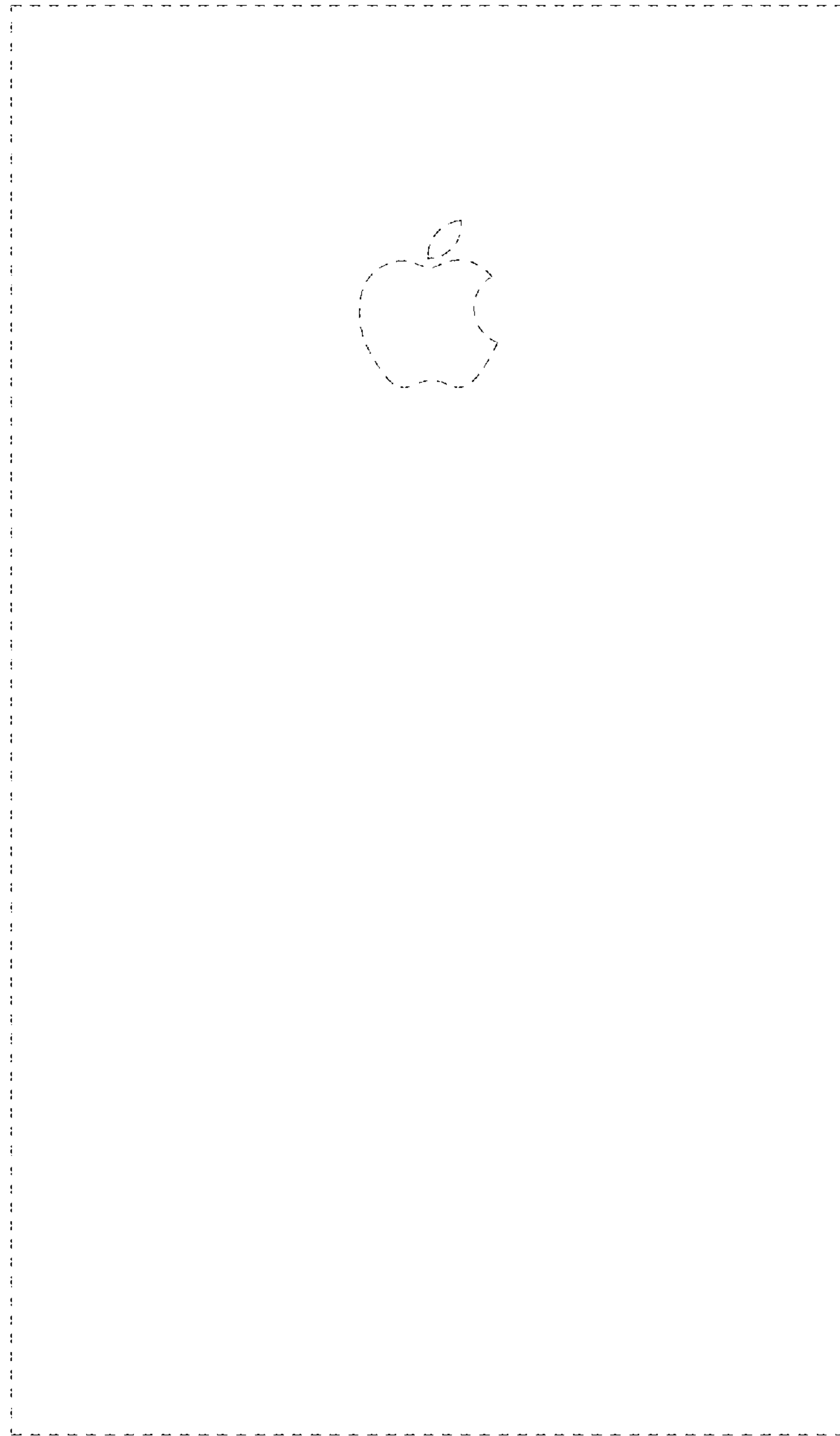
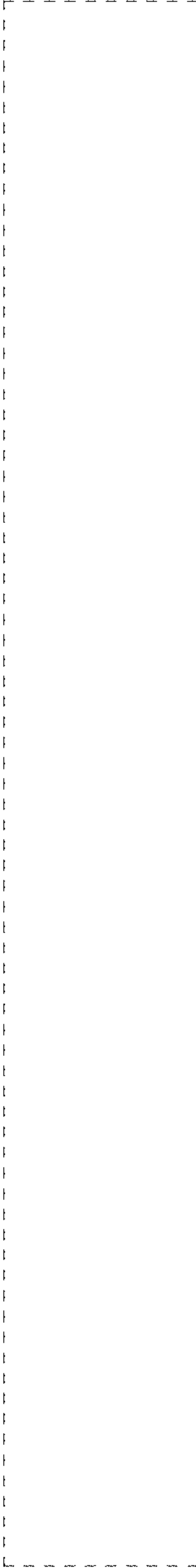


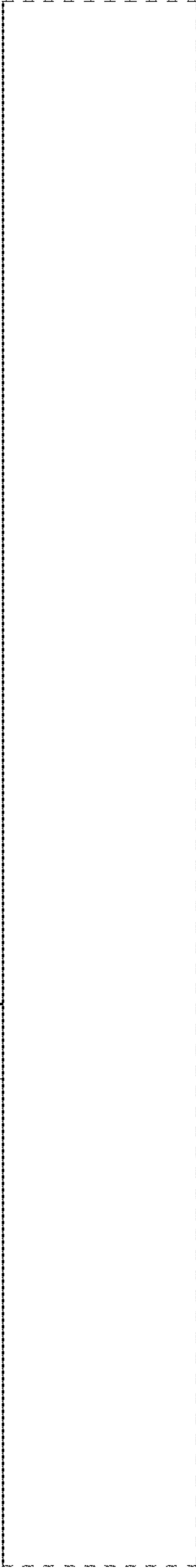
FIG. 2



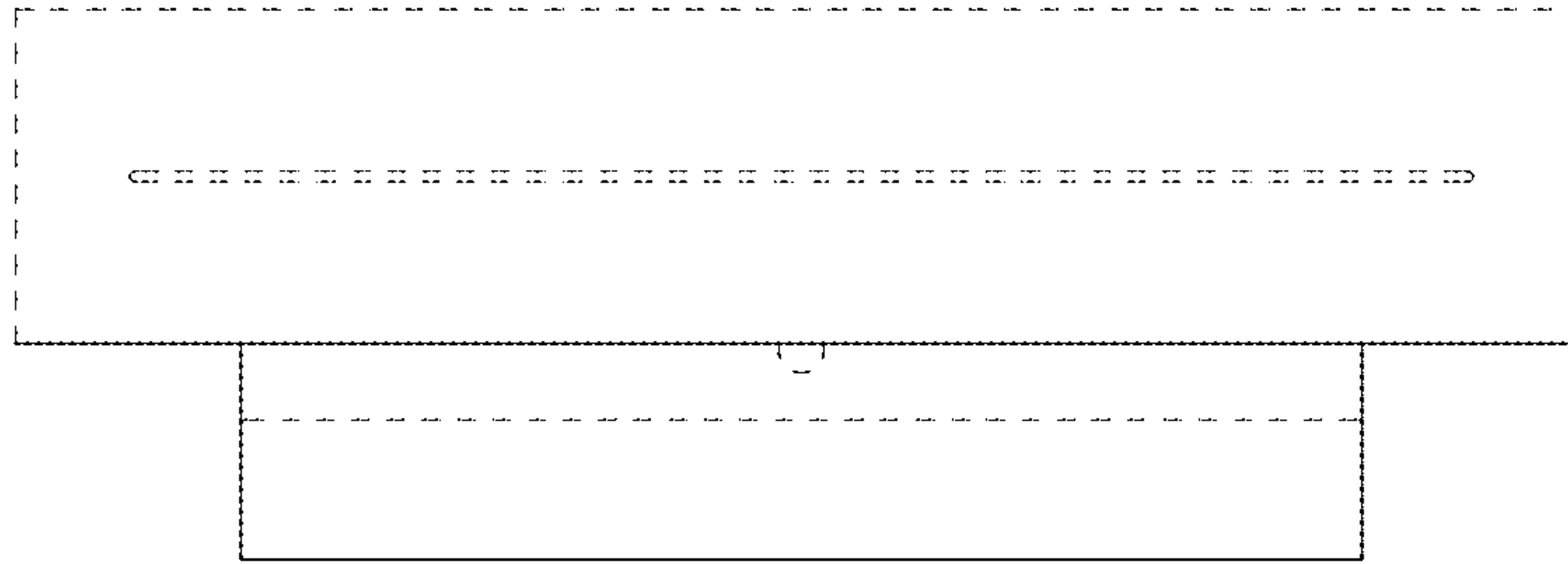
**FIG. 3**



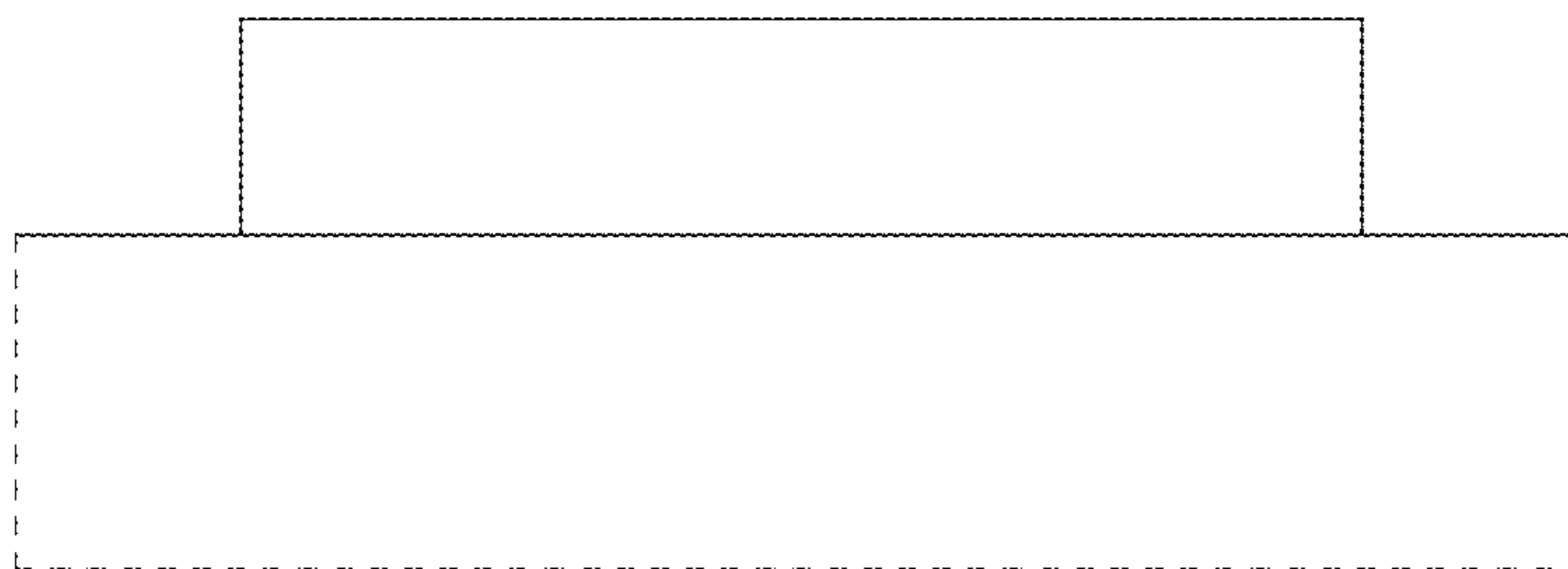
**FIG. 4**



**FIG. 5**



**FIG. 6**



**FIG. 7**