



US00D770201S

(12) **United States Design Patent** (10) **Patent No.:** **US D770,201 S**  
**Dieckhaus** (45) **Date of Patent:** **\*\* Nov. 1, 2016**

(54) **FOLDABLE MAT**  
(71) Applicant: **Meramec Group, Inc.**, Sullivan, MO (US)  
(72) Inventor: **Robert P. Dieckhaus**, Eureka, MO (US)  
(73) Assignee: **The Meramec Group, Inc.**, Sullivan, MO (US)  
(\*\*) Term: **14 Years**  
(21) Appl. No.: **29/523,494**  
(22) Filed: **Apr. 10, 2015**  
(51) **LOC (10) Cl.** ..... **06-11**  
(52) **U.S. Cl.**  
USPC ..... **D6/582**  
(58) **Field of Classification Search**  
USPC ..... D6/582, 583, 584, 585, 586, 587, 588, D6/589, 590, 592, 596, 609, 617, 619; D12/203; D32/55, 56, 57; D5/21  
CPC ..... A47G 11/00; A47G 27/0206; A47G 27/0212; A47G 27/0225; A47G 27/0231; A47G 27/0237; A47G 9/062; A47L 23/26; A47L 23/266; A47K 7/026  
See application file for complete search history.

(56) **References Cited**  
U.S. PATENT DOCUMENTS  
82,308 A \* 9/1868 Groh ..... A47L 23/266 15/217  
3,323,151 A \* 6/1967 Lerman ..... A47C 4/52 297/183.5  
3,336,610 A \* 8/1967 Geddings ..... A47D 15/00 428/100  
D222,499 S \* 10/1971 Wells ..... D6/583  
D274,493 S \* 7/1984 Dyby ..... D6/392  
4,901,706 A \* 2/1990 Schwanke, Jr. .... A47G 27/0206 126/221  
4,940,620 A \* 7/1990 Silk ..... A47D 15/00 428/124

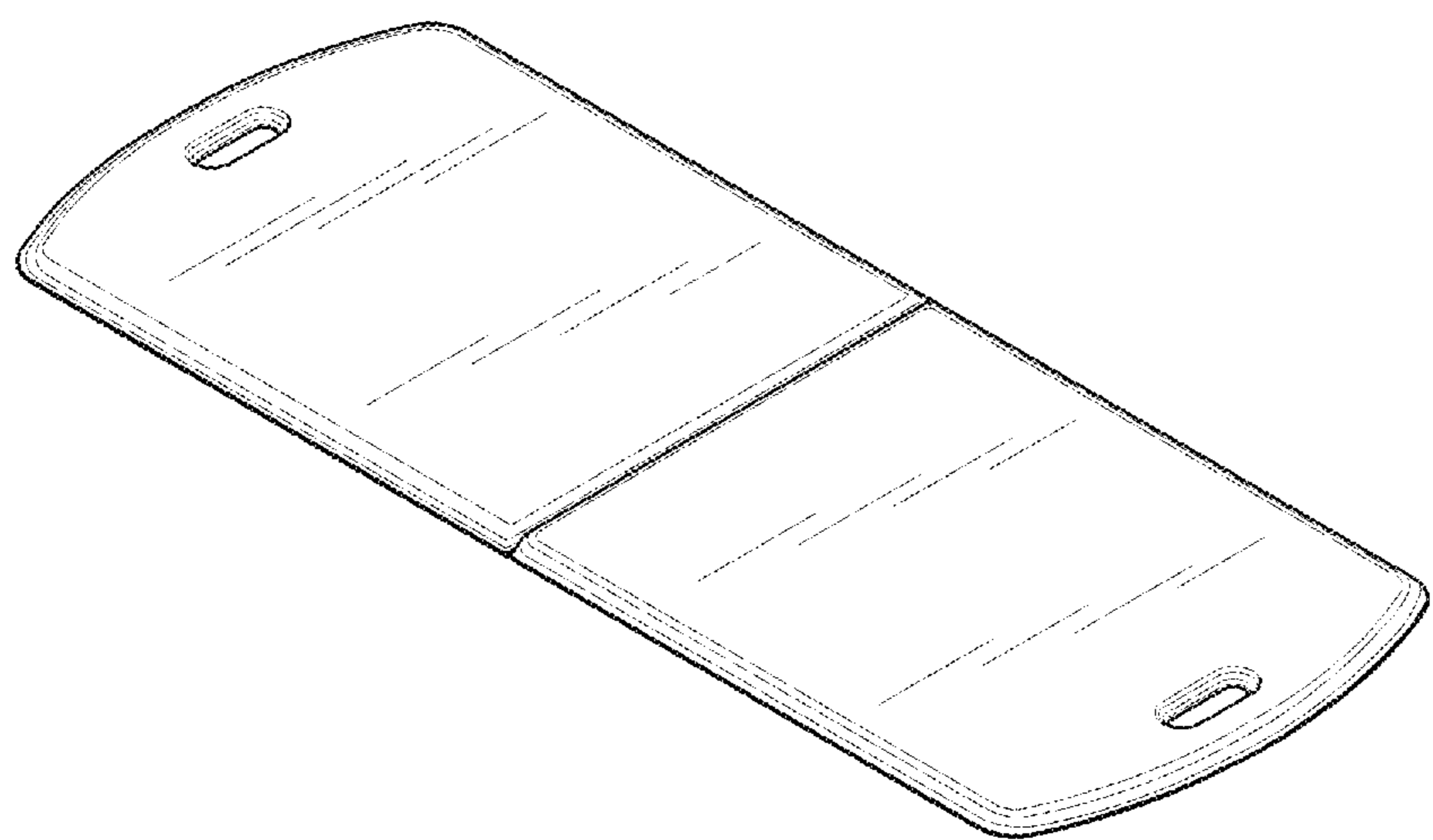
D468,441 S \* 1/2003 Pham ..... D24/216  
6,618,883 B2 \* 9/2003 Angland ..... A47C 17/04 5/12.1  
D487,551 S \* 3/2004 Lee ..... D6/582  
D513,774 S \* 1/2006 Nudo ..... D21/698  
D601,843 S \* 10/2009 Cherry ..... D6/601  
7,772,528 B2 8/2010 Lewin et al.  
8,029,426 B2 10/2011 Sohn  
8,096,923 B2 1/2012 White  
8,510,878 B2 8/2013 Wang  
8,887,327 B2 \* 11/2014 Davis, Jr. .... A61G 7/1026 5/420  
2006/0290181 A1 \* 12/2006 Gold ..... A47G 27/0206 297/284.5  
2008/0118671 A1 5/2008 Bienkiewicz  
2008/0214361 A1 9/2008 Oster  
2009/0255060 A1 10/2009 Biggs  
2010/0197471 A1 8/2010 Hayes et al.  
2010/0227124 A1 \* 9/2010 Sharir ..... A47G 27/0212 428/159  
2010/0323862 A1 12/2010 Sohn  
2012/0053029 A1 3/2012 Newburger et al.  
2012/0210512 A1 8/2012 Woods et al.

\* cited by examiner  
*Primary Examiner* — Celia Murphy  
*Assistant Examiner* — Clare Ann Gannon  
(74) *Attorney, Agent, or Firm* — Polster, Lieder, Woodruff & Lucchesi, L.C.

(57) **CLAIM**  
The ornamental design for a foldable mat, as shown and described.

**DESCRIPTION**  
FIG. 1 is a perspective view of a foldable mat showing my new design;  
FIG. 2 is a top plan view thereof;  
FIG. 3 is a bottom plan view thereof;  
FIG. 4 is a side elevation view thereof;  
FIG. 5 is a front elevation view thereof; and,  
FIG. 6 is a perspective view thereof, shown folded.

**1 Claim, 2 Drawing Sheets**



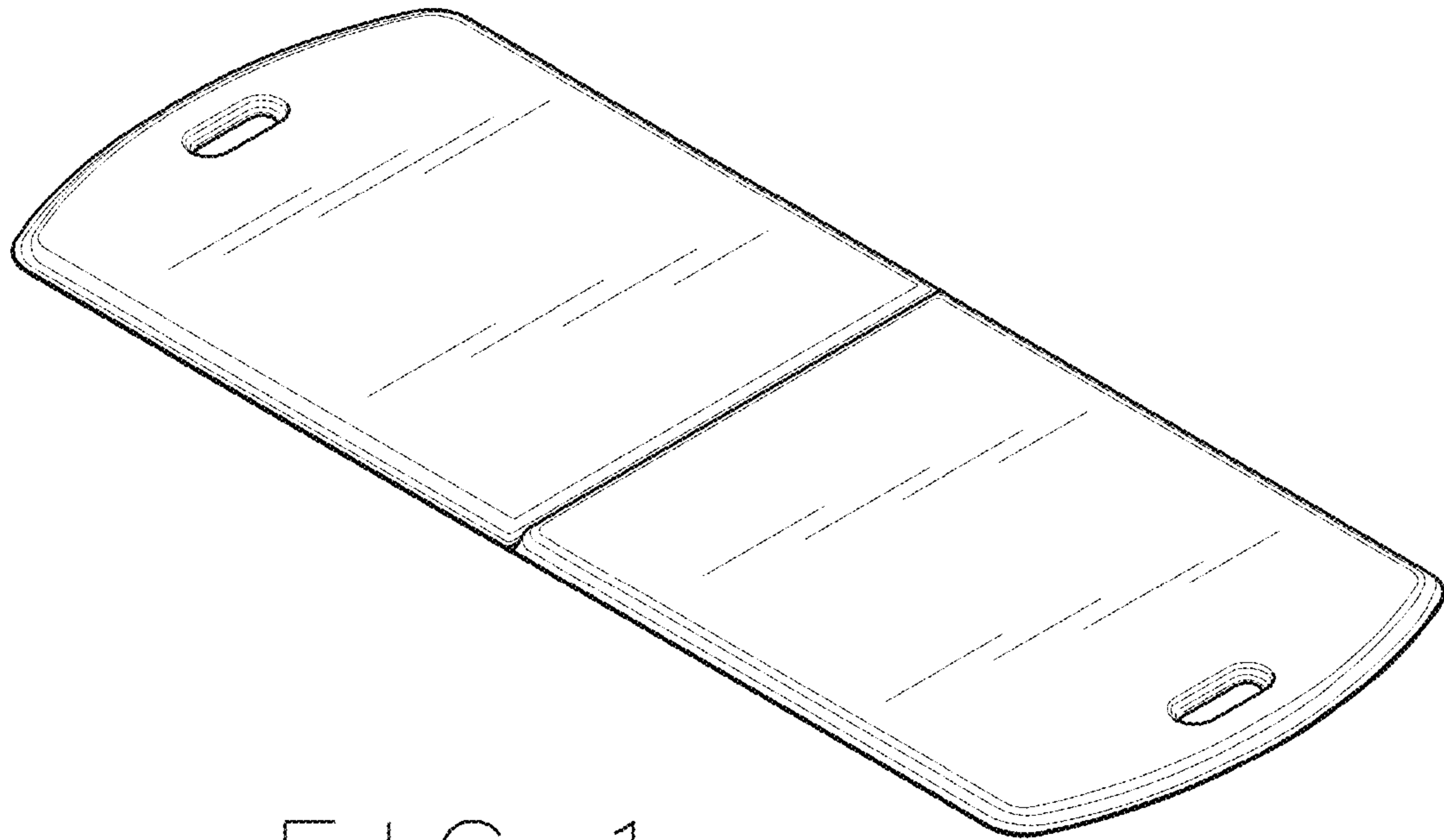


FIG. 1

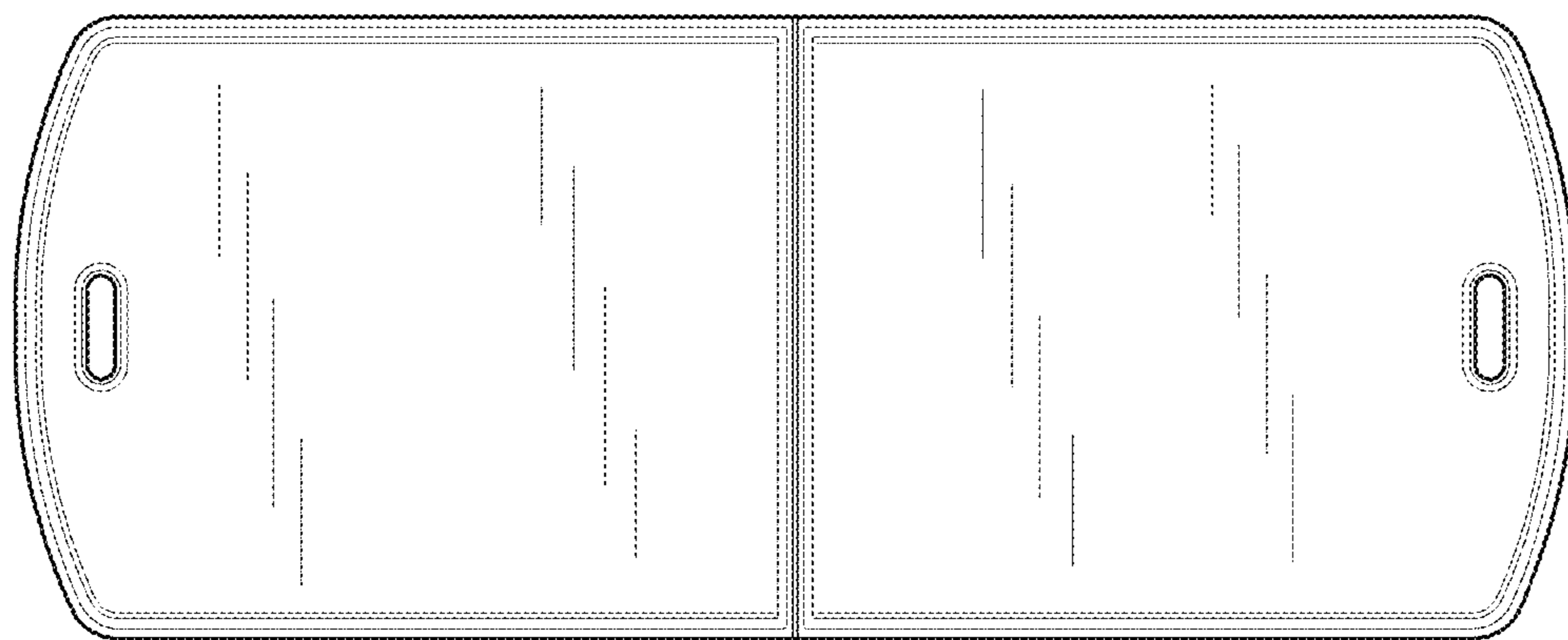


FIG. 2

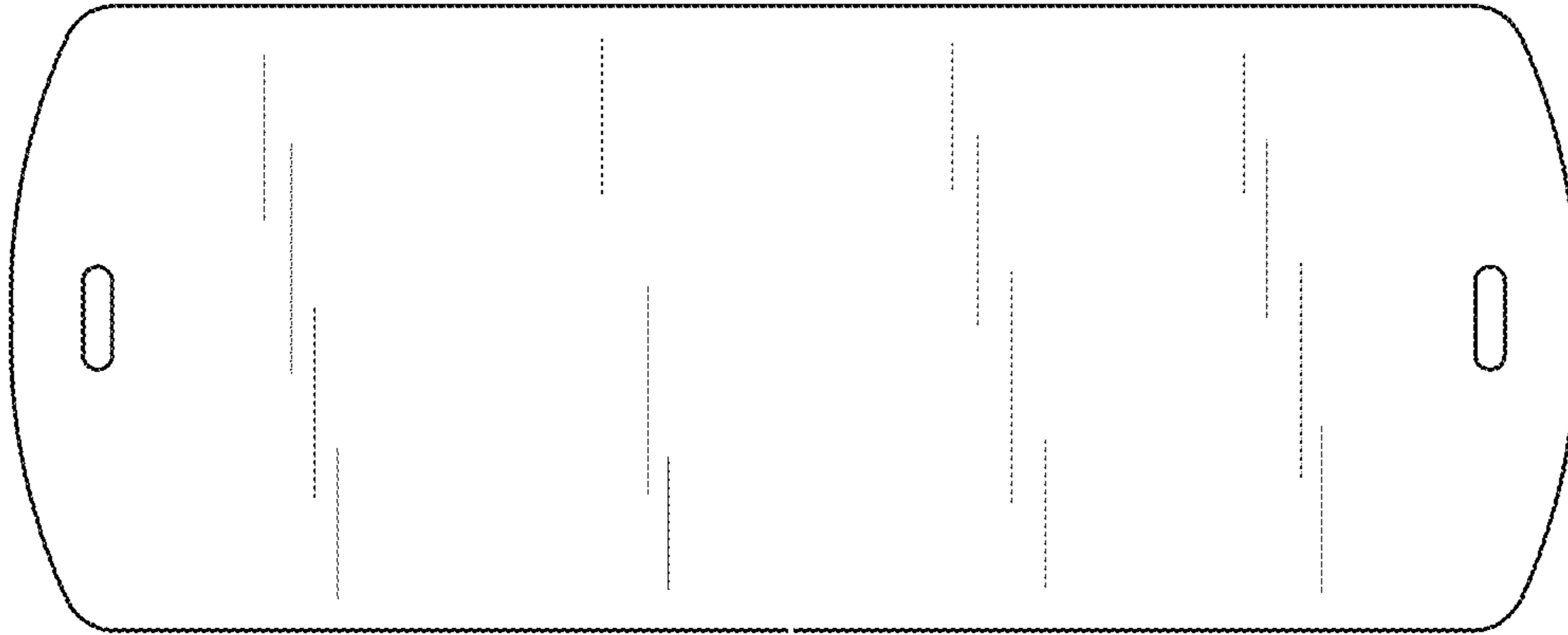


FIG. 3



FIG. 4

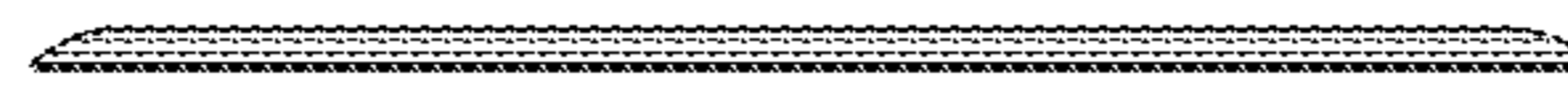


FIG. 5

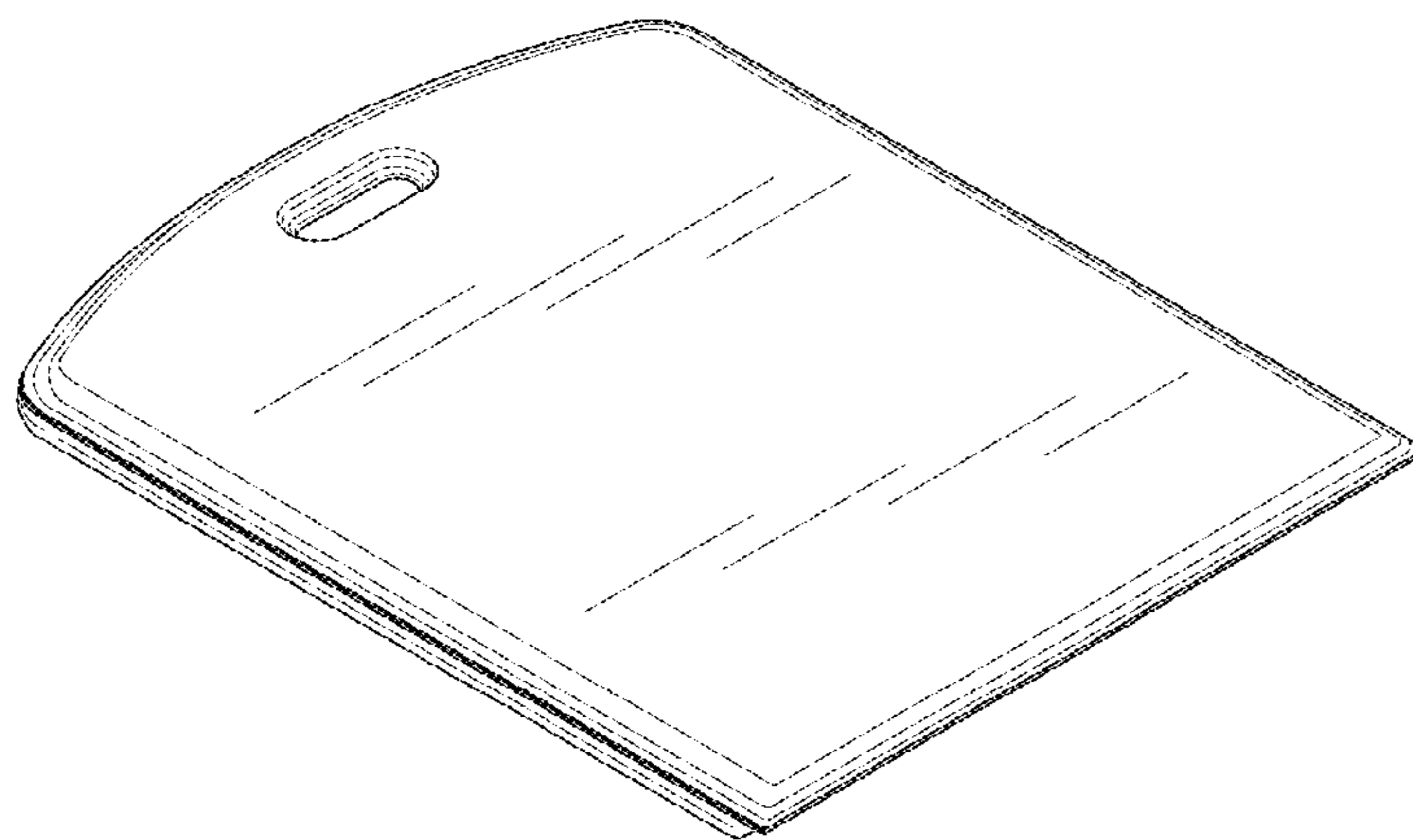


FIG. 6