

US00D770200S

(12) **United States Design Patent**  
**Garland**

(10) **Patent No.:** **US D770,200 S**

(45) **Date of Patent:** **\*\* Nov. 1, 2016**

(54) **SHELF**

(71) Applicant: **Delta Faucet Company**, Indianapolis, IN (US)

(72) Inventor: **Celine Kwok Garland**, Zionsville, IN (US)

(73) Assignee: **DELTA FAUCET COMPANY**, Indianapolis, IN (US)

(\*\*) Term: **15 Years**

(21) Appl. No.: **29/531,789**

(22) Filed: **Jun. 30, 2015**

(51) **LOC (10) Cl.** ..... **06-04**

(52) **U.S. Cl.**  
USPC ..... **D6/574**

(58) **Field of Classification Search**  
USPC ..... D6/574, 320-324; D7/698; D26/72; 52/287.1; 108/28-29, 152; 211/13.1, 211/42, 86.01, 88.01, 90.01, 90.03, 126.1, 211/134, 153; 248/205.3, 235, 243, 247, 248/249, 250; 312/108, 140.2, 229  
CPC .. A47B 43/00; A47B 43/04; A47B 47/0066; A47B 47/04; A47B 63/00; A47B 69/00; A47B 71/00; B65D 51/00

See application file for complete search history.

(56) **References Cited**

**U.S. PATENT DOCUMENTS**

D476,837 S \* 7/2003 Hoernig ..... D6/527  
D477,732 S \* 7/2003 Hoernig ..... D6/527

D492,866 S \* 7/2004 Graves ..... D6/524  
D493,313 S \* 7/2004 Hoernig ..... D6/524  
D493,316 S \* 7/2004 Hoernig ..... D6/524  
D495,180 S \* 8/2004 Painter ..... D6/527  
D559,598 S \* 1/2008 Bickler ..... D6/523  
D559,602 S \* 1/2008 Bickler ..... D6/549  
D671,778 S \* 12/2012 Kwok ..... D6/549

\* cited by examiner

*Primary Examiner* — Wan Laymon

*Assistant Examiner* — Mark Booker

(74) *Attorney, Agent, or Firm* — Edgar A. Zarins; Nirav D. Parikh

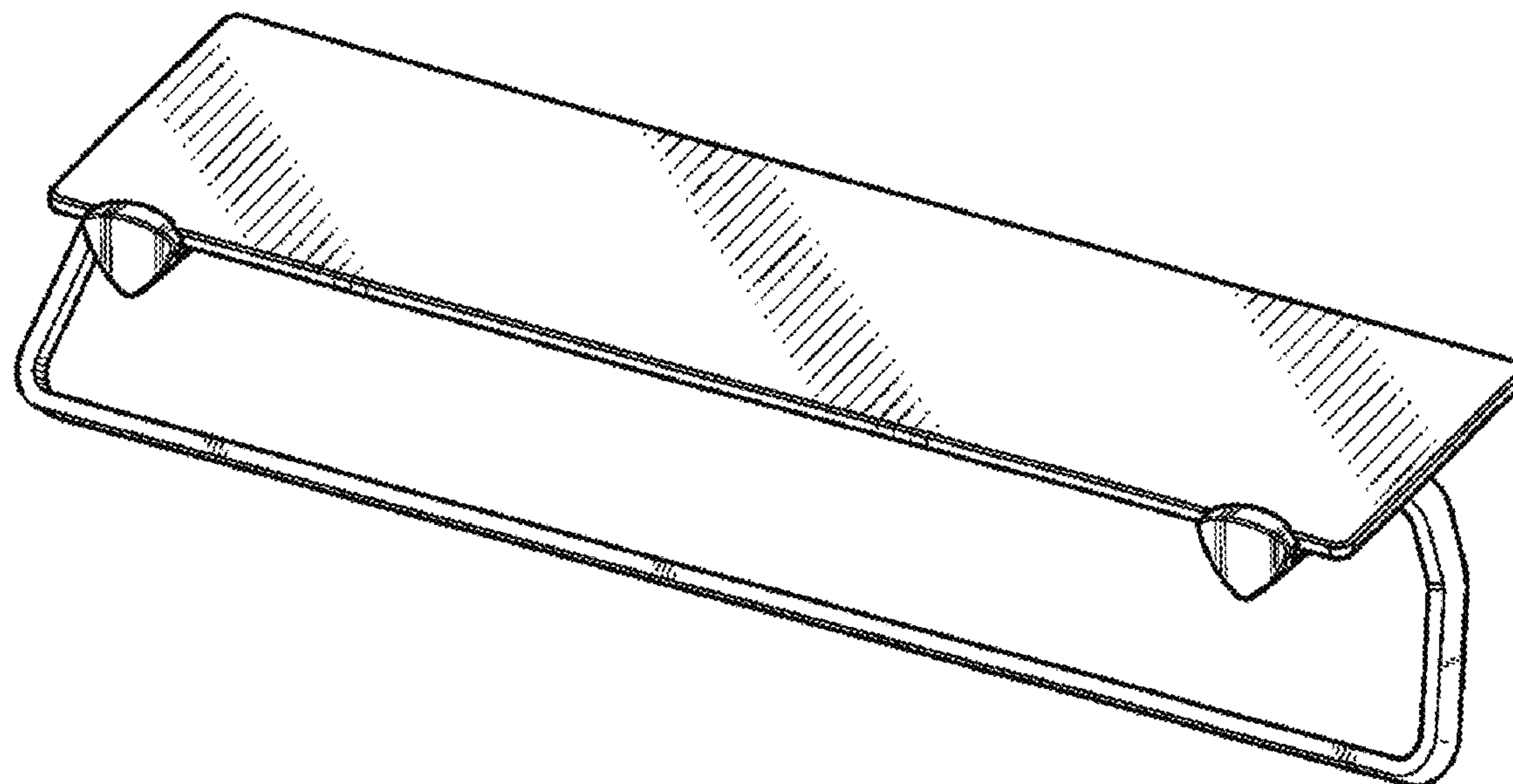
(57) **CLAIM**

The ornamental design for a shelf, as shown and described.

**DESCRIPTION**

FIG. 1 is a perspective view of a shelf showing my new design;  
FIG. 2 is a bottom perspective view thereof;  
FIG. 3 is an end view thereof, the opposite end being a mirror image of the end shown;  
FIG. 4 is a top view thereof;  
FIG. 5 is a front elevational view thereof;  
FIG. 6 is a bottom view thereof; and,  
FIG. 7 is a rear view thereof.  
The broken line showing in FIG. 7 is included for the purpose of illustrating portions of the shelf and forms no part of the claimed design.

**1 Claim, 2 Drawing Sheets**



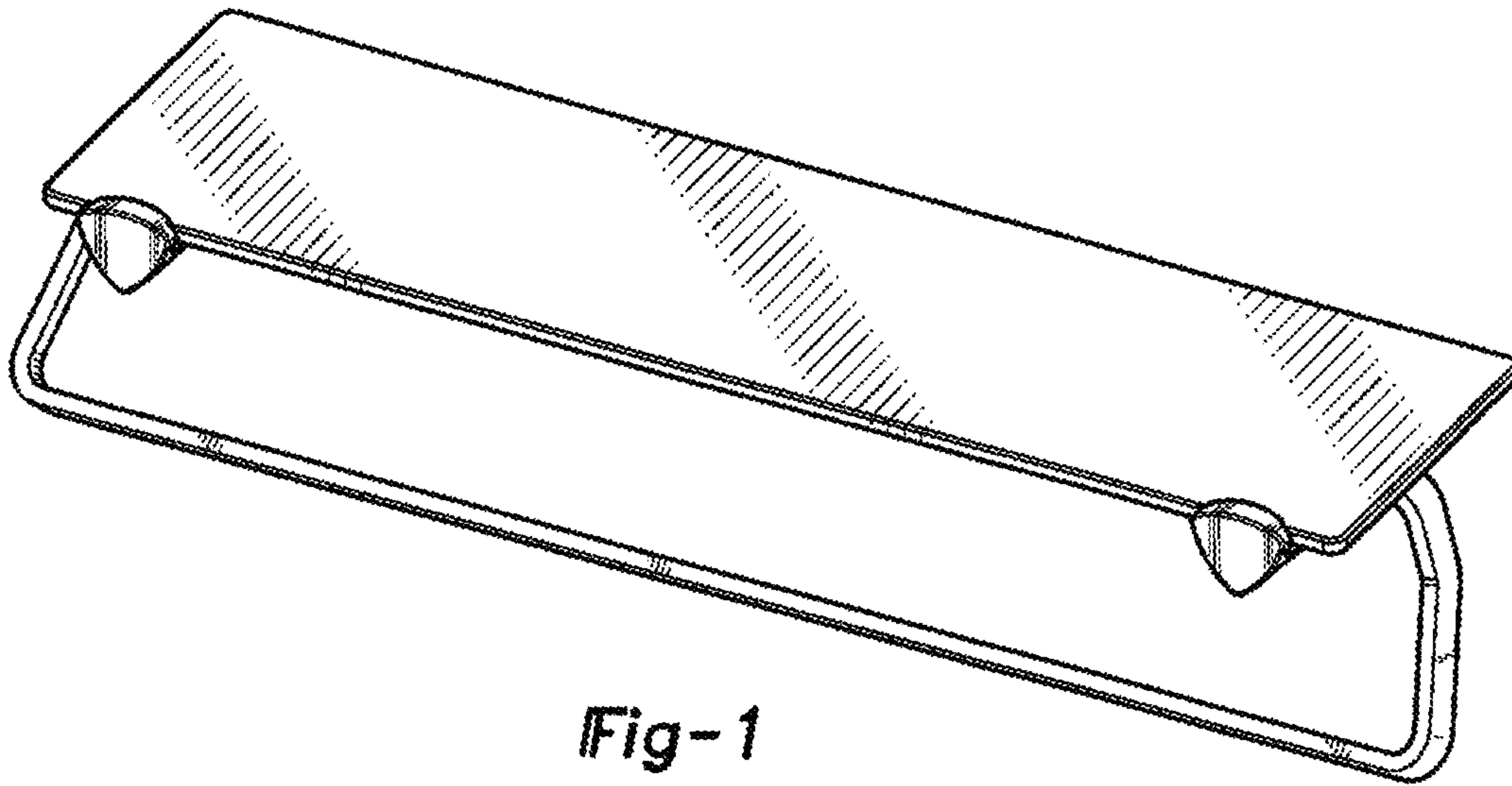


Fig-1

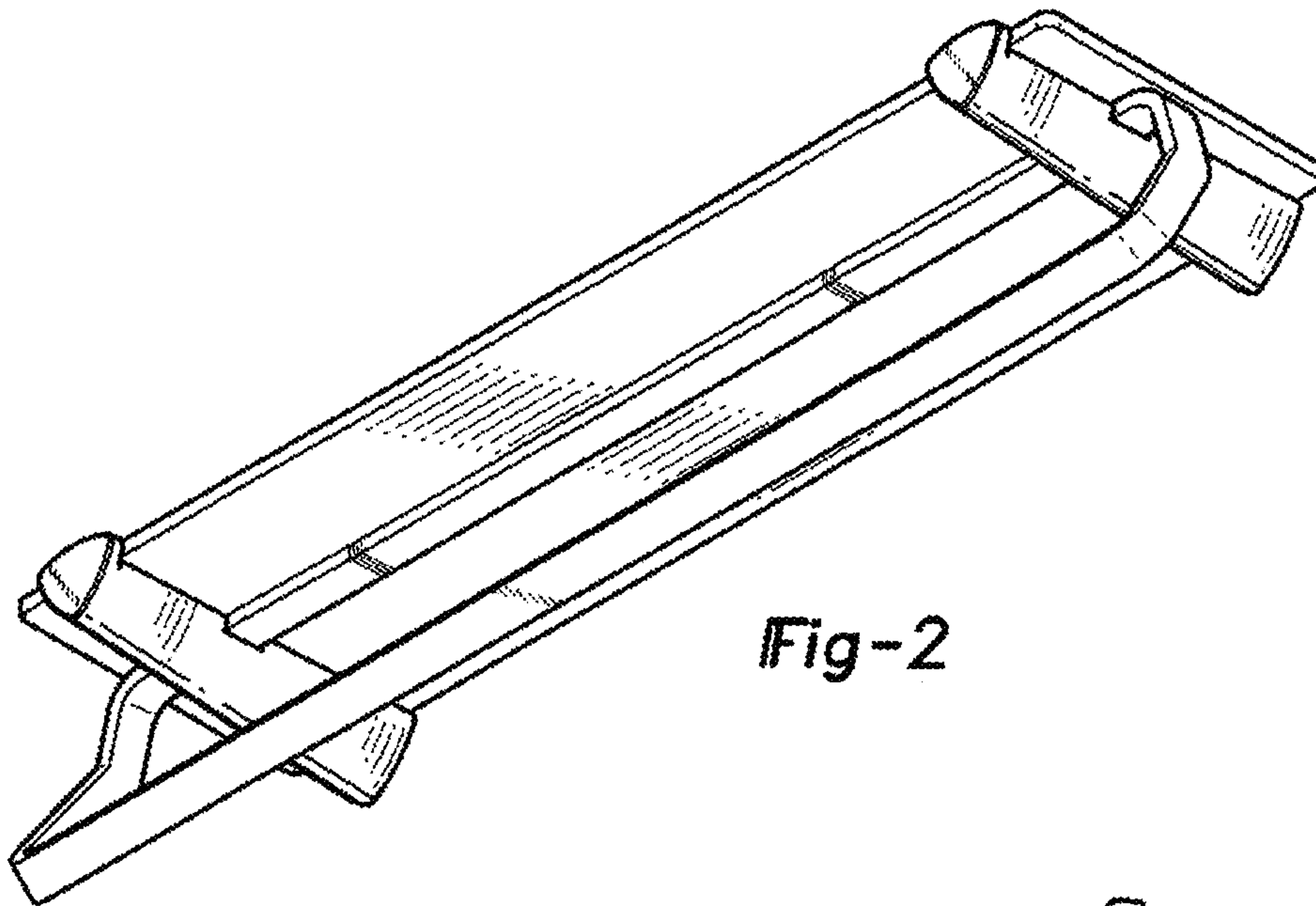


Fig-2

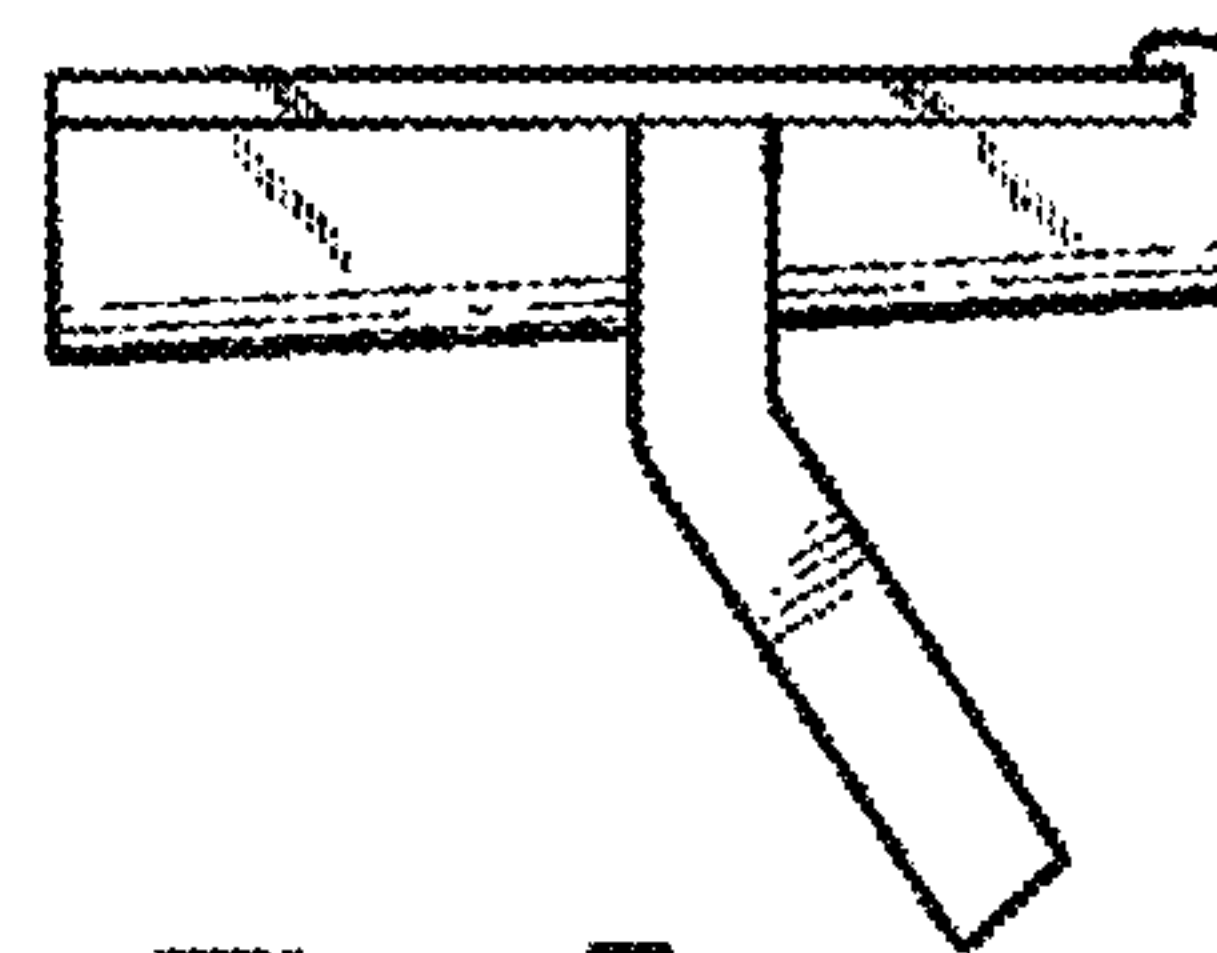


Fig-3

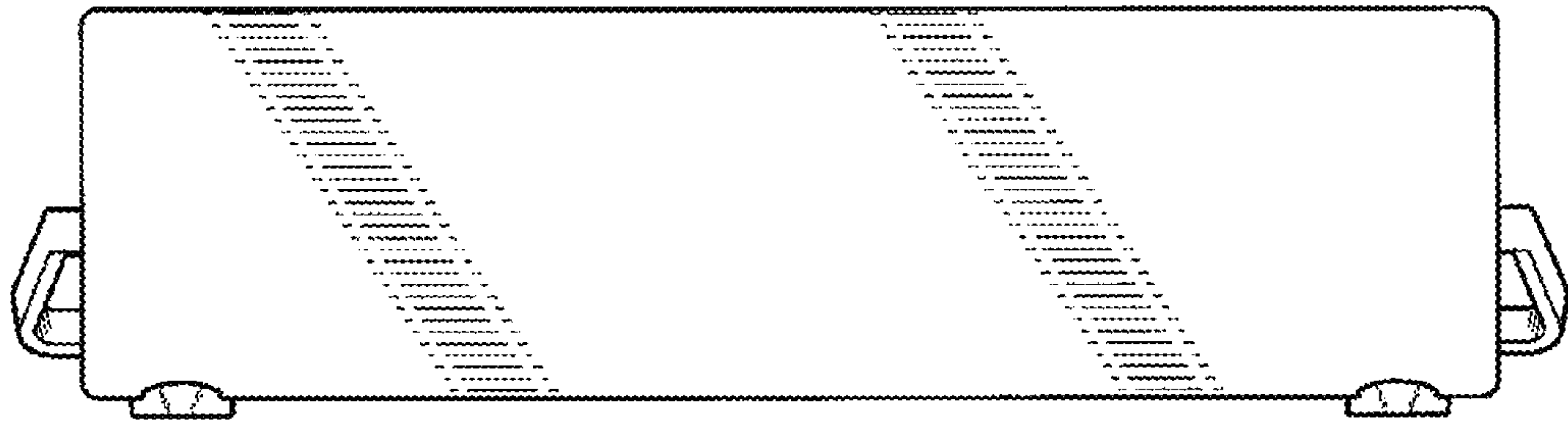


Fig-4

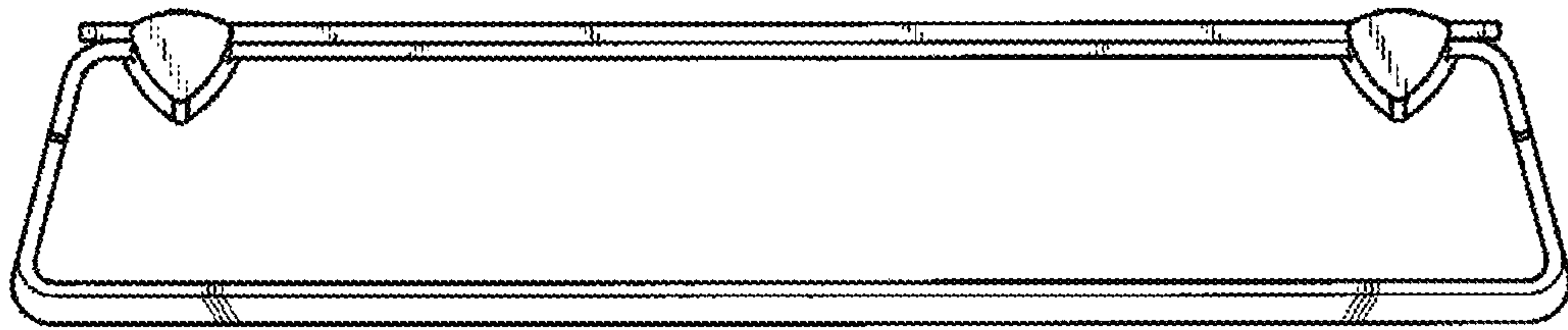


Fig-5

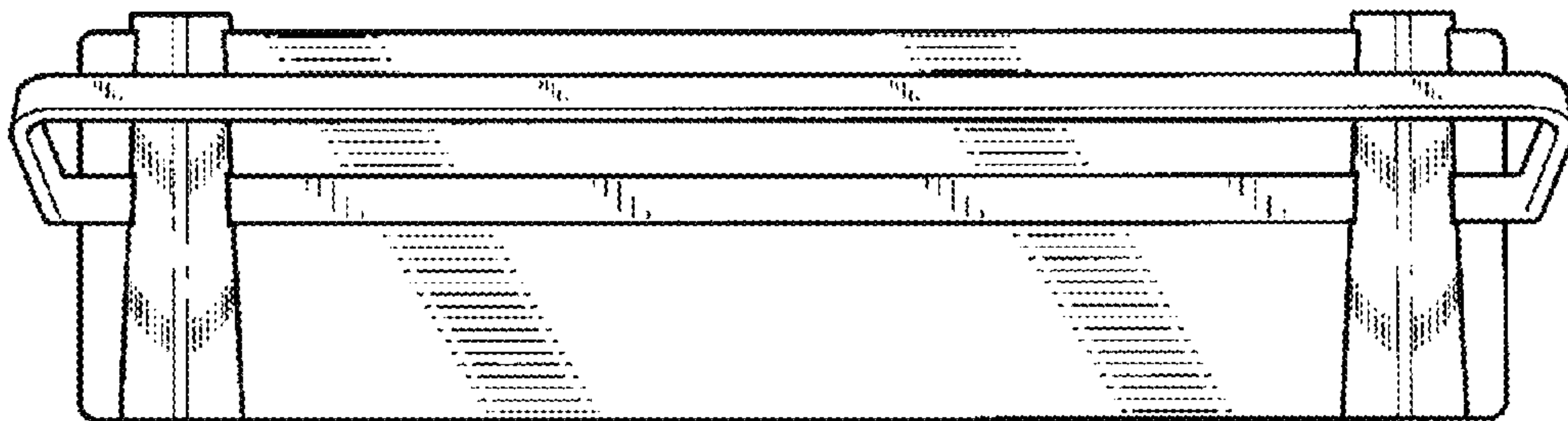


Fig-6

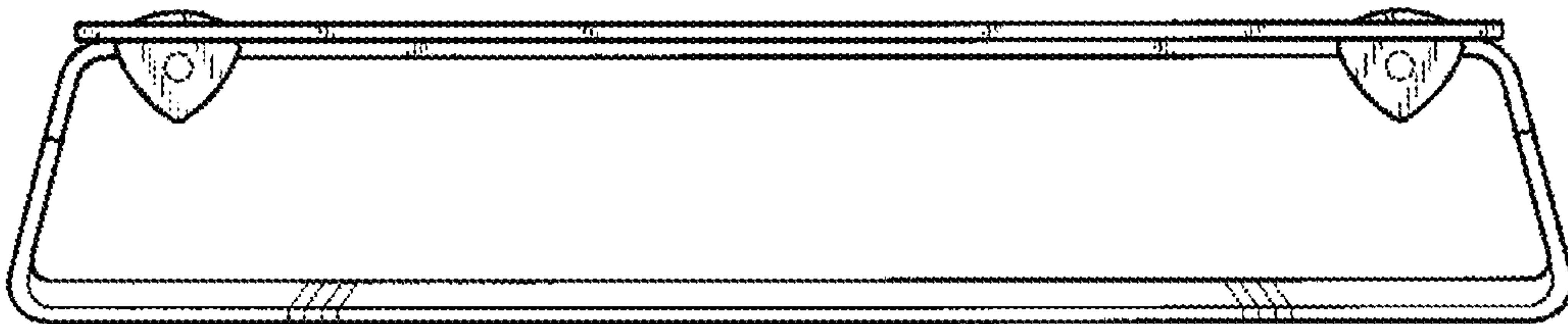


Fig-7