



US00D770199S

(12) **United States Design Patent** (10) **Patent No.:** **US D770,199 S**
Dorrance (45) **Date of Patent:** **** Nov. 1, 2016**

- (54) **BATHROOM TISSUE SPRAY CADDY**
- (71) Applicant: **Linda Bagneschi Dorrance**, Novato, CA (US)
- (72) Inventor: **Linda Bagneschi Dorrance**, Novato, CA (US)
- (**) Term: **15 Years**
- (21) Appl. No.: **29/527,812**
- (22) Filed: **May 21, 2015**
- (51) **LOC (10) Cl.** **06-04**
- (52) **U.S. Cl.**
USPC **D6/525**
- (58) **Field of Classification Search**
USPC D6/553, 524, 536, 540, 566, 525;
211/13.1, 74, 71.01, 86.01, 75, 126.1,
211/133.5, 181.1, 134
CPC A47K 17/00; A47K 3/281; A47K 3/001;
B23P 17/04; A47B 57/265; A47B 57/565;
A47B 57/26
See application file for complete search history.

(56) **References Cited**

U.S. PATENT DOCUMENTS

4,606,523	A *	8/1986	Statz	A47G 23/0225
					211/74
D387,595	S *	12/1997	Whang	D6/525
D424,770	S *	5/2000	Watkins	D34/12
D477,947	S *	8/2003	Snell	D6/525
D479,073	S *	9/2003	Snell	D6/525
D479,074	S *	9/2003	Snell	D6/525
D481,236	S *	10/2003	Hunt	D6/525
D489,207	S *	5/2004	Rosen	D6/525
D493,991	S *	8/2004	Dretzka	D6/525
D501,106	S *	1/2005	Suero, Jr.	D6/514
D512,861	S *	12/2005	Rosen	D6/525
D552,391	S *	10/2007	Rosen	D6/525
D552,392	S *	10/2007	Rosen	D6/525
D563,709	S *	3/2008	Snell	D6/566
D564,271	S *	3/2008	Snider	D6/525

D564,816	S *	3/2008	Snider	D6/525
D566,439	S *	4/2008	Dretzka	D6/525
D566,440	S *	4/2008	Dretzka	D6/525
D566,441	S *	4/2008	Dretzka	D6/525
D572,061	S *	7/2008	Snider	D6/525
D572,062	S *	7/2008	Snider	D6/525
D578,762	S *	10/2008	Smith	D6/306
D595,076	S *	6/2009	Snider	D6/525
D601,836	S *	10/2009	Carr	D6/525
D603,198	S *	11/2009	Guindi	D6/525
D615,333	S *	5/2010	Snell	D6/525
D617,128	S *	6/2010	Guindi	D6/525
D628,000	S *	11/2010	Lindo	D6/525
D630,035	S *	1/2011	Snider	D6/525
D632,513	S *	2/2011	Cittadino	D6/525
D632,514	S *	2/2011	Didehvar	D6/525
D632,908	S *	2/2011	Tincher	D6/513
D640,488	S *	6/2011	Didehvar	D6/525
D641,190	S *	7/2011	Cittadino	D6/525

(Continued)

Primary Examiner — Wan Laymon
Assistant Examiner — Mark Booker

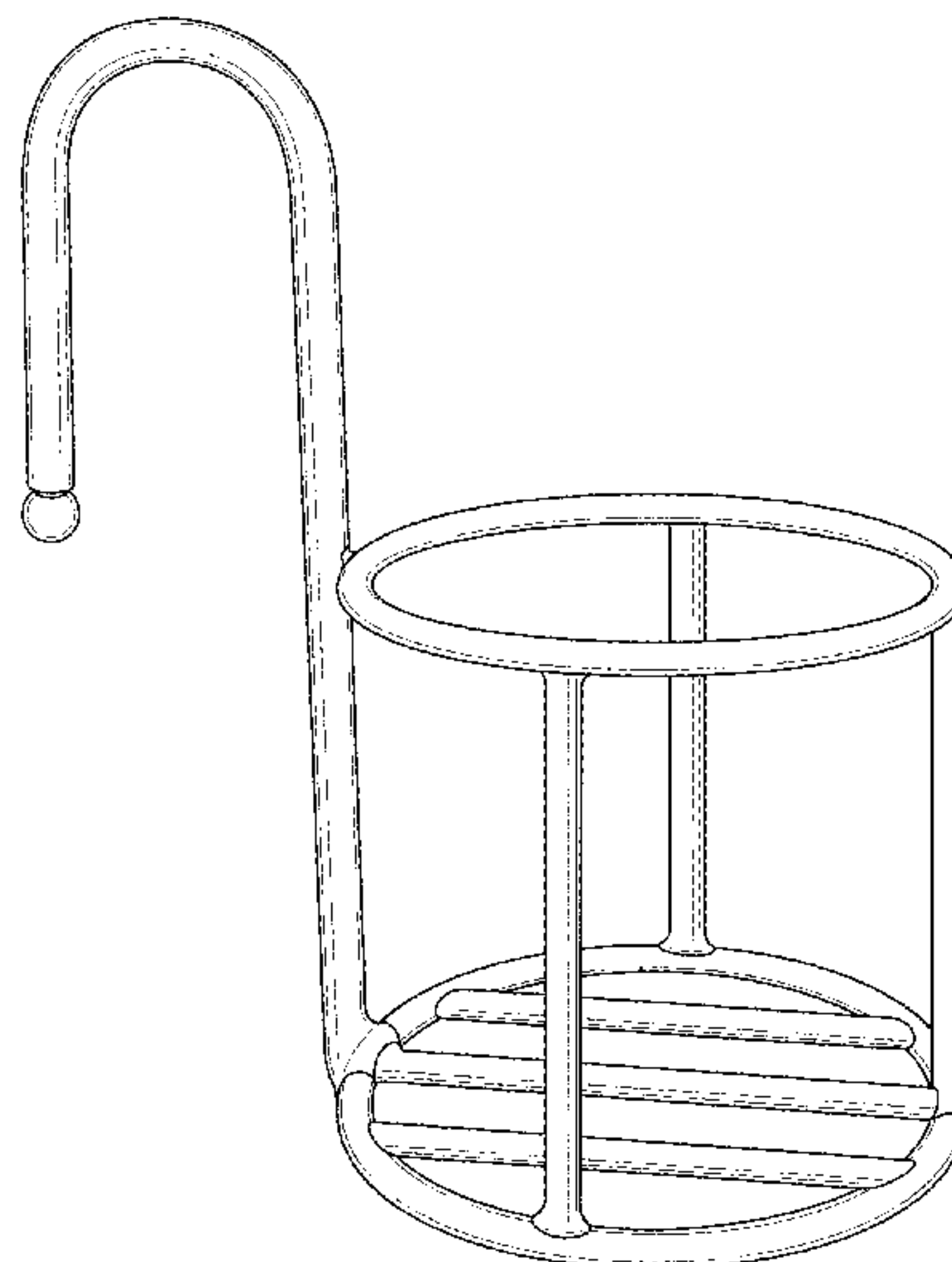
(57) **CLAIM**

The ornamental design for a bathroom tissue spray caddy, as shown and described.

DESCRIPTION

FIG. 1 is a perspective view of a bathroom tissue spray caddy showing my new design. FIG. 2 is a top view thereof; FIG. 3 is a front view thereof; FIG. 4 is a right view thereof; FIG. 5 is a left view thereof; FIG. 6 is a rear view thereof; FIG. 7 is a bottom view thereof; and, FIG. 8 is a perspective view thereof showing the environment in which the design is used. The broken lines in FIG. 8 showing a bottle in the bathroom tissue spray caddy, and the caddy hanging from a bathroom tissue dispenser are used for illustrative purposes only and form no part of the claimed design.

1 Claim, 8 Drawing Sheets



(56)

References Cited

U.S. PATENT DOCUMENTS

D641,191 S *	7/2011	Walker	D6/525	D669,636 S *	10/2012	Goodman	D28/38
D643,657 S *	8/2011	Cittadino	D6/525	D703,403 S *	4/2014	Dey	D32/35
D644,050 S *	8/2011	Cittadino	D6/525	D721,926 S *	2/2015	Ferren	D7/641
D647,746 S *	11/2011	Tawil	D6/525	D723,302 S *	3/2015	Goodman	D6/566
D647,747 S *	11/2011	Guindi	D6/525	D732,828 S *	6/2015	Thompson	D3/315
D652,690 S *	1/2012	Goodman	D7/637	D738,166 S *	9/2015	Goodman	D7/640
D669,635 S *	10/2012	Goodman	D28/38	D740,078 S *	10/2015	Goodman	D7/640
					D754,491 S *	4/2016	Goodman	D7/640
					2004/0245734 A1 *	12/2004	Thomas	B62B 1/10 280/47.26

* cited by examiner

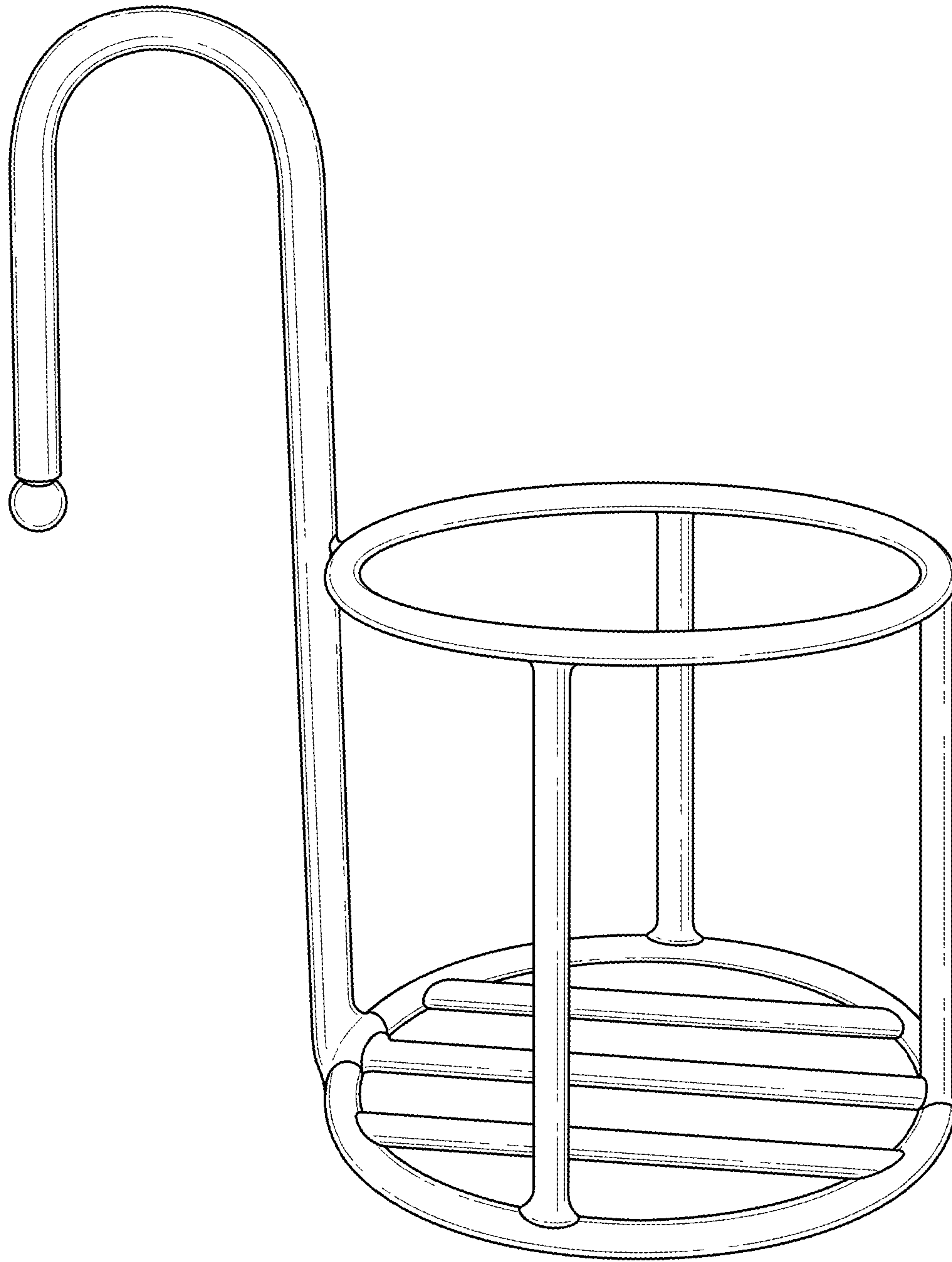


FIG. 1

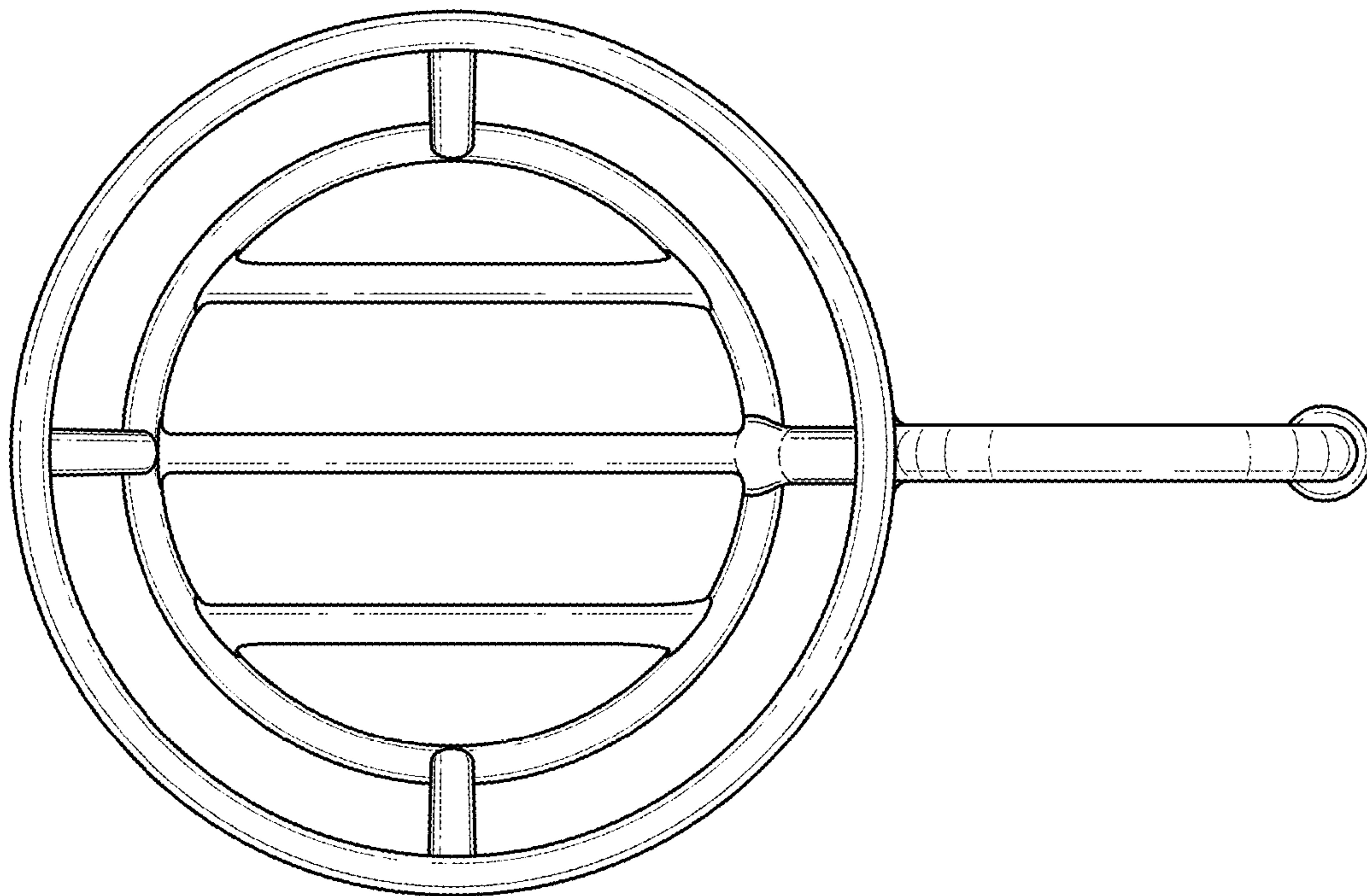


FIG. 2

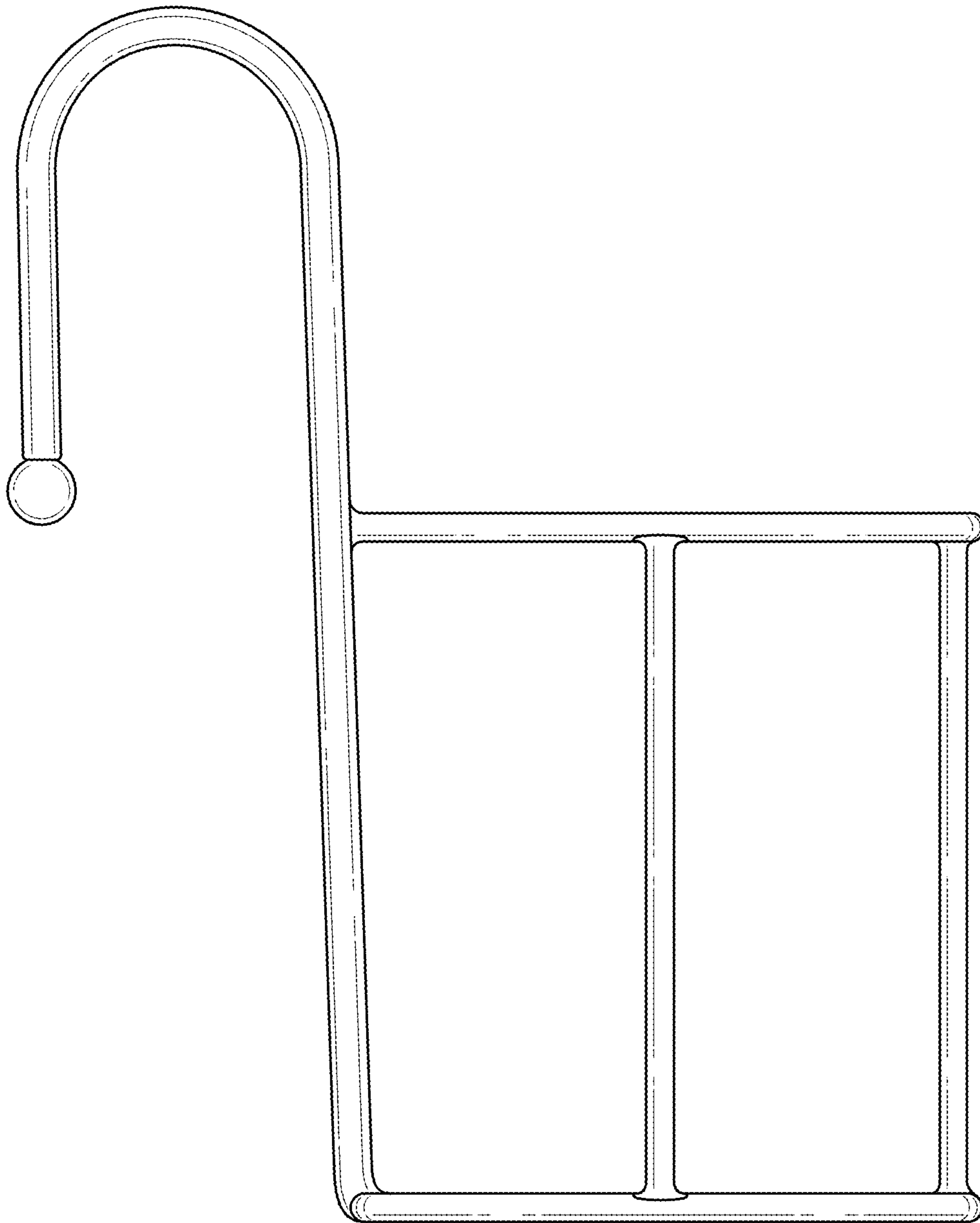


FIG. 3

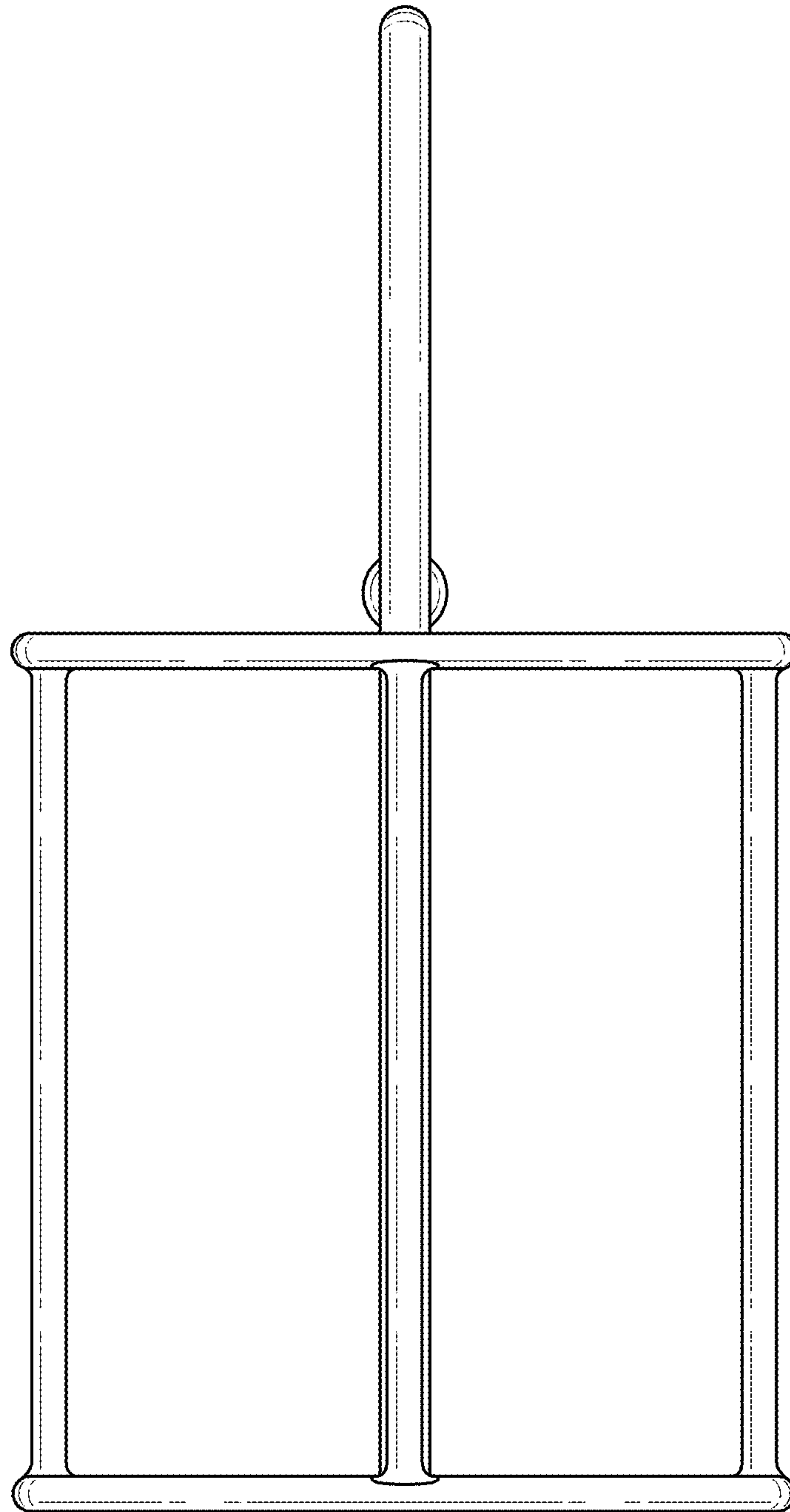


FIG. 4

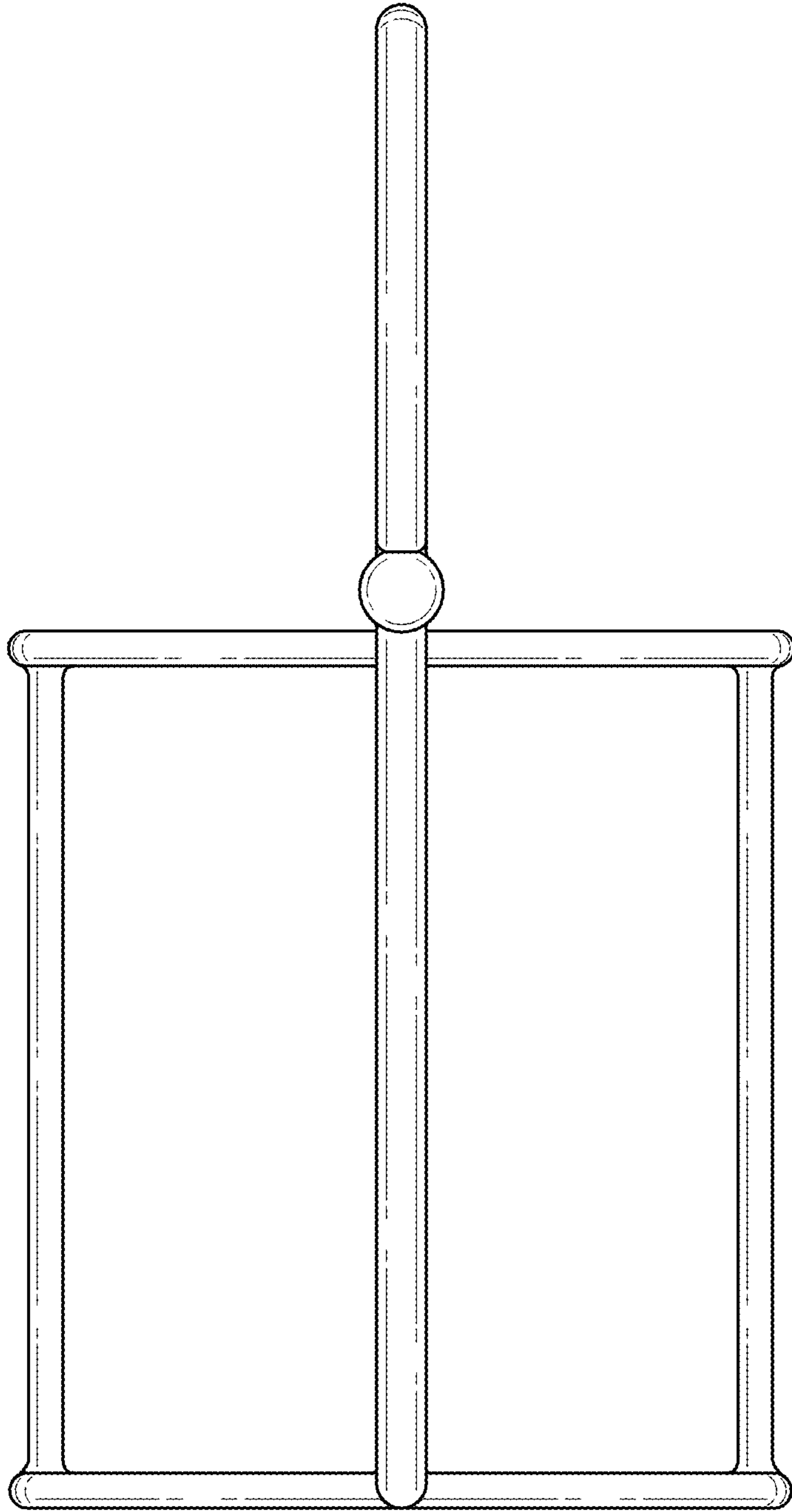


FIG. 5

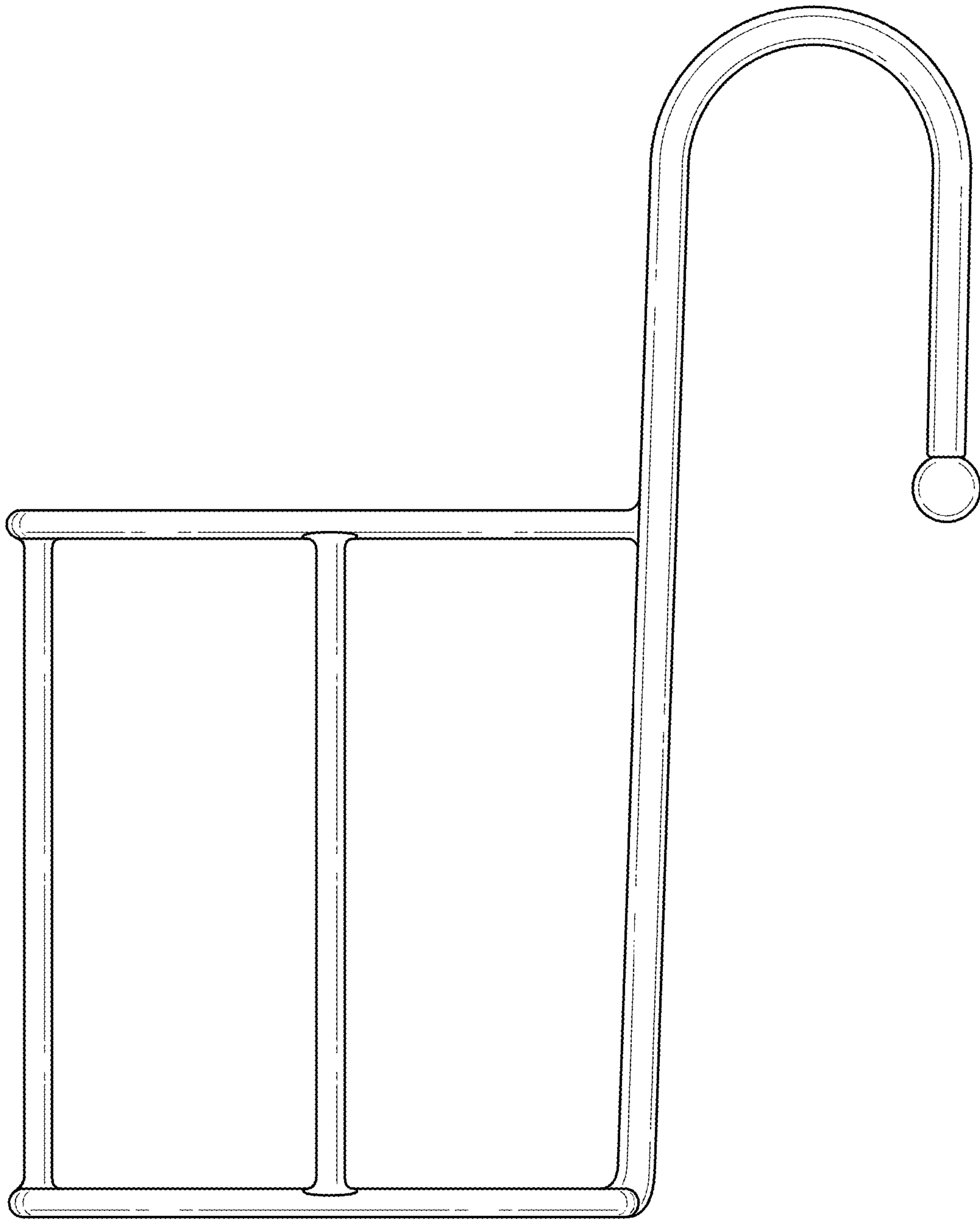


FIG. 6

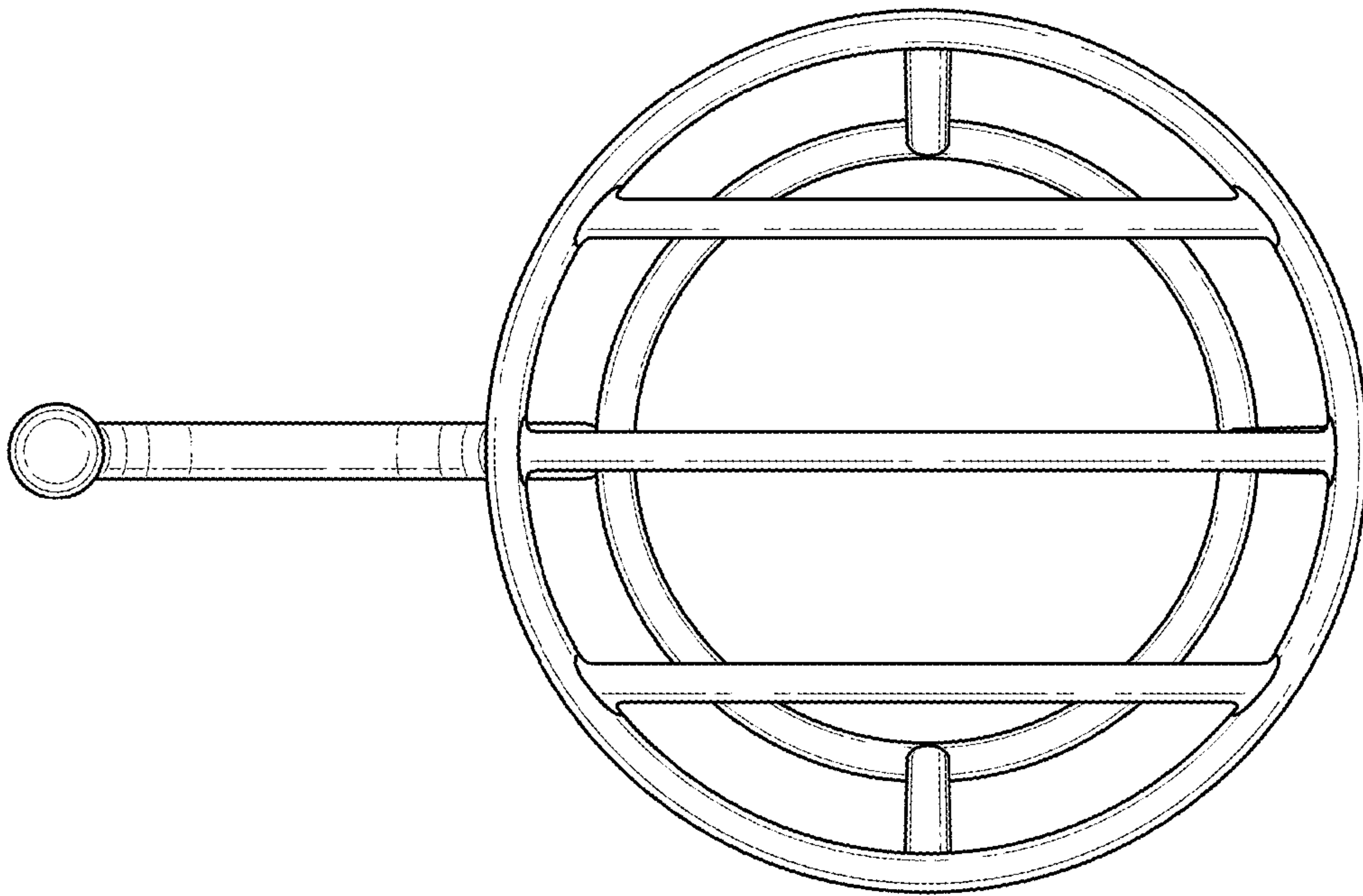


FIG. 7

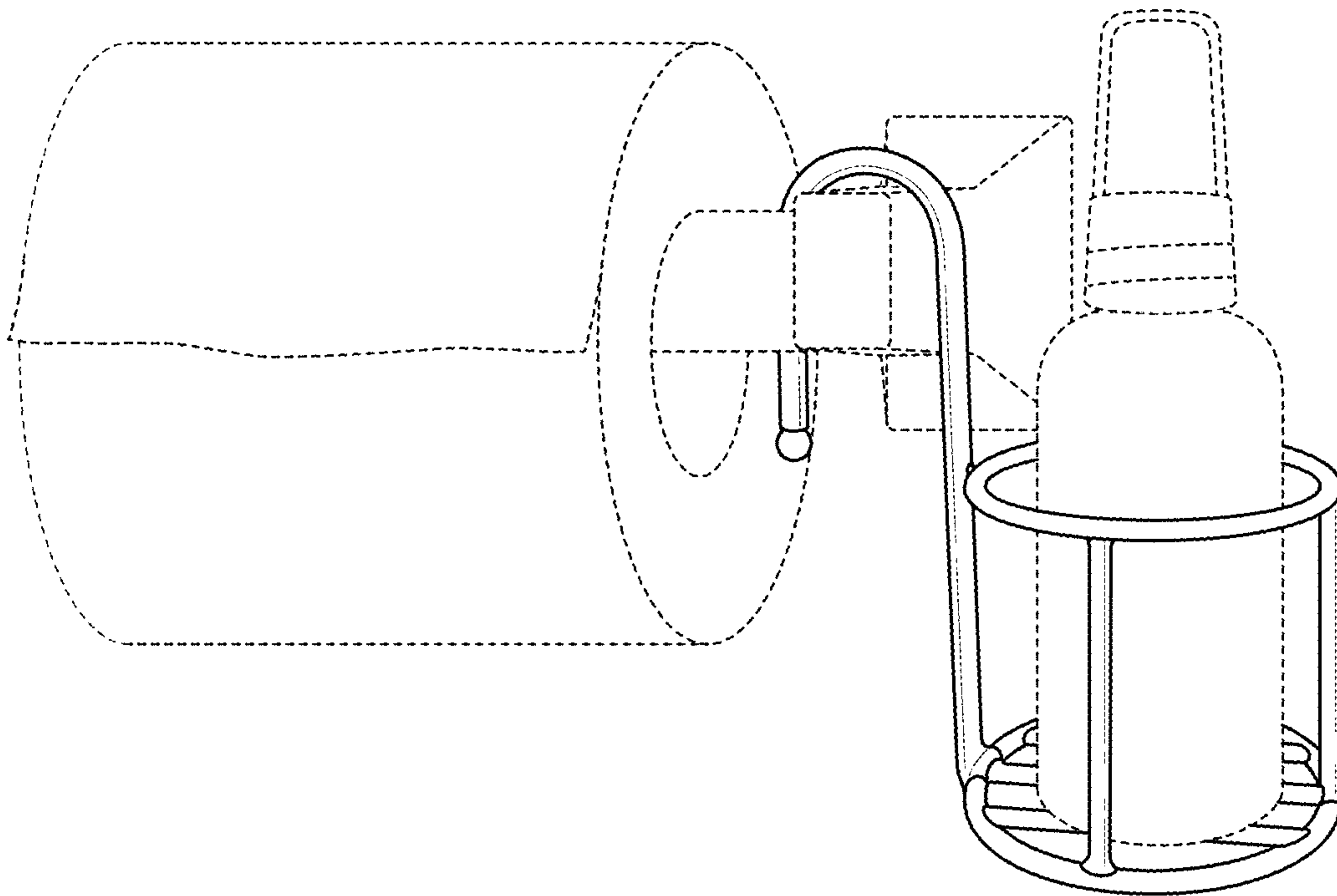


FIG. 8