



US00D770198S

(12) **United States Design Patent** (10) **Patent No.:** **US D770,198 S**
Yang et al. (45) **Date of Patent:** **** Nov. 1, 2016**

- (54) **SHELVING SYSTEM**
- (71) Applicant: **simplehuman, LLC**, Torrance, CA (US)
- (72) Inventors: **Frank Yang**, Rancho Palos Verdes, CA (US); **Zachary Rapoport**, Northridge, CA (US); **Daniel Ballou**, Long Beach, CA (US)
- (73) Assignee: **simplehuman, LLC**, Torrance, CA (US)
- (**) Term: **14 Years**
- (21) Appl. No.: **29/518,582**
- (22) Filed: **Feb. 25, 2015**
- (51) **LOC (10) Cl.** **23-02**
- (52) **U.S. Cl.**
 USPC **D6/525**
- (58) **Field of Classification Search**
 USPC D6/524-525, 566, 536, 540, 567, 570;
 211/13.1, 74, 71.01, 86.01, 75, 88.01,
 211/90.01, 90.03, 106, 119, 126.1, 133.5,
 211/181.1, 134
 CPC A47B 81/00; A47B 45/00; A47B 57/00;
 A47B 57/26; A47B 96/02; B65D 21/086;
 B65D 25/04
- See application file for complete search history.

(56) **References Cited**
 U.S. PATENT DOCUMENTS

141,186 A	7/1873	Thomas
163,852 A	6/1875	Denman
181,593 A	8/1876	Randall
284,090 A	8/1883	Tingle
387,758 A	8/1888	Barnhart
397,558 A	2/1889	Lumley
434,708 A	8/1890	Grier
475,020 A	5/1892	Perry
477,291 A	6/1892	Bomar
496,961 A	5/1893	Trude

527,273 A	10/1894	Fowler
536,272 A	3/1895	Edsall
543,935 A	8/1895	Hostler
612,061 A	10/1898	Shambaugh
613,231 A	11/1898	Bennett

(Continued)

FOREIGN PATENT DOCUMENTS

AU	364938	10/2015
AU	364939	10/2015

(Continued)

OTHER PUBLICATIONS

Simplehuman website, adjustable shower shelf, Dec. 23, 2015, http://www.simplehuman.com/shower-shelf-anodized-aluminum.*

(Continued)

Primary Examiner — David Muller

Assistant Examiner — Nathan Johnston

(74) *Attorney, Agent, or Firm* — Knobbe, Martens, Olson & Bear, LLP

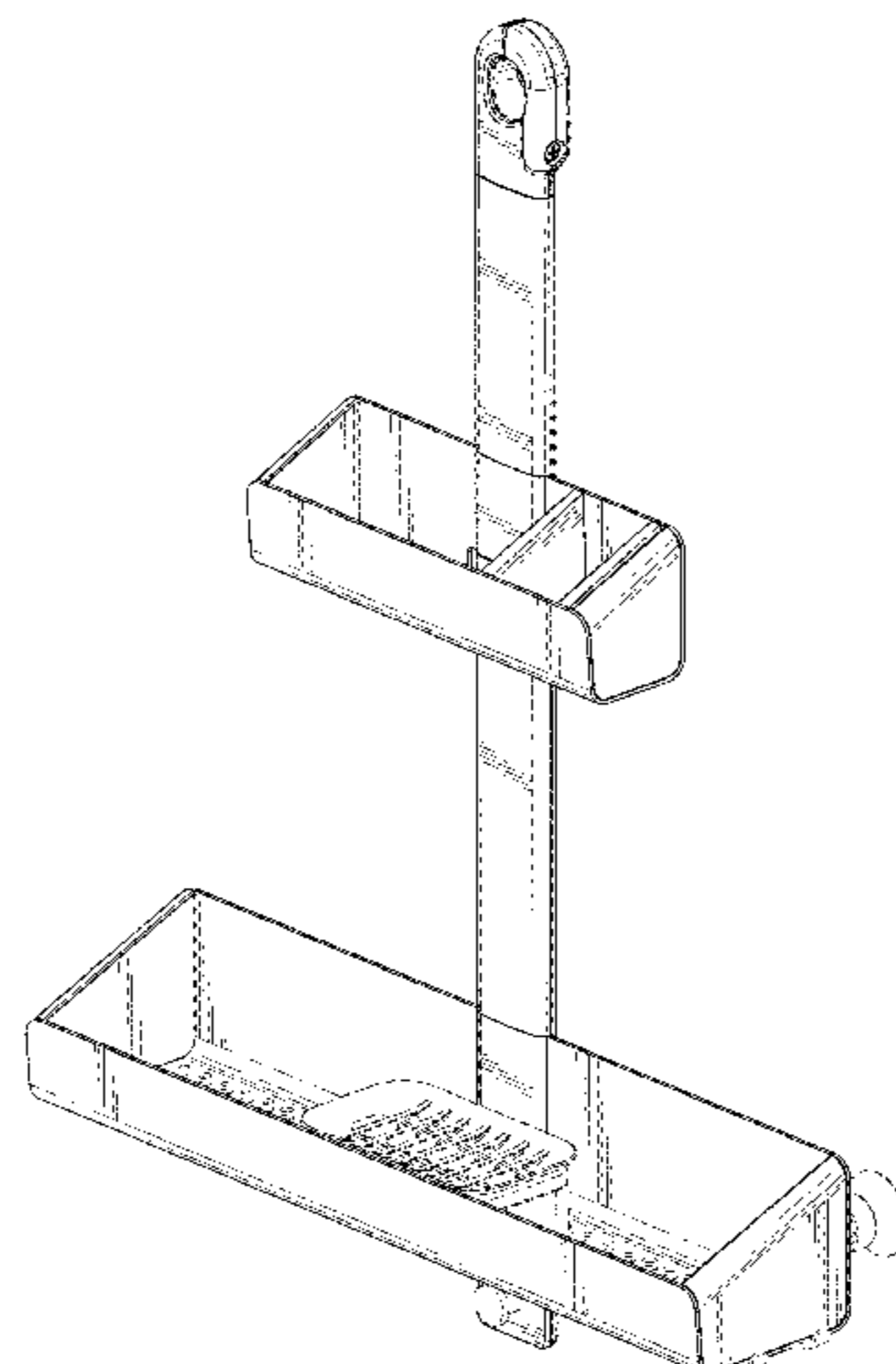
(57) **CLAIM**

The ornamental design for a shelving system, as shown and described.

DESCRIPTION

FIG. 1 is a top, front, left-side perspective view of a shelving system showing our new design;
 FIG. 2 is a bottom, rear, right-side perspective view thereof;
 FIG. 3 is a front elevation view thereof;
 FIG. 4 is a rear elevation view thereof;
 FIG. 5 is a left-side elevation view thereof;
 FIG. 6 is a right-side elevation view thereof;
 FIG. 7 is a top plan view thereof; and,
 FIG. 8 is a bottom plan view thereof.
 All features in broken lines form no part of the claimed subject matter.

1 Claim, 7 Drawing Sheets



(56)

References Cited

U.S. PATENT DOCUMENTS

618,425 A	1/1899	Manger	3,854,686 A	12/1974	Konstant
626,739 A	6/1899	Vanderman	3,894,707 A	7/1975	Heard
644,080 A	2/1900	Huebel	3,907,119 A	9/1975	Franz
661,755 A	11/1900	Thurstensen	3,923,162 A	12/1975	Hussey
799,233 A	9/1905	Hubbell	D239,579 S	4/1976	Taub
839,339 A	12/1906	Tuttle	3,954,182 A	5/1976	McEvers
841,866 A	1/1907	Hollis	3,983,823 A	10/1976	McDonnell
845,917 A	3/1907	Worley	3,998,334 A	12/1976	Smith
913,955 A	3/1909	Hansen	4,018,019 A	4/1977	Raith et al.
970,485 A	9/1910	Frey	4,033,539 A	7/1977	Bardocz
1,026,149 A	5/1912	Crane	4,059,915 A	11/1977	Owens
1,071,428 A	8/1913	Jones	4,096,951 A	6/1978	Menssen
1,254,094 A	1/1918	Vogt	4,106,736 A	8/1978	Becker, III et al.
1,446,036 A	2/1923	Willaim	D250,560 S	12/1978	Gordon
1,478,339 A	12/1923	Wade	4,154,356 A	5/1979	Schieve
1,511,704 A	10/1924	Buck	4,192,426 A	3/1980	Gauthier
1,554,137 A	9/1925	Slifkin	4,215,840 A	8/1980	Babberl
1,582,762 A	4/1926	Klock	4,232,790 A	11/1980	Serrano
1,639,551 A	8/1927	Booth	4,274,400 A	6/1981	Baus
1,931,321 A	10/1933	Keil	4,310,193 A	1/1982	Kolleas
2,012,452 A	8/1935	Littell	4,360,283 A	11/1982	Psotta
2,042,517 A	6/1936	Ellis	4,387,811 A	6/1983	Ragir et al.
2,157,309 A	5/1939	Swedman et al.	4,415,091 A	11/1983	Wolff
2,199,851 A	5/1940	Freeman	4,415,211 A	11/1983	Alissandratos
2,254,770 A	9/1941	Bitney	4,428,488 A	1/1984	McAvinn et al.
2,513,889 A	7/1950	Nilsson	4,437,450 A	3/1984	Connelly
2,593,738 A	4/1952	Dollahite	D273,645 S	5/1984	McEvers
2,675,782 A	4/1954	Lage et al.	D274,201 S	6/1984	Aaron
2,677,519 A	5/1954	Hobson	4,511,047 A	4/1985	Elinsky
2,746,661 A	5/1956	Kaplan	4,541,131 A	9/1985	Sussman
2,788,902 A	4/1957	Nowicki	4,559,879 A	12/1985	Hausser
2,837,219 A	6/1958	Ferdinand et al.	D286,599 S	11/1986	Sussman
2,868,386 A	1/1959	Seyforth	D289,353 S	4/1987	Davis et al.
2,919,873 A	1/1960	Tice	4,664,428 A	5/1987	Bridges
2,923,415 A	2/1960	Brown	D293,183 S *	12/1987	Aaron D6/525
2,923,428 A	2/1960	Averill	4,761,092 A	8/1988	Nakatani
2,928,512 A	3/1960	Slater et al.	4,771,897 A	9/1988	Ho
2,932,873 A	4/1960	Reichert	4,771,899 A	9/1988	Benedict et al.
2,936,146 A	5/1960	Wunder	4,776,471 A	10/1988	Elkins
2,937,766 A	5/1960	Penn	4,786,022 A	11/1988	Grieshaber
2,941,669 A	6/1960	Paley et al.	4,805,784 A	2/1989	Solheim et al.
D188,332 S	7/1960	Salen	4,860,909 A	8/1989	Leumi
D189,722 S	2/1961	Wolf	4,865,283 A	9/1989	Parker
2,976,003 A	3/1961	Foster	4,869,378 A	9/1989	Miller
2,977,953 A	4/1961	Dowdy	4,869,379 A	9/1989	Hawkrige
3,035,708 A	5/1962	Freeman	4,875,593 A	10/1989	Trimble
3,043,440 A	7/1962	Berlin	4,883,399 A	11/1989	MacLean
3,059,374 A	10/1962	Bernay	4,895,331 A	1/1990	Nehls
3,088,598 A	5/1963	Werneke	4,909,467 A	3/1990	Shan-Pao
D195,412 S	6/1963	Vernik	D314,294 S	2/1991	Axhamre
3,111,723 A	11/1963	Bates	4,998,647 A	3/1991	Sharp
3,115,107 A	12/1963	Glenny	D315,840 S	4/1991	Emery
3,119,496 A	1/1964	Burk	5,014,860 A	5/1991	Emery
3,124,253 A	3/1964	Pelrich et al.	5,023,755 A	6/1991	Rosenberg
3,132,609 A	5/1964	Chesley	5,083,670 A	1/1992	Zimmer
3,138,260 A	6/1964	Tedrick	D327,187 S	6/1992	Swon
3,181,923 A	5/1965	Guillon et al.	5,127,528 A	7/1992	Cone
3,239,182 A	3/1966	Blanz	5,160,101 A	11/1992	Ferraro et al.
3,266,764 A	8/1966	Briles	5,165,644 A	11/1992	Allen
3,307,710 A	3/1967	Negri	5,180,067 A	1/1993	Conaway et al.
3,319,983 A	5/1967	Zibell	5,190,170 A	3/1993	Steiner
3,343,685 A	9/1967	Giambalvo	5,192,427 A	3/1993	Eger et al.
3,471,031 A	10/1969	Coplan	5,197,614 A	3/1993	Dalton et al.
3,533,583 A	10/1970	Azim	D340,604 S *	10/1993	Conaway D6/525
3,593,857 A	7/1971	Hernes	5,255,401 A	10/1993	Sambrookes et al.
D222,276 S	10/1971	Hughes	5,284,260 A	2/1994	Caligiuri, Sr.
3,641,922 A	2/1972	Nachazel et al.	5,307,797 A	5/1994	Kleefeld
3,661,121 A	5/1972	Zielin	5,318,175 A	6/1994	Stevens
3,695,455 A	10/1972	Larson	D351,751 S	10/1994	Brightbill et al.
3,710,096 A	1/1973	McFarlin	5,355,867 A	10/1994	Hall et al.
3,734,439 A	5/1973	Wintz	5,429,252 A	7/1995	Liu
3,787,078 A	1/1974	Williams	5,462,178 A	10/1995	Wallach et al.
3,789,996 A	2/1974	Stroh	5,483,761 A	1/1996	Simpson
3,791,091 A	2/1974	Albrizzi	5,505,318 A	4/1996	Goff
3,807,574 A	4/1974	Lanza	5,505,319 A	4/1996	Todd, Jr.
			D370,809 S *	6/1996	Munoz D6/525
			5,524,772 A	6/1996	Simmons
			5,527,273 A	6/1996	Manna et al.
			5,588,543 A	12/1996	Finger

(56)

References Cited

U.S. PATENT DOCUMENTS

D377,286 S	1/1997	Munoz	6,619,164 B1	9/2003	Ricci et al.
D378,556 S	3/1997	Munoz	6,648,152 B2	11/2003	Bermes
5,632,049 A	5/1997	Chen	D483,251 S	12/2003	Suero, Jr.
D382,733 S	8/1997	Goetz	D485,462 S	1/2004	Suero, Jr.
5,666,940 A	9/1997	Kreiter	6,688,238 B1	2/2004	Alexiou
D387,595 S	12/1997	Whang	6,726,034 B2	4/2004	Holbrook et al.
5,692,817 A	12/1997	Jun et al.	D489,207 S	5/2004	Rosen
5,697,508 A	12/1997	Rifkin et al.	D492,188 S	6/2004	Goldberg
5,702,010 A	12/1997	Liang	6,758,355 B2	7/2004	Zidek
D388,642 S	1/1998	Winter	D493,991 S	8/2004	Dretzka
5,735,413 A	4/1998	Allen	D495,549 S	9/2004	Yu et al.
5,772,048 A	6/1998	Sopcisak	D496,549 S *	9/2004	Snell D6/525
5,772,050 A	6/1998	Shih	D498,102 S	11/2004	Snell
D395,773 S	7/1998	Hofman	6,824,000 B2	11/2004	Samelson
D396,379 S	7/1998	Stoetzl	6,824,225 B2	11/2004	Stiffler
D396,585 S	8/1998	Hofman	6,848,144 B1	2/2005	McDonald
D400,745 S *	11/1998	France D6/525	6,871,748 B2	3/2005	Suttles
5,833,192 A	11/1998	Buhrman	6,918,498 B2	7/2005	Sparkowski
D402,145 S	12/1998	Hofman et al.	D509,361 S	9/2005	Suero, Jr.
5,855,184 A	1/1999	Eichler et al.	6,957,794 B2	10/2005	Landreville et al.
5,855,286 A	1/1999	Zaid	D512,861 S	12/2005	Rosen
5,897,002 A	4/1999	Carlino	6,983,853 B1	1/2006	Fickett
5,899,423 A	5/1999	Albertini	D516,901 S	3/2006	Murray
5,934,636 A	8/1999	Cyrell	7,021,814 B2	4/2006	Berardi
5,941,397 A	8/1999	Buchanan et al.	7,059,271 B2	6/2006	Santa Cruz et al.
5,944,896 A	8/1999	Landesman et al.	7,086,633 B2	8/2006	Welch et al.
5,984,114 A	11/1999	Frankel	D530,551 S	10/2006	Snell
D417,991 S	12/1999	Hofman et al.	D533,283 S	12/2006	Holztrager
D419,020 S	1/2000	Emery et al.	D534,062 S	12/2006	van den Bosch
6,017,009 A	1/2000	Swartz et al.	7,152,488 B2	12/2006	Hedrich et al.
D421,692 S	3/2000	Wojtowicz et al.	7,195,213 B2	3/2007	Weatherly
D421,867 S	3/2000	Carville et al.	D543,747 S	6/2007	Harwanko
6,050,426 A	4/2000	Leurdijk	D544,786 S	6/2007	Barrese
D424,355 S	5/2000	Barton	7,229,059 B1	6/2007	Hood
6,065,618 A	5/2000	Stetler	D546,879 S	7/2007	Qiu
D427,469 S	7/2000	Thurston-Chartraw et al.	7,246,711 B1	7/2007	Metcalf
D429,091 S	8/2000	Chen	D552,391 S	10/2007	Rosen
D429,934 S	8/2000	Hofman	D552,393 S	10/2007	Rosen
6,113,042 A	9/2000	Welsch et al.	7,275,647 B1	10/2007	Thompson
6,119,878 A	9/2000	Zen	7,316,376 B1	1/2008	Engler
6,123,303 A	9/2000	Huang	D564,257 S	3/2008	Yang et al.
6,135,668 A	10/2000	Lin	7,347,197 B2	3/2008	Hankinson
6,152,312 A	11/2000	Nava et al.	D566,991 S	4/2008	Harwanko
6,206,206 B1	3/2001	Saylor et al.	D568,657 S	5/2008	Snider
6,233,877 B1	5/2001	Monroe	D568,658 S	5/2008	Yang et al.
D443,162 S	6/2001	Winter	D569,148 S	5/2008	Yang et al.
D444,333 S	7/2001	Ferrer Beltran	D569,149 S *	5/2008	Walker D6/525
D446,670 S	8/2001	Emery et al.	D572,060 S	7/2008	Snider
6,302,036 B1	10/2001	Carson et al.	D572,502 S	7/2008	Yang et al.
6,302,280 B1	10/2001	Bermes	D572,516 S	7/2008	Snider
6,311,856 B2	11/2001	Battaglia et al.	D573,386 S	7/2008	Clucas
6,318,572 B1	11/2001	Lai	D573,387 S	7/2008	Walker
6,347,777 B1	2/2002	Webber et al.	D573,822 S	7/2008	Yang et al.
6,378,709 B1	4/2002	Stuart	7,398,790 B2	7/2008	Glatz
6,394,404 B1	5/2002	Cyrell	7,401,754 B2	7/2008	Welch et al.
6,409,029 B1	6/2002	Bermes	D574,649 S	8/2008	Snider
D462,552 S	9/2002	Emery et al.	D574,650 S	8/2008	Snider
6,481,586 B1	11/2002	Hoff	7,407,060 B2	8/2008	Swartz et al.
6,494,327 B2	12/2002	Huang	D578,815 S	10/2008	Dominique et al.
6,502,794 B1	1/2003	Ting	D579,254 S	10/2008	Dominique et al.
D470,703 S	2/2003	Hoernig	D587,504 S	3/2009	Russell et al.
6,520,351 B1	2/2003	Zadro	D589,728 S	4/2009	Shaha et al.
6,527,473 B2	3/2003	Chen	D598,688 S	8/2009	Yang et al.
D472,750 S	4/2003	Clucas	7,591,385 B2	9/2009	Brooks
D473,411 S	4/2003	Walker	D615,333 S *	5/2010	Snell D6/525
6,540,430 B2	4/2003	Hsu	D622,990 S *	9/2010	Yang D6/525
6,550,739 B1	4/2003	Brindisi	D627,969 S	11/2010	Klein et al.
6,551,226 B1	4/2003	Webber et al.	D628,841 S	12/2010	Yang et al.
D475,560 S	6/2003	Suero, Jr.	D632,081 S	2/2011	Klein et al.
D475,561 S	6/2003	Suero, Jr.	D632,514 S	2/2011	Didehvar et al.
6,575,315 B2	6/2003	Zidek	D635,807 S	4/2011	Lindo
6,581,790 B1	6/2003	Zadro	D640,488 S	6/2011	Didehvar et al.
6,591,996 B1	7/2003	Wu	D641,191 S	7/2011	Walker
D477,947 S	8/2003	Snell	D641,193 S	7/2011	Vaccaro
D479,073 S	9/2003	Snell	7,975,653 B2	7/2011	Cash
			D651,837 S *	1/2012	Yang D6/525
			D651,838 S	1/2012	Yang et al.
			8,225,946 B2	7/2012	Yang et al.
			D670,520 S	11/2012	Gilbert

(56)

References Cited

U.S. PATENT DOCUMENTS

8,408,405 B2 4/2013 Yang et al.
 D683,165 S 5/2013 Yang et al.
 8,474,632 B2 7/2013 Yang et al.
 8,763,821 B2 7/2014 Yang et al.
 8,950,599 B2 2/2015 Wilder
 D726,441 S 4/2015 Yang et al.
 D727,060 S 4/2015 Yang et al.
 D734,956 S 7/2015 Yang et al.
 2001/0004064 A1 6/2001 Battaglia et al.
 2002/0158033 A1 10/2002 Chen
 2002/0172549 A1 11/2002 Koros et al.
 2003/0000905 A1 1/2003 Zidek
 2003/0132181 A1 7/2003 Saulnier-Matteini
 2003/0136782 A1 7/2003 Dicello et al.
 2003/0222191 A1 12/2003 Tsai
 2004/0188369 A1 9/2004 Yu
 2004/0188577 A1 9/2004 Gaderick
 2005/0040301 A1 2/2005 Walter
 2005/0139562 A1 6/2005 Chen
 2005/0205509 A1 9/2005 Flynn
 2005/0205722 A1 9/2005 Krueger
 2006/0038097 A1 2/2006 Diller
 2006/0124812 A1 6/2006 Berardi
 2006/0130381 A1 6/2006 Caterinacci
 2006/0180561 A1 8/2006 Wisnoski et al.
 2006/0261022 A1 11/2006 Sampaio
 2007/0045208 A1 3/2007 Quan
 2007/0194191 A1 8/2007 Persson
 2007/0235611 A1 10/2007 Riblet
 2007/0295681 A1 12/2007 Colin
 2008/0053935 A1 3/2008 Newbould et al.
 2008/0142669 A1 6/2008 Zlotocha
 2009/0134290 A1 5/2009 Begic et al.
 2009/0188880 A1 7/2009 Yang et al.
 2010/0000449 A1 1/2010 Botkin
 2013/0313212 A1 11/2013 Lindo et al.
 2015/0257533 A1 9/2015 Yang et al.
 2015/0257534 A1 9/2015 Yang et al.
 2016/0183737 A1 6/2016 Yang et al.

FOREIGN PATENT DOCUMENTS

AU 364940 10/2015
 CA 132180 7/2010
 CA 135666 3/2011
 CA 136936 3/2011
 CA 136937 9/2011
 CA 158594 12/2015
 CA 164018 3/2016
 CA 164019 3/2016
 CA 164017 4/2016
 CN 301523949 S 4/2011
 CN 301642065 S 8/2011

CN 301735061 S 11/2011
 CN 303191392 S 4/2015
 CN 303649072 S 4/2016
 CN 303649076 S 4/2016
 CN 303662895 S 5/2016
 CN 303662896 S 5/2016
 DE 29600613 U1 3/1996
 EP 0 717 947 A2 6/1996
 EP 2191757 6/2010
 EP 001217053 8/2010
 EP 001232896 10/2010
 EP 001232912 10/2010
 EP 001420582-0001 11/2014
 EP 001438428-0001 8/2015
 EP 001438394-0001 11/2015
 EP 001438410-0001 11/2015
 FR 2549361 1/1985
 JP D1136196 1/2002
 KR 3020030000821 3/2003
 WO WO 2009/097298 8/2009
 WO WO 2013/005462 A1 1/2013
 WO WO 2015/138257 A1 9/2015

OTHER PUBLICATIONS

U.S. Appl. No. 29/534,240, filed Jul. 28, 2015, Yang et al.
 White Adjustable Shower Caddy, Simplehuman SKU# BT1015, apparently available Dec. 14, 2007 on the internet at www.simplehuman.com (see <http://web.archive.org/web/20071221125437/www.simplehuman.com/products/bathroom-organization/white-shower-caddy.html>).
 U.S. Appl. No. 15/060,057, filed Mar. 3, 2016, Yang et al.
 U.S. Appl. No. 29/484,885, filed Mar. 13, 2014, Yang et al.
 U.S. Appl. No. 29/484,765, filed Mar. 12, 2014, Yang et al.
 U.S. Appl. No. 29/518,332, filed Feb. 23, 2015, Yang et al.
 U.S. Appl. No. 29/518,327, filed Feb. 23, 2015, Yang et al.
 U.S. Appl. No. 14/634,408, filed Feb. 27, 2015, Yang et al.
 U.S. Appl. No. 14/638,940, filed Mar. 4, 2015, Yang et al.
 Magnite—The Magnetic Shower Caddy by Max Hunt, Coroflot product webpage; available as early as Aug. 10, 2012 [retrieved on Feb. 17, 2015 from internet <URL: <http://www.coroflot.com/theha/Magnite-The-Magnetic-Shower-Caddy>.
 Adjustable Shower Caddy Plus—Stainless Steel + Anodized Aluminum, Simplehuman SKU# BT1099, available as early as Nov. 1, 2015 on the internet at www.simplehuman.com (see <http://www.simplehuman.com/adjustable-shower-caddy-plus-stainless-steel-anodized-aluminum>).
 Adjustable Shower Caddy—Stainless Steel + Anodized Aluminum, Simplehuman SKU# BT1098, available as early as Mar. 17, 2015 on the internet at www.simplehuman.com (see <http://www.simplehuman.com/adjustable-shower-caddy-stainless-steel-anodized-aluminum2>).
 Office Action for Canadian Application No. 164017, dated Mar. 11, 2016, in 1 page.

* cited by examiner

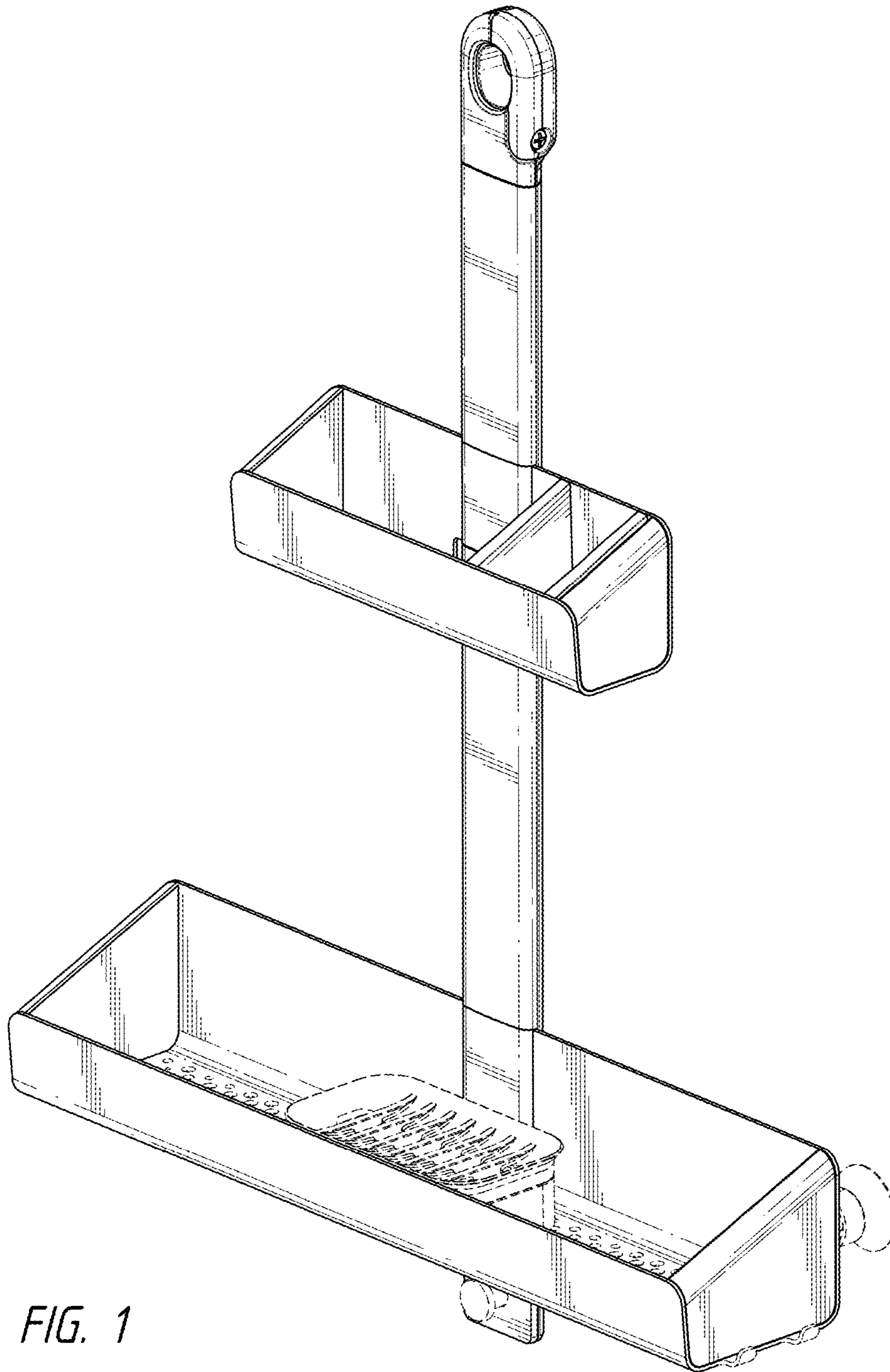


FIG. 1

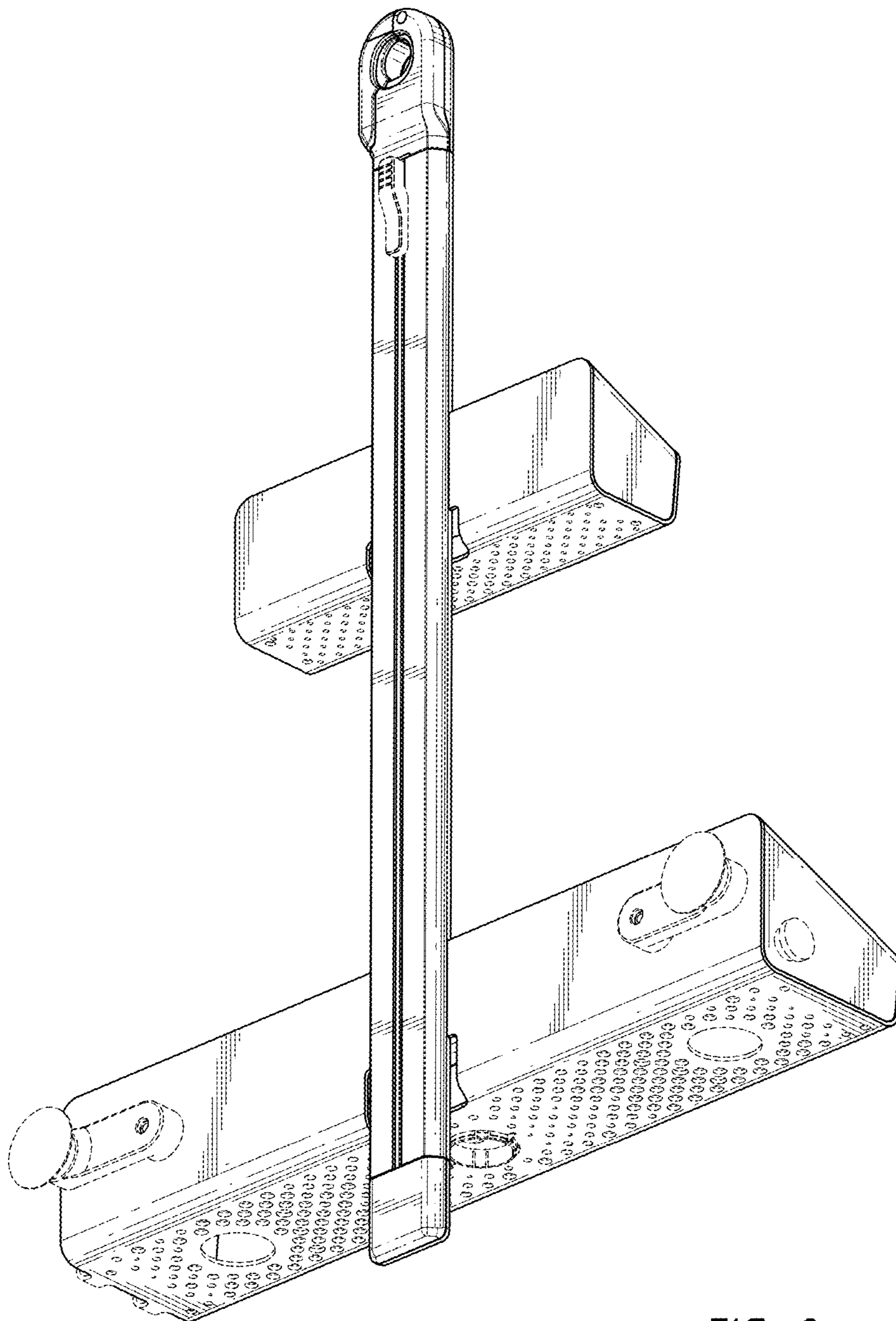


FIG. 2

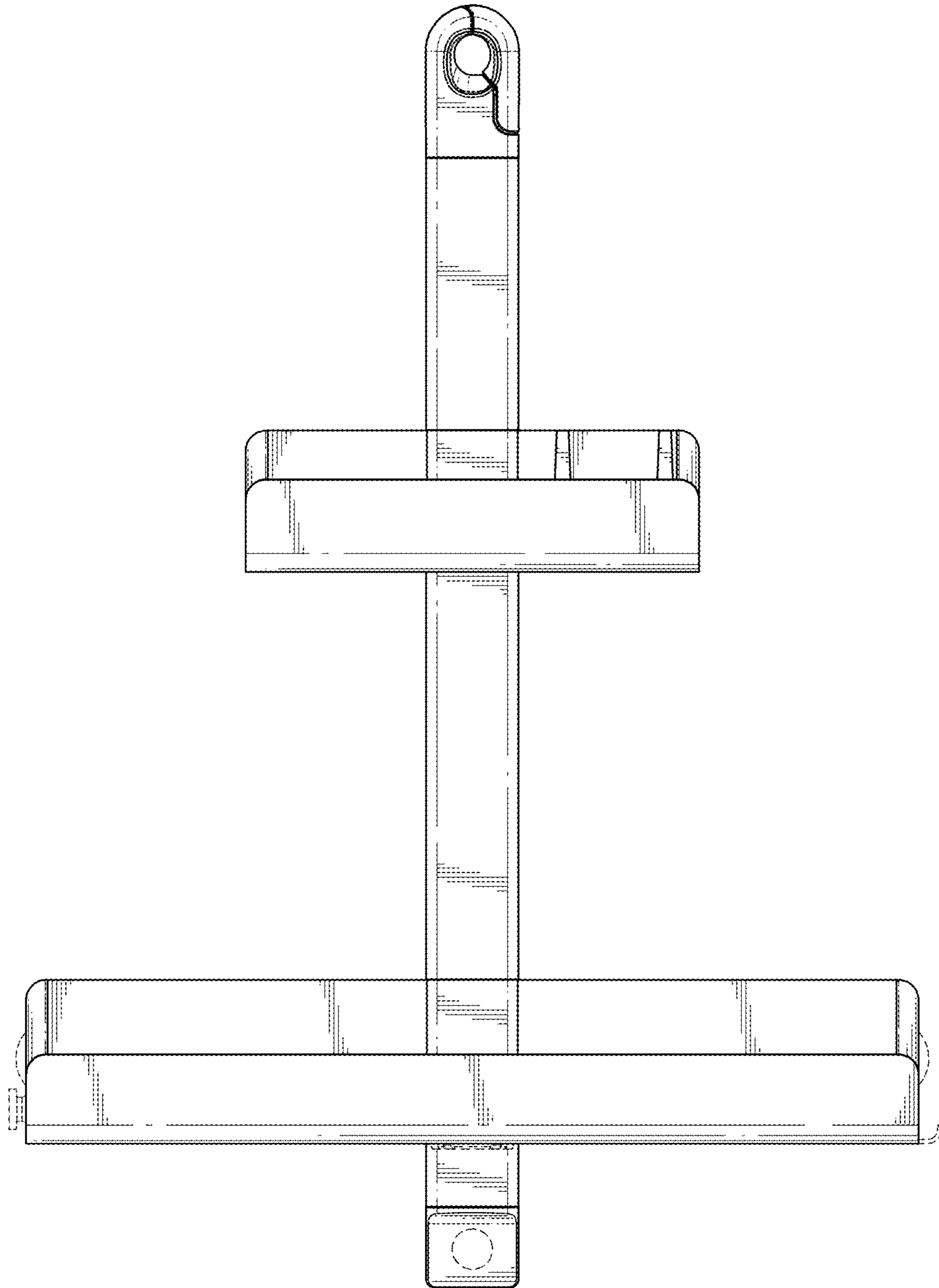


FIG. 3

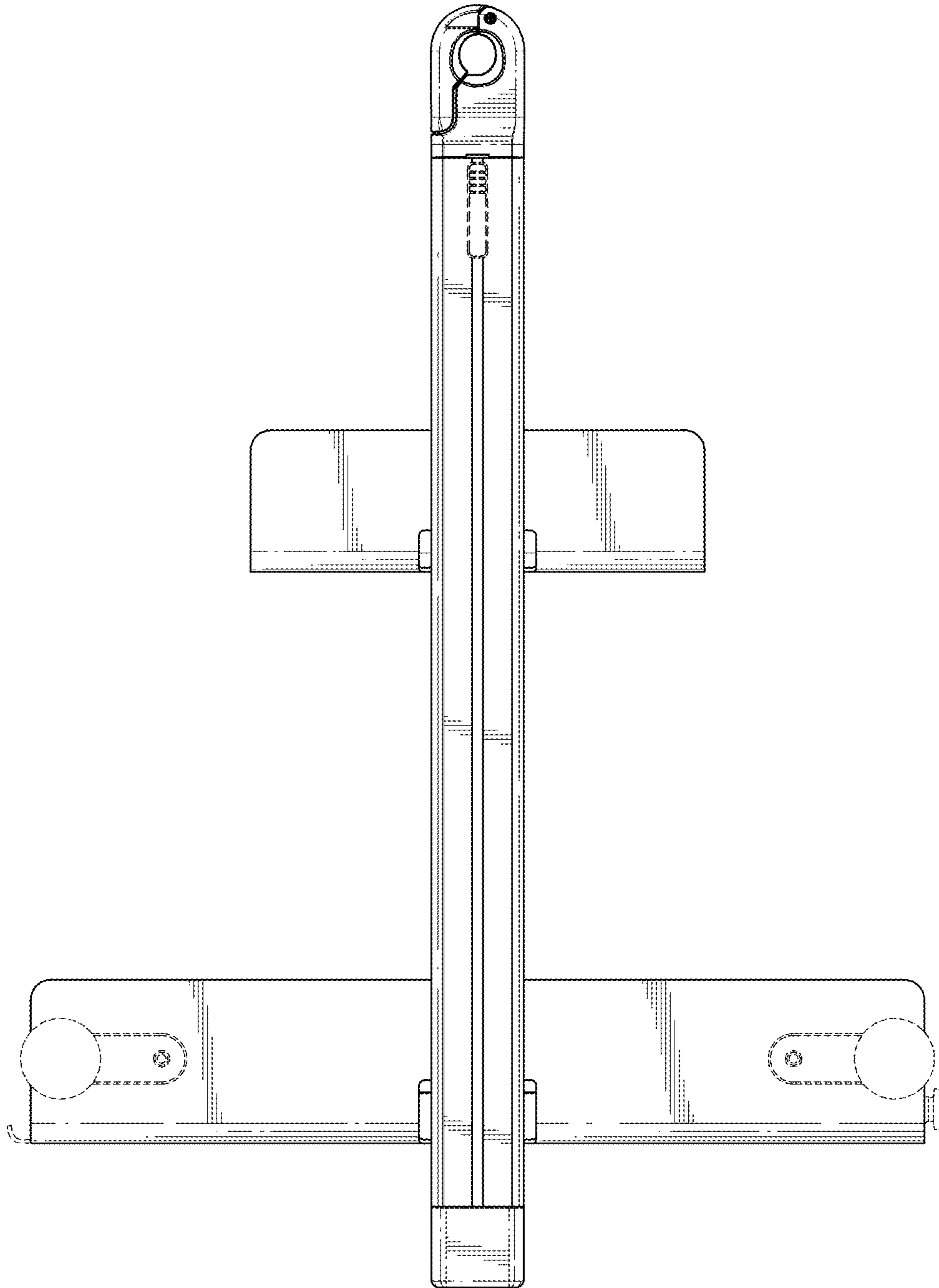


FIG. 4

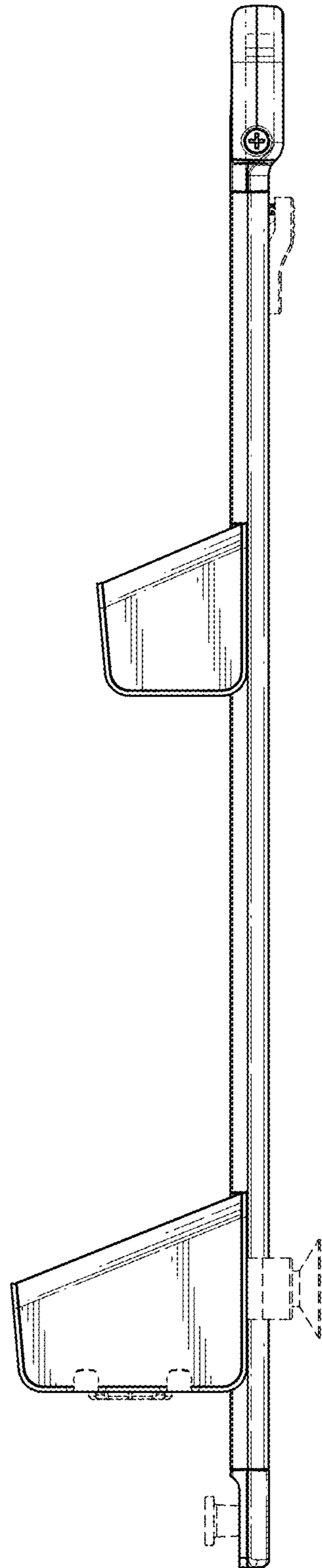


FIG. 5

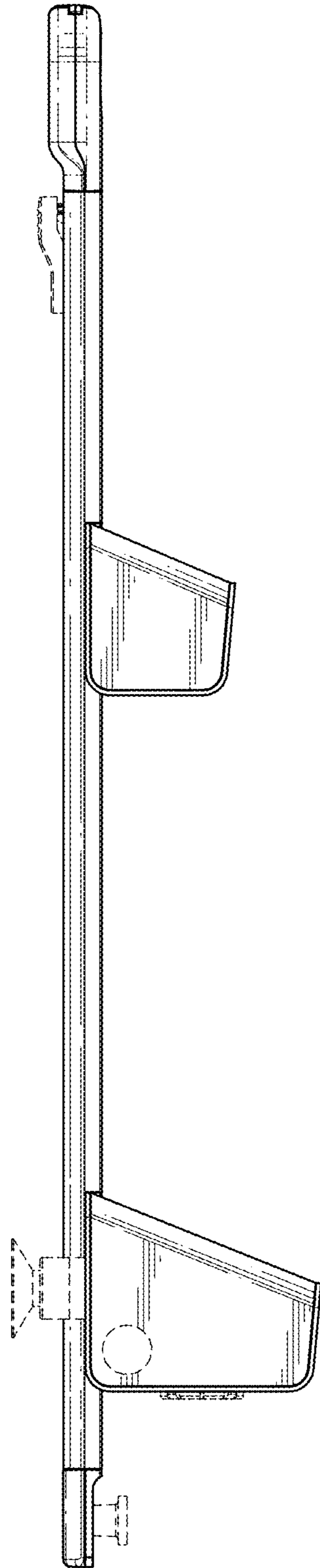


FIG. 6

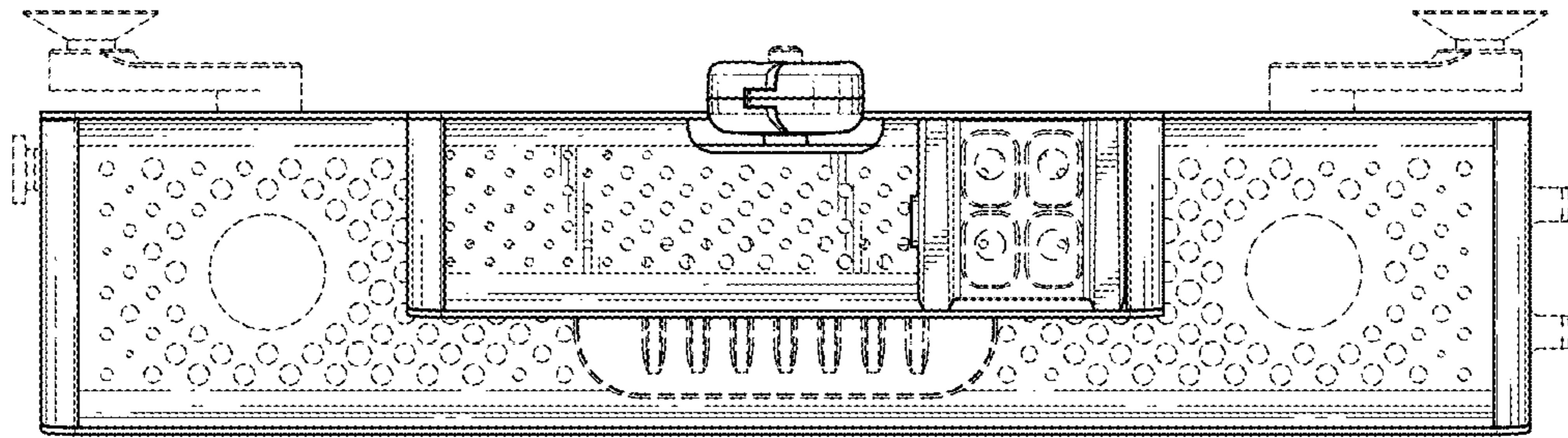


FIG. 7

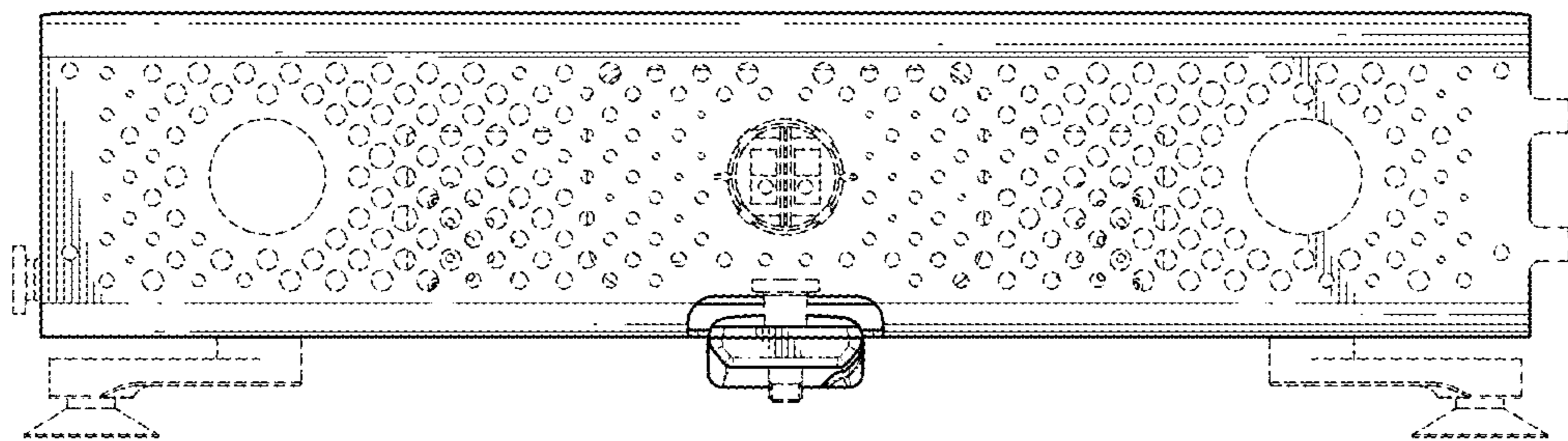


FIG. 8