



US00D770197S

(12) **United States Design Patent** (10) **Patent No.:** **US D770,197 S**
Yang et al. (45) **Date of Patent:** **** Nov. 1, 2016**

(54) **SHOWER CADDY**

477,291 A 6/1892 Bomar
496,961 A 5/1893 Trude
527,273 A 10/1894 Fowler
536,272 A 3/1895 Edsall
543,935 A 8/1895 Hostler

(71) Applicant: **simplehuman, LLC**, Torrance, CA
(US)

(Continued)

(72) Inventors: **Frank Yang**, Rancho Palos Verdes, CA
(US); **Zachary Rapoport**, Northridge,
CA (US); **Myk Lum**, Irvine, CA (US);
Adam Wade, Rancho Santa Margarita,
CA (US); **Ken Sugimoto**, Irvine, CA
(US)

FOREIGN PATENT DOCUMENTS

AU 364938 10/2015
AU 364939 10/2015

(Continued)

(73) Assignee: **simplehuman, LLC**, Torrance, CA
(US)

OTHER PUBLICATIONS

(**) Term: **14 Years**

simplehuman website, adjustable shower caddy, Nov. 1, 2015,
[http://www.simplehuman.com/adjustable-shower-caddy-plus-stain-
less-steel-anodized-aluminum.*](http://www.simplehuman.com/adjustable-shower-caddy-plus-stain-
less-steel-anodized-aluminum.*)

(Continued)

(21) Appl. No.: **29/518,327**

(22) Filed: **Feb. 23, 2015**

(51) **LOC (10) Cl.** **23-02**

(52) **U.S. Cl.**

USPC **D6/525**

(58) **Field of Classification Search**

USPC D6/566, 536, 540, 567, 570; 211/13.1,
211/74, 71.01, 86.01, 75, 88.01, 90.01,
211/90.03, 106, 119, 126.1, 133.5, 181.1,
211/134

CPC A47B 81/00; A47B 45/00; A47B 57/00;
A47B 57/26; A47B 96/02; B65D 21/086;
B65D 25/04

See application file for complete search history.

Primary Examiner — David Muller

Assistant Examiner — Nathan Johnston

(74) *Attorney, Agent, or Firm* — Knobbe, Martens, Olson
& Bear, LLP

(57)

CLAIM

The ornamental design for a shower caddy, as shown and
described.

DESCRIPTION

FIG. 1 is a top, front, left-side perspective view of a shower
caddy showing our new design;
FIG. 2 is a bottom, rear, right-side perspective view thereof;
FIG. 3 is a front elevation view thereof;
FIG. 4 is a rear elevation view thereof;
FIG. 5 is a left-side elevation view thereof;
FIG. 6 is a right-side elevation view thereof;
FIG. 7 is a top plan view thereof; and,
FIG. 8 is a bottom plan view thereof.

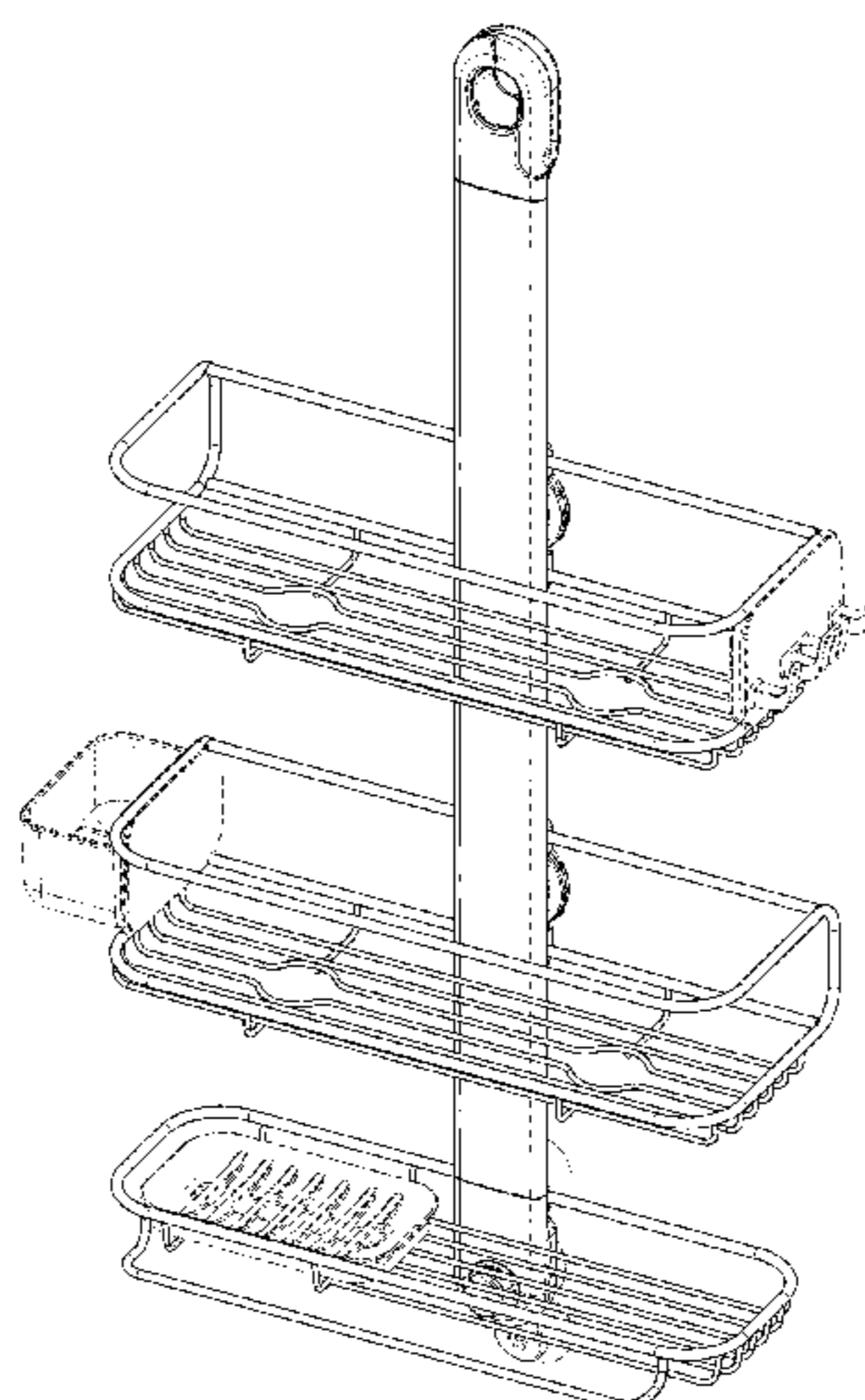
All features in broken lines form no part of the claimed
subject matter.

1 Claim, 6 Drawing Sheets

(56) **References Cited**

U.S. PATENT DOCUMENTS

141,186 A 7/1873 Thomas
163,852 A 6/1875 Denman
181,593 A 8/1876 Randall
284,090 A 8/1883 Tingle
387,758 A 8/1888 Barnhart
397,558 A 2/1889 Lumley
434,708 A 8/1890 Grier
475,020 A 5/1892 Perry



(56)

References Cited

U.S. PATENT DOCUMENTS

612,061 A	10/1898	Shambaugh	3,791,091 A	2/1974	Albrizzi
613,231 A	11/1898	Bennett	3,807,574 A	4/1974	Lanza
618,425 A	1/1899	Manger	3,854,686 A	12/1974	Konstant
626,739 A	6/1899	Vanderman	3,894,707 A	7/1975	Heard
644,080 A	2/1900	Huebel	3,907,119 A	9/1975	Franz
661,755 A	11/1900	Thurstensen	3,923,162 A	12/1975	Hussey
799,233 A	9/1905	Hubbell	D239,579 S	4/1976	Taub
839,339 A	12/1906	Tuttle	3,954,182 A	5/1976	McEvers
841,866 A	1/1907	Hollis	3,983,823 A	10/1976	McDonnell
845,917 A	3/1907	Worley	3,998,334 A	12/1976	Smith
913,955 A	3/1909	Hansen	4,018,019 A	4/1977	Raith et al.
970,485 A	9/1910	Frey	4,033,539 A	7/1977	Bardocz
1,026,149 A	5/1912	Crane	4,059,915 A	11/1977	Owens
1,071,428 A	8/1913	Jones	4,096,951 A	6/1978	Menssen
1,254,094 A	1/1918	Vogt	4,106,736 A	8/1978	Becker, III et al.
1,446,036 A	2/1923	Willaim	D250,560 S	12/1978	Gordon
1,478,339 A	12/1923	Wade	4,154,356 A	5/1979	Schieve
1,511,704 A	10/1924	Buck	4,192,426 A	3/1980	Gauthier
1,554,137 A	9/1925	Slifkin	4,215,840 A	8/1980	Babberl
1,582,762 A	4/1926	Klock	4,232,790 A	11/1980	Serrano
1,639,551 A	8/1927	Booth	4,274,400 A	6/1981	Baus
1,931,321 A	10/1933	Keil	4,310,193 A	1/1982	Kolleas
2,012,452 A	8/1935	Littell	4,360,283 A	11/1982	Psotta
2,042,517 A	6/1936	Ellis	4,387,811 A	6/1983	Ragir et al.
2,157,309 A	5/1939	Swedman et al.	4,415,091 A	11/1983	Wolff
2,199,851 A	5/1940	Freeman	4,415,211 A	11/1983	Alissandratos
2,254,770 A	9/1941	Bitney	4,428,488 A	1/1984	McAvinn et al.
2,513,889 A	7/1950	Nilsson	4,437,450 A	3/1984	Connelly
2,593,738 A	4/1952	Dollahite	D273,645 S	5/1984	McEvers
2,675,782 A	4/1954	Lage et al.	D274,201 S	6/1984	Aaron
2,677,519 A	5/1954	Hobson	4,511,047 A	4/1985	Elinsky
2,746,661 A	5/1956	Kaplan	4,541,131 A	9/1985	Sussman
2,788,902 A	4/1957	Nowicki	4,559,879 A	12/1985	Hausser
2,837,219 A	6/1958	Ferdinand et al.	D286,599 S	11/1986	Sussman
2,868,386 A	1/1959	Seyforth	D289,353 S	4/1987	Davis et al.
2,919,873 A	1/1960	Tice	4,664,428 A	5/1987	Bridges
2,923,415 A	2/1960	Brown	D293,183 S	12/1987	Aaron
2,923,428 A	2/1960	Averill	4,761,092 A	8/1988	Nakatani
2,928,512 A	3/1960	Slater et al.	4,771,897 A	9/1988	Ho
2,932,873 A	4/1960	Reichert	4,771,899 A	9/1988	Benedict et al.
2,936,146 A	5/1960	Wunder	4,776,471 A	10/1988	Elkins
2,937,766 A	5/1960	Penn	4,786,022 A	11/1988	Grieshaber
2,941,669 A	6/1960	Paley et al.	4,805,784 A	2/1989	Solheim et al.
D188,332 S	7/1960	Salen	4,860,909 A	8/1989	Leumi
D189,722 S	2/1961	Wolf	4,865,283 A	9/1989	Parker
2,976,003 A	3/1961	Foster	4,869,378 A	9/1989	Miller
2,977,953 A	4/1961	Dowdy	4,869,379 A	9/1989	Hawkrige
3,035,708 A	5/1962	Freeman	4,875,593 A	10/1989	Trimble
3,043,440 A	7/1962	Berlin	4,883,399 A	11/1989	MacLean
3,059,374 A	10/1962	Bernay	4,895,331 A	1/1990	Nehls
3,088,598 A	5/1963	Werneke	4,909,467 A	3/1990	Shan-Pao
D195,412 S	6/1963	Vernik	D314,294 S	2/1991	Axhamre
3,111,723 A	11/1963	Bates	4,998,647 A	3/1991	Sharp
3,115,107 A	12/1963	Glenny	D315,840 S *	4/1991	Emery D6/525
3,119,496 A	1/1964	Burk	5,014,860 A	5/1991	Emery
3,124,253 A	3/1964	Pelrich et al.	5,023,755 A	6/1991	Rosenberg
3,132,609 A	5/1964	Chesley	5,083,670 A	1/1992	Zimmer
3,138,260 A	6/1964	Tedrick	D327,187 S	6/1992	Swon
3,181,923 A	5/1965	Guillon et al.	5,127,528 A	7/1992	Cone
3,239,182 A	3/1966	Blanz	5,160,101 A	11/1992	Ferraro et al.
3,266,764 A	8/1966	Briles	5,165,644 A	11/1992	Allen
3,307,710 A	3/1967	Negri	5,180,067 A	1/1993	Conaway et al.
3,319,983 A	5/1967	Zibell	5,190,170 A	3/1993	Steiner
3,343,685 A	9/1967	Giambalvo	5,192,427 A	3/1993	Eger et al.
3,471,031 A	10/1969	Coplan	5,197,614 A	3/1993	Dalton et al.
3,533,583 A	10/1970	Azim	D340,604 S *	10/1993	Conaway D6/525
3,593,857 A	7/1971	Hernes	5,255,401 A	10/1993	Sambrookes et al.
D222,276 S	10/1971	Hughes	5,284,260 A	2/1994	Caligiuri, Sr.
3,641,922 A	2/1972	Nachazel et al.	5,307,797 A	5/1994	Kleefeld
3,661,121 A	5/1972	Zielin	5,318,175 A	6/1994	Stevens
3,695,455 A	10/1972	Larson	D351,751 S	10/1994	Brightbill et al.
3,710,096 A	1/1973	McFarlin	5,355,867 A	10/1994	Hall et al.
3,734,439 A	5/1973	Wintz	5,429,252 A	7/1995	Liu
3,787,078 A	1/1974	Williams	5,462,178 A	10/1995	Wallach et al.
3,789,996 A	2/1974	Stroh	5,483,761 A	1/1996	Simpson
			5,505,318 A	4/1996	Goff
			5,505,319 A	4/1996	Todd, Jr.
			D370,809 S	6/1996	Munoz et al.
			5,524,772 A	6/1996	Simmons

(56)

References Cited

U.S. PATENT DOCUMENTS

5,527,273	A	6/1996	Manna et al.		D477,947	S	*	8/2003	Snell	D6/525
5,588,543	A	12/1996	Finger		D479,073	S	*	9/2003	Snell	D6/525
D377,286	S	*	1/1997	Munoz	6,619,164	B1	9/2003	Ricci et al.		
D378,556	S	*	3/1997	Munoz	6,648,152	B2	11/2003	Bermes		
5,632,049	A	5/1997	Chen		D483,251	S		12/2003	Suero, Jr.		
D382,733	S	8/1997	Goetz		D485,462	S		1/2004	Suero, Jr.		
5,666,940	A	9/1997	Kreiter		6,688,238	B1		2/2004	Alexiou		
D387,595	S	*	12/1997	Whang	6,726,034	B2	4/2004	Holbrook et al.		
5,692,817	A	12/1997	Jun et al.		D489,207	S		5/2004	Rosen		
5,697,508	A	12/1997	Rifkin et al.		D492,188	S		6/2004	Goldberg		
5,702,010	A	12/1997	Liang		6,758,355	B2		7/2004	Zidek		
D388,642	S	1/1998	Winter		D493,991	S		8/2004	Dretzka		
5,735,413	A	4/1998	Allen		D495,549	S		9/2004	Yu et al.		
5,772,048	A	6/1998	Sopcisak		D496,549	S		9/2004	Snell		
5,772,050	A	6/1998	Shih		D498,102	S	*	11/2004	Snell	D6/525
D395,773	S	*	7/1998	Hofman	6,824,000	B2	11/2004	Samelson		
D396,379	S	7/1998	Stoetzl		6,824,225	B2		11/2004	Stiffler		
D396,585	S	8/1998	Hofman		6,848,144	B1		2/2005	McDonald		
D400,745	S	11/1998	France		6,871,748	B2		3/2005	Suttles		
5,833,192	A	11/1998	Buhrman		6,918,498	B2		7/2005	Sparkowski		
D402,145	S	12/1998	Hofman et al.		D509,361	S		9/2005	Suero, Jr.		
5,855,184	A	1/1999	Eichler et al.		6,957,794	B2		10/2005	Landreville et al.		
5,855,286	A	1/1999	Zaid		D512,861	S	*	12/2005	Rosen	D6/525
5,897,002	A	4/1999	Carlino		6,983,853	B1		1/2006	Fickett		
5,899,423	A	5/1999	Albertini		D516,901	S		3/2006	Murray		
5,934,636	A	8/1999	Cyrell		7,021,814	B2		4/2006	Berardi		
5,941,397	A	8/1999	Buchanan et al.		7,059,271	B2		6/2006	Santa Cruz et al.		
5,944,896	A	8/1999	Landesman et al.		7,086,633	B2		8/2006	Welch et al.		
5,984,114	A	11/1999	Frankel		D530,551	S	*	10/2006	Snell	D6/525
D417,991	S	12/1999	Hofman et al.		D533,283	S		12/2006	Holztrager		
D419,020	S	1/2000	Emery et al.		D534,062	S		12/2006	van den Bosch		
6,017,009	A	1/2000	Swartz et al.		7,152,488	B2		12/2006	Hedrich et al.		
D421,692	S	3/2000	Wojtowicz et al.		7,195,213	B2		3/2007	Weatherly		
D421,867	S	3/2000	Carville et al.		D543,747	S		6/2007	Harwanko		
6,050,426	A	4/2000	Leurdijk		D544,786	S		6/2007	Barrese		
D424,355	S	5/2000	Barton		7,229,059	B1		6/2007	Hood		
6,065,618	A	5/2000	Stetler		D546,879	S		7/2007	Qiu		
D427,469	S	7/2000	Thurston-Chartraw et al.		7,246,711	B1		7/2007	Metcalf		
D429,091	S	8/2000	Chen		D552,391	S	*	10/2007	Rosen	D6/525
D429,934	S	8/2000	Hofman		D552,393	S		10/2007	Rosen		
6,113,042	A	9/2000	Welsch et al.		7,275,647	B1		10/2007	Thompson		
6,119,878	A	9/2000	Zen		7,316,376	B1		1/2008	Engler		
6,123,303	A	9/2000	Huang		D564,257	S		3/2008	Yang et al.		
6,135,668	A	10/2000	Lin		7,347,197	B2		3/2008	Hankinson		
6,152,312	A	11/2000	Nava et al.		D566,991	S		4/2008	Harwanko		
6,206,206	B1	3/2001	Saylor et al.		D568,657	S		5/2008	Snider		
6,233,877	B1	5/2001	Monroe		D568,658	S	*	5/2008	Yang	D6/525
D443,162	S	6/2001	Winter		D569,148	S		5/2008	Yang et al.		
D444,333	S	7/2001	Ferrer Beltran		D569,149	S		5/2008	Walker		
D446,670	S	*	8/2001	Emery	D572,060	S	7/2008	Snider		
6,302,036	B1	10/2001	Carson et al.		D572,502	S		7/2008	Yang et al.		
6,302,280	B1	10/2001	Bermes		D572,516	S		7/2008	Snider		
6,311,856	B2	11/2001	Battaglia et al.		D573,386	S		7/2008	Clucas		
6,318,572	B1	11/2001	Lai		D573,387	S		7/2008	Walker		
6,347,777	B1	2/2002	Webber et al.		D573,822	S		7/2008	Yang et al.		
6,378,709	B1	4/2002	Stuart		7,398,790	B2		7/2008	Glatz		
6,394,404	B1	5/2002	Cyrell		7,401,754	B2		7/2008	Welch et al.		
6,409,029	B1	6/2002	Bermes		D574,649	S		8/2008	Snider		
D462,552	S	9/2002	Emery et al.		D574,650	S		8/2008	Snider		
6,481,586	B1	11/2002	Hoff		7,407,060	B2		8/2008	Swartz et al.		
6,494,327	B2	12/2002	Huang		D578,815	S		10/2008	Dominique et al.		
6,502,794	B1	1/2003	Ting		D579,254	S		10/2008	Dominique et al.		
D470,703	S	2/2003	Hoernig		D587,504	S		3/2009	Russell et al.		
6,520,351	B1	2/2003	Zadro		D589,728	S		4/2009	Shaha et al.		
6,527,473	B2	3/2003	Chen		D598,688	S		8/2009	Yang et al.		
D472,750	S	*	4/2003	Clucas	7,591,385	B2	9/2009	Brooks		
D473,411	S	4/2003	Walker		D615,333	S		5/2010	Snell		
6,540,430	B2	4/2003	Hsu		D622,990	S		9/2010	Yang et al.		
6,550,739	B1	4/2003	Brindisi		D627,969	S	*	11/2010	Klein	D6/514
6,551,226	B1	4/2003	Webber et al.		D628,841	S		12/2010	Yang et al.		
D475,560	S	6/2003	Suero, Jr.		D632,081	S	*	2/2011	Klein	D3/306
D475,561	S	6/2003	Suero, Jr.		D632,514	S	*	2/2011	Didehvar	D6/525
6,575,315	B2	6/2003	Zidek		D635,807	S		4/2011	Lindo		
6,581,790	B1	6/2003	Zadro		D640,488	S	*	6/2011	Didehvar	D6/525
6,591,996	B1	7/2003	Wu		D641,191	S	*	7/2011	Walker	D6/525
					D641,193	S		7/2011	Vaccaro		
					7,975,653	B2		7/2011	Cash		
					D651,837	S	*	1/2012	Yang	D6/525
					D651,838	S		1/2012	Yang et al.		

(56)

References Cited

U.S. PATENT DOCUMENTS

8,225,946	B2	7/2012	Yang et al.	
D670,520	S *	11/2012	Gilbert	D6/525
8,408,405	B2	4/2013	Yang et al.	
D683,165	S	5/2013	Yang et al.	
8,474,632	B2	7/2013	Yang et al.	
8,763,821	B2	7/2014	Yang et al.	
8,950,599	B2	2/2015	Wilder	
D726,441	S *	4/2015	Yang	D6/525
D727,060	S	4/2015	Yang et al.	
D734,956	S	7/2015	Yang et al.	
2001/0004064	A1	6/2001	Battaglia et al.	
2002/0158033	A1	10/2002	Chen	
2002/0172549	A1	11/2002	Koros et al.	
2003/0000905	A1	1/2003	Zidek	
2003/0132181	A1	7/2003	Saulnier-Matteini	
2003/0136782	A1	7/2003	Dicello et al.	
2003/0222191	A1	12/2003	Tsai	
2004/0188369	A1 *	9/2004	Yu	A47K 5/04 211/106
2004/0188577	A1	9/2004	Gaderick	
2005/0040301	A1	2/2005	Walter	
2005/0139562	A1	6/2005	Chen	
2005/0205509	A1	9/2005	Flynn	
2005/0205722	A1	9/2005	Krueger	
2006/0038097	A1	2/2006	Diller	
2006/0124812	A1	6/2006	Berardi	
2006/0130381	A1	6/2006	Caterinacci	
2006/0180561	A1	8/2006	Wisnoski et al.	
2006/0261022	A1	11/2006	Sampaio	
2007/0045208	A1	3/2007	Quan	
2007/0194191	A1	8/2007	Persson	
2007/0235611	A1	10/2007	Riblet	
2007/0295681	A1	12/2007	Colin	
2008/0000859	A1 *	1/2008	Yang	A47B 57/26 211/90.02
2008/0053935	A1	3/2008	Newbould et al.	
2008/0142669	A1	6/2008	Zlotocha	
2009/0134290	A1	5/2009	Begic et al.	
2009/0188880	A1 *	7/2009	Yang	A47K 3/281 211/113
2010/0000449	A1	1/2010	Botkin	
2013/0313212	A1	11/2013	Lindo et al.	
2015/0257533	A1	9/2015	Yang et al.	
2015/0257534	A1	9/2015	Yang et al.	
2016/0183737	A1	6/2016	Yang et al.	

FOREIGN PATENT DOCUMENTS

AU	364940	10/2015
CA	132180	7/2010
CA	135666	3/2011
CA	136936	3/2011
CA	136937	9/2011

CA	158594	12/2015
CA	164019	3/2016
CA	164017	4/2016
CN	301523949 S	4/2011
CN	301642065 S	8/2011
CN	301735061 S	11/2011
CN	303191392 S	4/2015
CN	303649072 S	4/2016
CN	303649076 S	4/2016
CN	303662896 S	5/2016
DE	29600613 U1	3/1996
EP	0 717 947 A2	6/1996
EP	2191757	6/2010
EP	001217053	8/2010
EP	001232896	10/2010
EP	001232912	10/2010
EP	001420582-0001	11/2014
EP	001438428-0001	8/2015
EP	001438394-0001	11/2015
EP	001438410-0001	11/2015
FR	2549361	1/1985
JP	D1136196	1/2002
KR	3020030000821	3/2003
WO	WO 2009/097298	8/2009
WO	WO 2013/005462 A1	1/2013
WO	WO 2015/138257 A1	9/2015

OTHER PUBLICATIONS

U.S. Appl. No. 29/534,240 and its entire file history, filed Jul. 28, 2015, Yang et al.

White Adjustable Shower Caddy, Simplehuman SKU# BT1015, apparently available Dec. 14, 2007 on the internet at www.simplehuman.com (see <http://web.archive.org/web/20071221125437/www.simplehuman.com/products/bathroom-organization/white-shower-caddy.html>).

U.S. Appl. 15/060,057, filed Mar. 3, 2016, Yang et al.

U.S. Appl. No. 29/484,885, filed Mar. 13, 2014, Yang et al.

U.S. Appl. No. 29/484,765, filed Mar. 12, 2014, Yang et al.

U.S. Appl. No. 29/518,332, filed Feb. 23, 2015, Yang et al.

U.S. Appl. No. 29/528,582, filed Feb. 25, 2015, Yang et al.

U.S. Appl. No. 14/634,408 and its entire file history, filed Feb. 27, 2015, Yang et al.

U.S. Appl. No. 14/638,940, filed Mar. 4, 2015, Yang et al.

Magnite—The Magnetic Shower Caddy by Max Hunt, Coroflot product webpage; available as early as Aug. 10, 2012 [retrieved on Feb. 17, 2015 from internet <URL: <http://www.coroflot.com/theha/Magnite-The-Magnetic-Shower-Caddy>].

Shower Shelf—Anodized Aluminum, Simplehuman SKU# BT1097, apparently available Dec. 23, 2015 on the internet at www.simplehuman.com (see <http://www.simplehuman.com/shower-shelf-anodized-aluminum>).

* cited by examiner

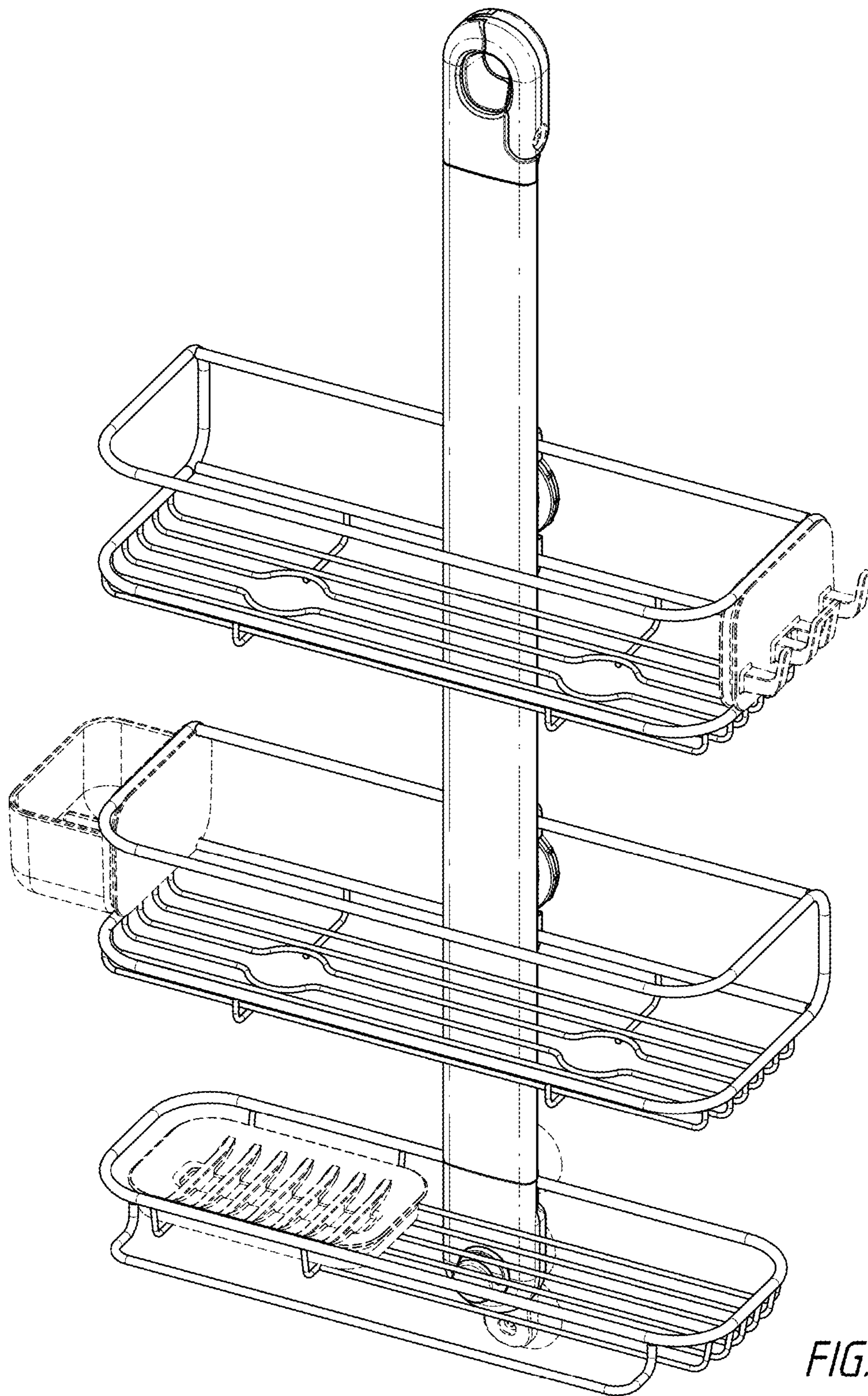


FIG. 1

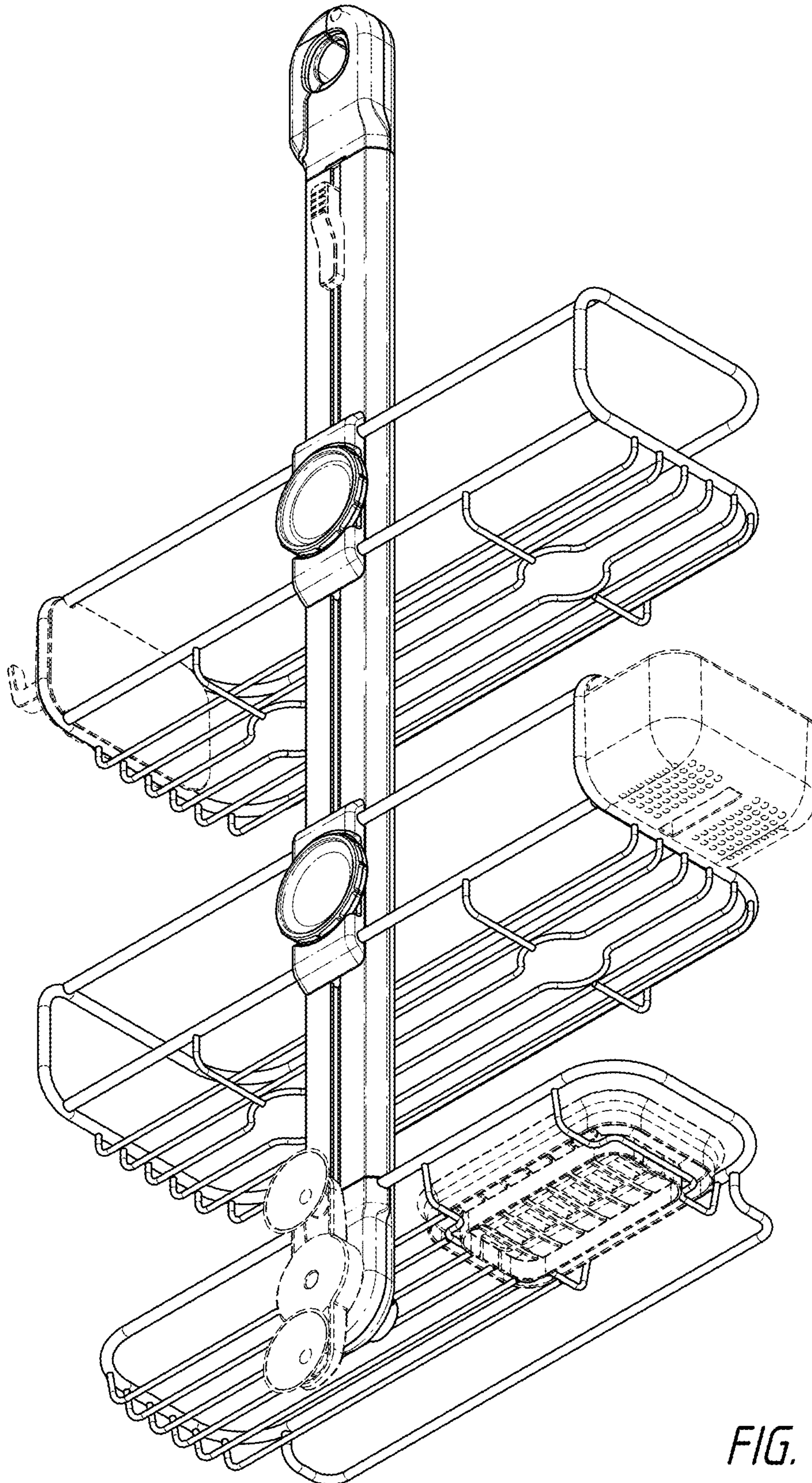


FIG. 2

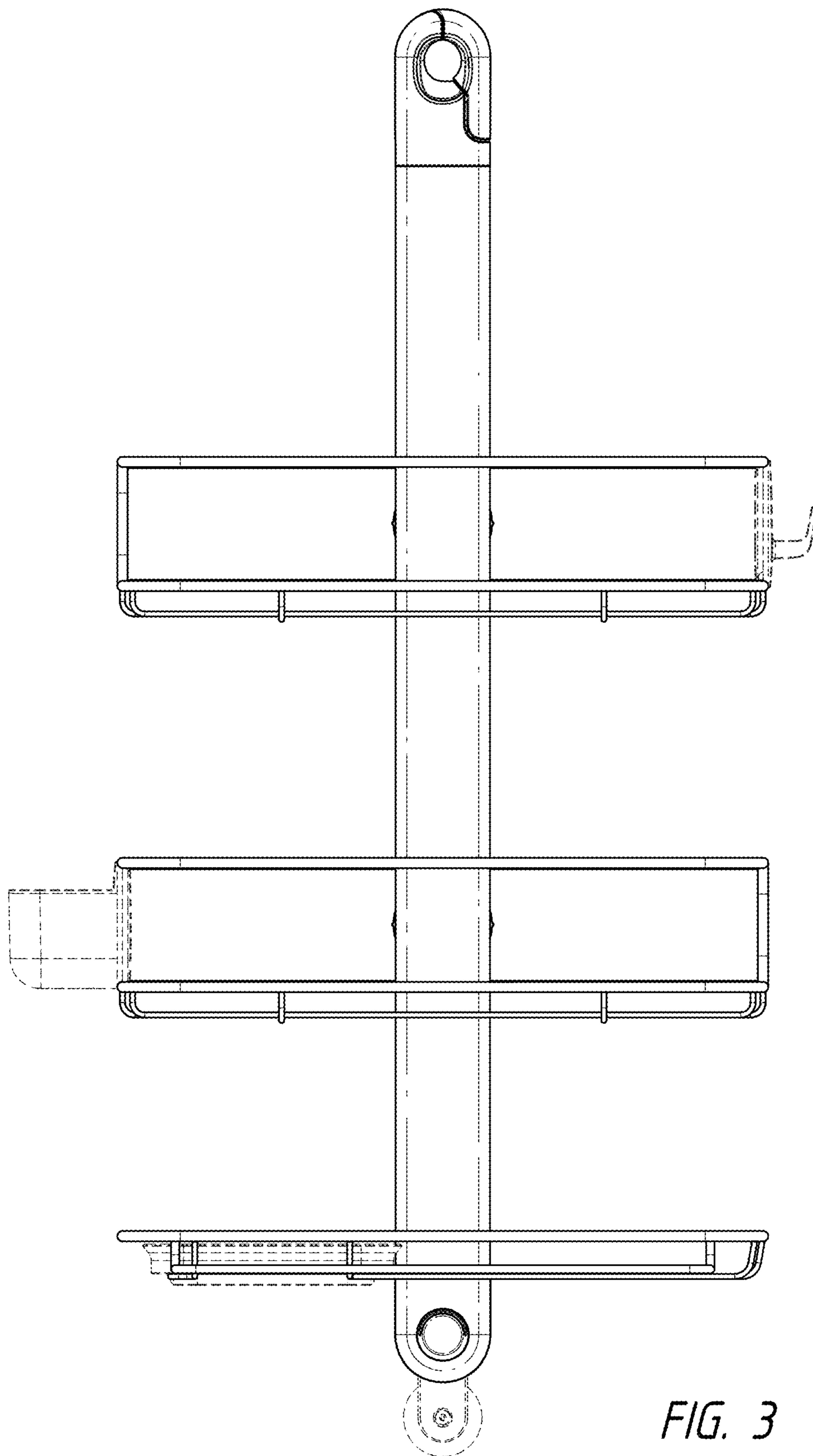


FIG. 3

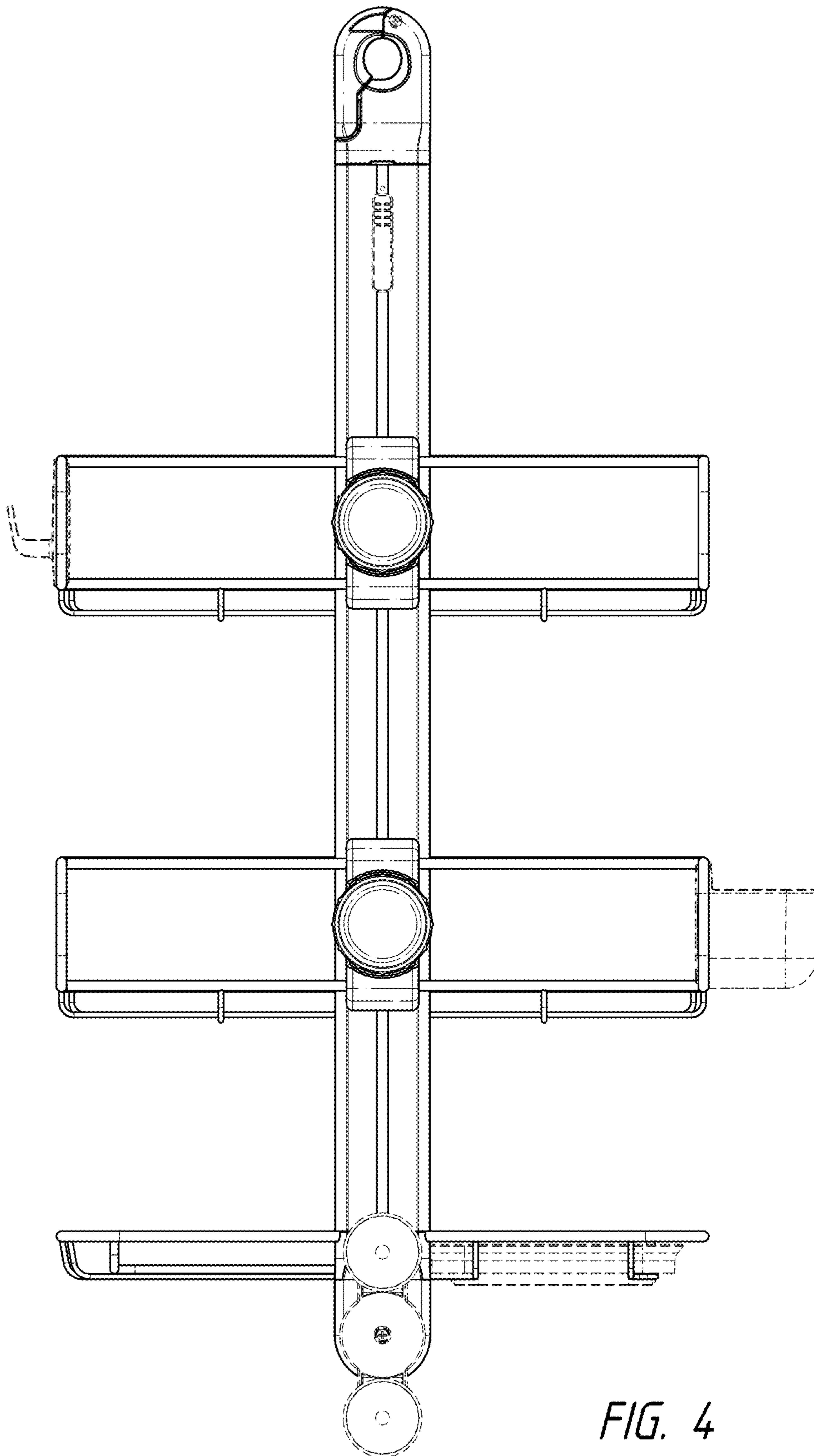


FIG. 4

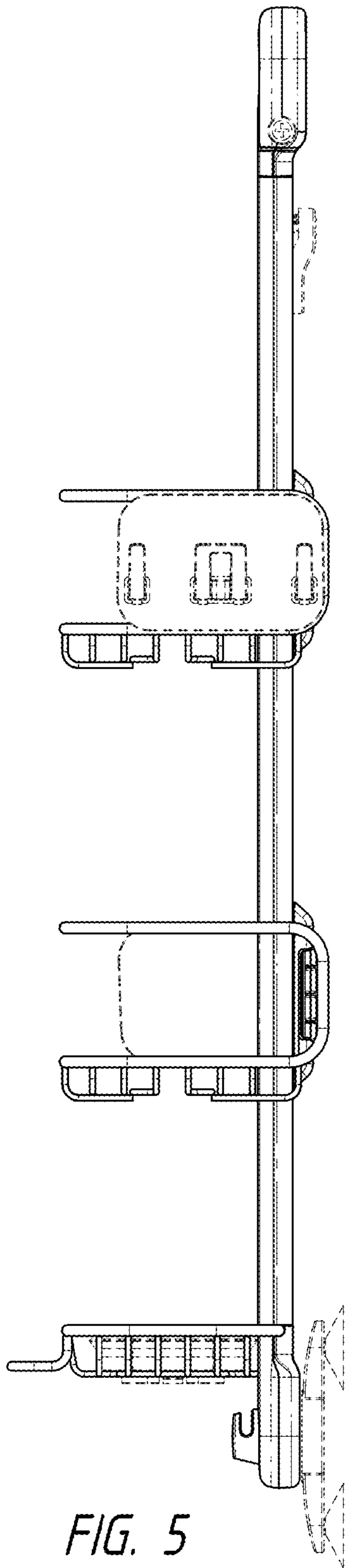


FIG. 5

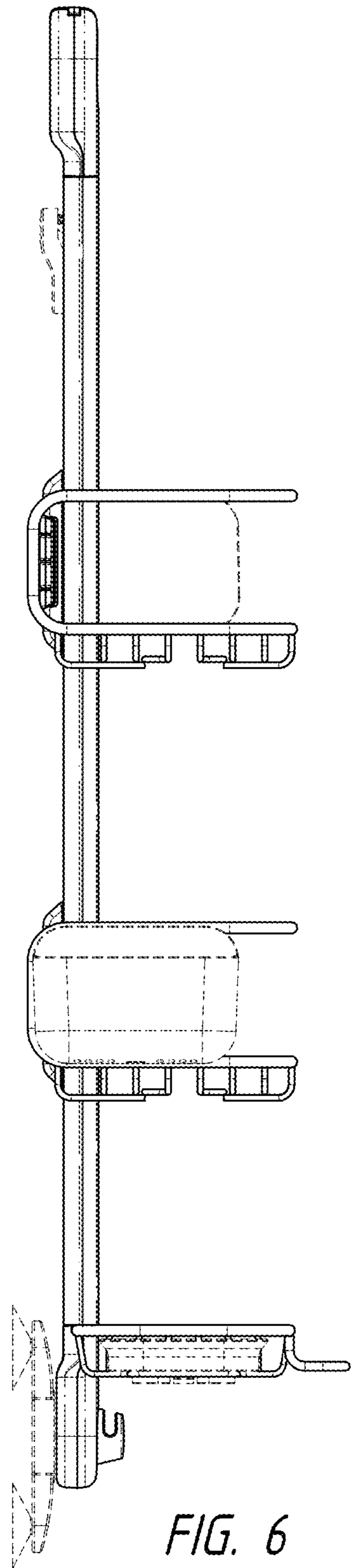


FIG. 6

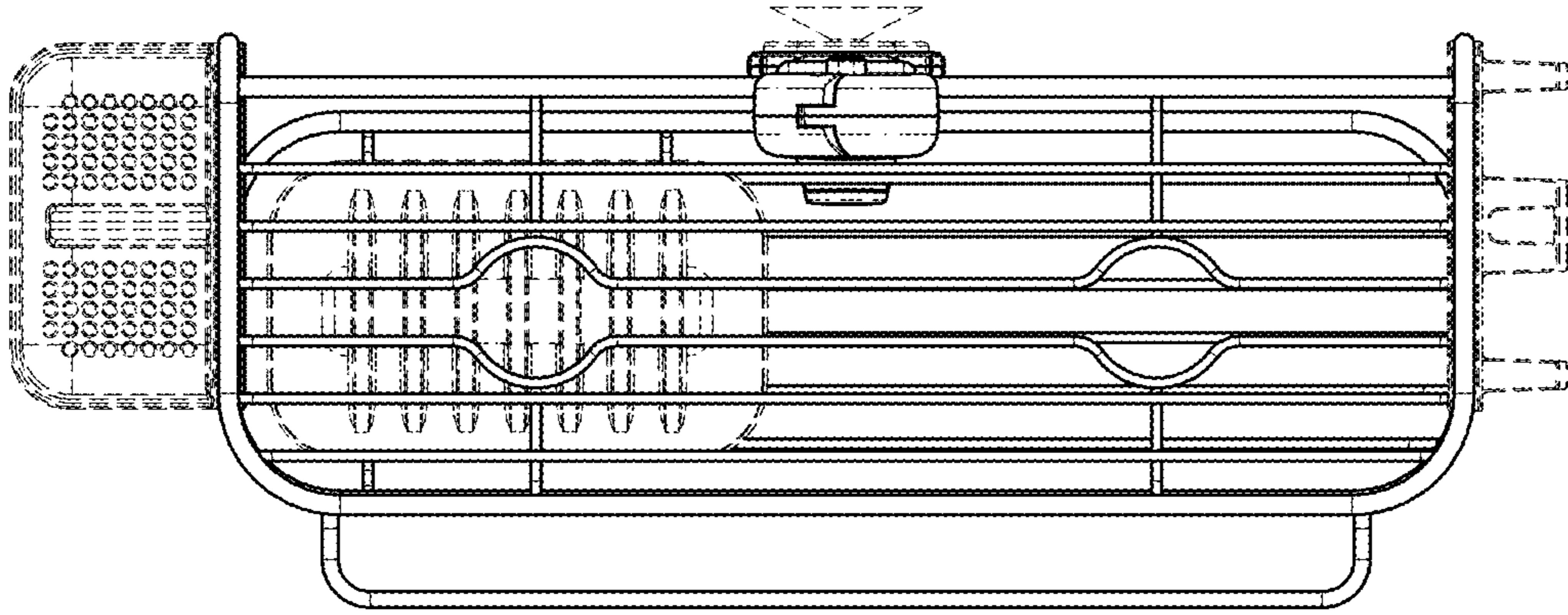


FIG. 7

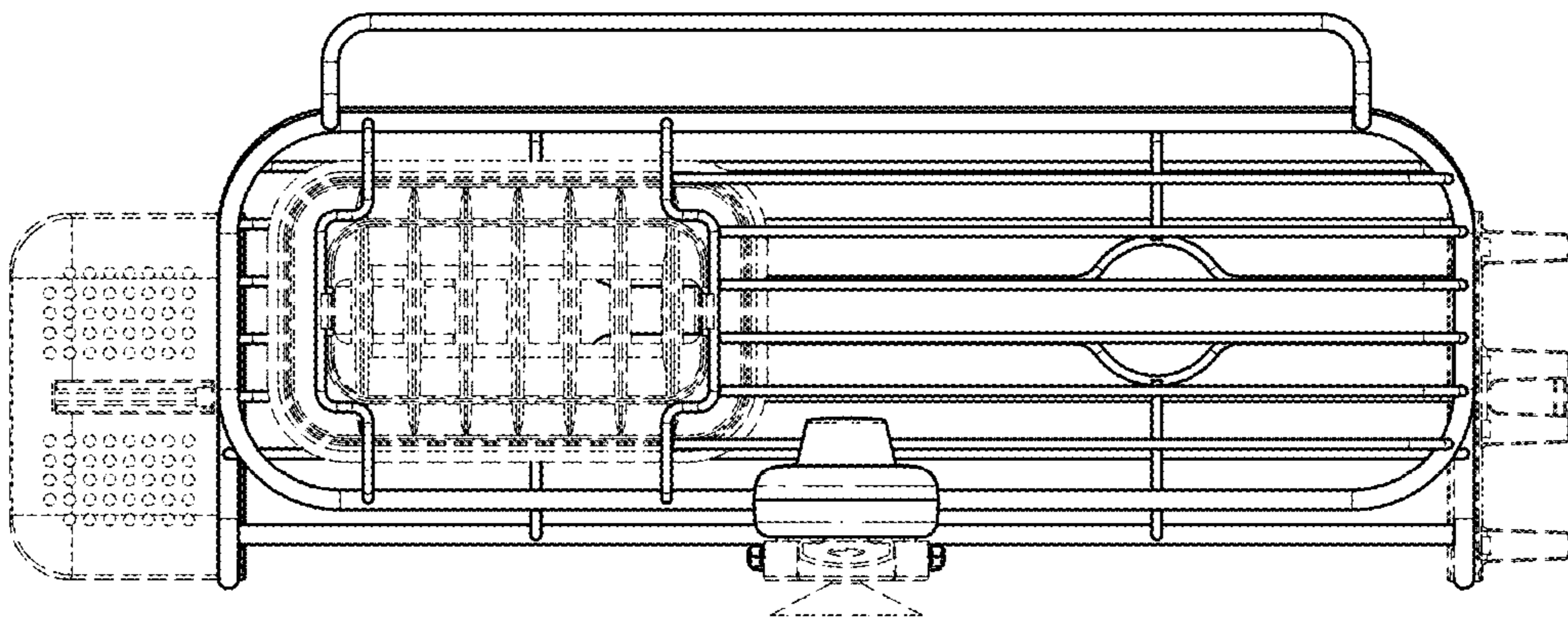


FIG. 8