



US00D770196S

(12) **United States Design Patent** (10) **Patent No.:** **US D770,196 S**  
**Swy** (45) **Date of Patent:** **\*\* Nov. 1, 2016**

(54) **CHAIR HANDLE WITH HOOK**  
(71) Applicant: **Michigan Tube Swagers & Fabricators, Inc.**, Temperance, MI (US)  
(72) Inventor: **Joshua Paul Swy**, Lambertville, MI (US)  
(73) Assignee: **Michigan Tube Swagers & Fabricators, Inc.**, Temperance, MI (US)  
(\*\*) Term: **14 Years**

(21) Appl. No.: **29/508,834**  
(22) Filed: **Nov. 12, 2014**  
(51) **LOC (10) Cl.** ..... **06-04**  
(52) **U.S. Cl.**  
USPC ..... **D6/525**  
(58) **Field of Classification Search**  
USPC ..... D6/307, 323, 364-368, 374, 524, 525, D6/574, 656.19; D27/143; 131/243; 297/11, 452.24, 42.26, 452.28, 297/452.32-452.33, 452.37; D24/227; D9/433, 425, 414; D7/554.3; D23/277; D8/300, 302, 306, 313, 321, 331, 343; 292/173; 70/221; 49/344  
CPC ..... A47C 1/03; A47C 1/12; A47C 7/02; A47C 7/46; A47C 7/48; A47C 7/54; A47C 7/462; A47C 7/44; A47C 7/386; B60N 2/02; B60N 2/22; B60N 2/44; B65D 77/20; E05C 1/145  
See application file for complete search history.

(56) **References Cited**  
U.S. PATENT DOCUMENTS  
D249,224 S \* 9/1978 Spellier ..... D8/313  
4,170,119 A \* 10/1979 Kalis, Jr. .... E05C 1/145  
292/173  
D265,965 S \* 8/1982 Davis ..... D8/302  
D281,665 S \* 12/1985 Weinerman ..... D8/302

D303,922 S \* 10/1989 Russell ..... D8/300  
D314,131 S \* 1/1991 Russell ..... D8/300  
5,415,457 A 5/1995 Kifer  
D382,791 S \* 8/1997 Weinerman ..... D8/343  
5,863,092 A 1/1999 Kifer  
D427,045 S \* 6/2000 Larsen ..... D8/302  
6,131,993 A 10/2000 Pesta et al.  
6,142,561 A 11/2000 Pesta et al.  
D458,110 S \* 6/2002 Landeros ..... D8/331  
D501,785 S 2/2005 Mogus et al.  
D522,776 S 6/2006 Williams et al.  
7,571,960 B2 8/2009 Williams et al.  
D680,354 S 4/2013 Gasser  
D681,374 S 5/2013 Gasser  
D701,393 S \* 3/2014 Boeltl ..... D6/523  
D701,744 S \* 4/2014 Weinerman ..... D8/331

(Continued)

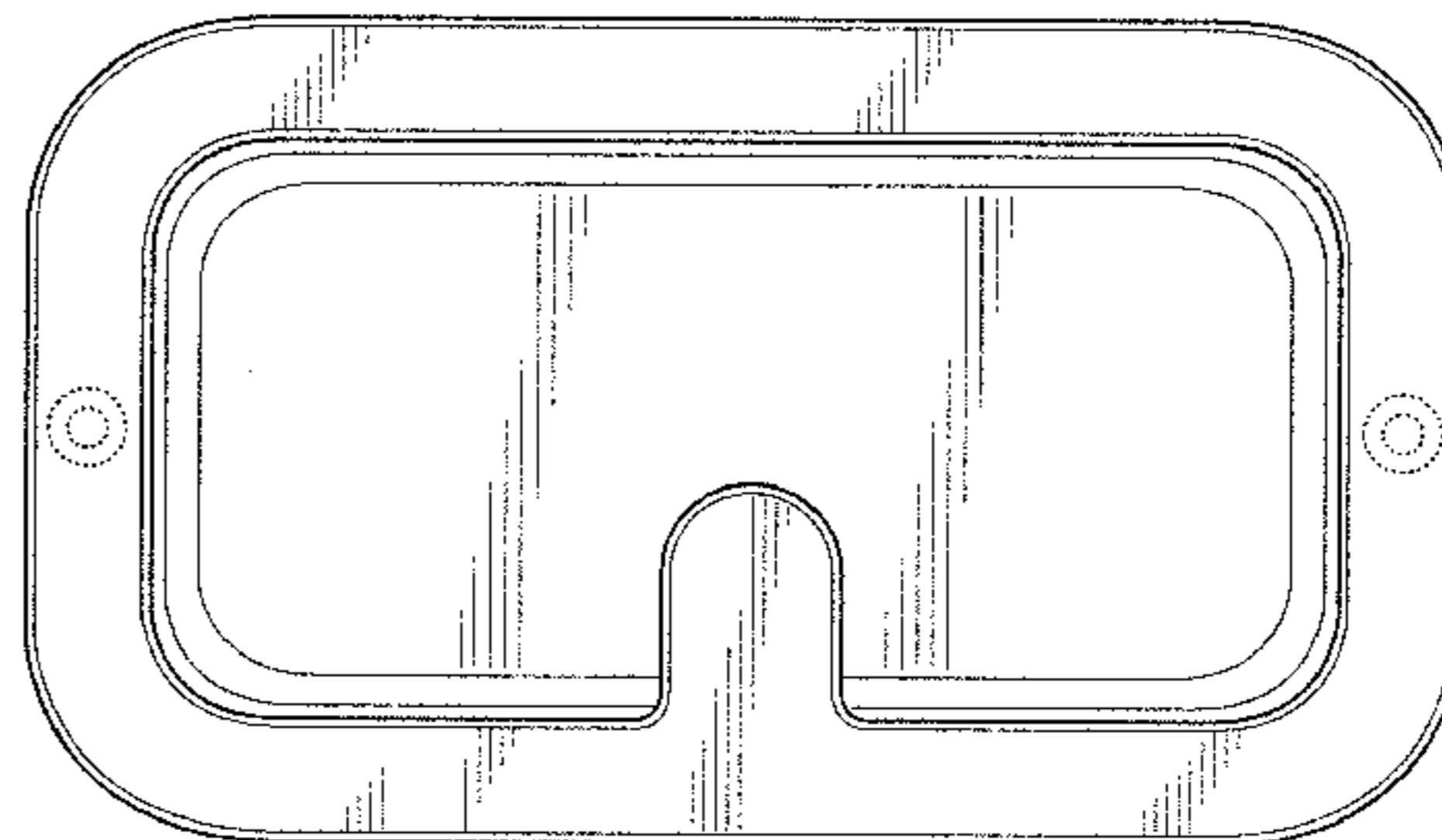
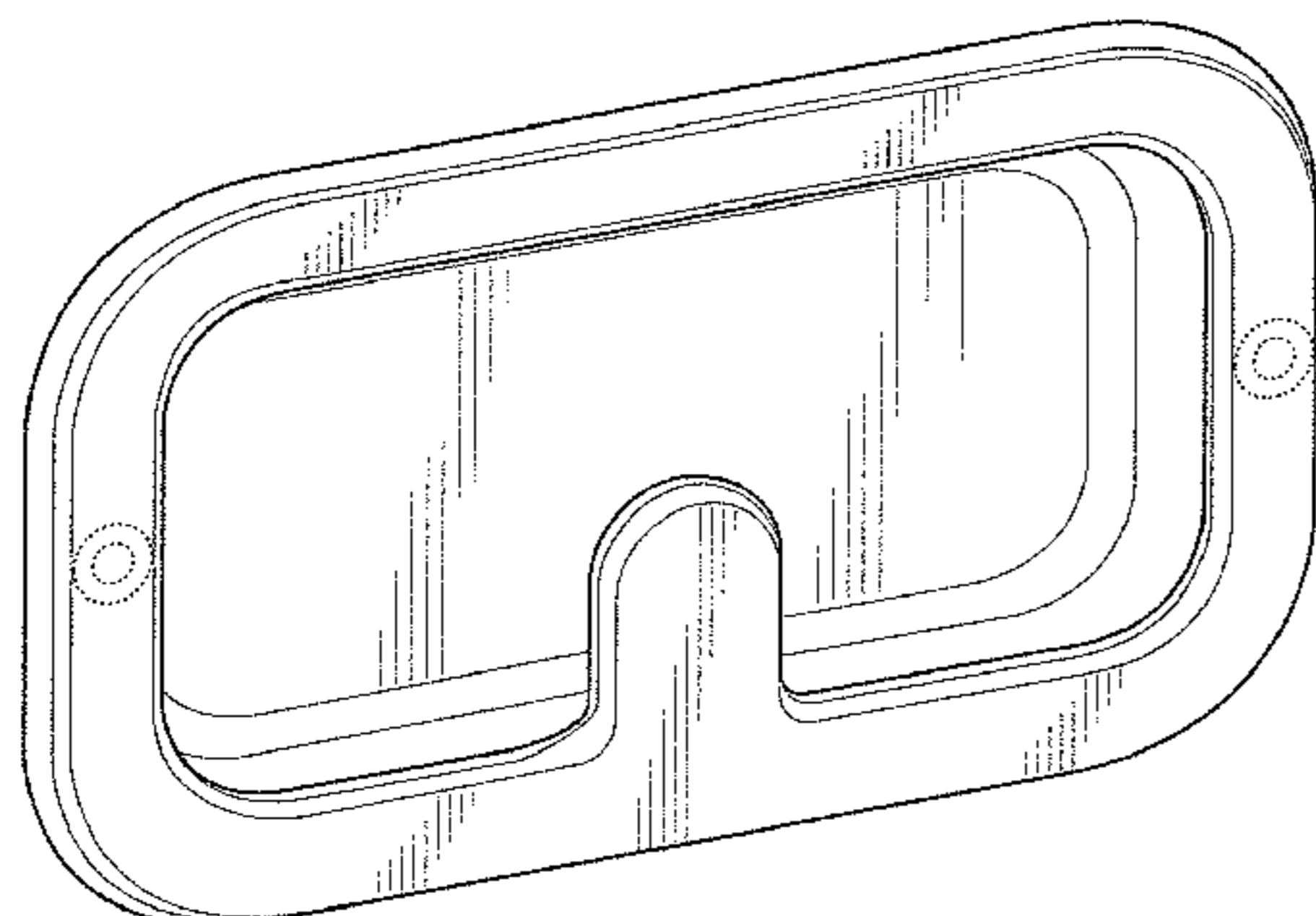
*Primary Examiner* — Manpreet Matharu  
*Assistant Examiner* — Keith Wilson  
(74) *Attorney, Agent, or Firm* — Dinsmore & Shohl LLP; Douglas L. Wathen

(57) **CLAIM**  
The ornamental design for a chair handle with hook, as shown and described.

**DESCRIPTION**

FIG. 1 is a perspective view of a chair handle with hook in accordance with the present invention;  
FIG. 2 is a rear view of the chair handle with hook of FIG. 1;  
FIG. 3 is a front view of the chair handle with hook of FIGS. 1 and 2;  
FIG. 4 is a side view of the chair handle with hook of FIGS. 1-3;  
FIG. 5 is an opposite side view of the chair handle with hook of FIGS. 1-4;  
FIG. 6 is a top view of the chair handle with hook of FIGS. 1-5; and,  
FIG. 7 is a bottom view of the chair handle with hook of FIGS. 1-6.  
The broken lines shown in the Figures are for environmental purposes only and form no part of the claimed design.

**1 Claim, 2 Drawing Sheets**



# US D770,196 S

Page 2

---

(56)

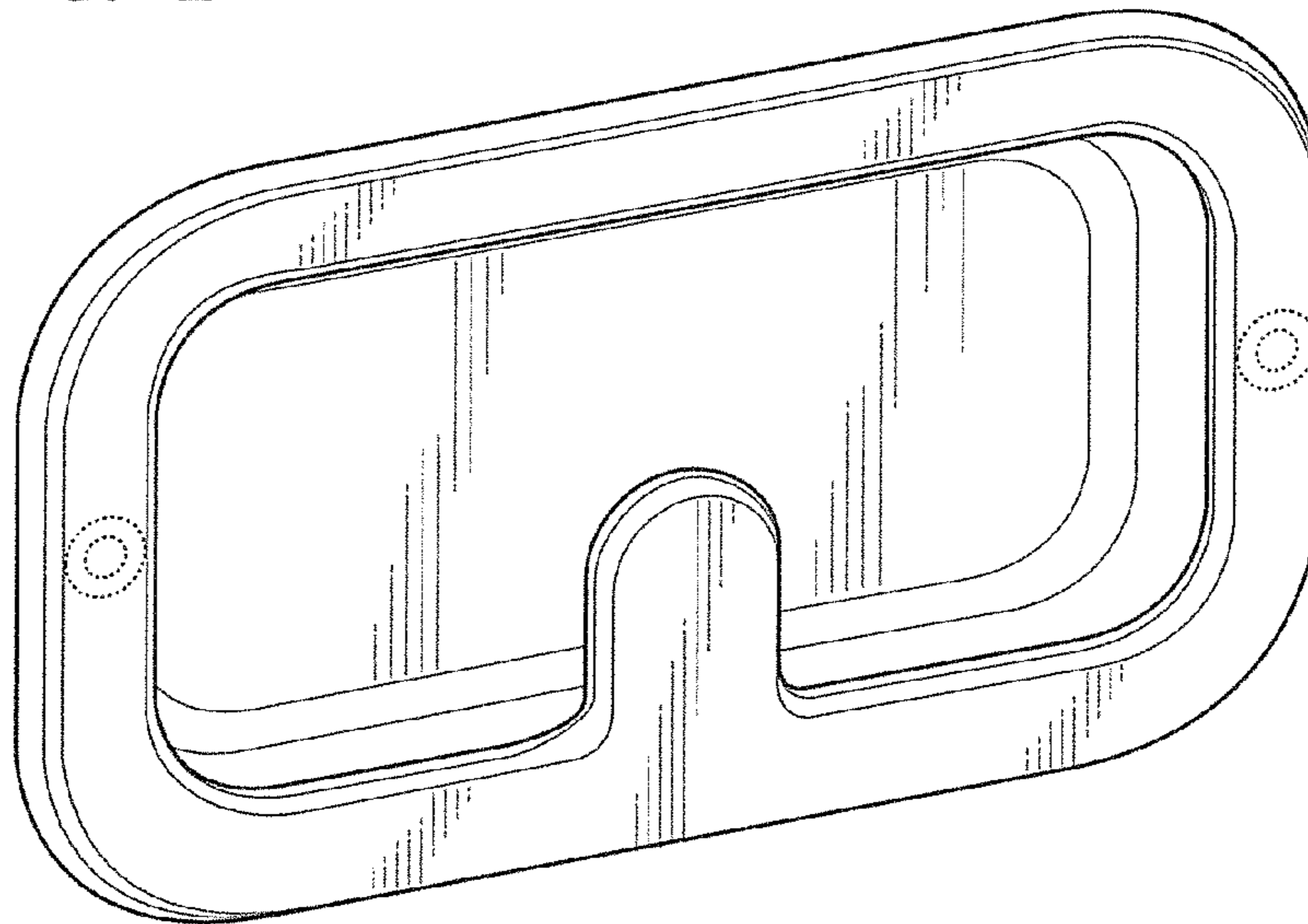
## References Cited

### U.S. PATENT DOCUMENTS

D730,716 S *	6/2015	Weinerman .....	D8/331
2014/0352223 A1*	12/2014	Le .....	E05B 17/002 49/344
D720,595 S *	1/2015	Bertani .....	D8/306

\* cited by examiner

**FIG. 1**



**FIG. 2**

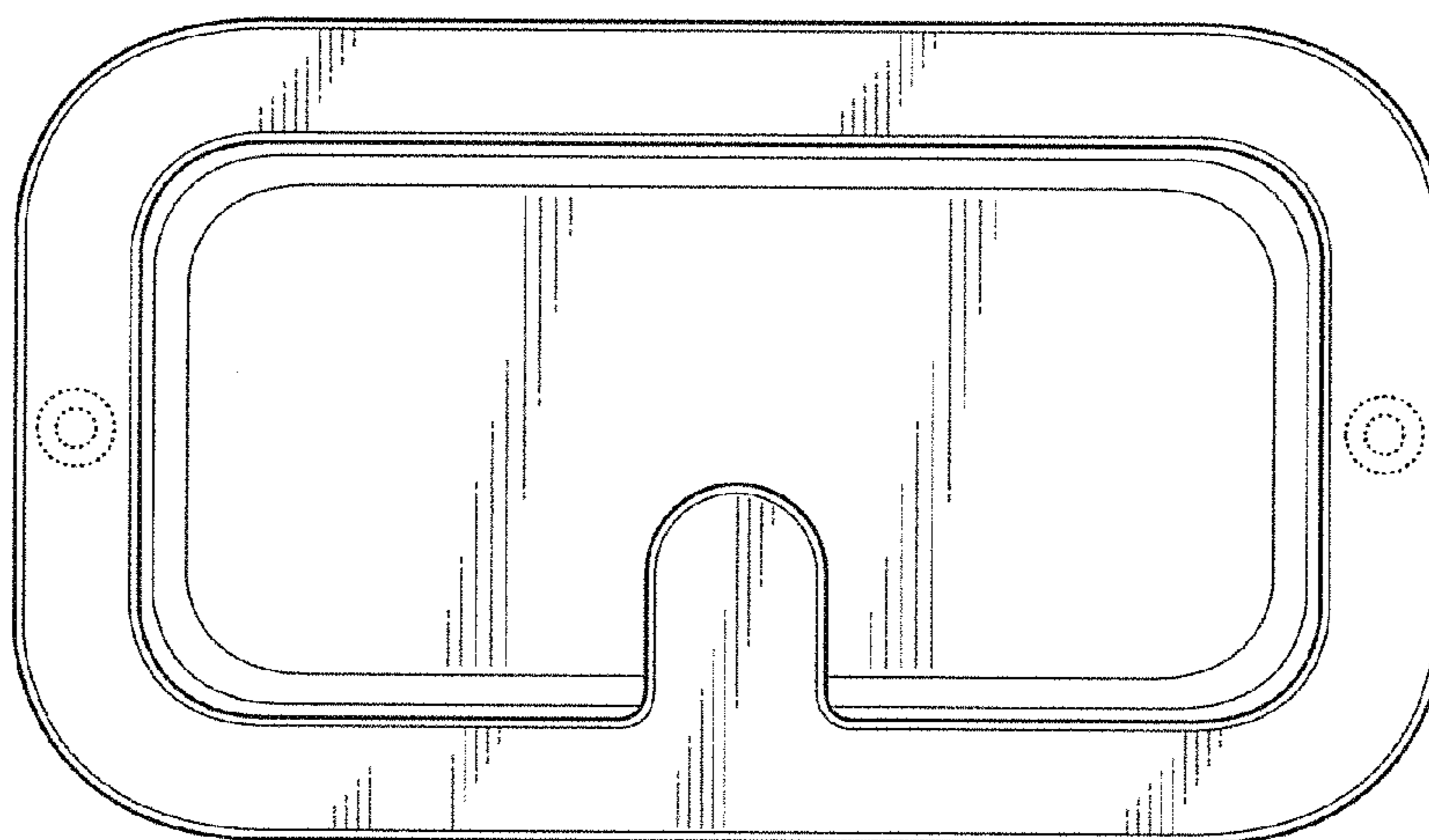


FIG. 3

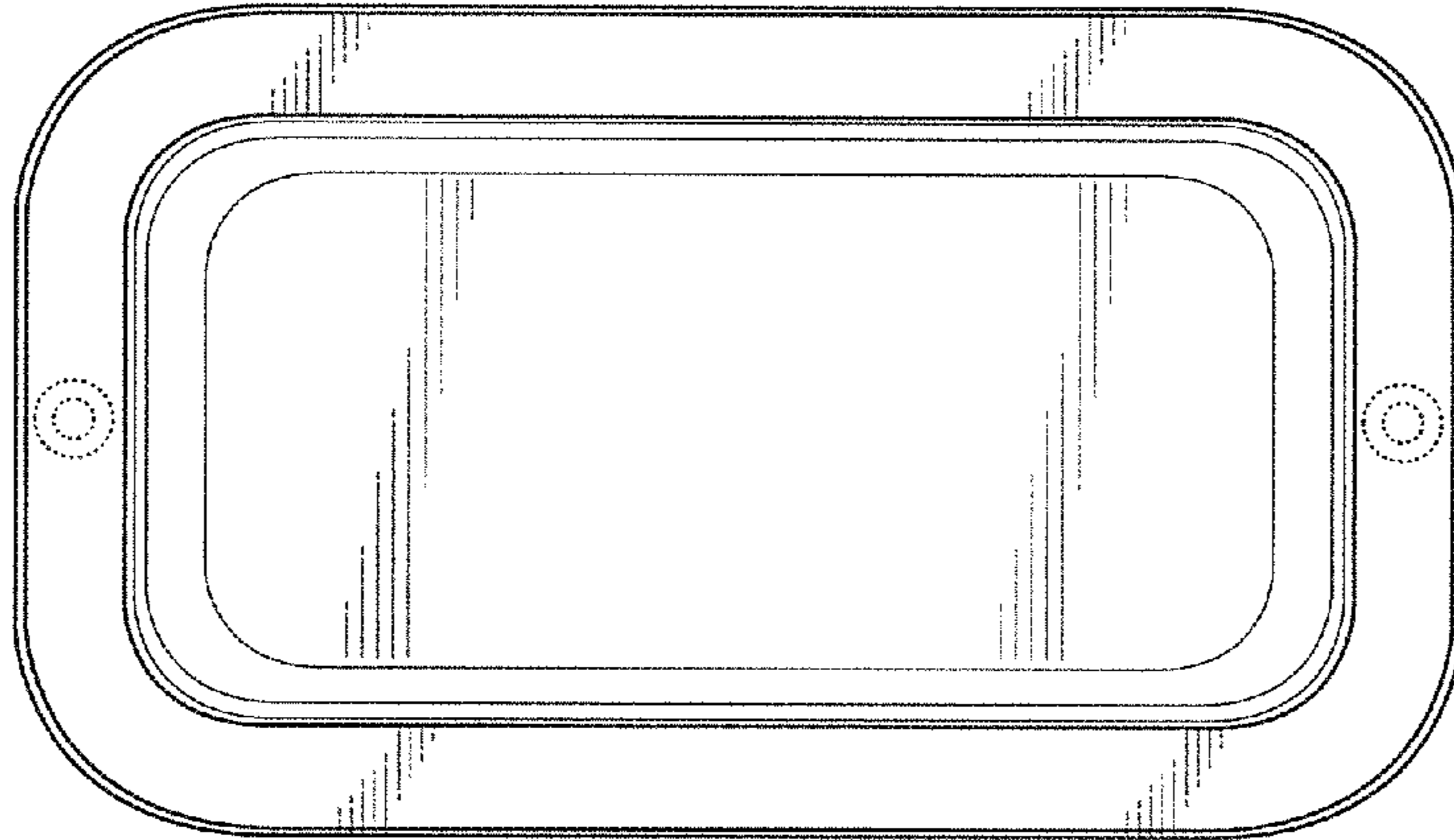


FIG. 4



FIG. 5

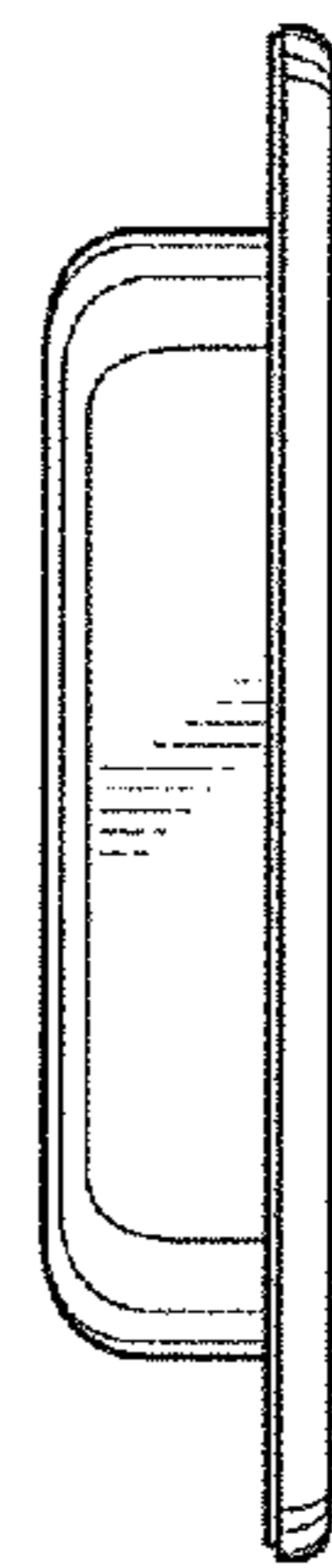


FIG. 6

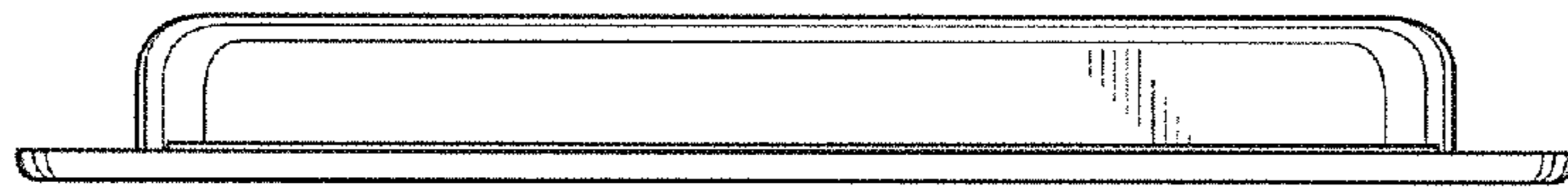


FIG. 7

