



US00D770190S

(12) **United States Design Patent** (10) **Patent No.:** **US D770,190 S**
Wirth (45) **Date of Patent:** **** Nov. 1, 2016**

(54) **CLIP FOR CLOTHES HANGERS**

D541,139 S * 4/2007 Jackson D8/367
D742,728 S * 11/2015 Ostler D8/373
D746,127 S * 12/2015 Cohen D8/367

(71) Applicant: **Liberty Procurement Co. Inc.**, Union, NJ (US)

* cited by examiner

(72) Inventor: **Joshua Wirth**, Mountainside, NJ (US)

Primary Examiner — Robert M Spear
Assistant Examiner — Eliza Bennett-Hattan

(73) Assignee: **Liberty Procurement Co. Inc.**, Union, NJ (US)

(74) *Attorney, Agent, or Firm* — Lerner, David, Littenberg, Krumholz & Mentlik, LLP

(**) Term: **15 Years**

(57) **CLAIM**

The ornamental design for a clip for clothes hangers, as shown and described.

(21) Appl. No.: **29/530,927**

DESCRIPTION

(22) Filed: **Jun. 22, 2015**

(51) **LOC (10) Cl.** **06-08**

(52) **U.S. Cl.**
USPC **D6/328; D8/373**

(58) **Field of Classification Search**
USPC D8/16, 19, 349, 354, 355, 363, 364, D8/367, 370-373, 376, 382, 384-386, D8/389; D6/323, 550, 328; D11/208; D26/87; D23/223, 238, 252, 257, 259; D20/15

CPC E05C 19/10; E05C 17/50; E05C 3/045; E05C 3/30; E05C 19/02; E05C 19/026; A47G 25/0614; A47G 25/18; A47G 25/32
See application file for complete search history.

FIG. 1 is a perspective view of my design for a clip for clothes hangers;
FIG. 2 is a front view of my design for a clip for clothes hangers;
FIG. 3 is a back view of my design for a clip for clothes hangers;
FIG. 4 is a right view of my design for a clip for clothes hangers;
FIG. 5 is a left view of my design for a clip for clothes hangers;
FIG. 6 is a top view of my design for a clip for clothes hangers; and,
FIG. 7 is a bottom view of my design for a clip for clothes hangers.

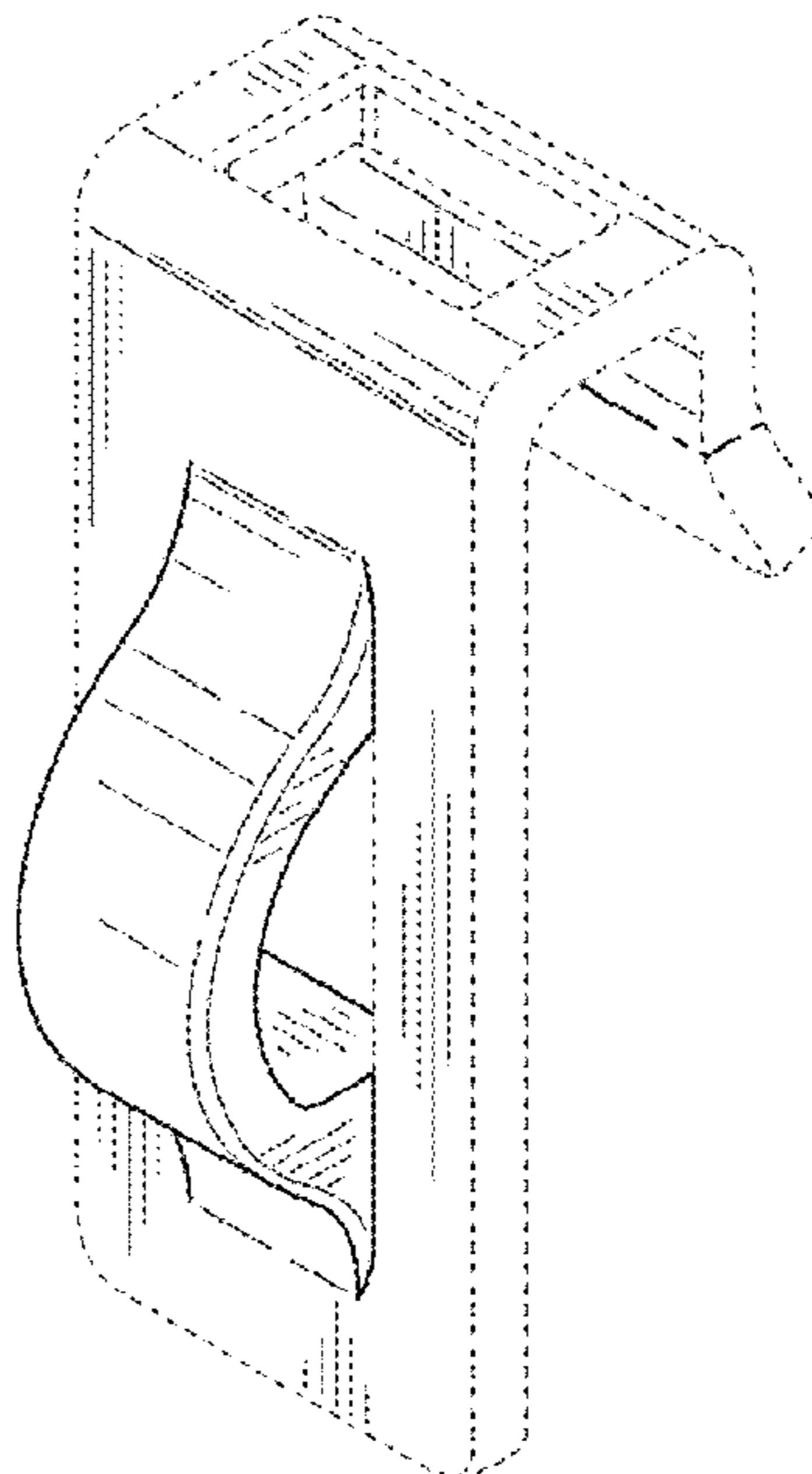
The broken lines shown in the drawings represent portions of the clip for clothes hangers that form no part of the claimed design. The broken and dot-dashed line(s) which define the bounds of the claimed design form no part thereof. As an example, the dot-dashed line(s) in the figures represent a boundary line(s) defining a boundary of certain aspects of the claimed design, it being understood that the claimed design extends to but does not include the defined boundary.

(56) **References Cited**

U.S. PATENT DOCUMENTS

D272,702 S * 2/1984 Kingsley, Jr. D8/371
D289,972 S * 5/1987 Fogelman D8/367
D327,641 S * 7/1992 Hoskinson D8/367
D382,464 S * 8/1997 McCoy D8/373
D385,481 S * 10/1997 Klein D8/373

1 Claim, 4 Drawing Sheets



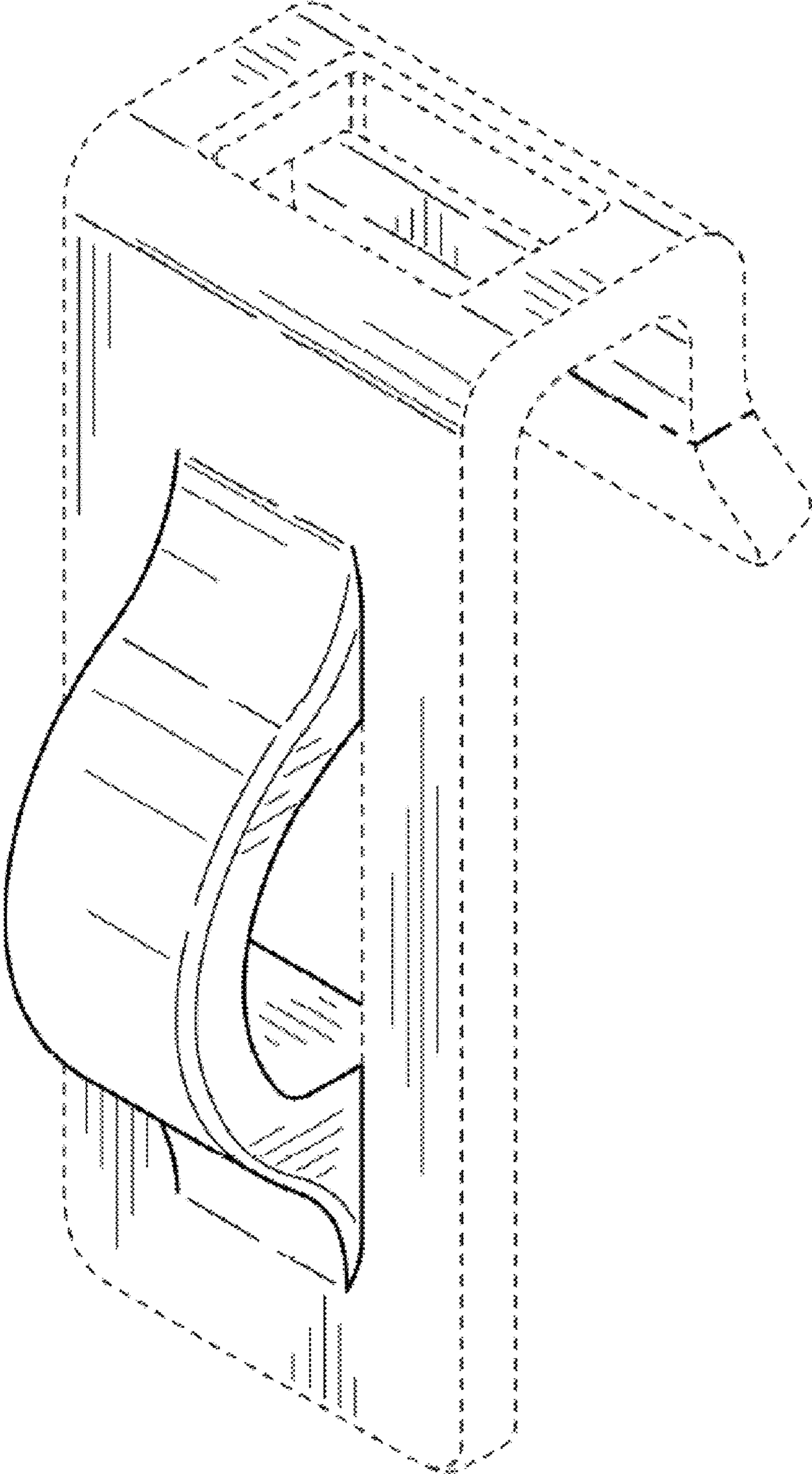


FIG. 1

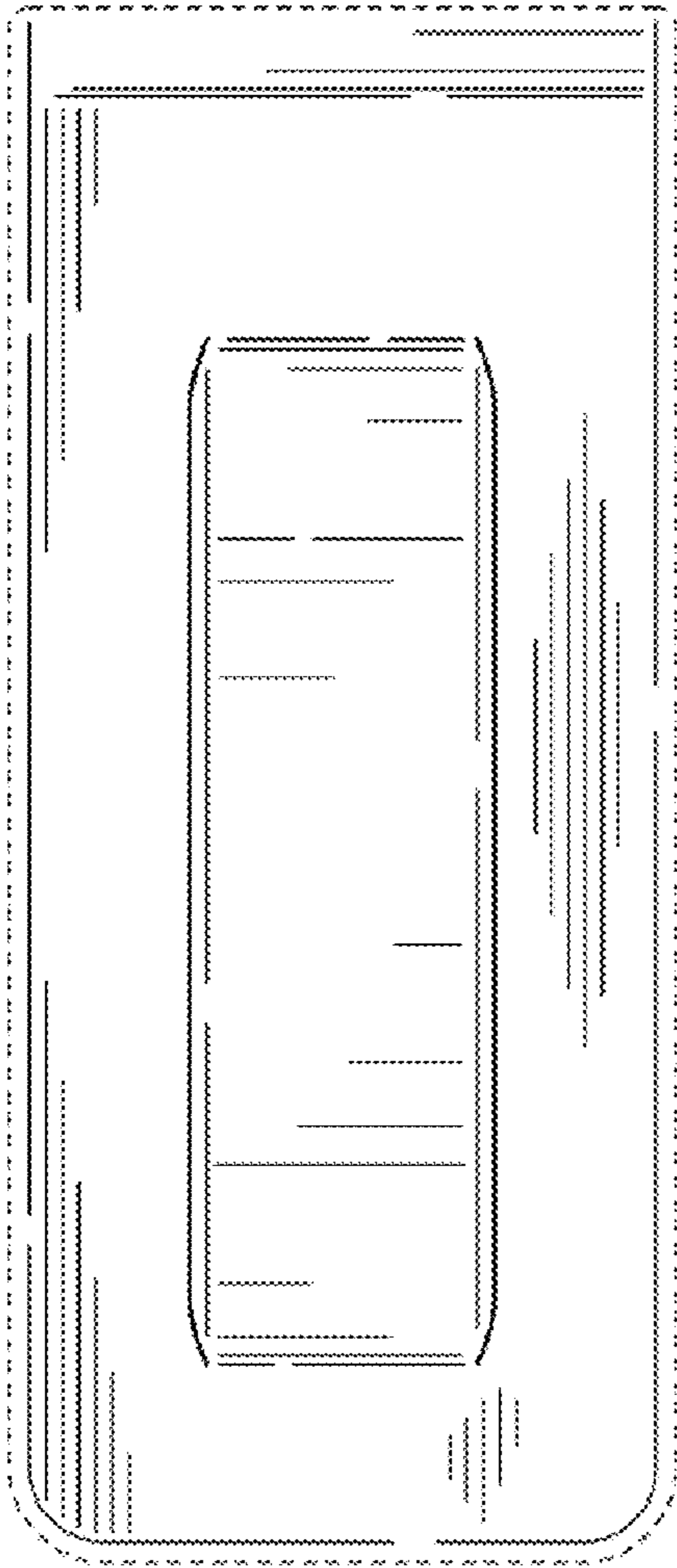


FIG. 2

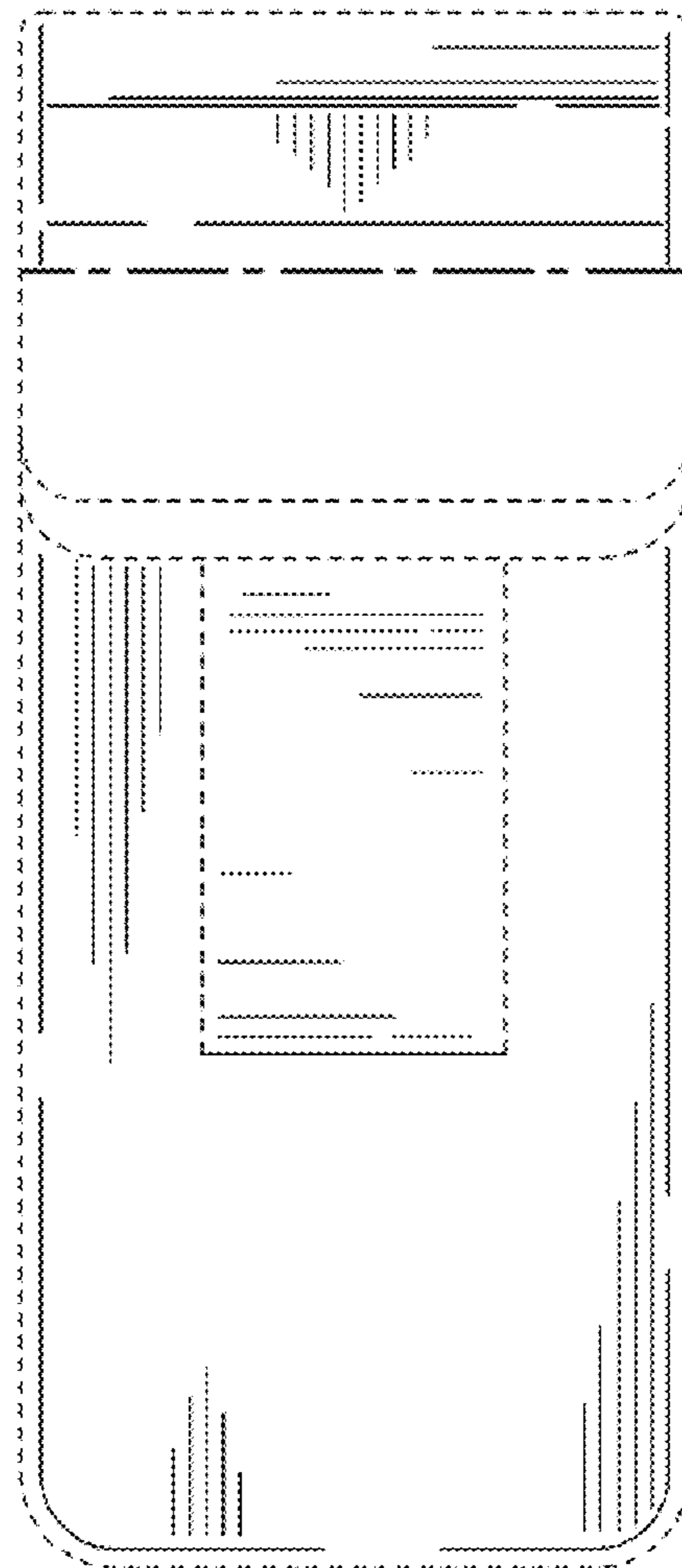


FIG. 3

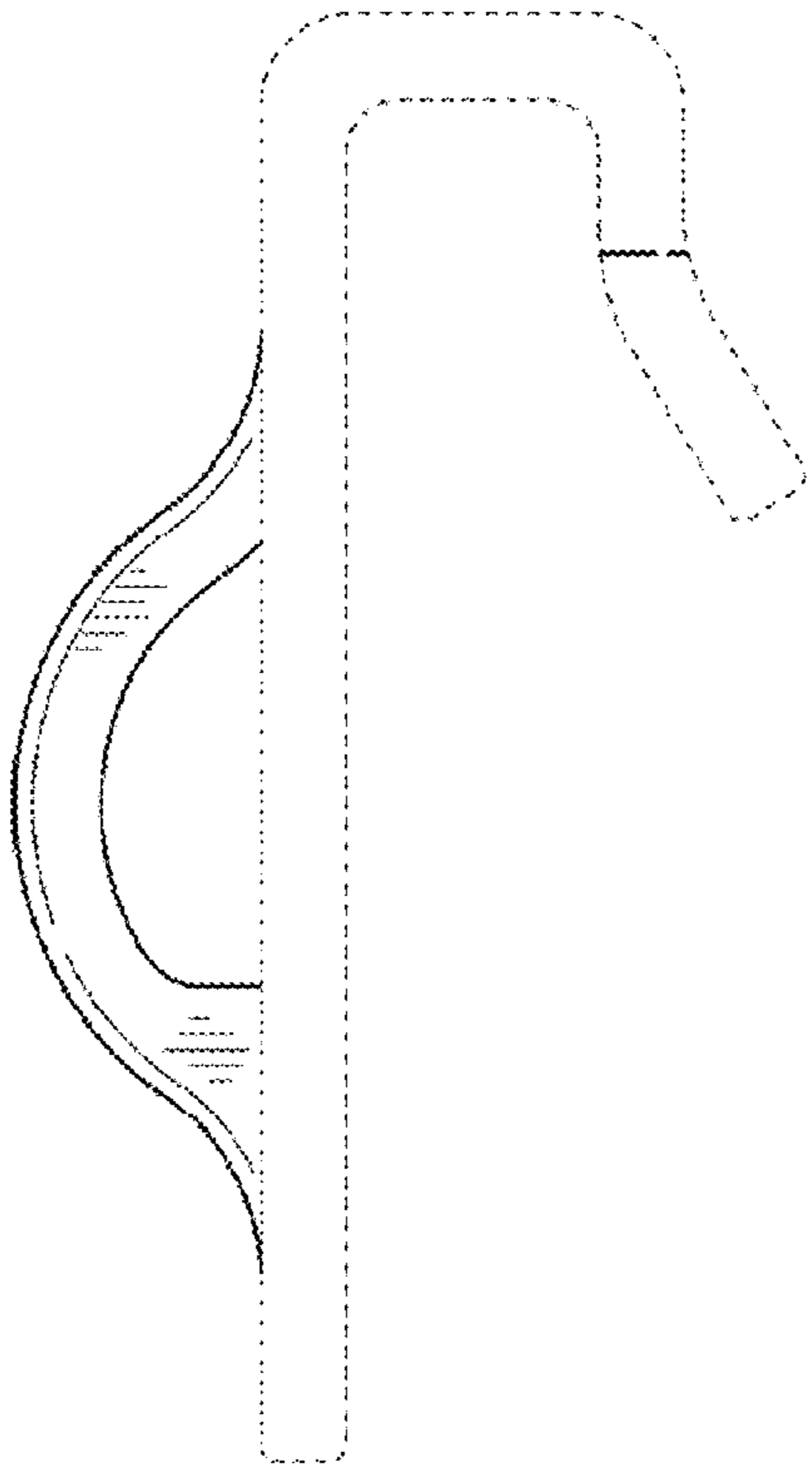


FIG. 4

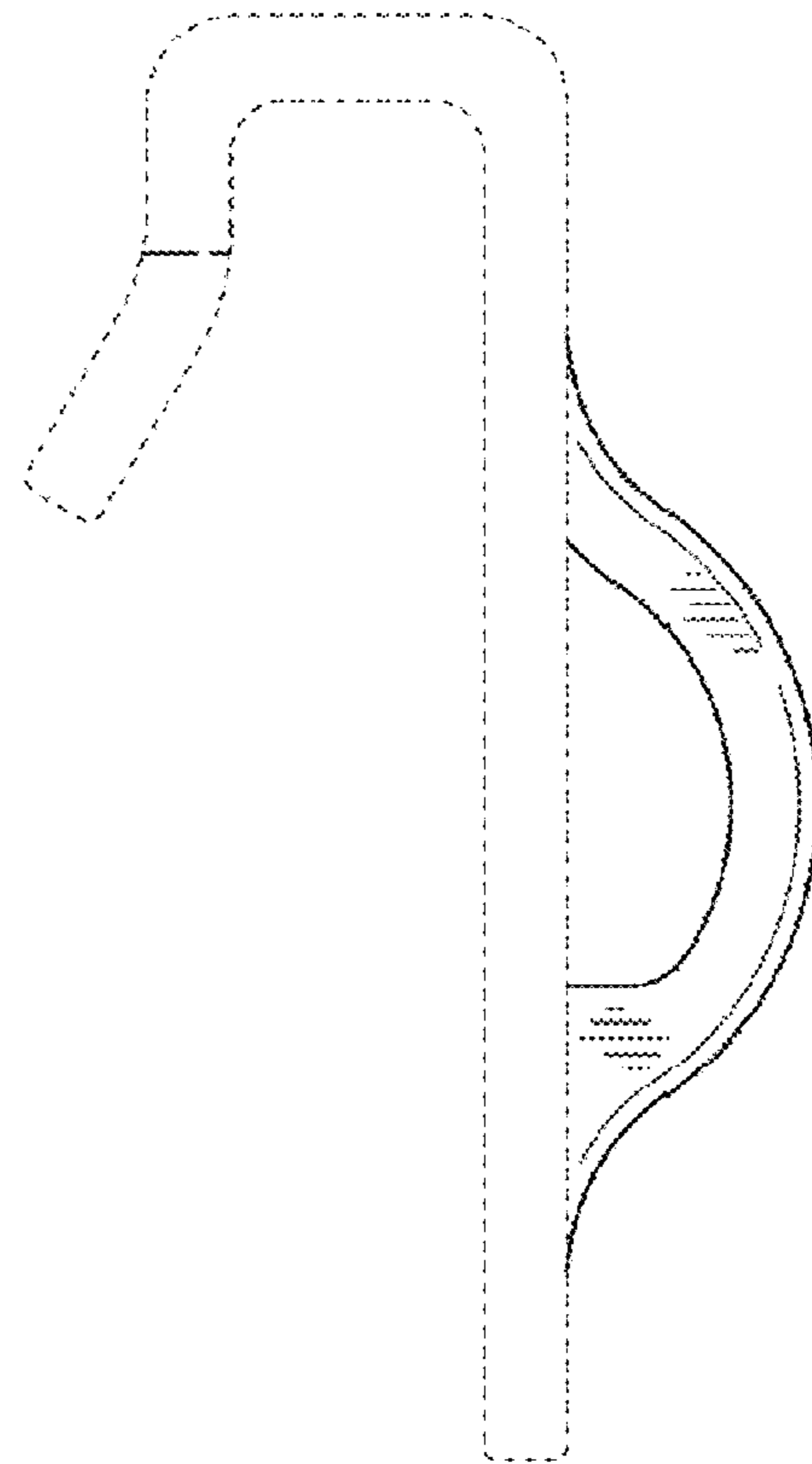


FIG. 5

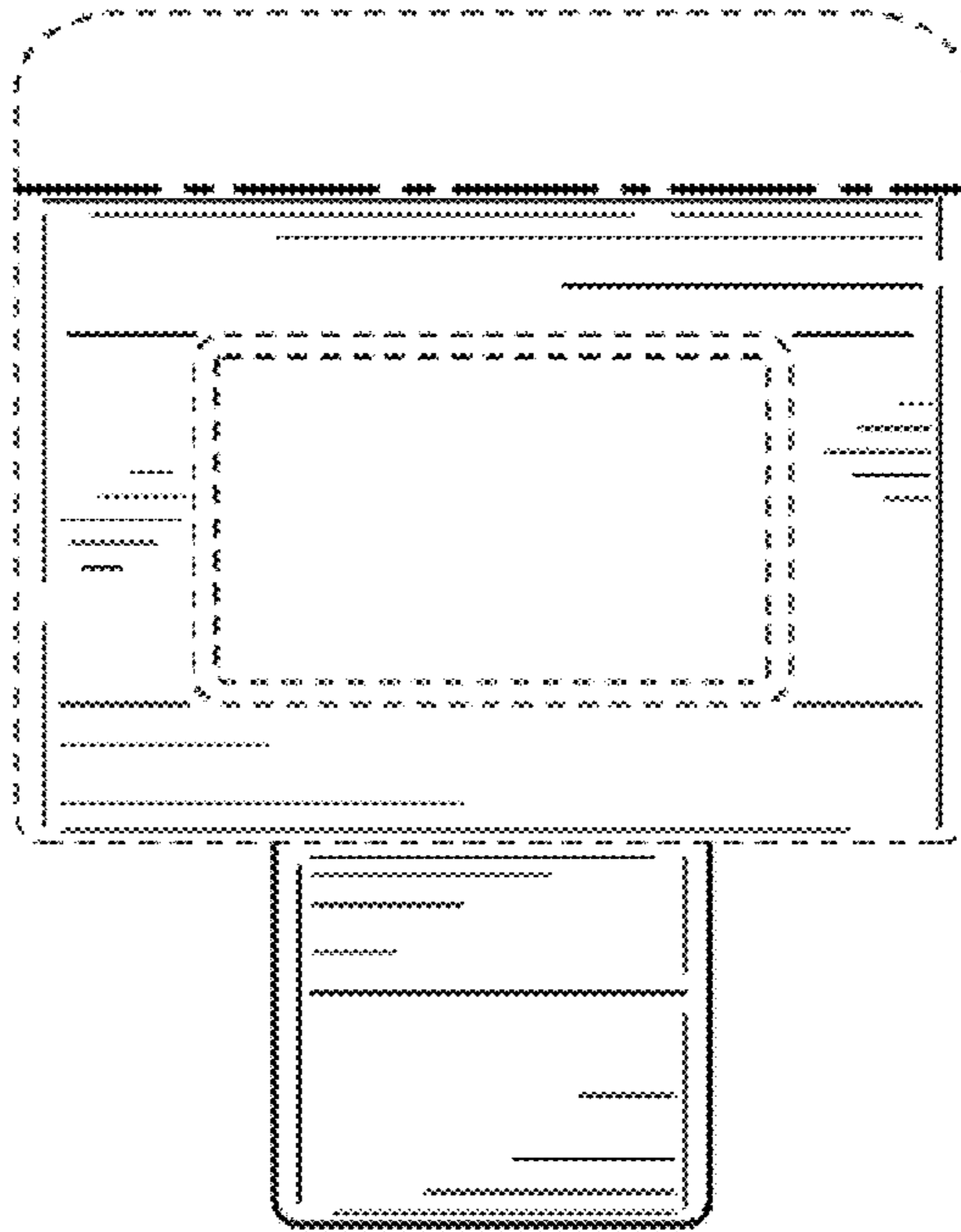


FIG. 6

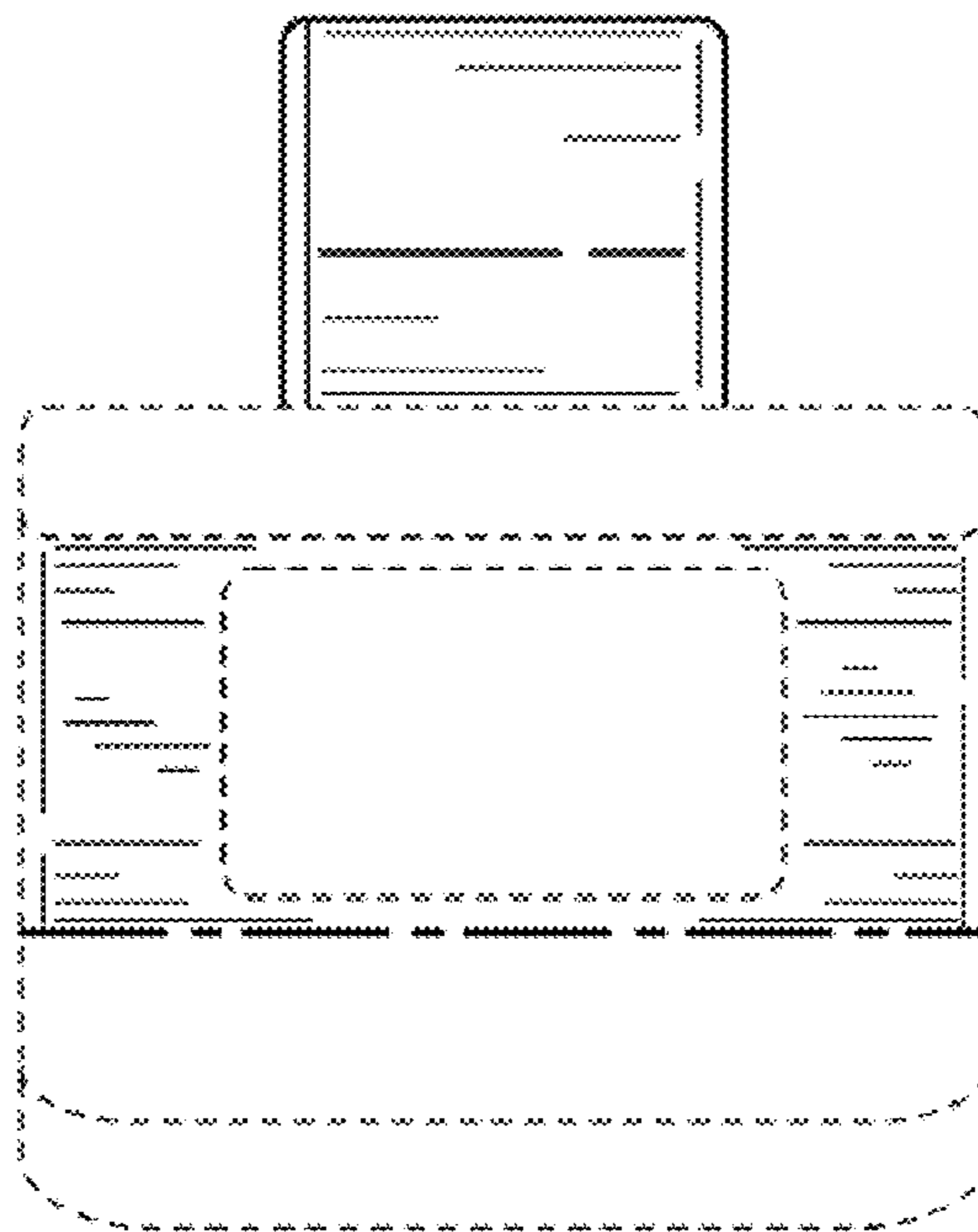


FIG. 7