



US00D770185S

(12) **United States Design Patent** (10) **Patent No.:** **US D770,185 S**
Shown et al. (45) **Date of Patent:** **** Nov. 1, 2016**

(54) **BRUSH HEAD WITH RECESSED CONVEX BRISTLES**

- (71) Applicant: **Bare Escentuals Beauty, Inc.**, San Francisco, CA (US)
- (72) Inventors: **Julie Shown**, San Francisco, CA (US); **Sarina Godin**, Oakland, CA (US); **Jennifer Allen**, San Francisco, CA (US)
- (73) Assignee: **Bare Escentuals Beauty, Inc.**, San Francisco, CA (US)
- (**) Term: **14 Years**
- (21) Appl. No.: **29/517,382**
- (22) Filed: **Feb. 12, 2015**

Related U.S. Application Data

- (63) Continuation-in-part of application No. 14/447,974, filed on Jul. 31, 2014, which is a continuation-in-part of application No. 29/485,705, filed on Mar. 21, 2014.
- (51) **LOC (10) Cl.** **04-02**
- (52) **U.S. Cl.**
USPC **D4/127; D4/132**
- (58) **Field of Classification Search**
USPC D4/127, 128, 130-135, 138, 199, 100, D4/102, 114, 116, 119, 120, 121, 83/0055; B65D 83/0011; B65D 83/0016; B65D 83/0027; B65D 83/0033; B65D 83/0038; B65D 83/005
See application file for complete search history.

(Continued)

(56) **References Cited**

U.S. PATENT DOCUMENTS

- 421,812 A * 2/1890 Bonner A46B 3/12 15/191.1
- 790,622 A * 5/1905 Erskine A46B 15/00 15/192

(Continued)

FOREIGN PATENT DOCUMENTS

FR 663618 A 8/1929 A45D 27/04

OTHER PUBLICATIONS

MakeupByJoyce—Brush Reviews, Mar. 2013 [online], Sigma F80 Cosmetic Brush, pp. 2-3 [retrieved on Dec. 31, 2014]; Retrieved from the Internet using Web Archive:<URL:http://web.archive.org/web/*/http://www.makeupbyjoyce.com>.

(Continued)

Primary Examiner — Susan Moon Lee

(74) *Attorney, Agent, or Firm* — Flaster/Greenberg P.C.

(57) **CLAIM**

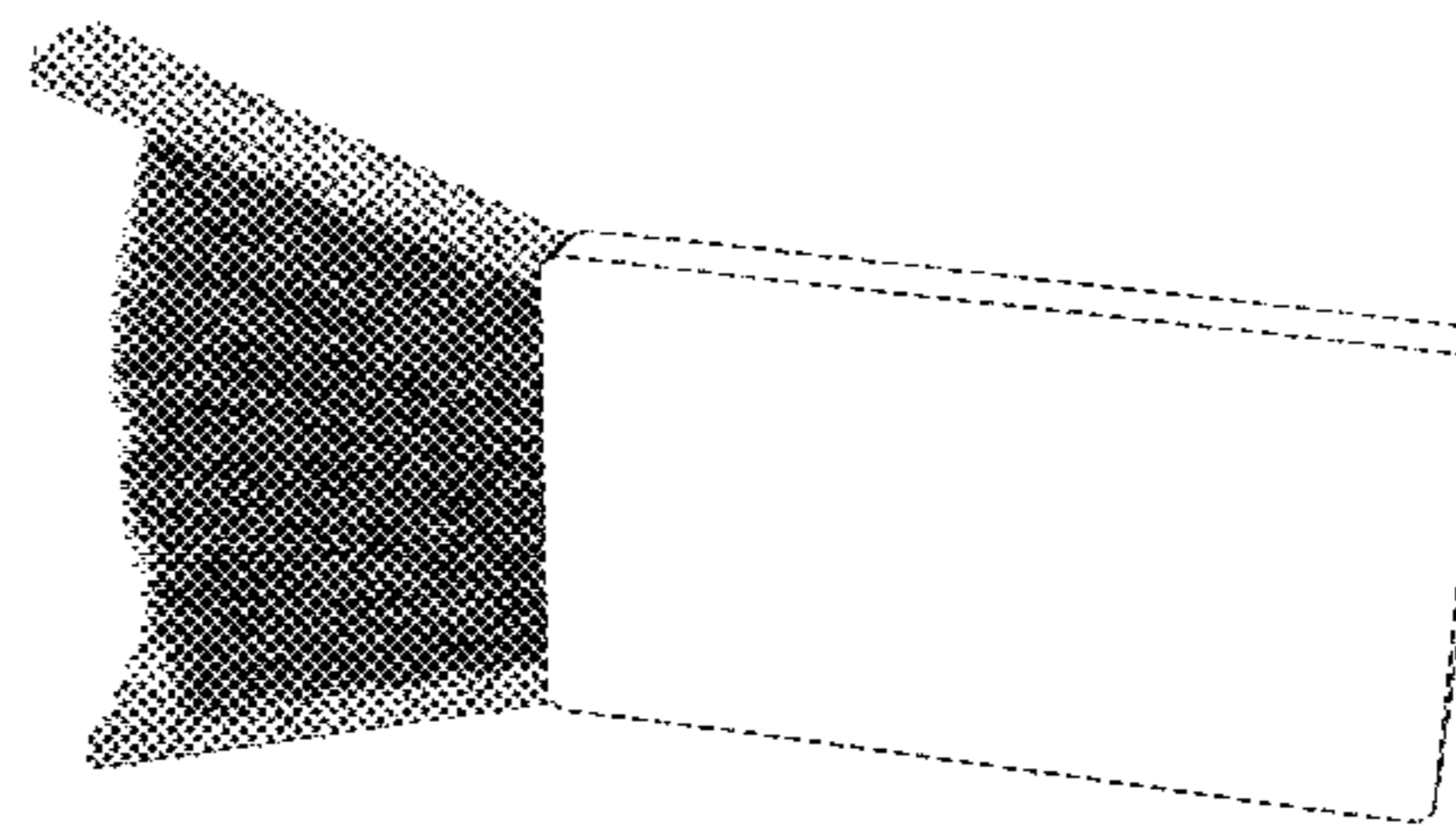
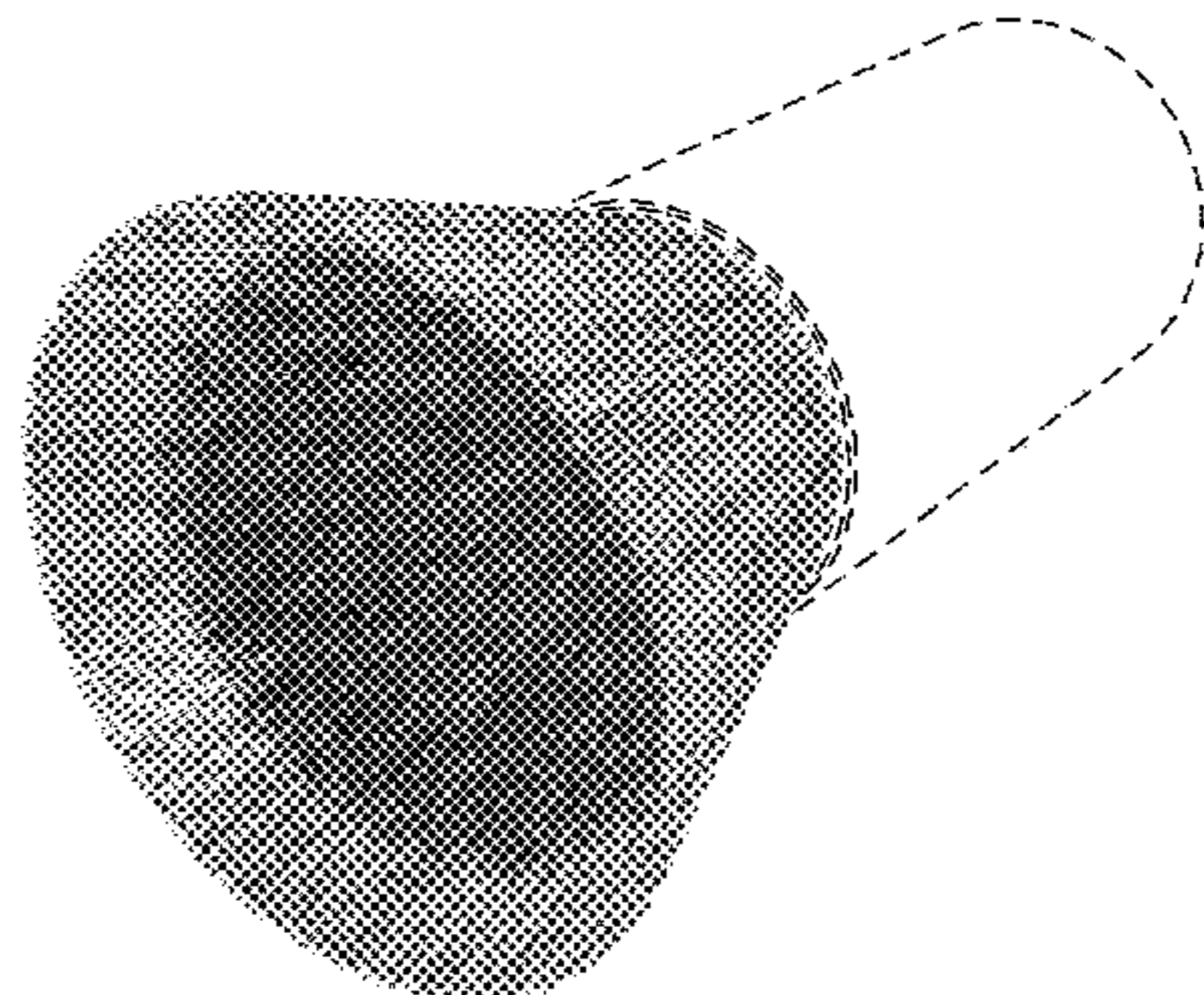
The ornamental design for a brush head with recessed convex bristles, as shown and described.

DESCRIPTION

FIG. 1 shows a front and right perspective view of a brush head with recessed convex bristles;
 FIG. 2 shows a sectional right side perspective view thereof;
 FIG. 3 shows a right side view of the brush head with recessed convex bristles;
 FIG. 4 shows a sectional right side elevation view of the brush head with recessed convex bristles;
 FIG. 5 shows a right side view of the brush head with recessed convex bristles;
 FIG. 6 shows a top view of the brush head with recessed convex bristles;
 FIG. 7 shows a bottom view of the brush head with recessed convex bristles;
 FIG. 8 shows a left side view of the brush head with recessed convex bristles;
 FIG. 9 shows a front side view of the brush head with recessed convex bristles; and,
 FIG. 10 shows a back side view of the brush head with recessed convex bristles.

The broken line showing of a handle in the drawings is for environmentally illustrative purposes only and forms no part of the claimed design.

1 Claim, 5 Drawing Sheets



(58) **Field of Classification Search**

USPC D4/124-126; D28/4, 7, 8, 9, 44, 45-49, D28/56-58, 62, 73, 76, 77, 84, 91, 99; 15/106, 207.2, 159.1, 160, 191.1, 204, 15/DIG. 5, DIG. 6, 143.1, 167.1, 111.1, 15/172, 176.1, 184, 167.3, 104.94, 110, 15/192, 1, 21.2, 30, 88.3, 98, 104.001, 15/105, 112, 114, 144.1, 144.4, 145, 146, 15/149, 153, 171, 176.2, 176.3, 176.4, 15/176.6, 179, 182, 183, 185, 186, 187, 15/193, 194, 198, 201, 202, 206, 246, 247, 15/250.22, 250.31, 250.32, 250.34, 15/250.39, 250.41, 256.5, 256.52, 256.53, 15/257.01, 257.6; 132/200, 201, 212, 218, 132/150, 73, 73.5, 75, 75.3, 76.2, 76.5, 286, 132/289, 290, 293, 294, 297, 298, 299, 313, 132/317, 318, 320, 333; 401/126-281, 282, 401/288, 291, 111, 99, 102, 107-109, 401/112-119, 124, 292; 300/1, 8, 17, 20, 300/21, 18, 19; 206/581; 601/154; 222/390, 222/92, 104, 107; 16/422, 429, 430, 110.1, 16/111.1

CPC A46B 3/00; A46B 3/10; A46B 3/12; A46B 3/22; A46B 5/00; A46B 5/0016; A46B 5/002; A46B 5/005; A46B 5/0054; A46B 5/0062; A46B 5/0075; A46B 5/0079; A46B 5/0091; A46B 5/0095; A46B 5/02; A46B 5/021; A46B 5/023; A46B 5/025; A46B 5/026; A46B 5/028; A46B 7/00; A46B 7/02; A46B 7/023; A46B 7/026; A46B 7/04; A46B 7/042; A46B 7/044; A46B 7/046; A46B 7/048; A46B 7/06; A46B 9/00; A46B 9/02; A46B 9/021; A46B 9/025; A46B 9/026; A46B 9/028; A46B 9/045; A46B 9/06; A46B 9/065; A46B 9/08; A46B 9/10; A46B 9/12; A46B 11/00; A46B 11/0003; A46B 11/0006; A46B 11/001; A46B 11/0013; A46B 11/0024; A46B 11/0027; A46B 11/0031; A46B 11/0062; A46B 11/0072; A46B 11/0075; A46B 15/00; A46B 15/0016; A46B 15/0055; A46B 15/0065; A46B 15/0069; A46B 15/0075; A46B 15/0085; A46B 15/0087; A46B 15/0089; A46B 15/0095; A46B 15/0097; A45D 27/00; A45D 27/04; A45D 27/06; A45D 33/00; A45D 33/003; A45D 33/005; A45D 33/006; A45D 33/02; A45D 33/025; A45D 33/16; A45D 33/18; A45D 33/26; A45D 33/28; A45D 33/34; A45D 33/36; A45D 34/042; A45D 34/043; A45D 34/06; A45D 2033/001; A45D 40/00; A45D 40/02; A45D 40/023; A45D 40/04; A45D 40/06; A45D 40/12; A45D 40/18; A45D 40/20; A45D 40/205; A45D 40/262; A45D 40/28; A45D 2040/0006; A45D 2040/105; A45D 2040/2012; A46D 1/02; A46D 1/00; A46D 1/0276; A46D 1/006; A46D 1/0207; A46D 1/023; A46D 1/0238; A46D 1/0261; A46D 1/0284; A46D 1/0292; A46D 1/08; Y10T 16/44; Y10T 16/444; B65D 83/00; B65D

See application file for complete search history.

(56)

References Cited

U.S. PATENT DOCUMENTS

925,178 A * 6/1909 Hardman A46B 3/12
15/191.1

955,061 A * 4/1910 Erskine A46B 3/12
15/191.1

1,092,710 A 4/1914 Hartman 15/191.1

1,106,378 A * 8/1914 Hardman A46B 15/00
15/192

1,120,476 A 12/1914 Hansen 15/192

1,197,210 A * 9/1916 Jordan B65D 83/0055
132/320

1,247,484 A * 11/1917 Albrecht, Jr. A46B 13/06
132/289

1,358,597 A * 11/1920 Tobias A46B 15/00
15/110

1,359,733 A * 11/1920 Palmer A46B 11/0041
401/277

1,392,369 A * 10/1921 Stoewsand A46B 11/0055
401/150

1,396,474 A * 11/1921 Tibbetts A46B 11/0013
401/150

1,412,958 A * 4/1922 Pearlmutter A46B 11/0041
401/146

1,419,887 A * 6/1922 Myers A46B 15/00
15/184

1,493,775 A * 5/1924 Fetters A46B 15/00
132/289

1,563,031 A * 11/1925 Jones A46B 9/08
15/169

D73,782 S * 11/1927 Fuld D4/127

1,694,364 A * 12/1928 Albright A46B 15/00
15/159.1

1,716,211 A * 6/1929 Cuevas A46B 15/00
15/194

1,749,052 A * 3/1930 Watt A46B 15/00
15/184

1,763,905 A * 6/1930 Rusell A46B 11/0013
401/184

1,783,754 A * 12/1930 Stepelton A46B 11/0027
401/175

1,810,544 A * 6/1931 Trupiano A46B 11/0013
401/279

1,813,615 A * 7/1931 Frazier A45D 27/04
401/1

1,815,119 A * 7/1931 Skvorecz A46B 11/0024
401/152

1,858,452 A * 5/1932 Lancellotti A46B 11/0027
401/176

1,904,612 A * 4/1933 Mogens A46B 11/0027
229/123.2

1,920,398 A * 8/1933 Jones A46B 11/001
132/290

1,923,884 A 8/1933 Pushee 300/21

1,956,477 A * 4/1934 Segal A46B 15/00
15/185

1,981,851 A * 11/1934 Aten A45D 27/04
15/244.1

2,067,756 A * 1/1937 Espinosa A46B 11/0013
132/289

2,145,570 A * 1/1939 Miettunen A46B 11/002
222/386

2,240,547 A * 5/1941 Buddish A46B 15/00
15/193

2,358,252 A * 9/1944 Rowan A46B 11/08
132/290

2,425,474 A * 8/1947 Hussey A46B 11/0017
132/290

2,529,036 A * 11/1950 Loewinsohn A46B 11/0013
401/276

2,535,716 A * 12/1950 Bella A46B 15/00
15/160

2,548,429 A * 4/1951 Fitzgerald A46B 15/00
15/168

2,756,908 A * 7/1956 Miller A46B 11/0017
132/290

3,205,523 A * 9/1965 Seaver A46B 7/023

(56)

References Cited

U.S. PATENT DOCUMENTS

3,309,727 A 3/1967 Snodderly 15/169
 3,309,728 A * 3/1967 Seaver A46B 7/023
 3,343,201 A * 9/1967 Cox A46B 11/0017
 3,351,418 A * 11/1967 Karnuth A46B 11/0017
 3,376,095 A * 4/1968 Johnson A46B 11/0017
 3,470,890 A * 10/1969 Nakata A45D 33/34
 3,653,090 A * 4/1972 Weaver A46B 11/0017
 3,978,852 A * 9/1976 Annoni A46B 7/02
 D251,159 S * 2/1979 Tolliver D4/114
 4,454,622 A * 6/1984 Poppendieck A46B 9/021
 D278,951 S * 5/1985 Kalinsky D28/7
 D278,952 S * 5/1985 Kalinsky D28/7
 4,603,992 A * 8/1986 Kavoussi A46B 11/0017
 4,605,022 A * 8/1986 Gueret A45D 33/00
 4,626,119 A * 12/1986 Ladd, Jr. A46B 7/02
 D304,392 S * 11/1989 Reich D4/135
 4,944,625 A * 7/1990 Futter A46B 11/0072
 D310,918 S * 10/1990 Futter D4/114
 D320,698 S * 10/1991 Reich D4/135
 5,195,546 A * 3/1993 Cansler A46D 1/00
 D350,853 S * 9/1994 Basque D4/135
 5,373,599 A * 12/1994 Lemon A46B 11/00
 5,976,692 A * 11/1999 Brezler, III A46D 1/00
 6,224,287 B1 * 5/2001 Gieux A45D 33/34
 D450,930 S * 11/2001 Mink D4/135
 6,347,425 B1 * 2/2002 Fattori A61C 17/40
 6,398,027 B1 * 6/2002 Ryu A45C 11/008
 6,490,747 B1 * 12/2002 Metwally A46D 1/00
 D480,217 S * 10/2003 Mink D4/127
 6,795,997 B1 * 9/2004 Lin A46B 5/0033
 D536,177 S * 2/2007 Arnaud D28/91
 D562,005 S * 2/2008 King D4/129
 D571,105 S 6/2008 Godin D4/119
 D601,804 S * 10/2009 Hwang D4/103
 8,060,971 B1 * 11/2011 Castelluccio A46B 5/0091
 D663,957 S 7/2012 Garcia D4/135
 D676,666 S * 2/2013 Nelson D4/127
 D692,672 S 11/2013 Chan et al. D4/128
 8,678,693 B2 3/2014 Sturgis 401/287
 D706,542 S * 6/2014 Lavigne D4/135
 8,777,507 B1 * 7/2014 Carey A46B 11/001
 D715,558 S * 10/2014 Brewer D4/102
 2001/0052160 A1 * 12/2001 Dorf A46B 9/021
 2002/0181998 A1 * 12/2002 Petit A45D 33/02
 2004/0089318 A1 * 5/2004 Tahara A45D 33/006
 2004/0107521 A1 * 6/2004 Chan A46B 9/028
 2004/0134002 A1 * 7/2004 Zimmer A46B 9/028

2004/0205916 A1 * 10/2004 Byun A45D 33/18
 2005/0045200 A1 3/2005 Zeunlk 132/290
 2005/0138746 A1 * 6/2005 Young-Chul A46B 3/00
 2005/0188999 A1 * 9/2005 Byun A45D 34/02
 2005/0257337 A1 * 11/2005 Clegg A46B 15/0036
 2006/0090277 A1 * 5/2006 Petit A45D 33/00
 2007/0098485 A1 * 5/2007 Byun A45D 33/02
 2007/0177930 A1 * 8/2007 Byun A45D 33/02
 2007/0209675 A1 * 9/2007 Byun A45D 33/02
 2008/0063672 A1 * 3/2008 Mandelli A45D 33/00
 2009/0089949 A1 * 4/2009 Mink A46B 3/10
 2009/0180825 A1 * 7/2009 Chang A46B 11/0013
 2010/0003066 A1 * 1/2010 Thorpe A45D 27/04
 2010/0021229 A1 * 1/2010 Byun A45D 33/02
 2010/0077559 A1 * 4/2010 Mink A45D 40/262
 2010/0095973 A1 * 4/2010 Shrier A46B 7/04
 2010/0101035 A1 * 4/2010 Nakamura A46B 9/021
 2011/0174680 A1 * 7/2011 Arvin A45D 33/00
 2012/0260931 A1 * 10/2012 Martin A46B 13/02
 2012/0272982 A1 * 11/2012 Telwar A46B 3/10
 2013/0014338 A1 * 1/2013 Park A46B 9/021
 2013/0111688 A1 * 5/2013 Lim A46B 17/04
 2013/0199558 A1 * 8/2013 Feller A45D 33/00
 2013/0263886 A1 * 10/2013 Brescia A45D 44/00
 2013/0312784 A1 * 11/2013 Greiner A46B 15/00
 2014/0317864 A1 * 10/2014 Walther A46B 17/02
 2014/0325775 A1 11/2014 Nakamura et al. 15/160
 2014/0325779 A1 * 11/2014 Dansby A46B 17/02
 2014/0331428 A1 * 11/2014 Nakamura A46B 9/021
 2014/0331429 A1 * 11/2014 Lim A45D 40/262
 2015/0121638 A1 * 5/2015 Lim A46B 7/023
 2015/0143652 A1 * 5/2015 Walker A46B 9/021
 2015/0265039 A1 * 9/2015 Godin A46B 9/021
 2015/0296965 A1 * 10/2015 Peskin A46B 9/021
 2015/0296968 A1 * 10/2015 Hwang A46B 9/021

OTHER PUBLICATIONS

Care Makeup—Brushes and Tools, Sep. 2011 [online], Shiseido Foundation Brush, pp. 10-11, [retrieved on Jan. 8, 2015]; Retrieved from the Internet using Web Archive:<http://web.archive.org/web/*/http://ww.cafremakeup.com>. Email from bare escentuals.com; Subject: The big (and we mean Big) reveal . . . ; dated Feb. 19, 2014; 2 pages.

(56)

References Cited

OTHER PUBLICATIONS

www.loew-cornell.com/product-page-pages-43 La Corneille Golden Taklon Aura Brush; obtained Mar. 12, 2014; 1 page.
<http://web.mit.edu/nnf/education/wettability/wetting.html>; “Wettability; non-wettability and contact angle hysteresis” obtained Jul. 17, 2014; 5 pages.
<http://e.wikipedia.org/wiki/wetting>; “Wetting” obtained Jul. 17, 2014; 13 pages.
http://e.wikipedia.org/wiki/Contact_angle; “Contact angle” obtained Jul. 17, 2014; 6 pages.

<http://www.astm.org/Standards/D7334.htm>; “Standard Practice for Surface Wettability of Coatings, Substrates and Pigments by Advancing Contact Angle Measurement” ASTM D7334 dated Aug. 2013; 2 pages.

https://www.bareessentials.com/on/demandware.store/Sites-BareEssentials-Site/en_US; bareSkin Pure Brightening Serum Foundation; obtained Jul. 16, 2014; 3 pages.

<http://www.bareessentials.com> “bareSkin® Pure Brightening Serum Foundation Broad Spectrum SPF 20” obtained Jul. 16, 2014; 3 pages.

* cited by examiner

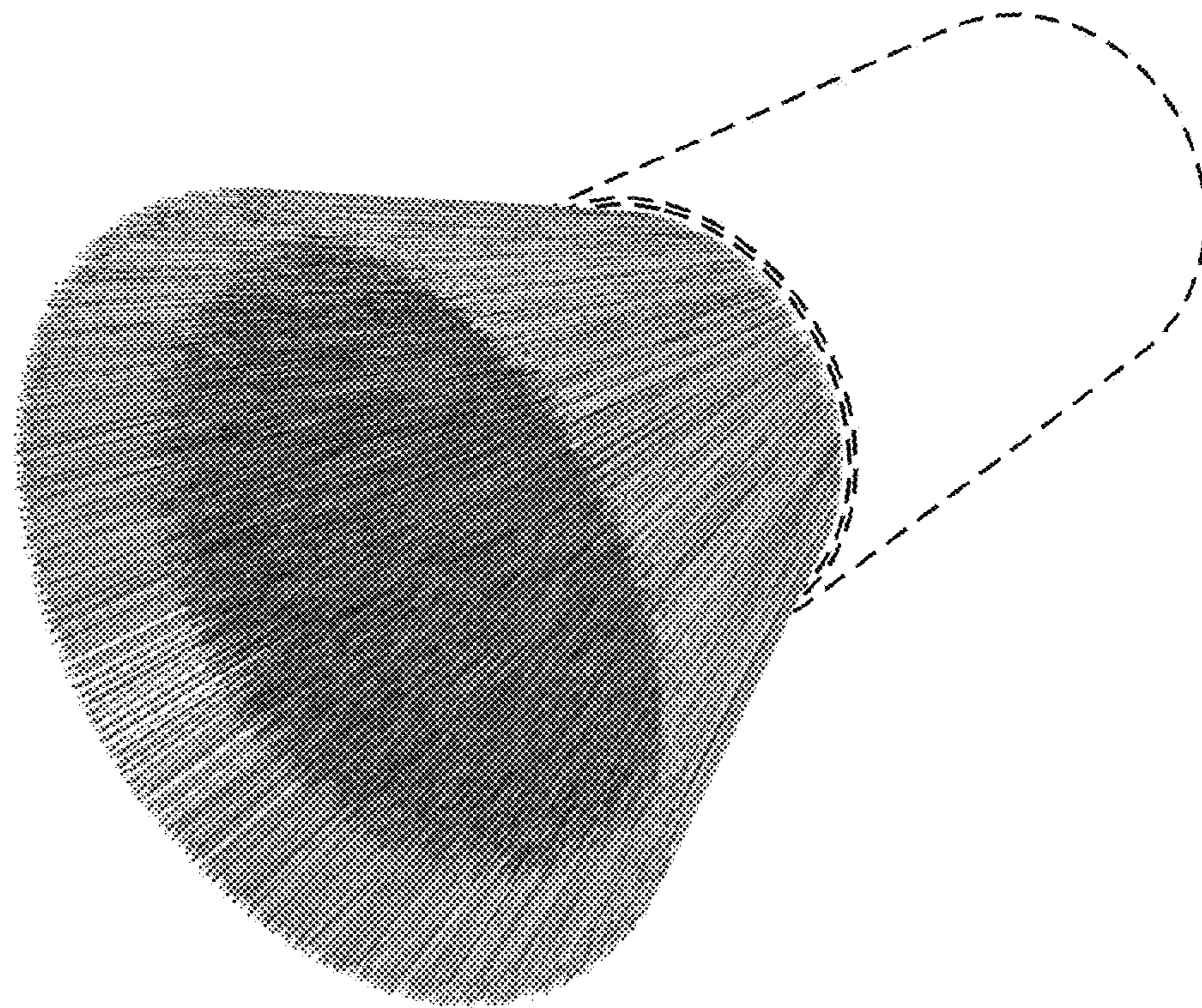


FIG. 1

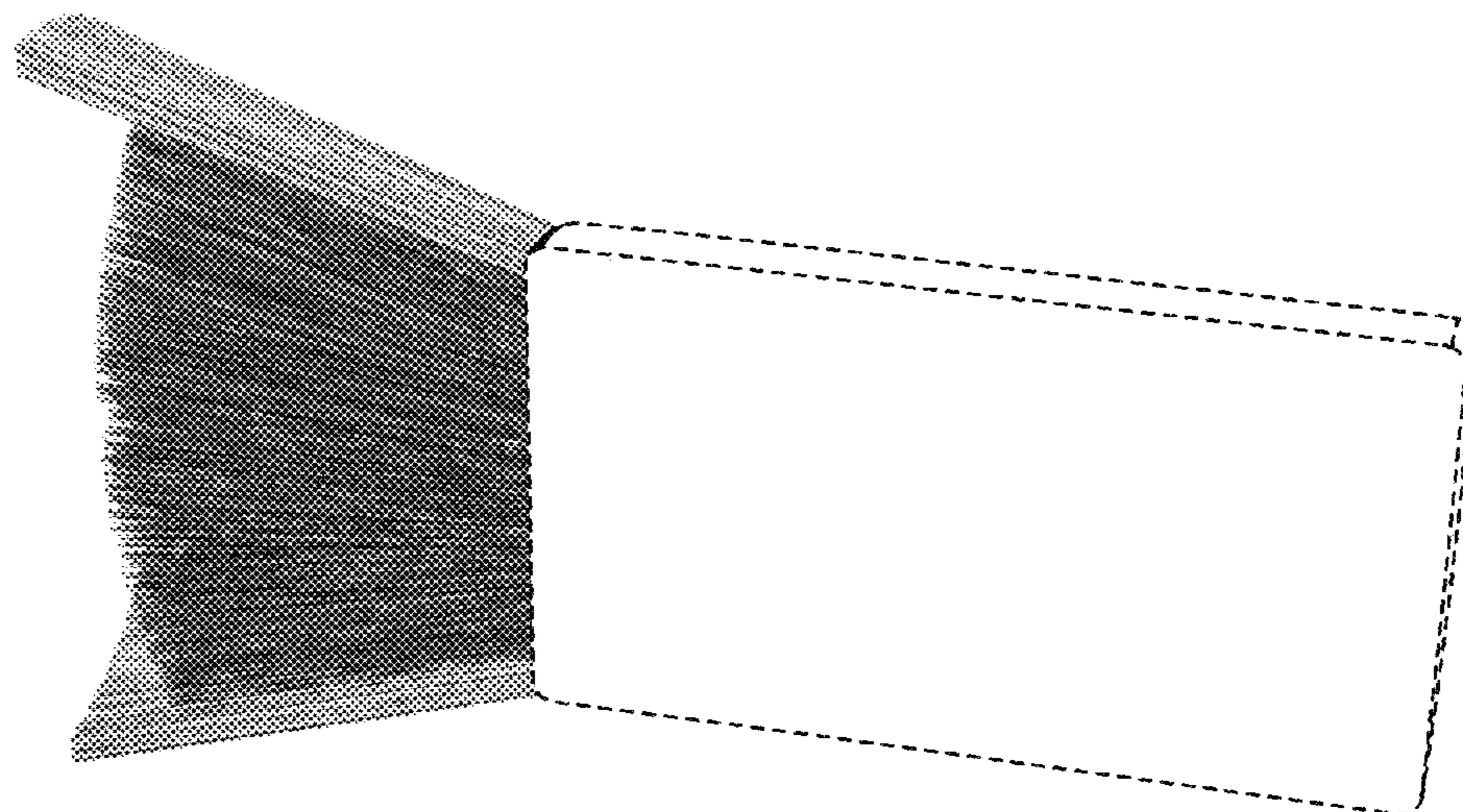


FIG. 2

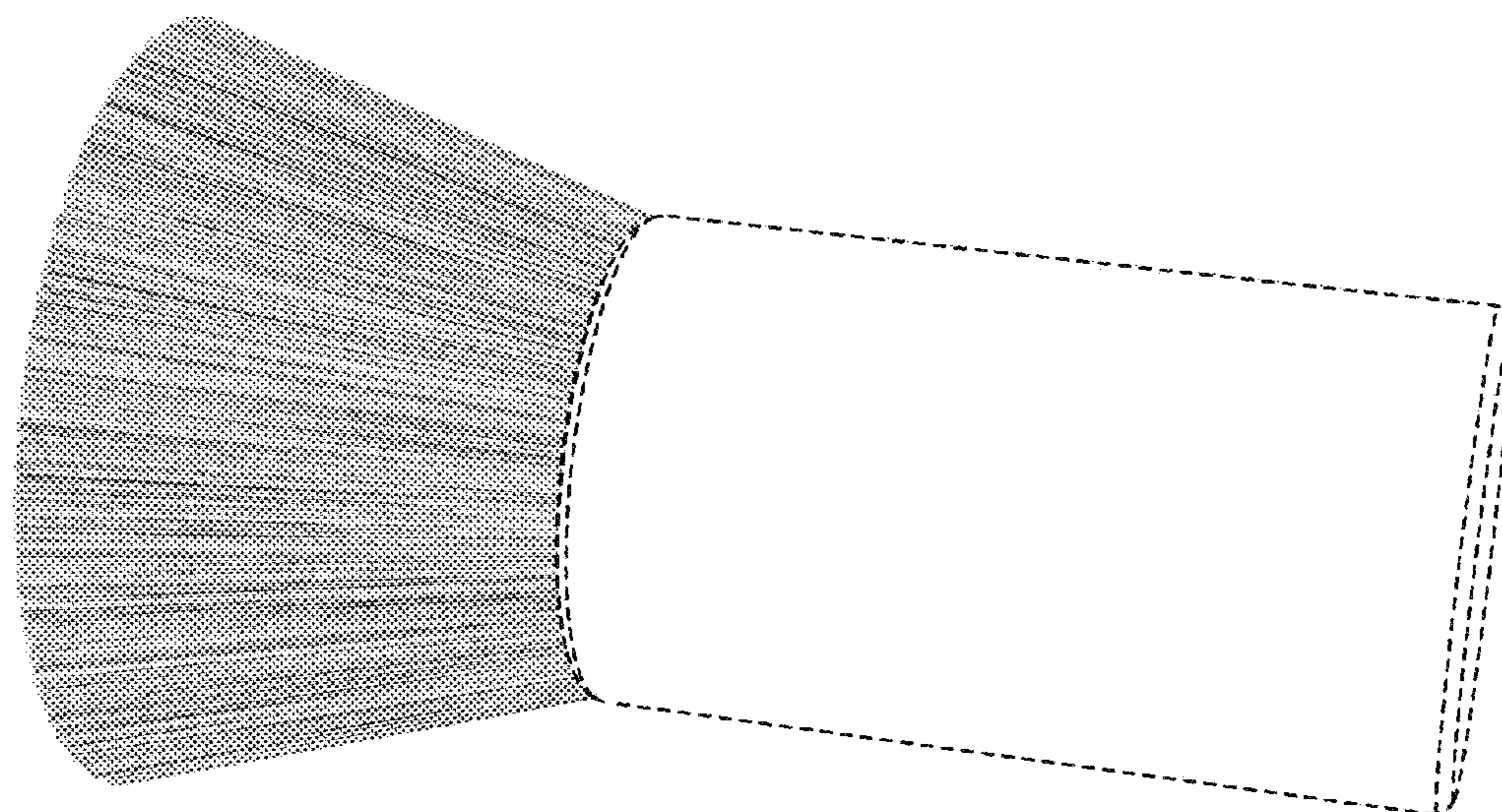


FIG. 3

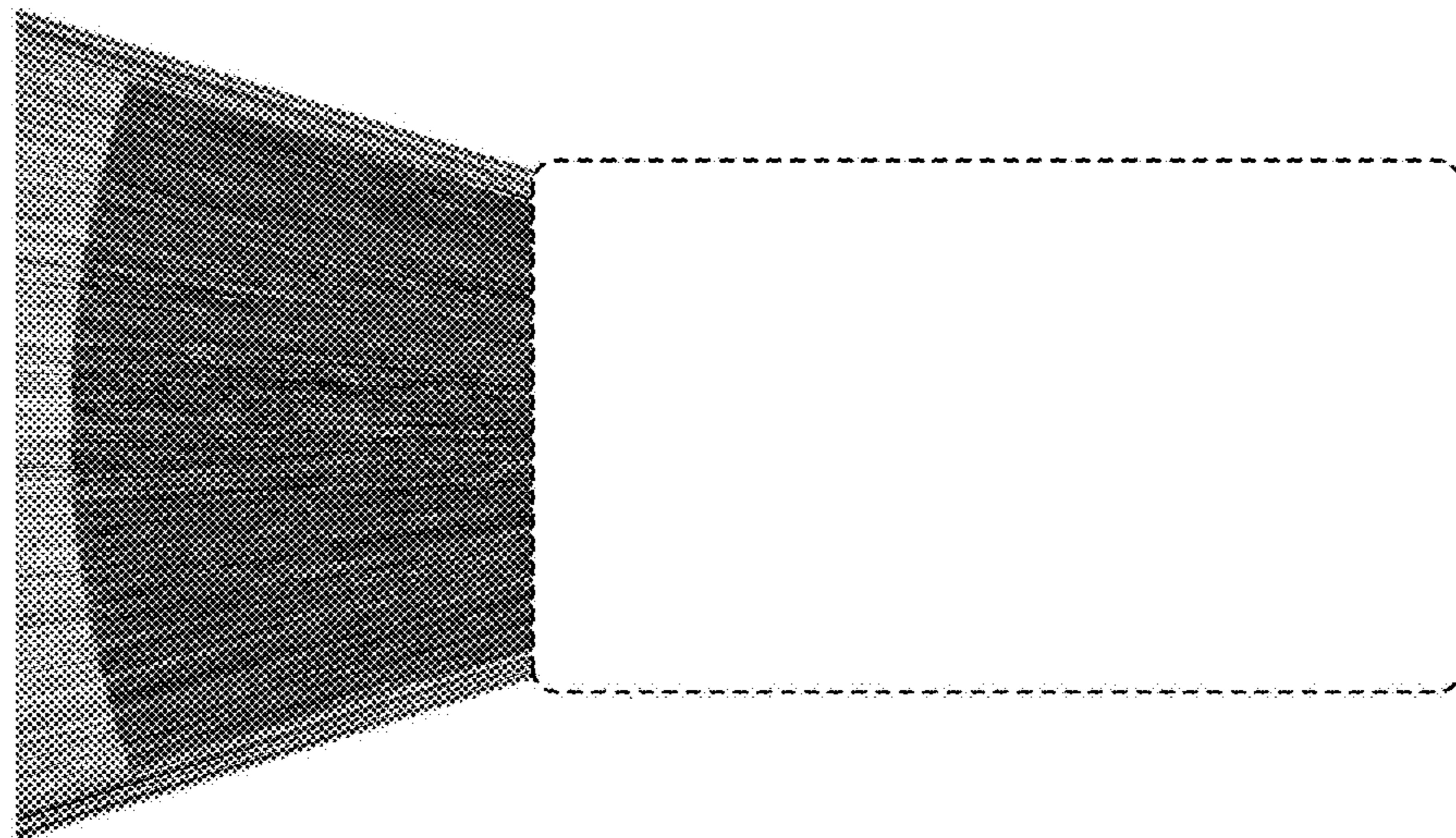


FIG. 4

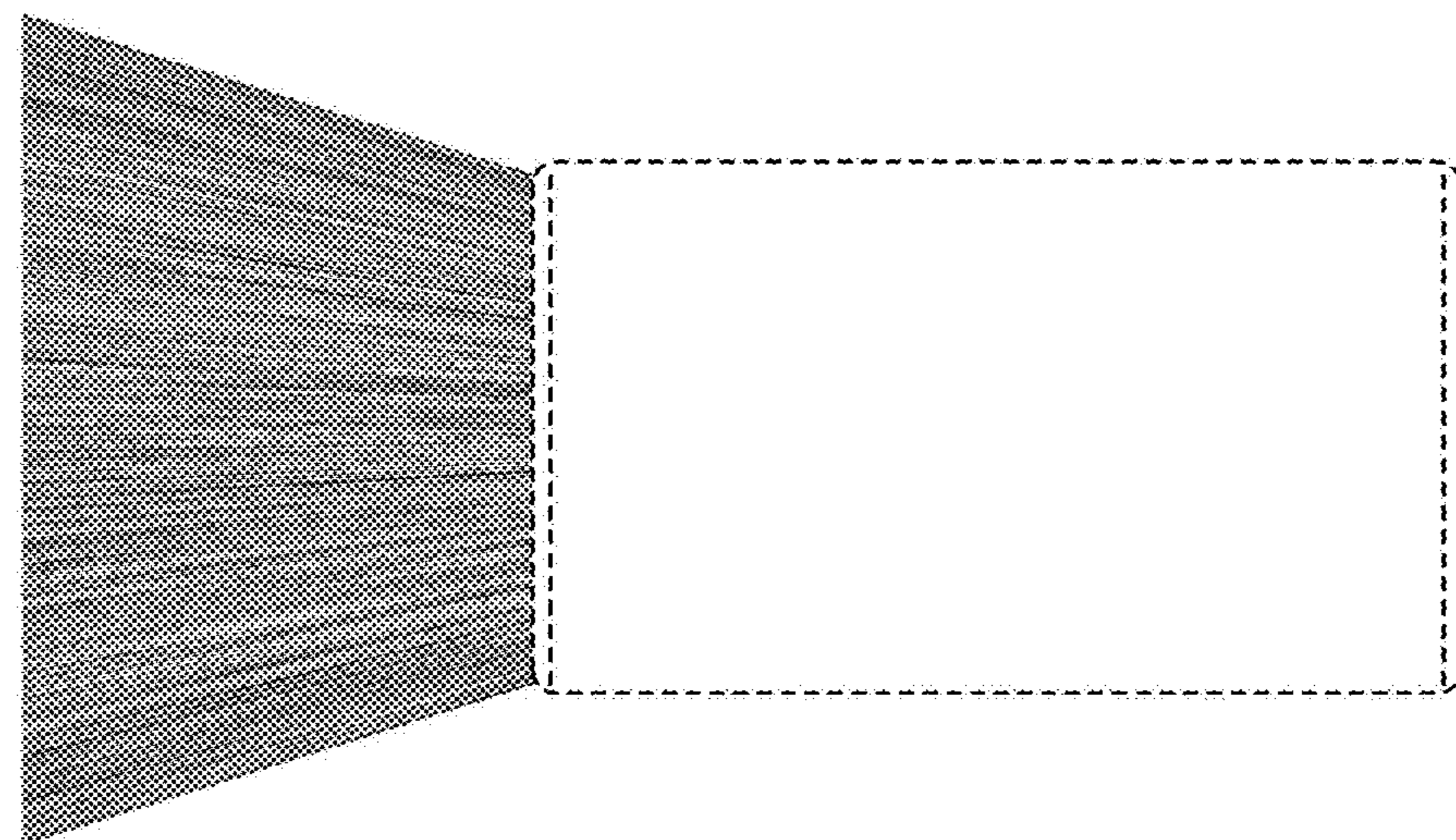


FIG. 5

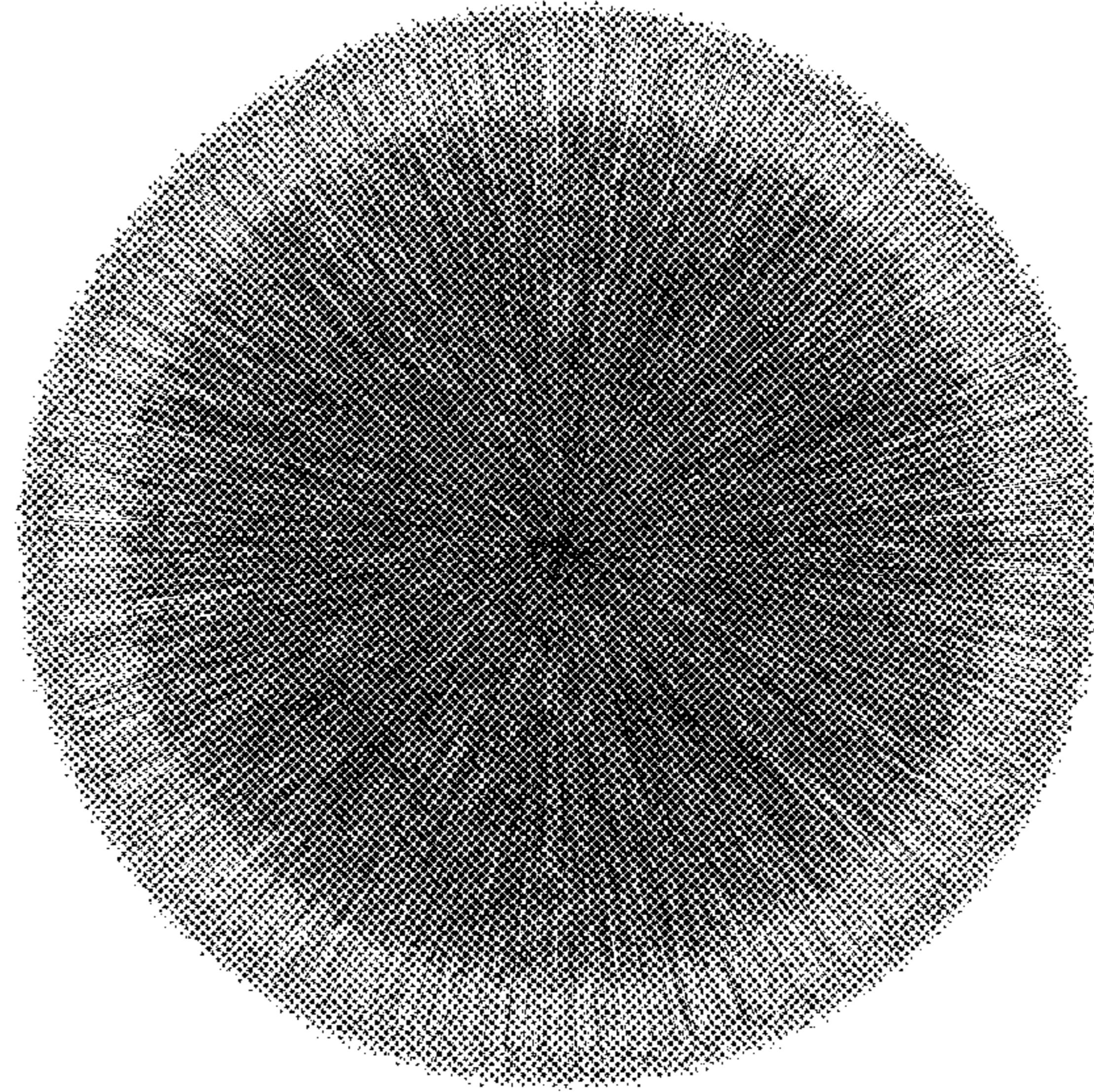


FIG. 6

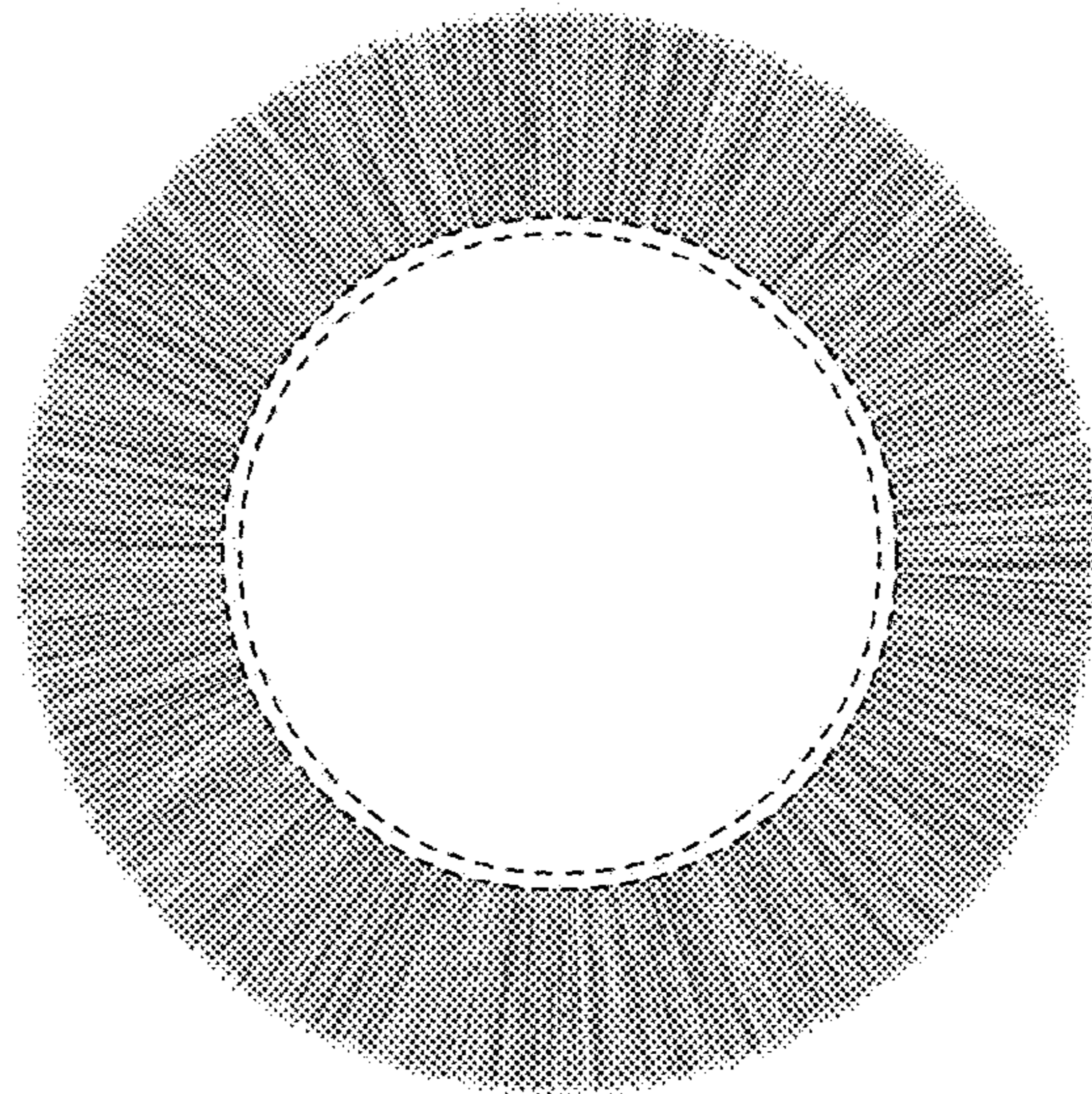


FIG. 7

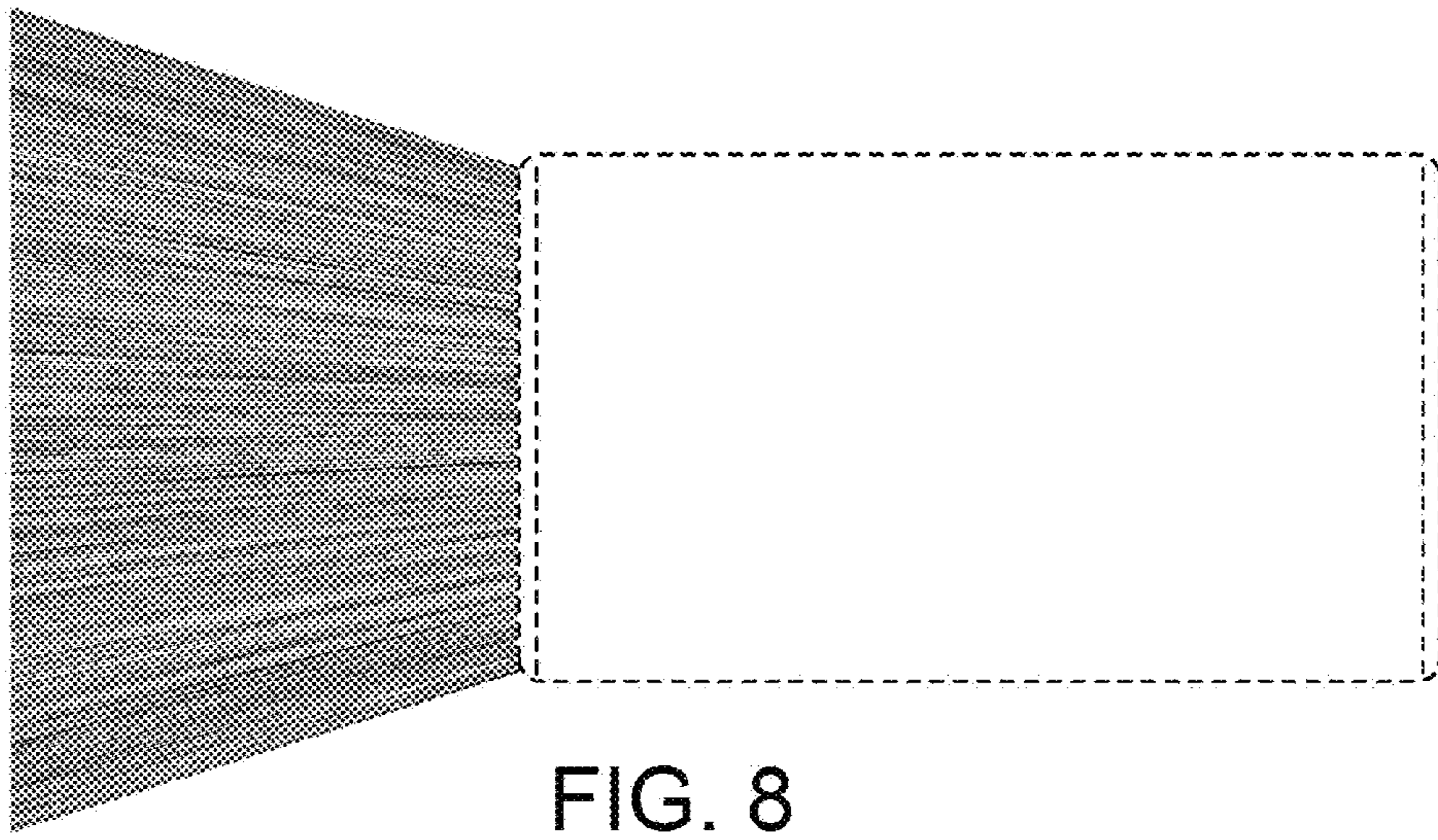


FIG. 8

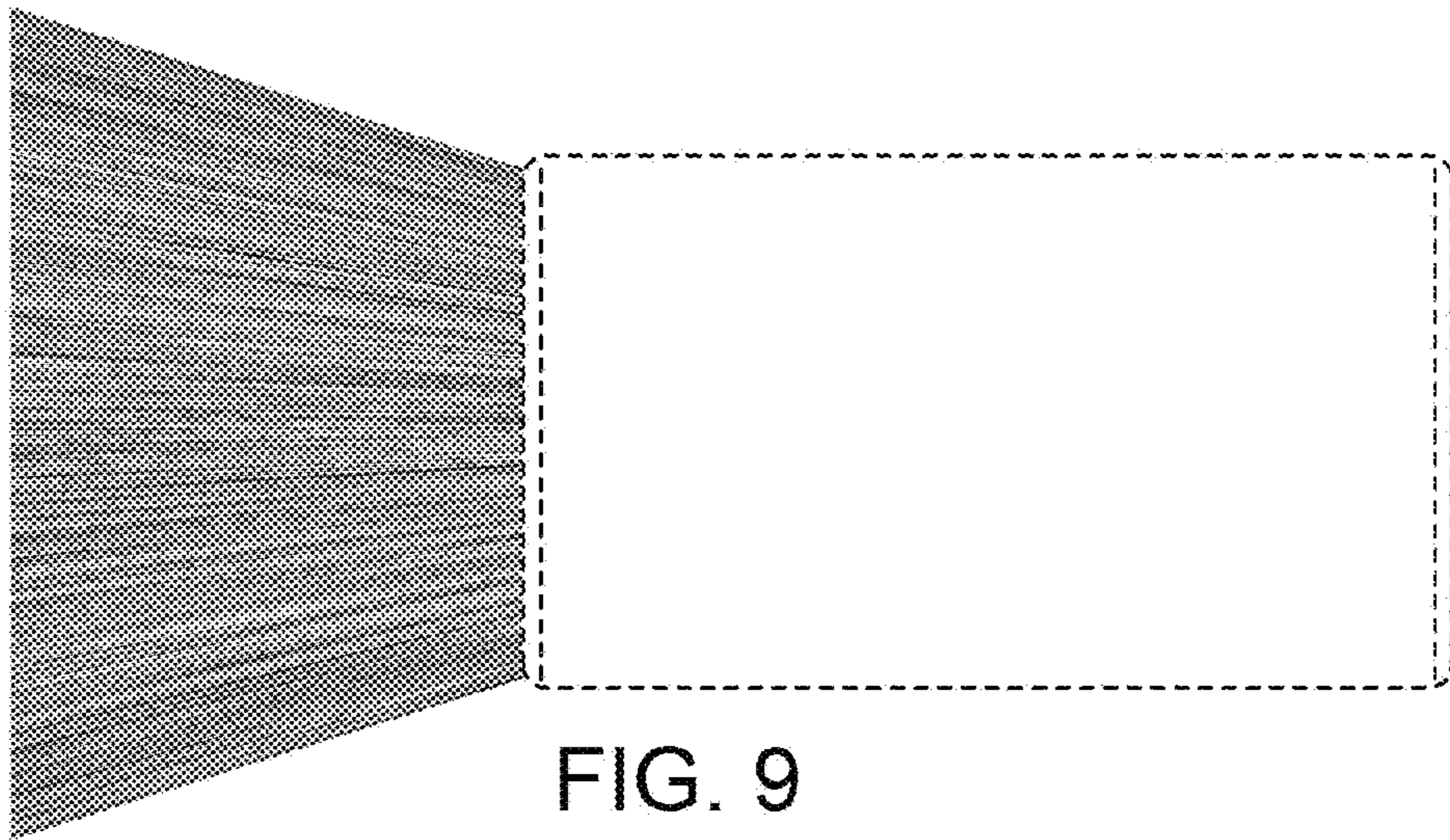


FIG. 9

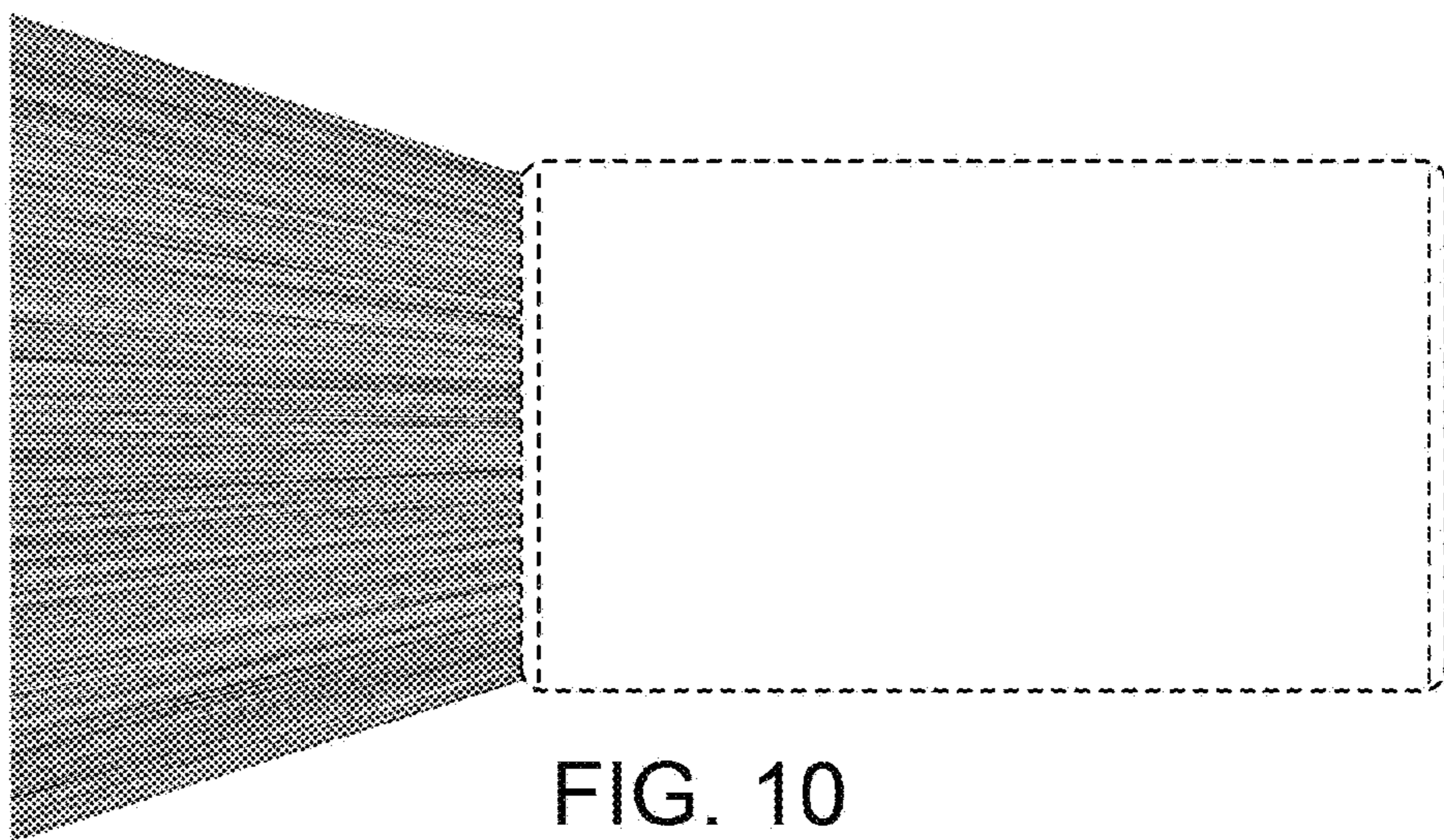


FIG. 10