



US00D770184S

(12) **United States Design Patent**
Gabriele

(10) **Patent No.:** **US D770,184 S**
(45) **Date of Patent:** **** Nov. 1, 2016**

- (54) **TOOTHBRUSH**
- (71) Applicant: **Curaden International AG**, Kriens (CH)
- (72) Inventor: **Ezio Gabriele**, Ulisbach (CH)
- (73) Assignee: **CURADEN AG**, Kriens (CH)
- (**) Term: **14 Years**
- (21) Appl. No.: **29/524,800**
- (22) Filed: **Apr. 23, 2015**
- (51) **LOC (10) Cl.** **04-02**
- (52) **U.S. Cl.**
USPC **D4/104**
- (58) **Field of Classification Search**
USPC D4/104, 101, 105, 106, 108, 109, 110,
D4/111, 112; D8/107; D28/46, 48;
D24/133, 146, 152; 15/143.1, 110
CPC .. A61C 17/00; A61C 17/222; A61C 17/224;
A61C 17/225; A61C 17/349; A61C 17/20;
A61C 17/22; A61C 17/24; A61C 17/26;
A61C 17/32; A61C 17/34; A46B 9/045
See application file for complete search history.

- (56) **References Cited**
U.S. PATENT DOCUMENTS
5,272,784 A * 12/1993 Levin A46B 5/00
15/143.1
6,295,686 B1 * 10/2001 Phillips A46B 3/20
15/143.1
D531,810 S * 11/2006 Moskovich D4/104

- 7,174,596 B2 * 2/2007 Fischer A46B 3/06
15/110
- D646,063 S * 10/2011 Ballmaier D4/104
- 8,448,285 B2 * 5/2013 Kayser A46B 5/0075
15/143.1
- RE45,141 E * 9/2014 Fischer 15/110
- 9,066,580 B2 * 6/2015 Marichi
Rodriguez A46B 9/045
- D750,782 S * 3/2016 Mirci D24/152

* cited by examiner

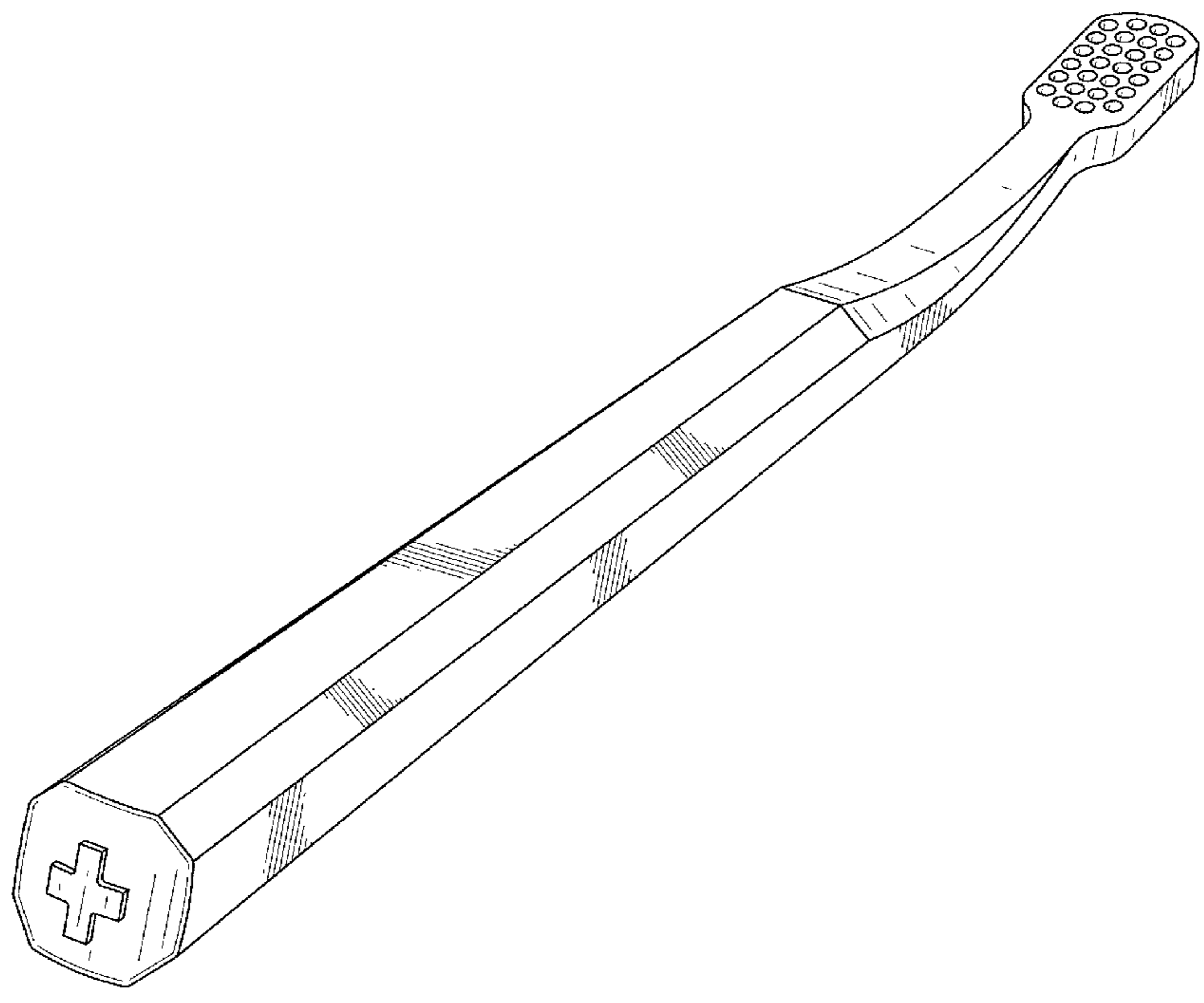
Primary Examiner — Susan Bennett Hattan
Assistant Examiner — Rebecca Tsehaye
(74) *Attorney, Agent, or Firm* — Birch, Stewart, Kolasch & Birch, LLP

(57) **CLAIM**
The ornamental design for a toothbrush, as shown and described.

DESCRIPTION

FIG. 1 is a perspective view of a first embodiment of a toothbrush showing a first embodiment of my new design; FIG. 2 is a side view thereof; FIG. 3 is a front view thereof; FIG. 4 is a rear view thereof; FIG. 5 is a top end view thereof; FIG. 6 is a bottom end view thereof; FIG. 7 is a side view of a second embodiment of a toothbrush according to my new design; FIG. 8 is a front view of the second embodiment; FIG. 9 is a rear view of the second embodiment; FIG. 10 is a top end view of the second embodiment; and, FIG. 11 is a bottom end view of the second embodiment.

1 Claim, 11 Drawing Sheets



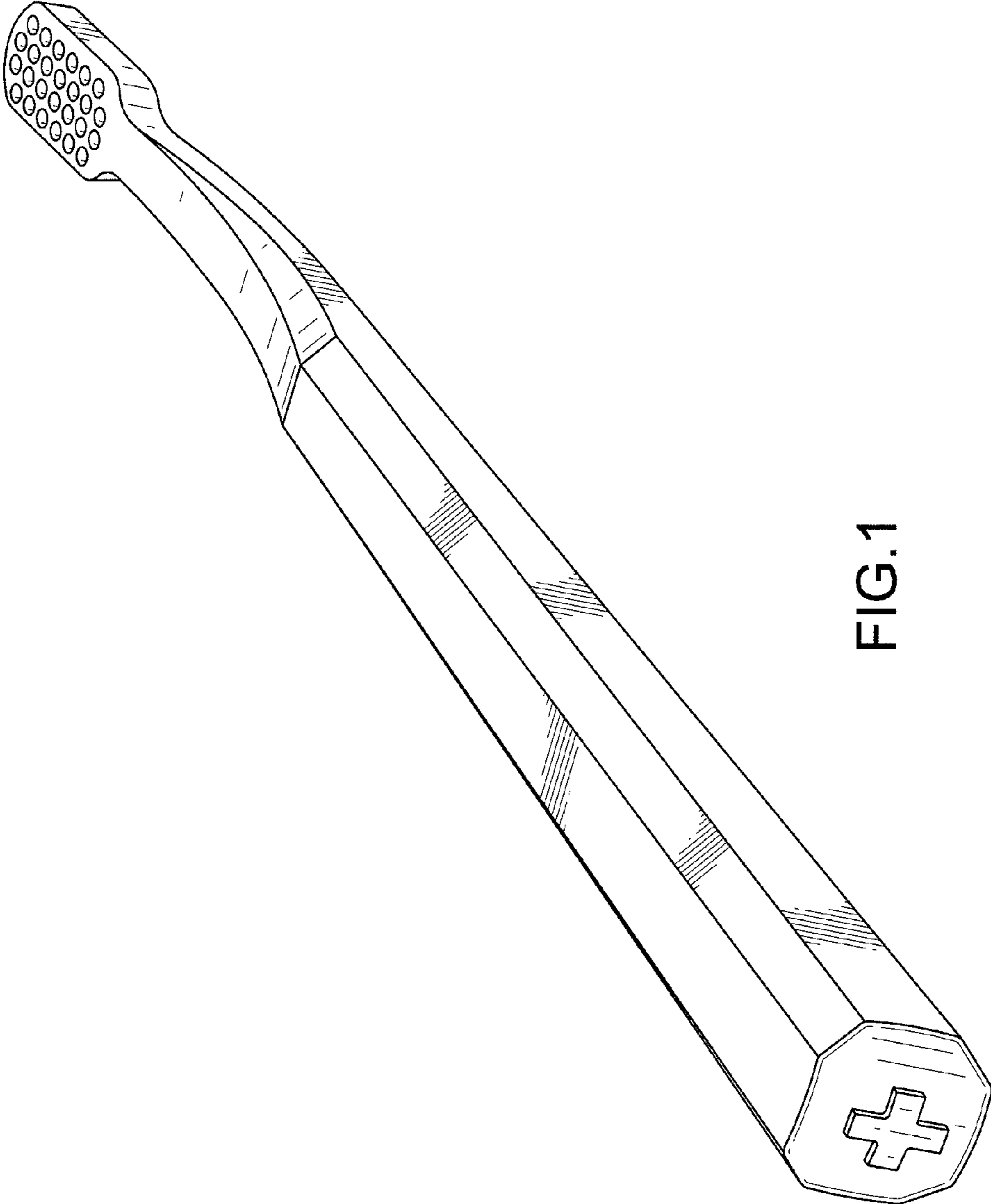


FIG.1

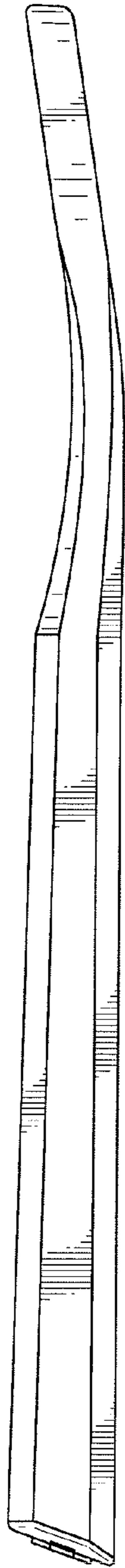


FIG.2

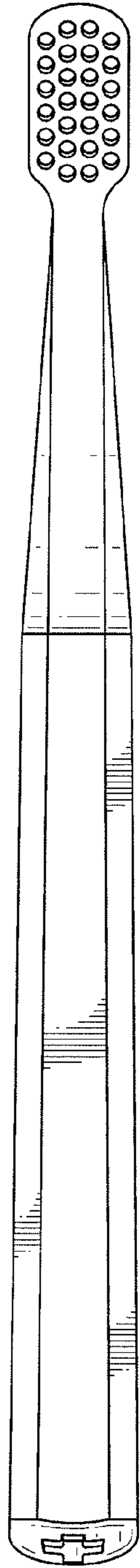


FIG. 3

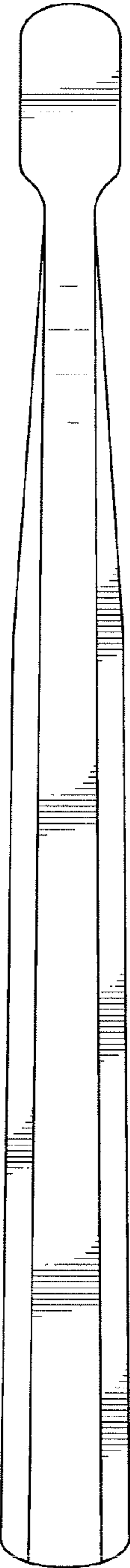


FIG.4

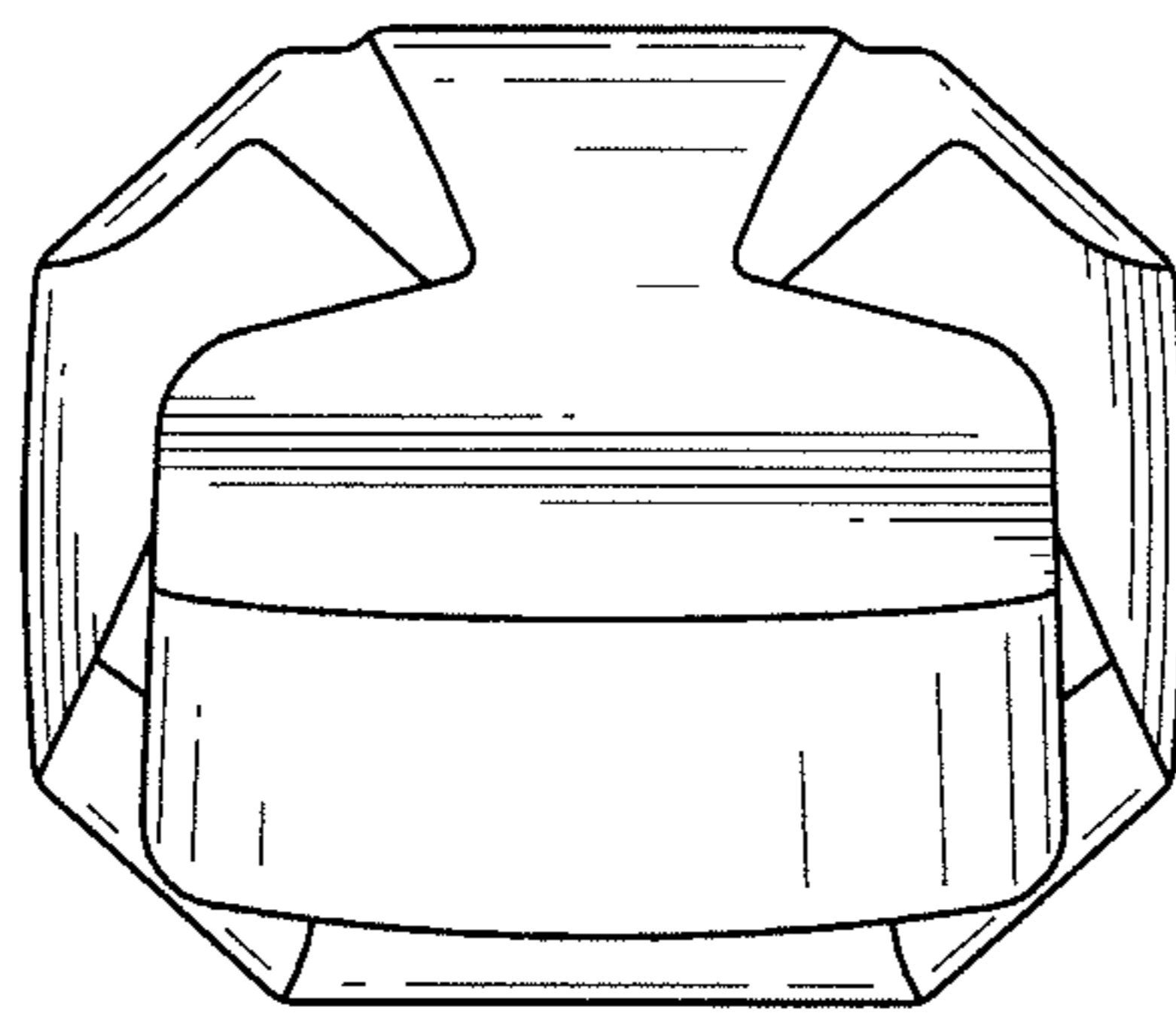


FIG.5

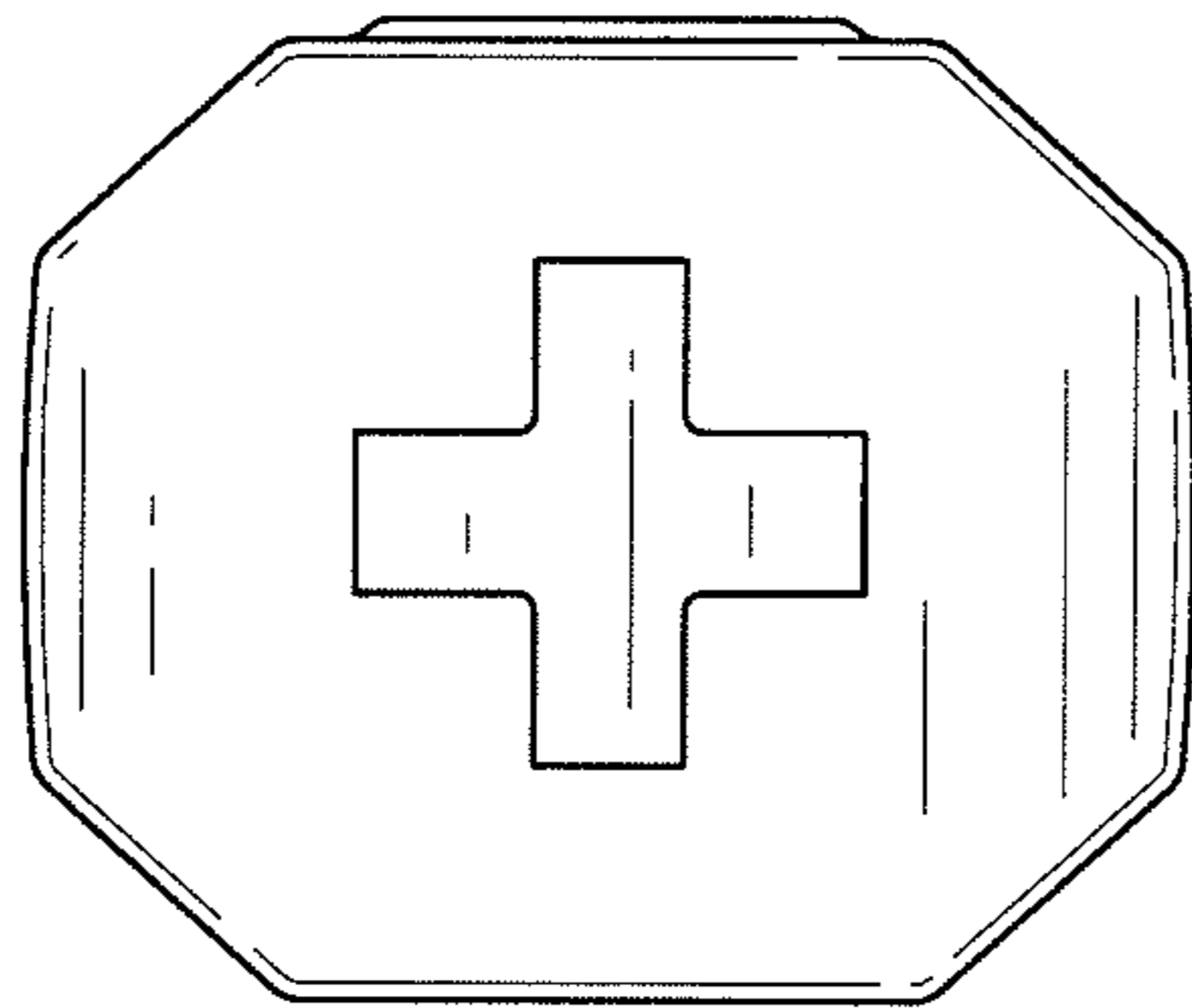


FIG.6

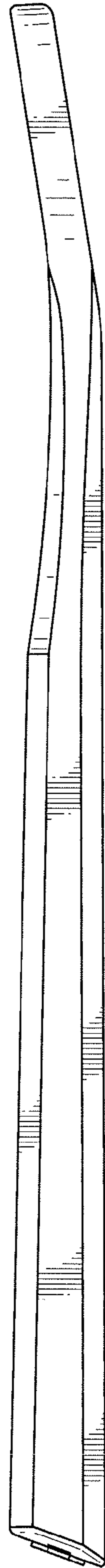


FIG.7

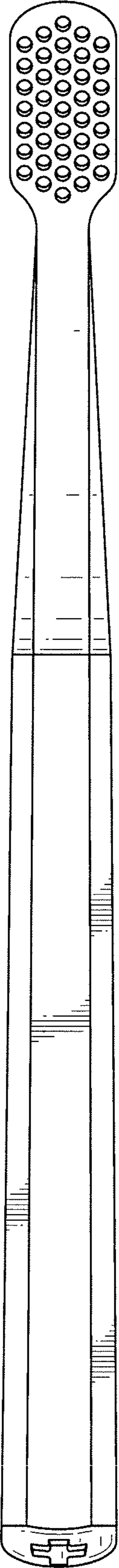


FIG. 8

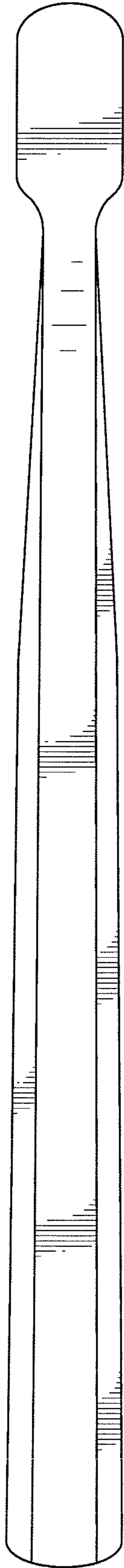


FIG. 9

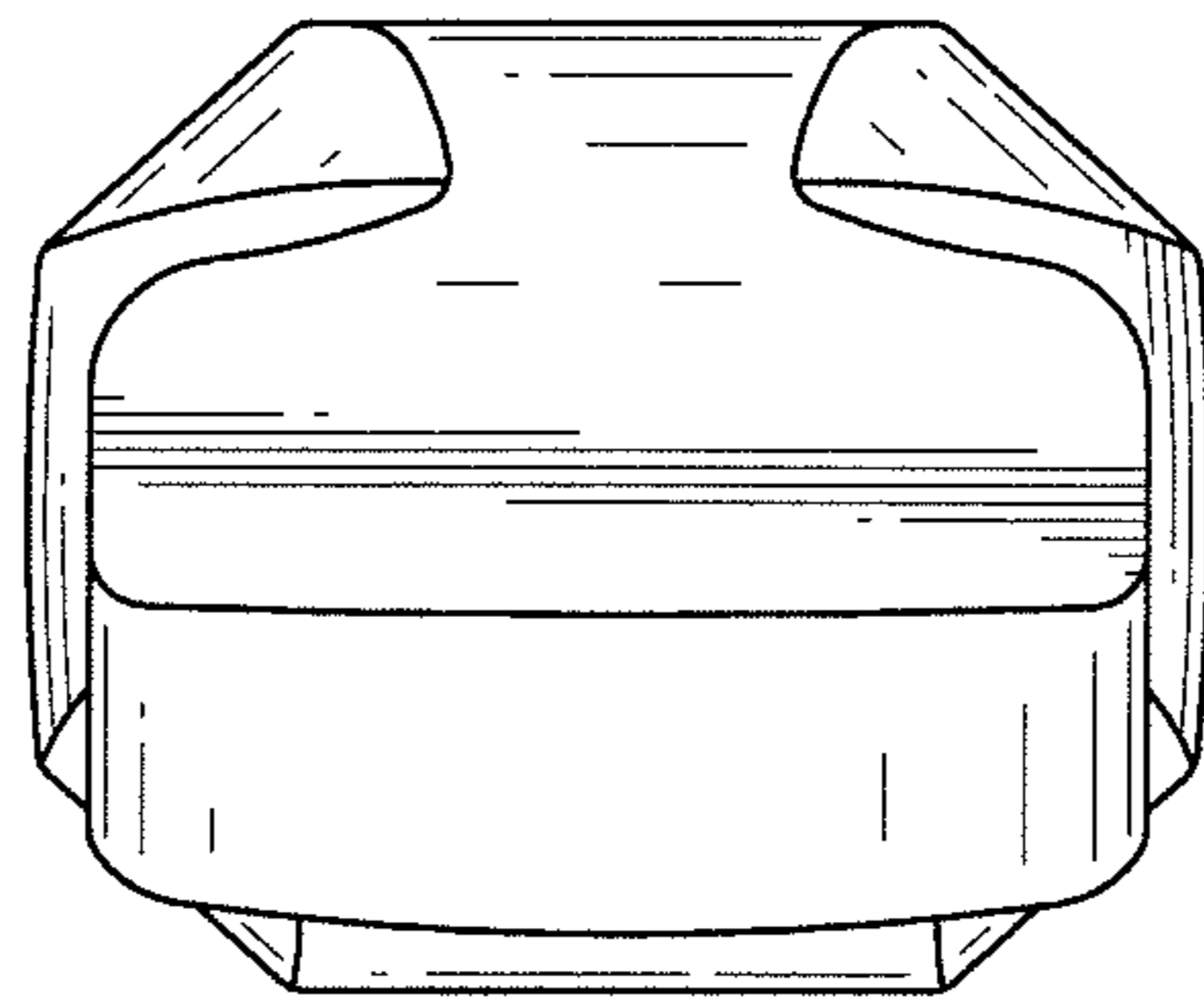


FIG.10

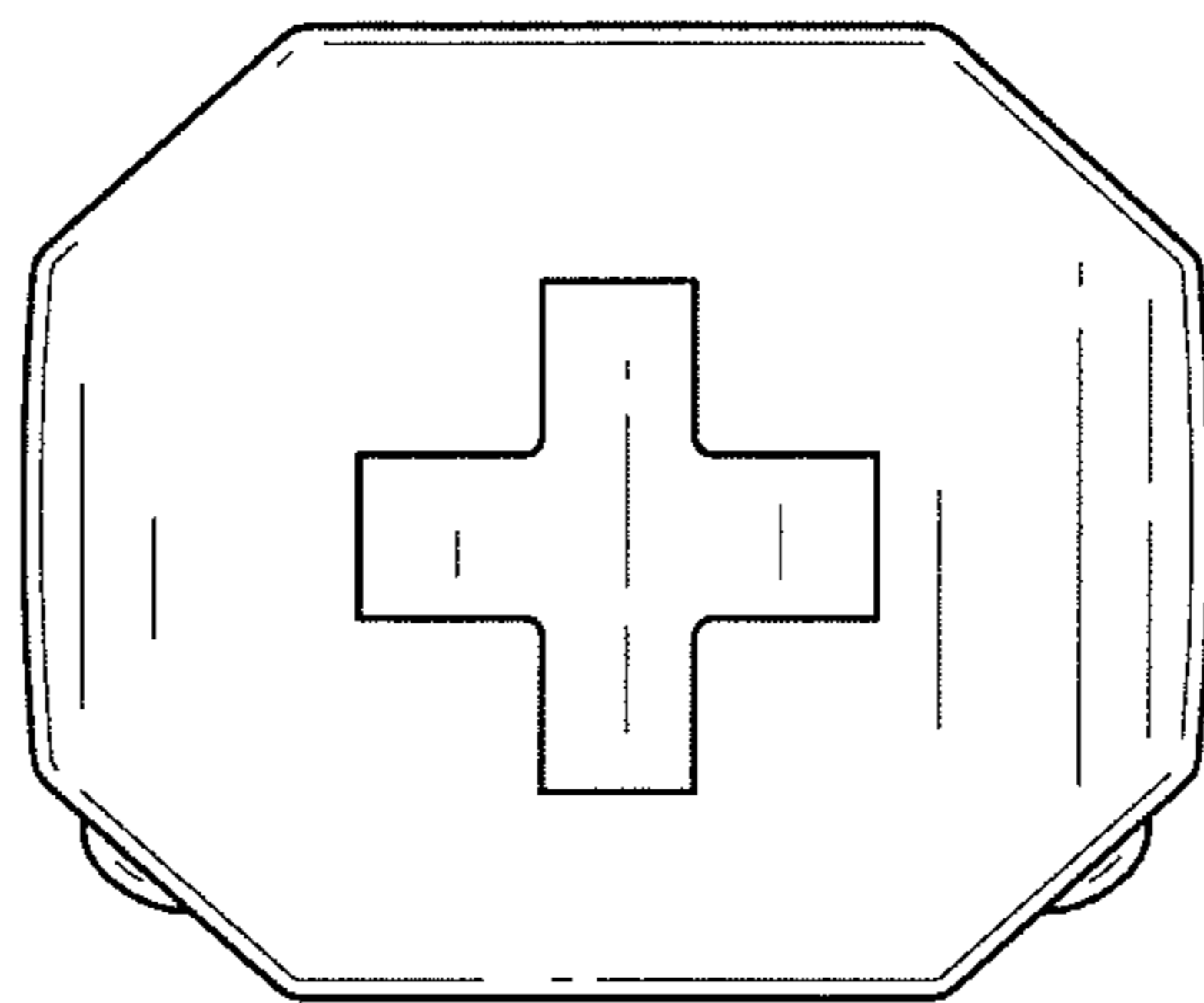


FIG.11