



US00D770182S

(12) **United States Design Patent** (10) **Patent No.:** **US D770,182 S**  
**Hunter** (45) **Date of Patent:** **\*\* Nov. 1, 2016**

(54) **FINGER COT**  
(71) Applicant: **Cyleen A. Hunter**, St. Albans, NY (US)  
(72) Inventor: **Cyleen A. Hunter**, St. Albans, NY (US)  
(\*\*) Term: **14 Years**  
(21) Appl. No.: **29/442,995**  
(22) Filed: **Jul. 1, 2013**  
(51) **LOC (10) Cl.** ..... **04-02**  
(52) **U.S. Cl.**  
USPC ..... **D4/103**  
(58) **Field of Classification Search**  
USPC ..... D4/103; D3/29; D29/113, 114;  
D30/158; 2/21; 15/104.94, 227; 401/6,  
401/7; 606/161; 294/25  
CPC ..... A46B 5/04; A46B 2200/10; A46B  
2200/1026; A46B 2200/1086; A47L 13/18;  
A47L 13/19; A61B 5/6826; A61B 17/24;  
A61B 17/244; A61F 13/10; A61F 13/104;  
A61F 13/105  
See application file for complete search history.

D716,965 S \* 11/2014 Fruscella ..... D24/224  
D730,735 S \* 6/2015 Sommer ..... D9/500  
D751,921 S \* 3/2016 Lam ..... D9/504  
2015/0090732 A1\* 4/2015 Lam ..... A23G 3/563  
221/1

**FOREIGN PATENT DOCUMENTS**

CN 201295374 Y \* 8/2009  
CN 101756488 A \* 6/2010  
CN 102973409 A \* 3/2013

(Continued)

**OTHER PUBLICATIONS**

Bennington Tobacconist Dunhill Cigar Tube found online [Apr. 15, 2015] [https://bocabenningtons.com/itemdetails.php?item\\_id=1426](https://bocabenningtons.com/itemdetails.php?item_id=1426).\*

*Primary Examiner* — Robert M Spear  
*Assistant Examiner* — John Voytek  
(74) *Attorney, Agent, or Firm* — Paul R. Martin

(57) **CLAIM**

The ornamental design for a finger cot, as shown and described.

(56) **References Cited**

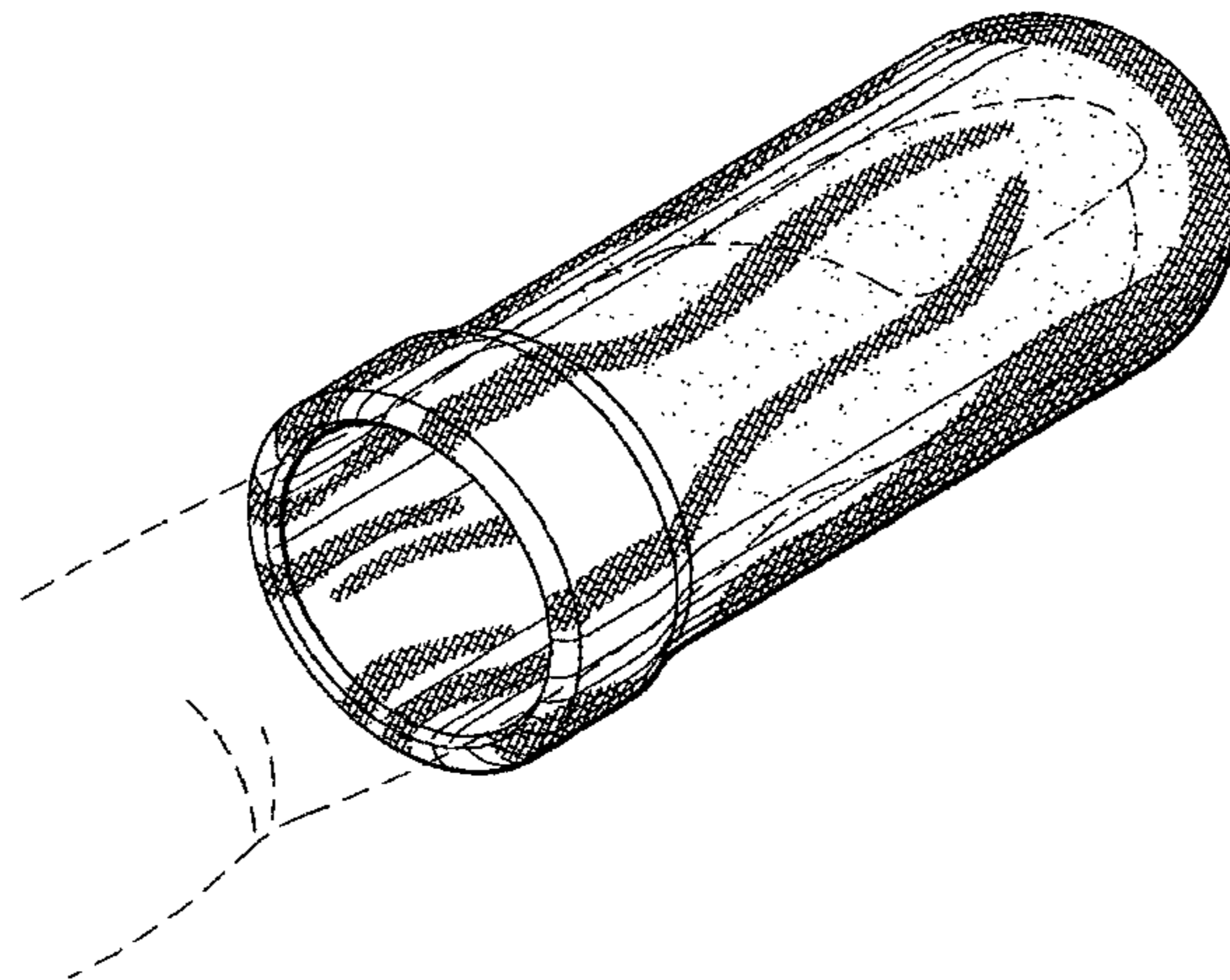
**U.S. PATENT DOCUMENTS**

431,132 A \* 7/1890 Wharton ..... B01L 3/5082  
215/382  
911,838 A \* 2/1909 Napier ..... 294/25  
2,389,831 A \* 11/1945 Welsh ..... 2/21  
2,564,183 A \* 8/1951 Wilson ..... 604/304  
3,018,484 A \* 1/1962 Koehn ..... 2/21  
D292,735 S \* 11/1987 Lovborg ..... D24/224  
4,768,653 A \* 9/1988 Desai ..... A01N 59/14  
206/524.8  
D318,728 S \* 7/1991 Braune ..... D24/224  
5,337,744 A \* 8/1994 Branigan ..... 600/407  
D364,007 S \* 11/1995 McLaren ..... D29/113  
5,769,267 A \* 6/1998 Duynslager ..... A61J 3/071  
220/4.21  
D426,311 S \* 6/2000 Horowitz ..... D24/215  
D542,540 S \* 5/2007 Hollaren et al. .... D4/103  
D633,392 S \* 3/2011 Northrop ..... D9/500  
8,522,391 B1 \* 9/2013 Safieh ..... 15/227  
D698,651 S \* 2/2014 Sommer ..... D9/453

**DESCRIPTION**

FIG. 1 is a perspective view of the finger cot of my new design.  
FIG. 2 is a front elevation view thereof, the rear, top, and bottom views being identical thereto.  
FIG. 3 is an elevational view of the left end thereof, with reference to FIG. 2; and,  
FIG. 4 is an elevational view of the right end thereof, with reference to FIG. 2.  
The Intermittently shown cross-hatching represents a conventional fabric and is understood to continue throughout the surfaces indicated.  
The broken line element in FIG. 1, depicting a finger inserted in the cot, is an environmental element and is not a part of my new design.

**1 Claim, 2 Drawing Sheets**



(56)

**References Cited**

FOREIGN PATENT DOCUMENTS

DE

202012011814 U1 \* 3/2013

GB

2099305 A \* 12/1982

JP

03183597 A \* 8/1991

JP

2003061748 A \* 3/2003

\* cited by examiner

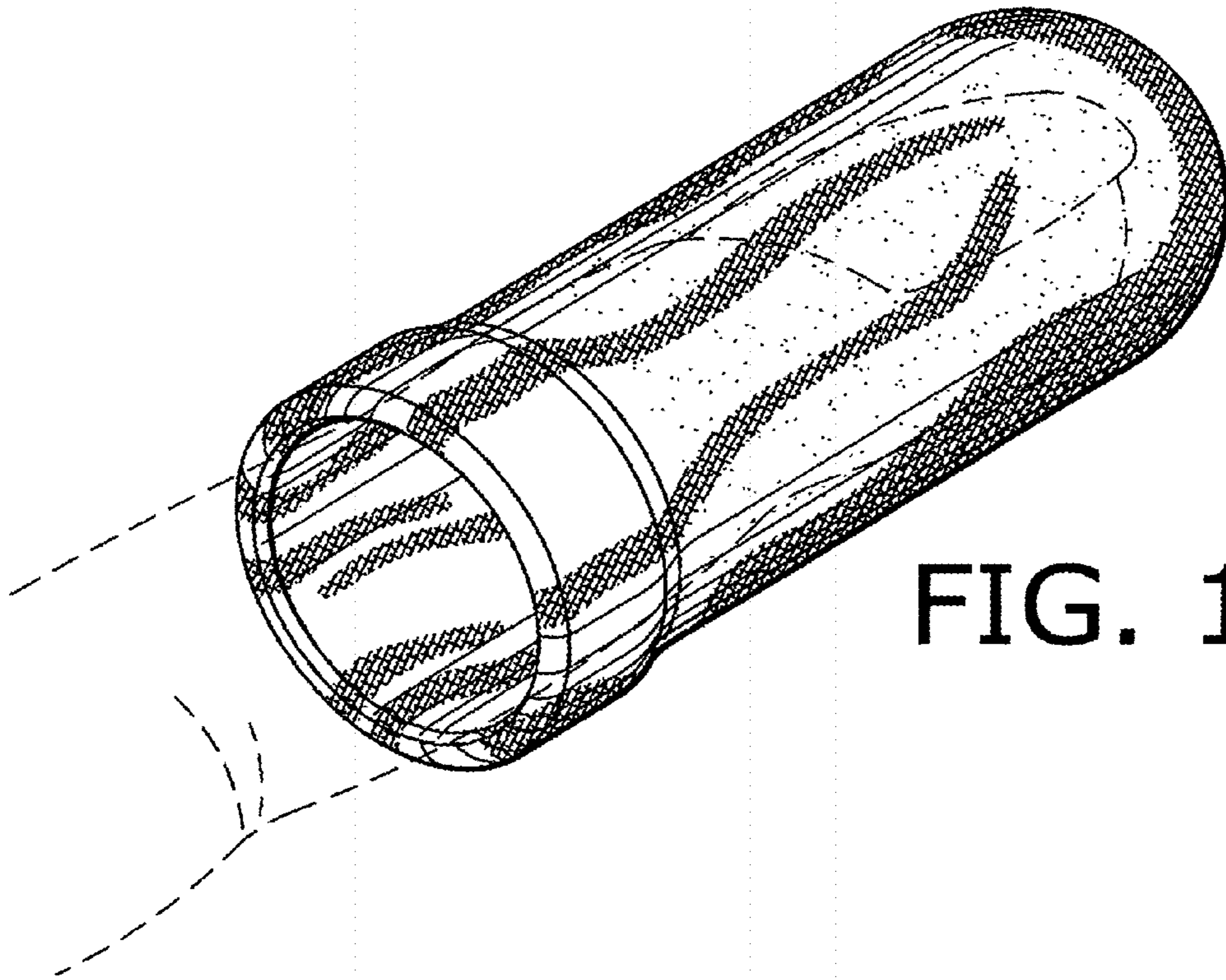


FIG. 1

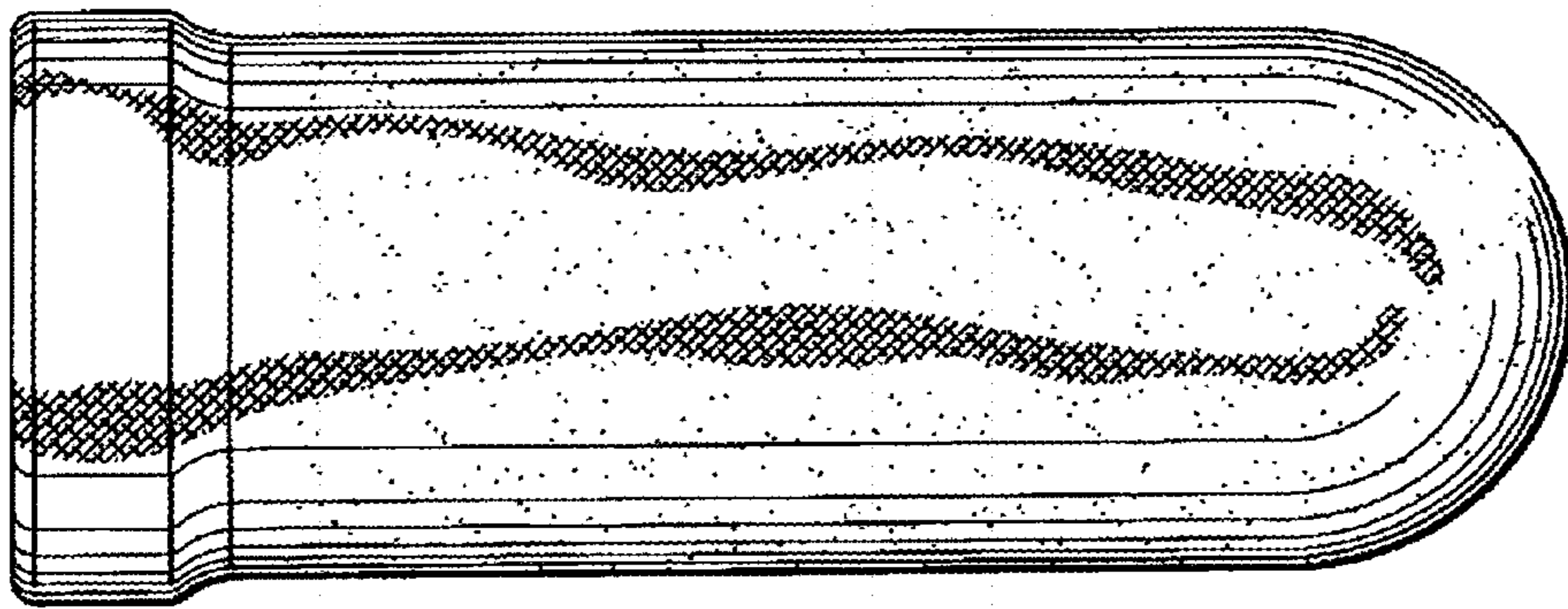


FIG. 2



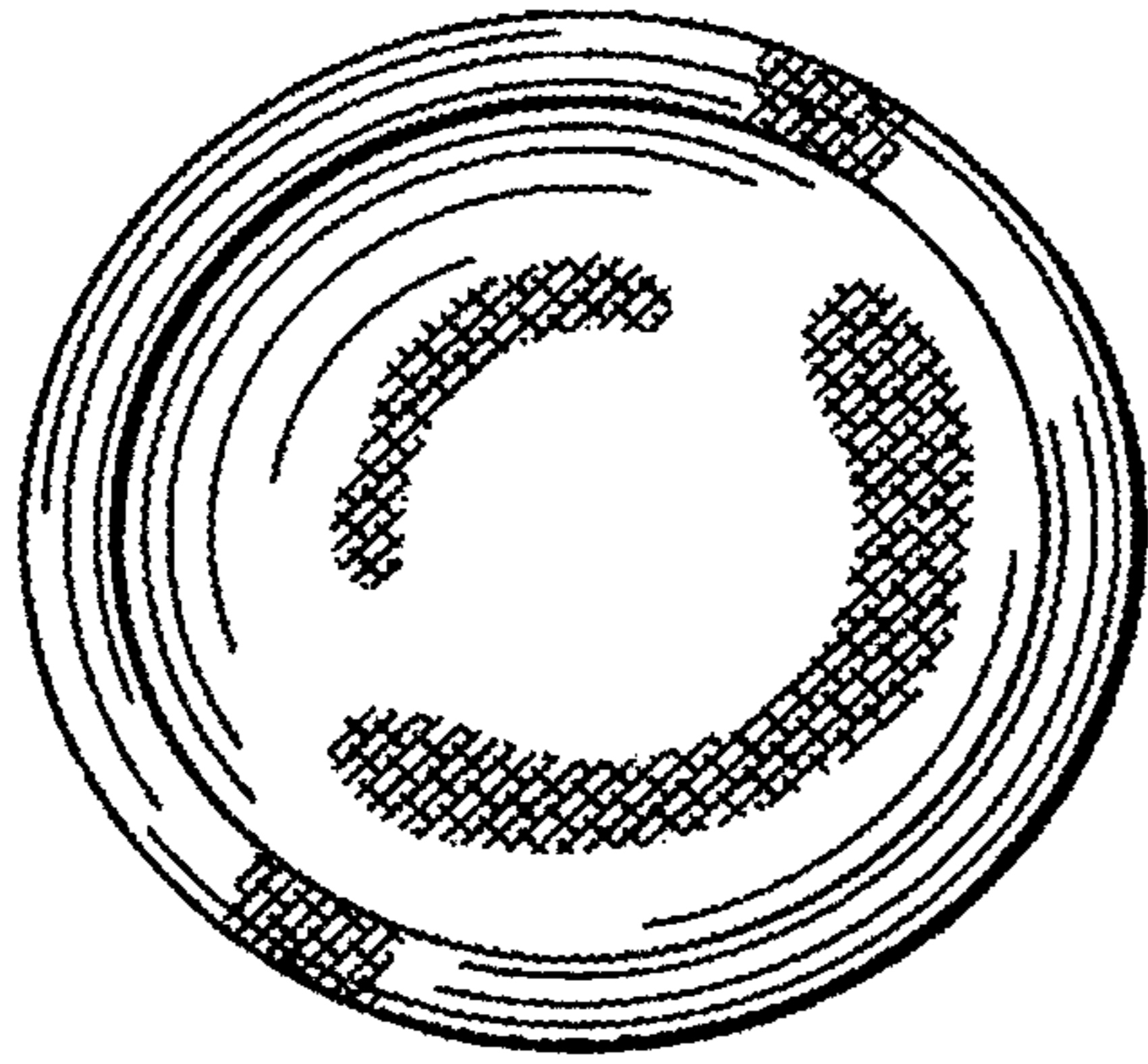


FIG. 3

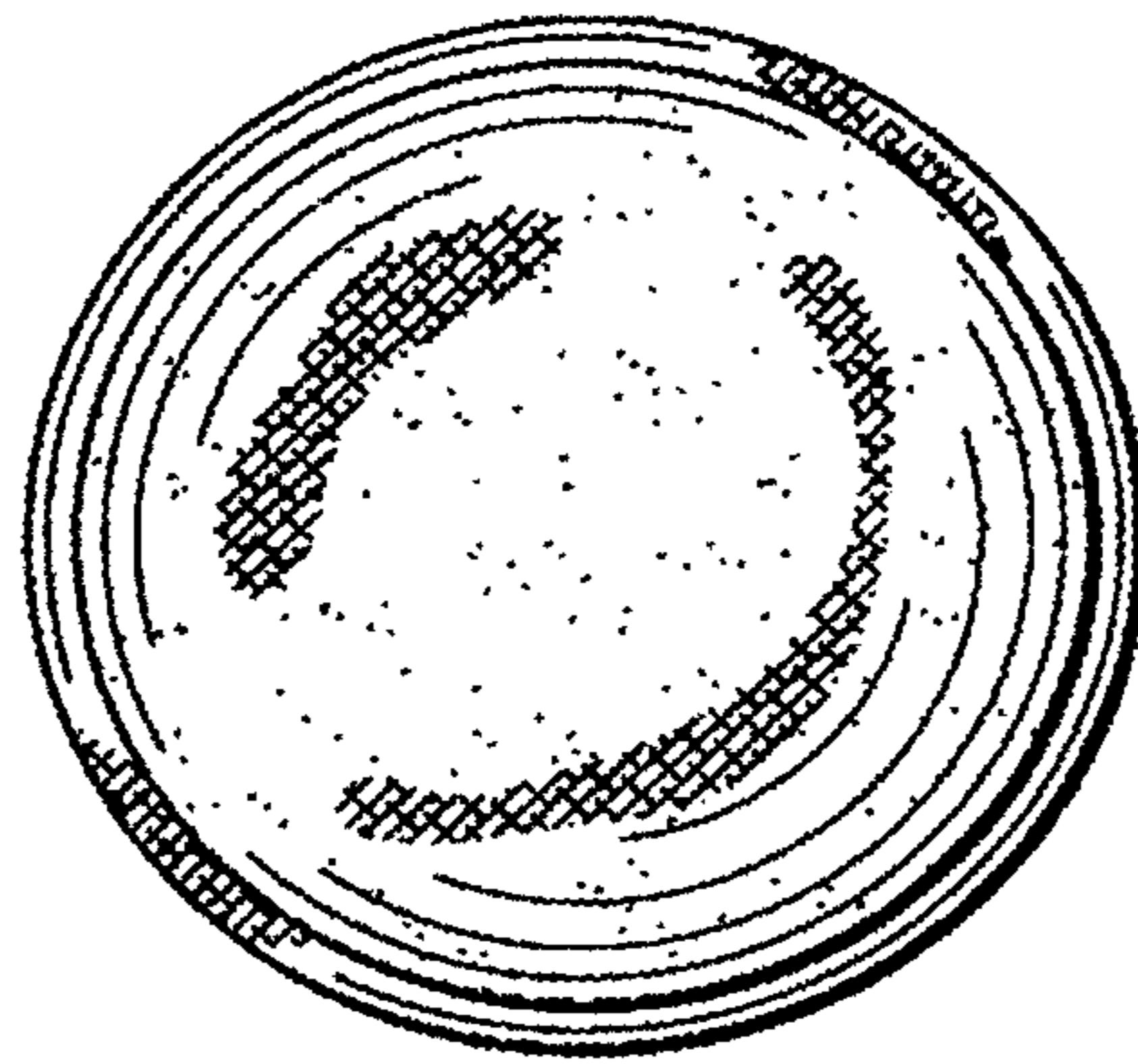


FIG. 4