



US00D770179S

(12) **United States Design Patent** (10) **Patent No.:** **US D770,179 S**
Menirom (45) **Date of Patent:** **** Nov. 1, 2016**

(54) TOOL BOX	2010/0000893 A1* 1/2010 Twig B25H 3/023 206/373
(71) Applicant: The Stanley Works Israel Ltd. , Rosh Ha'Ayin (IL)	2011/0226003 A1* 9/2011 Chaney A45C 5/065 62/457.7
(72) Inventor: Michael Menirom , Raanana (IL)	2012/0292213 A1* 11/2012 Brunner B25H 3/028 206/349
(73) Assignee: The Stanley Works Israel Ltd. , Rosh Ha'Ayin (IL)	2014/0102928 A1* 4/2014 Sabbag B25H 3/027 206/372
(**) Term: 14 Years	2014/0197059 A1* 7/2014 Evans B25H 3/02 206/349
	2014/0265197 A1* 9/2014 Russell B25H 3/02 280/79.3

(21) Appl. No.: **29/516,067**

(22) Filed: **Jan. 29, 2015**

(30) **Foreign Application Priority Data**

Aug. 1, 2014 (EP) 001417943

(51) **LOC (10) Cl.** **03-01**

(52) **U.S. Cl.**
USPC **D3/279; D3/282; D3/294; D3/905**

(58) **Field of Classification Search**
USPC D3/272, 273, 276, 279, 281, 282, 283,
D3/284, 294, 295, 296, 302, 905
CPC B25H 3/02-3/028; B25H 3/00; B25H
3/003; B25H 3/006
See application file for complete search history.

(56) **References Cited**

U.S. PATENT DOCUMENTS

D441,954 S *	5/2001	Parker	D3/273
D462,519 S *	9/2002	Gaydos	D3/276
D467,426 S *	12/2002	Hardigg	D3/276
D609,911 S *	2/2010	Twig	D3/279
D629,607 S *	12/2010	Sabbag	D3/282
D649,783 S *	12/2011	Brunner	D3/279
D663,952 S *	7/2012	Crevling, Jr.	D3/274
D709,287 S *	7/2014	Shitrit	D3/279
2002/0117414 A1 *	8/2002	Kipper	B25H 3/023 206/373

OTHER PUBLICATIONS

Amazon.com, "Stanley 1-94-850 FatMax ProMobile Job Chest", Reviewed as early as Sep. 27, 2011. Accessed Dec. 29, 2015. (<http://www.amazon.co.uk/St Stanley-1-94-850-FatMax-ProMobile-JobChest/dp/B001SY2QTA>).*

* cited by examiner

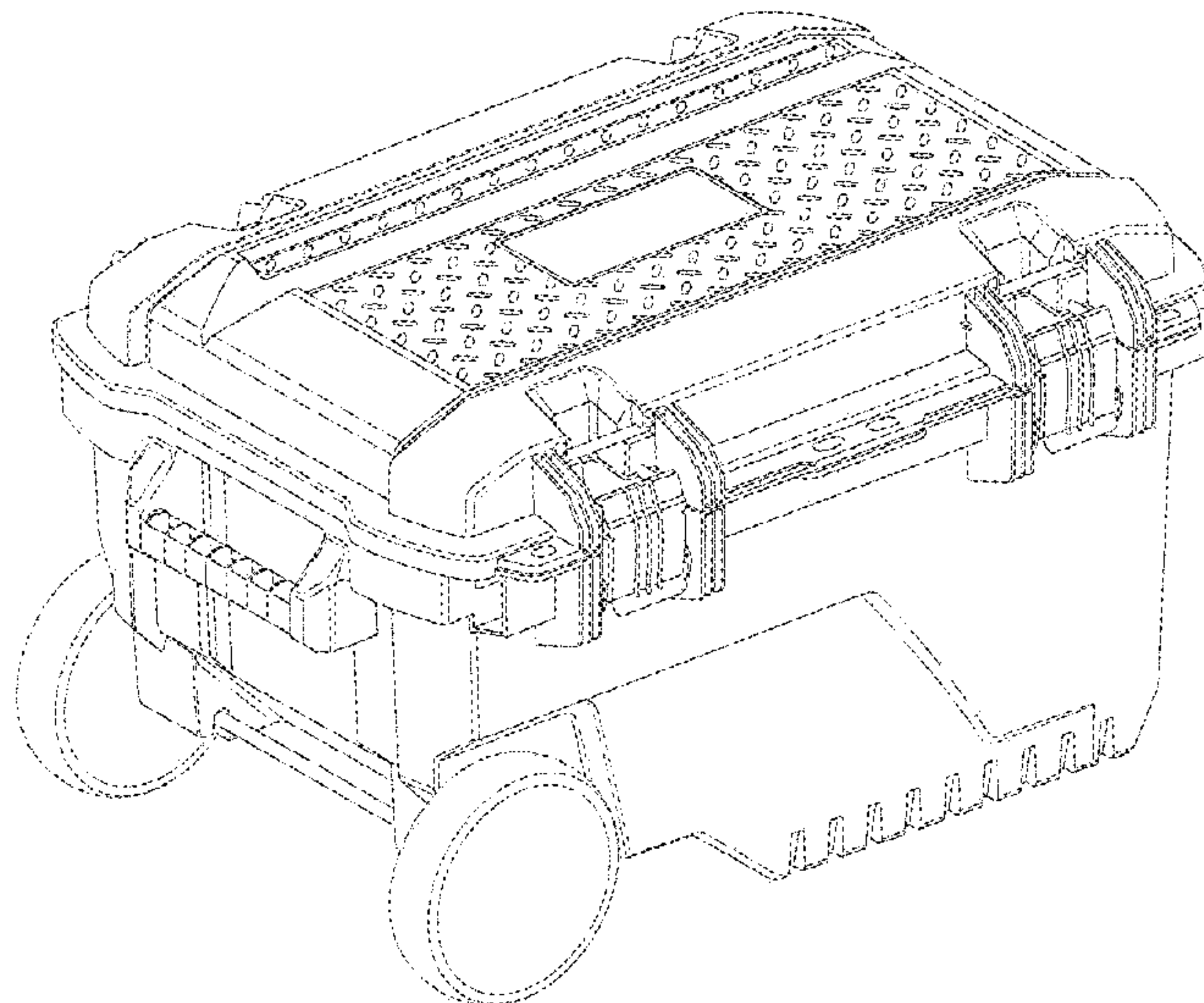
Primary Examiner — Jennifer Rivard
Assistant Examiner — April Rivas
(74) *Attorney, Agent, or Firm* — Gabriel A. Haboubi

(57) **CLAIM**
The ornamental design for a tool box, as shown and described.

DESCRIPTION

FIG. 1 is a perspective view of my new design;
FIG. 2 is a front view thereof;
FIG. 3 is a rear view thereof;
FIG. 4 is a left side view thereof;
FIG. 5 is a right side view thereof;
FIG. 6 is a top view thereof; and,
FIG. 7 is a bottom view thereof.
The broken lines illustrate disclaimed portions of the tool box and form no part of the claimed design.

1 Claim, 7 Drawing Sheets



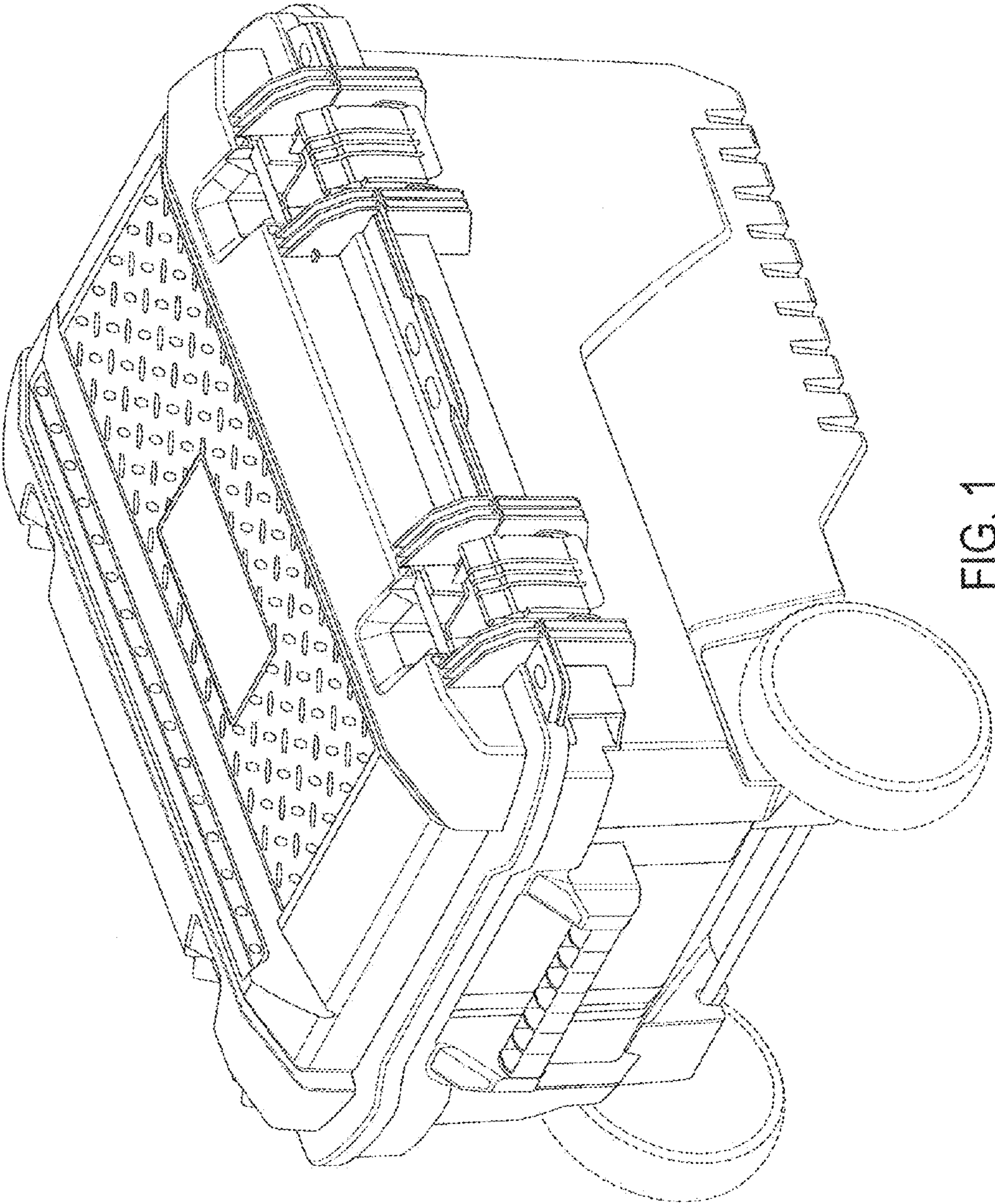


FIG. 1

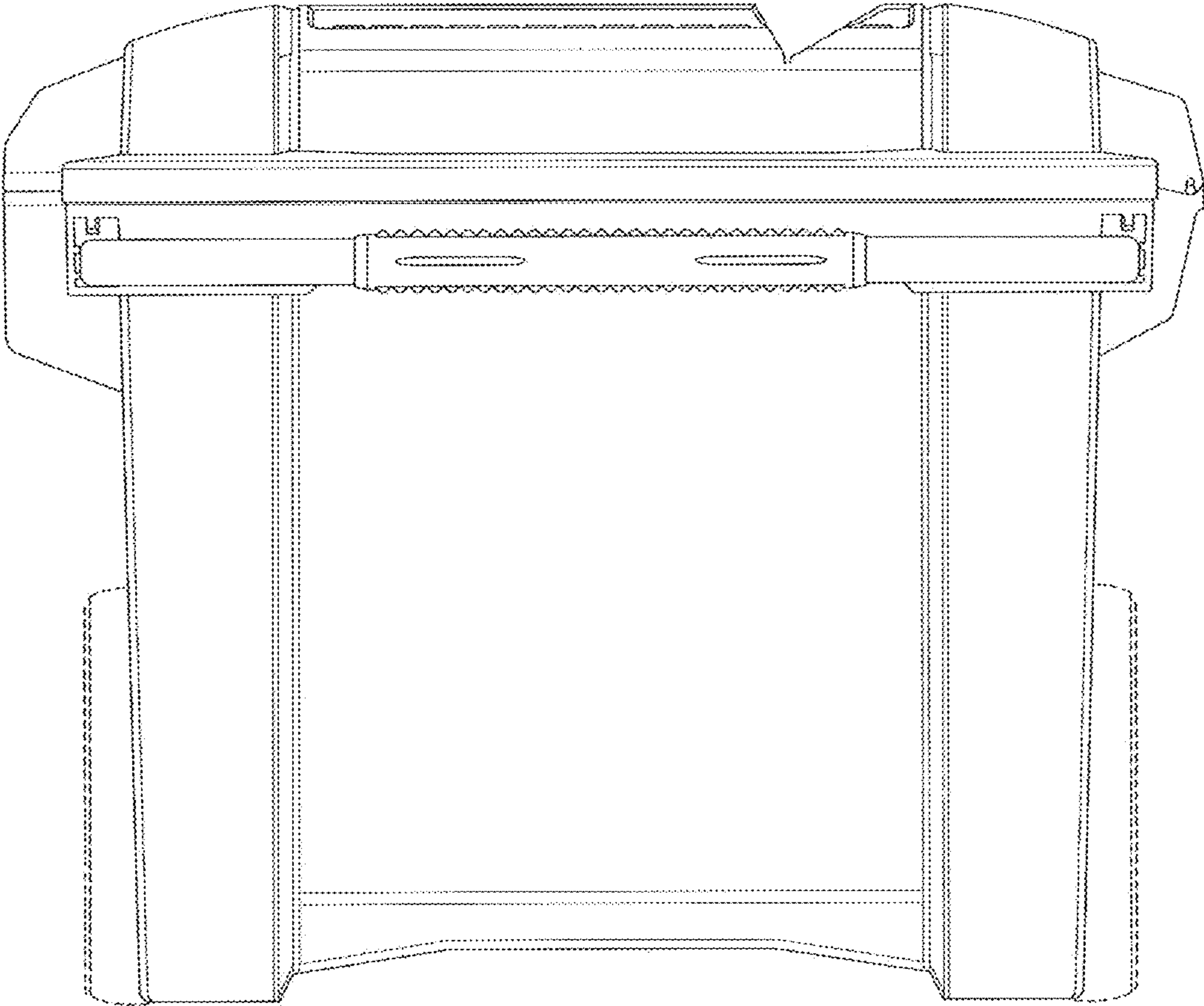


FIG. 2

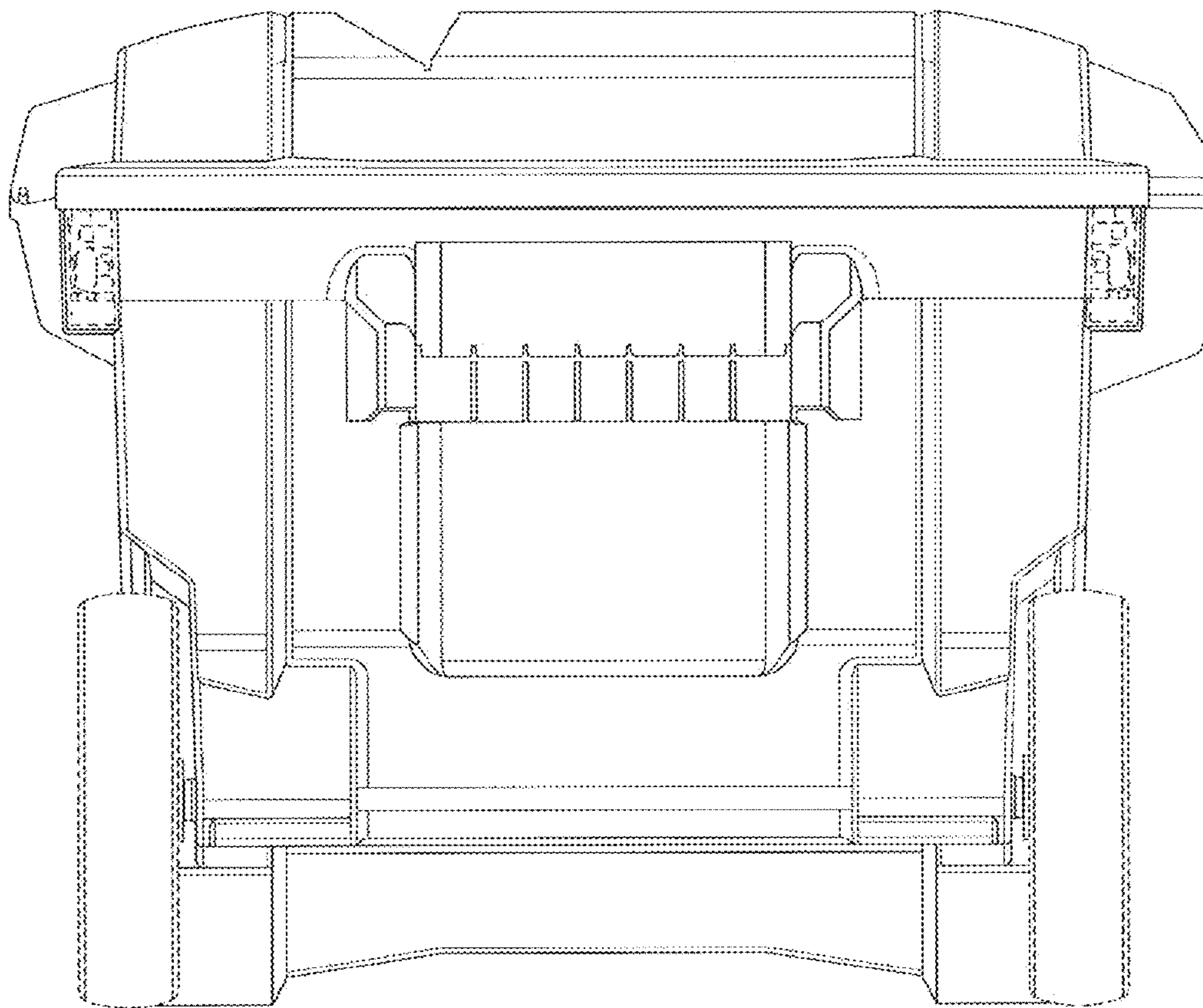


FIG. 3

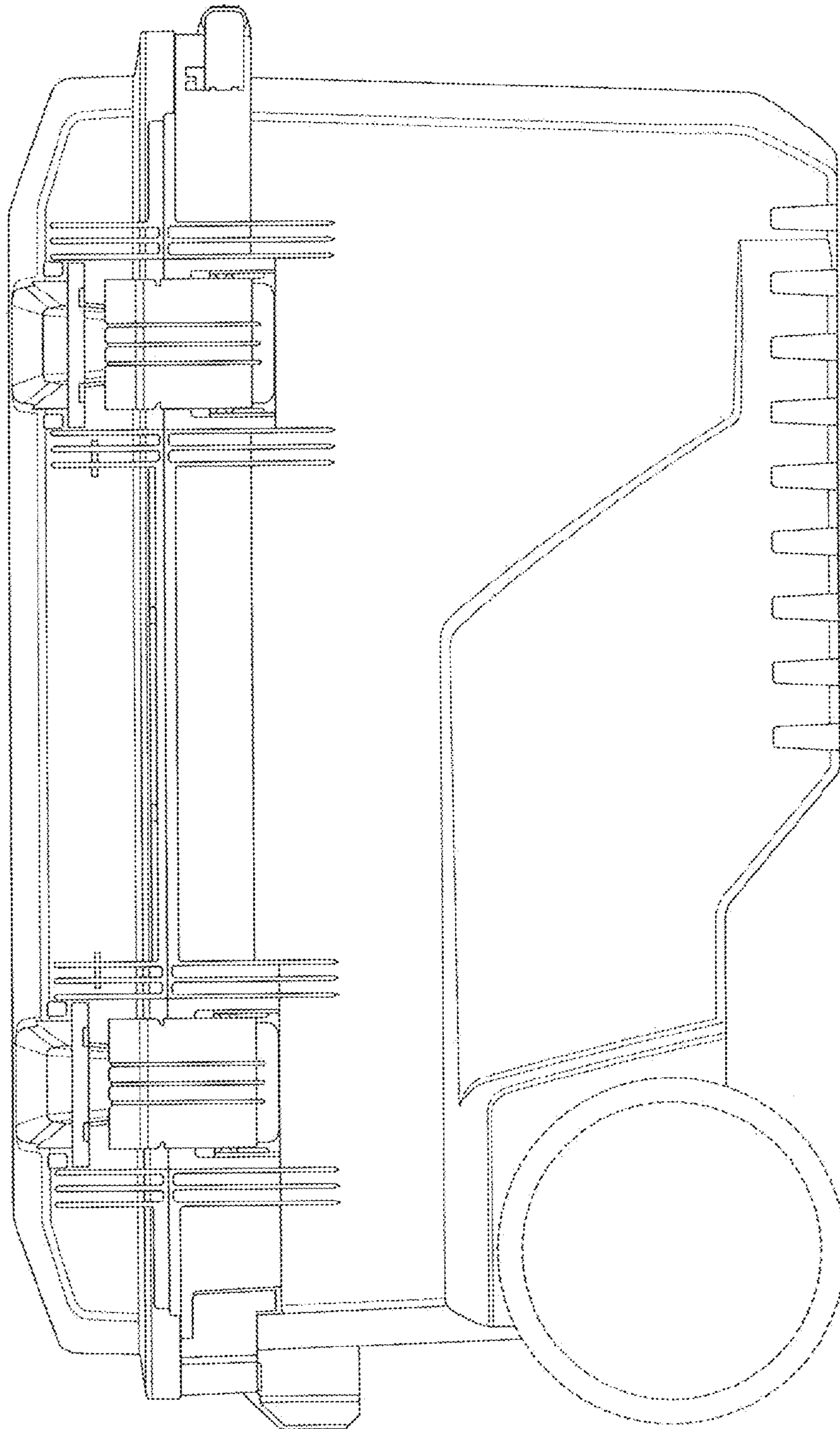


FIG. 4

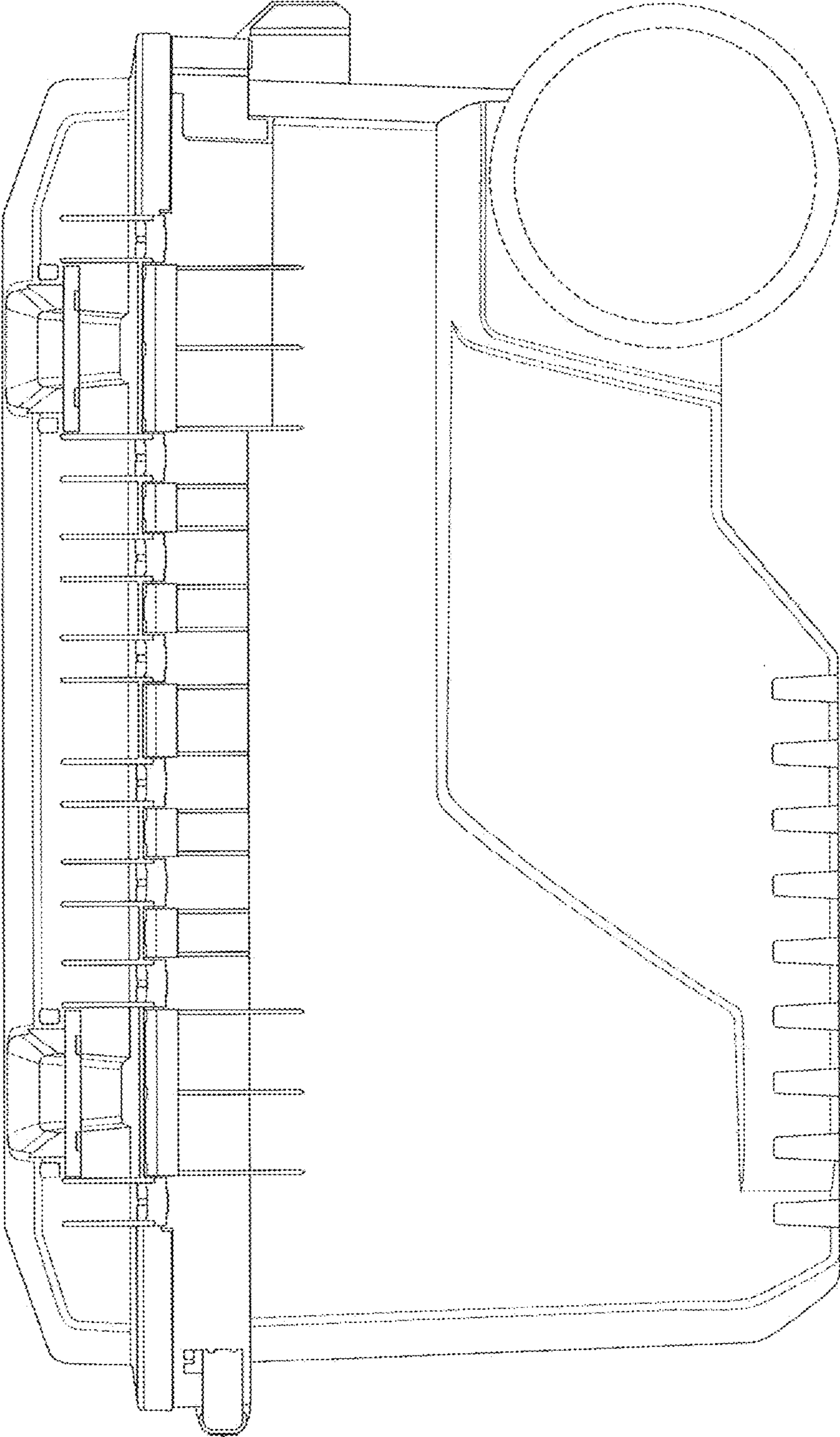


FIG. 5

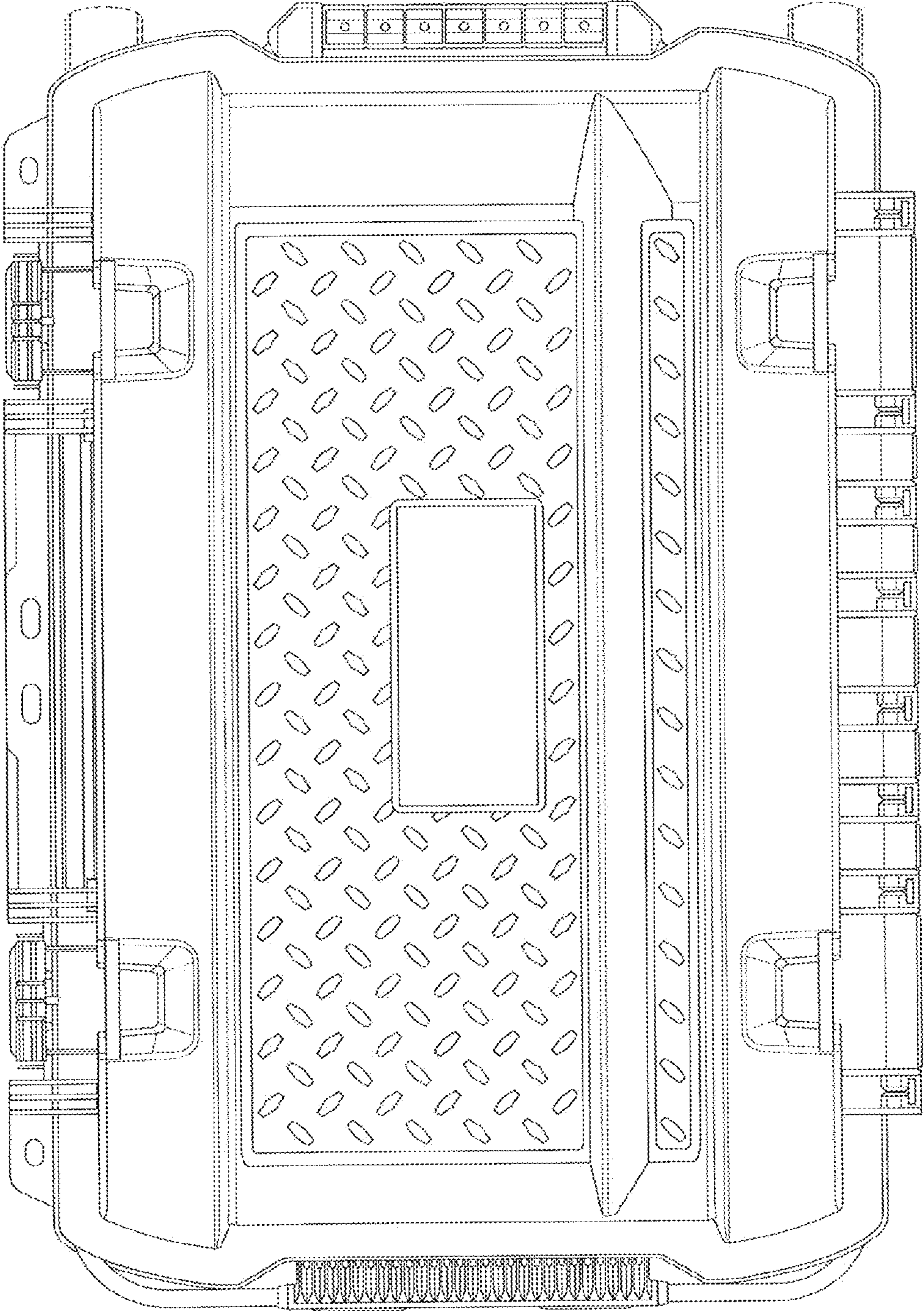


FIG. 6

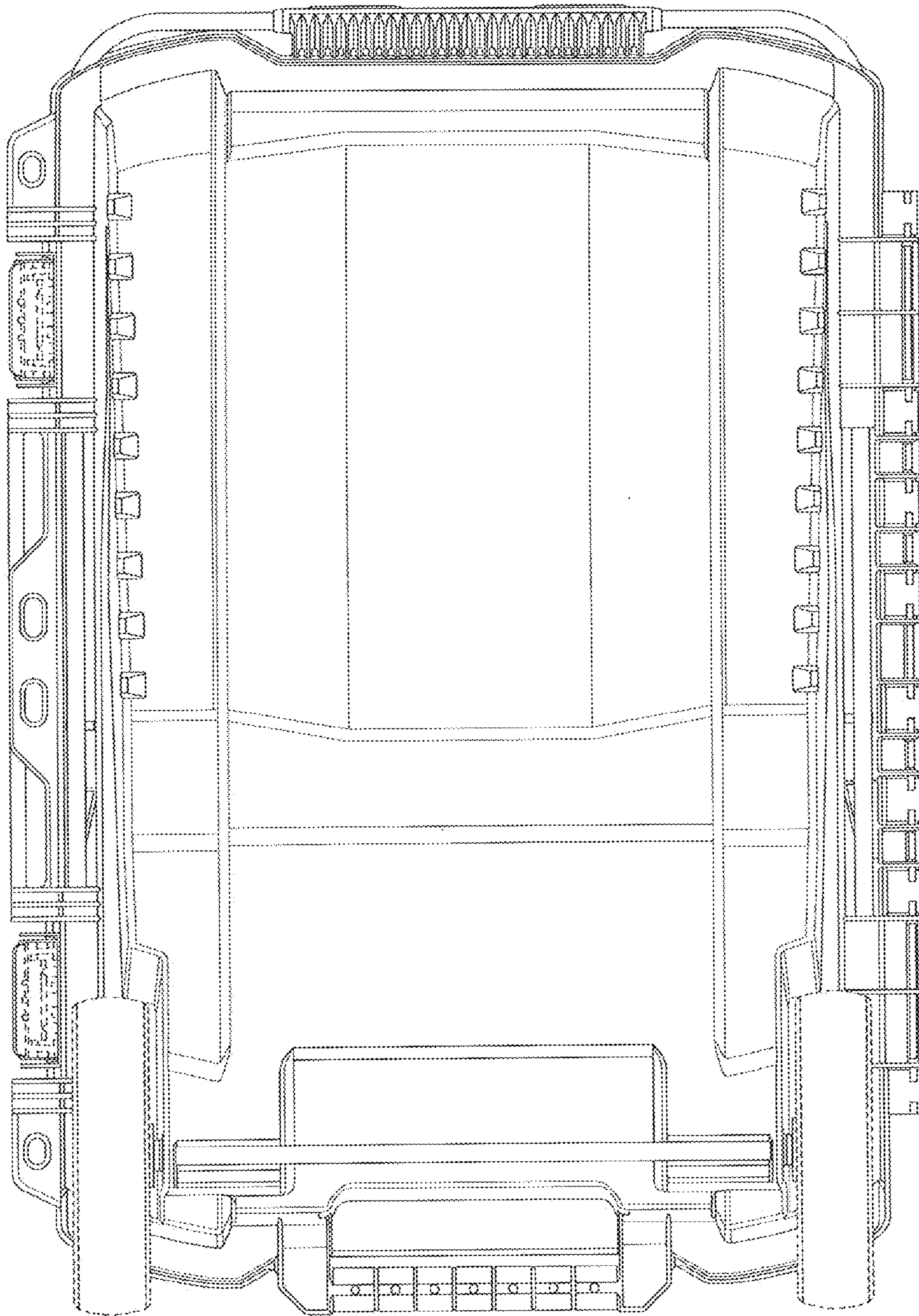


FIG. 7